



US00D340938S

# United States Patent [19]

[11] Patent Number: **Des. 340,938**

**Spaggiari**

[45] Date of Patent: **\*\* Nov. 2, 1993**

[54] **ACTUATOR FOR USE WITH CENTRAL LOCKING SYSTEMS CONTROLLING DOORS, TRUNK AND FUEL FILLER FLAP OF A MOTOR VEHICLE**

### FOREIGN PATENT DOCUMENTS

1263923	12/1989	Canada	70/264
1388490	3/1975	United Kingdom	70/237 R
2013773	8/1979	United Kingdom	70/264

[75] Inventor: **Alessandro Spaggiari, Correggio, Italy**

### OTHER PUBLICATIONS

SPAL S.r.L., "Universal Central Door Locking", Sep. 1991.

[73] Assignee: **SPAL S.r.l., Correggio, Italy**

*Primary Examiner*—Wallace R. Burke  
*Assistant Examiner*—Joel Sincavage  
*Attorney, Agent, or Firm*—Darby & Darby

[\*\*] Term: **14 Years**

### [57] CLAIM

[21] Appl. No.: **825,880**

The ornamental design for actuator for use with central locking systems controlling doors, trunk and fuel filler cap of a motor vehicle, as shown and described.

[22] Filed: **Jan. 27, 1992**

### DESCRIPTION

### [30] Foreign Application Priority Data

Aug. 29, 1991 [IT] Italy ..... B0910000046

[52] U.S. Cl. .... **D15/199**

[58] Field of Search ..... D8/330, 343; 70/237, 70/264, 280, DIG. 27, DIG. 30; 292/DIG. 3

FIG. 1 is a front and upper right perspective view of an actuator for use with central locking systems controlling doors, trunk and fuel filler flap of a motor vehicle showing my new design;

FIG. 2 is a front and upper left perspective view thereof;

FIG. 3 is a side elevation from right;

FIG. 4 is a plan view from beneath;

FIG. 5 is a side elevation from left;

FIG. 6 is a plan view from above;

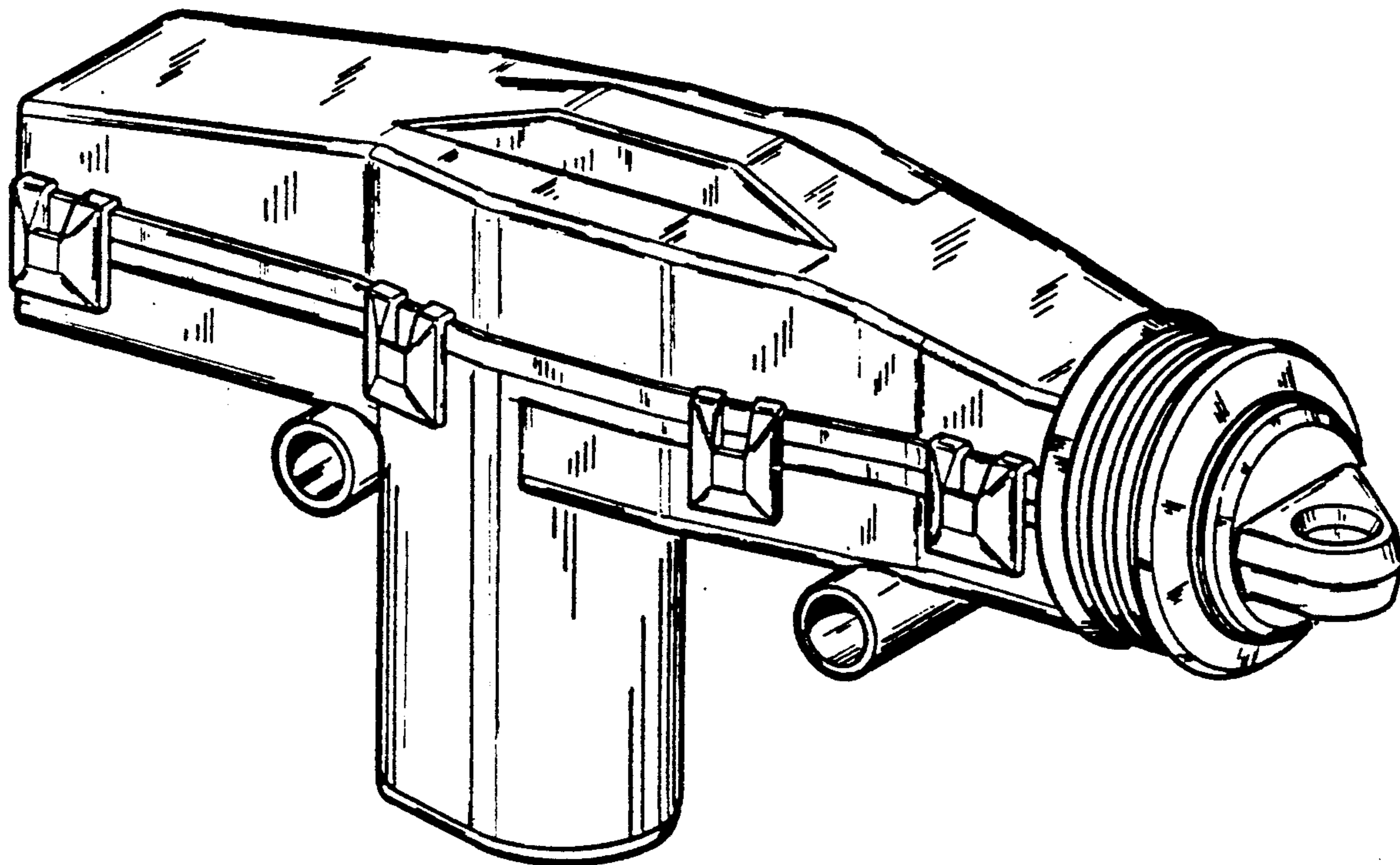
FIG. 7 is a front elevation; and,

FIG. 8 is a rear elevation.

### [56] References Cited

#### U.S. PATENT DOCUMENTS

4,342,209	8/1982	Kleefeldt	70/264
4,519,227	5/1985	Dumbser et al.	70/264
4,763,498	8/1988	Fey	70/264
5,004,931	4/1991	Chen	70/264 X



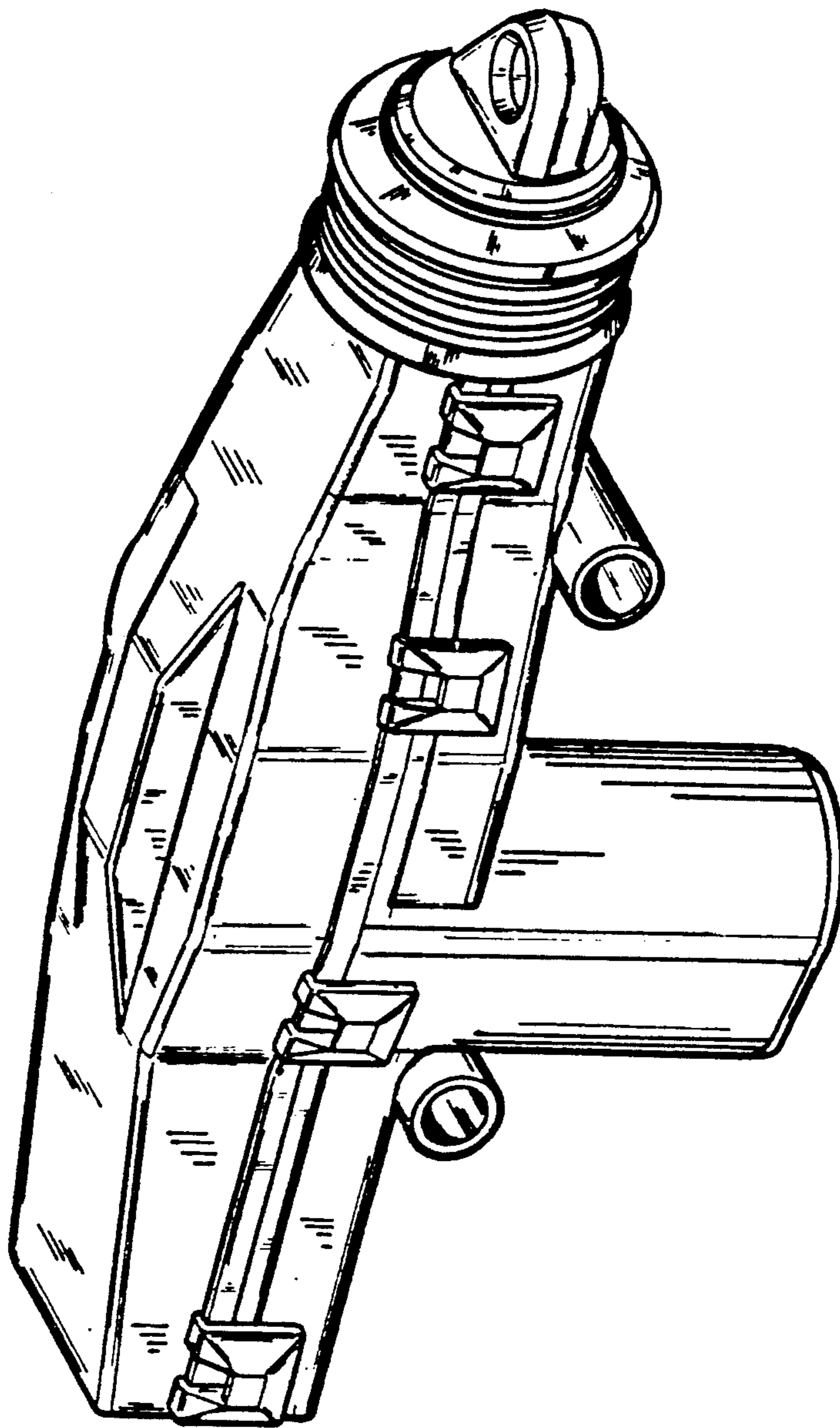


FIG 1

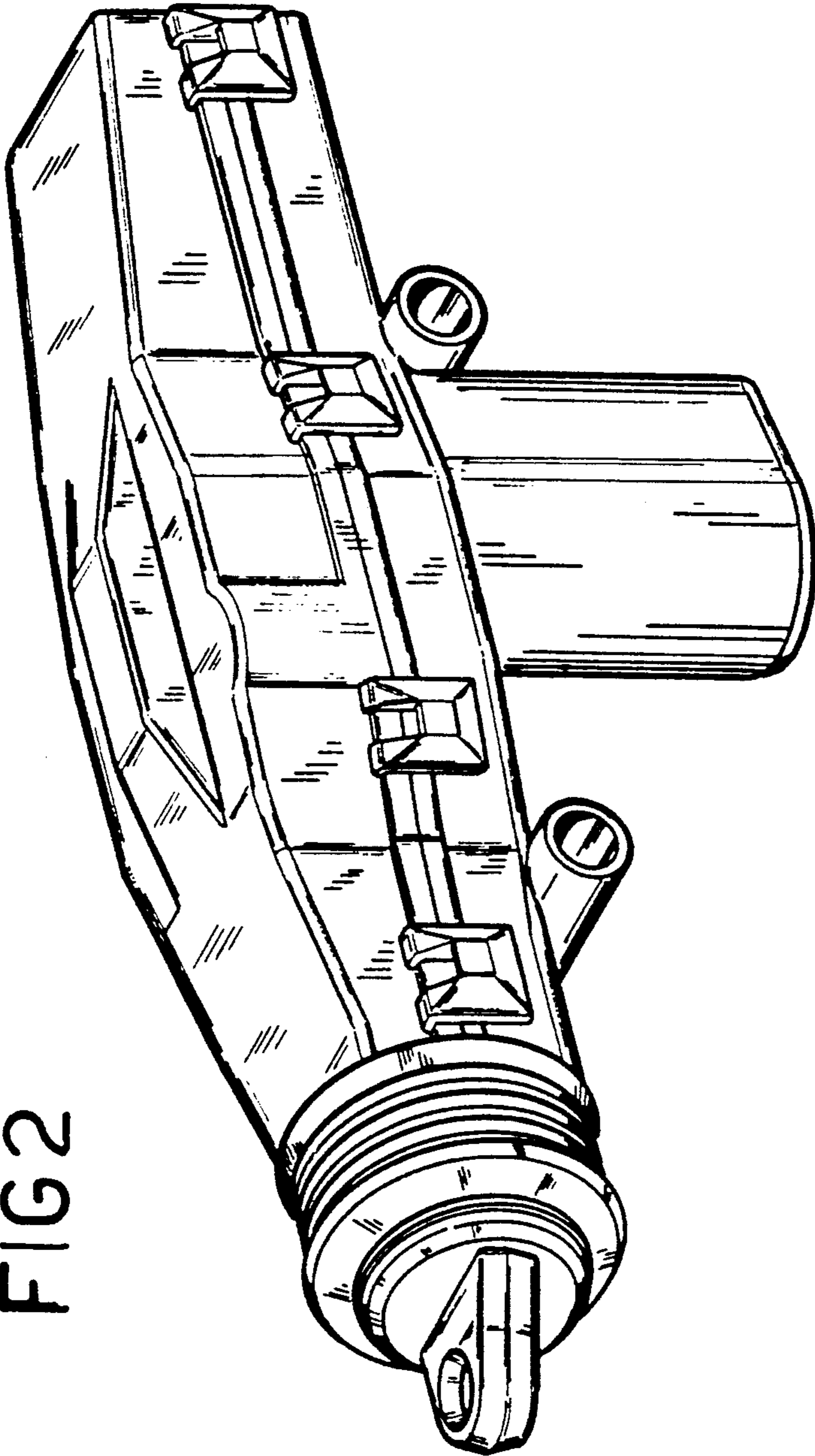


FIG 2

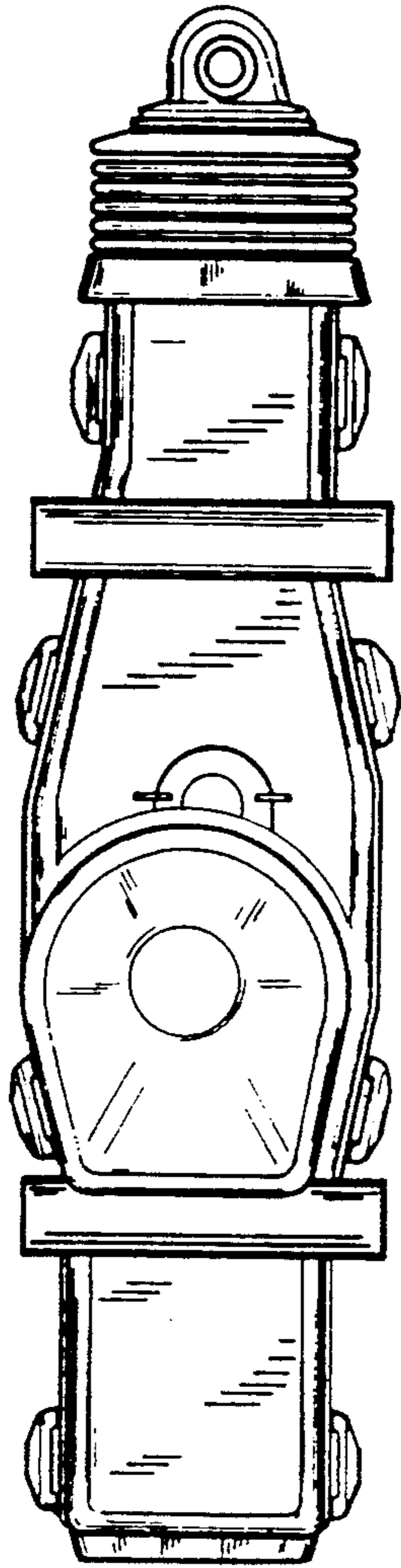


FIG 4

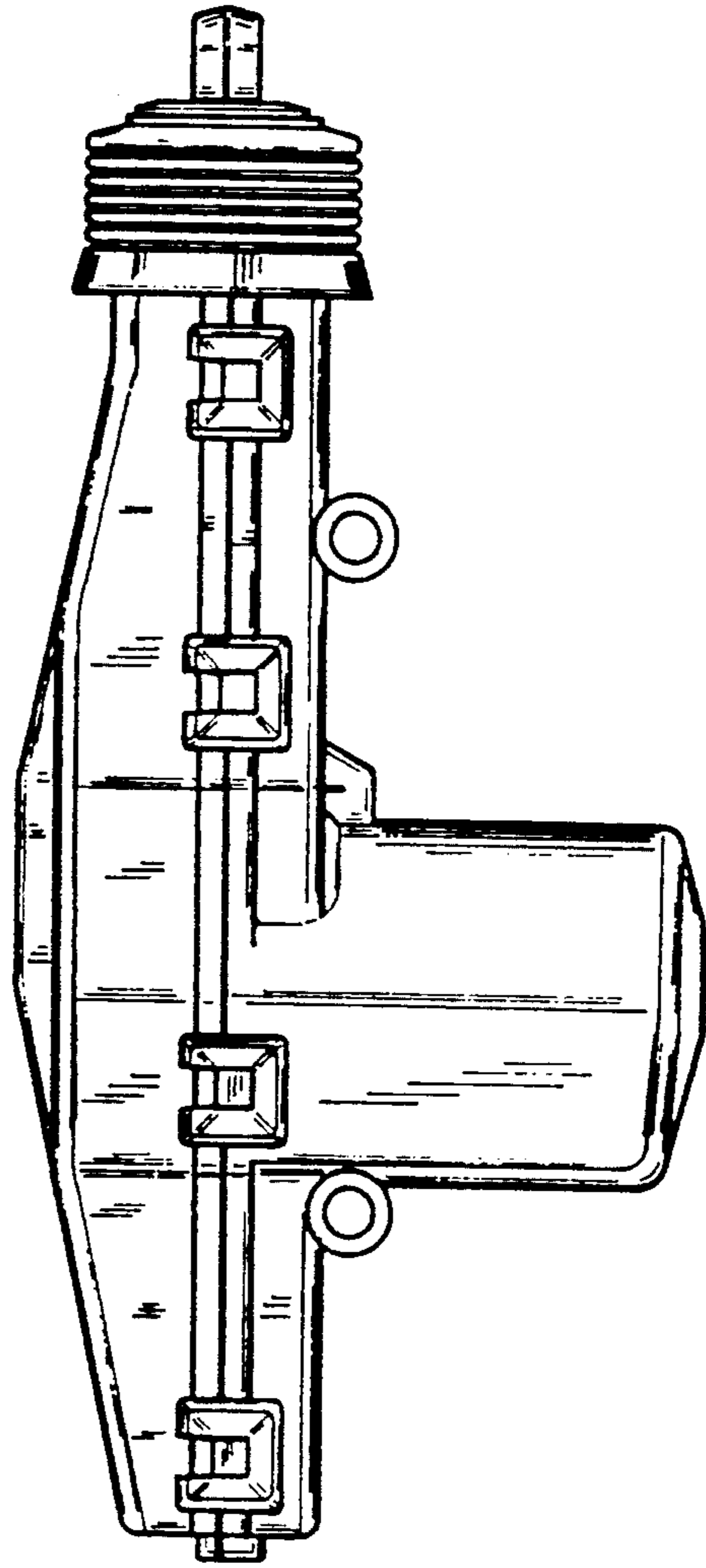


FIG 3

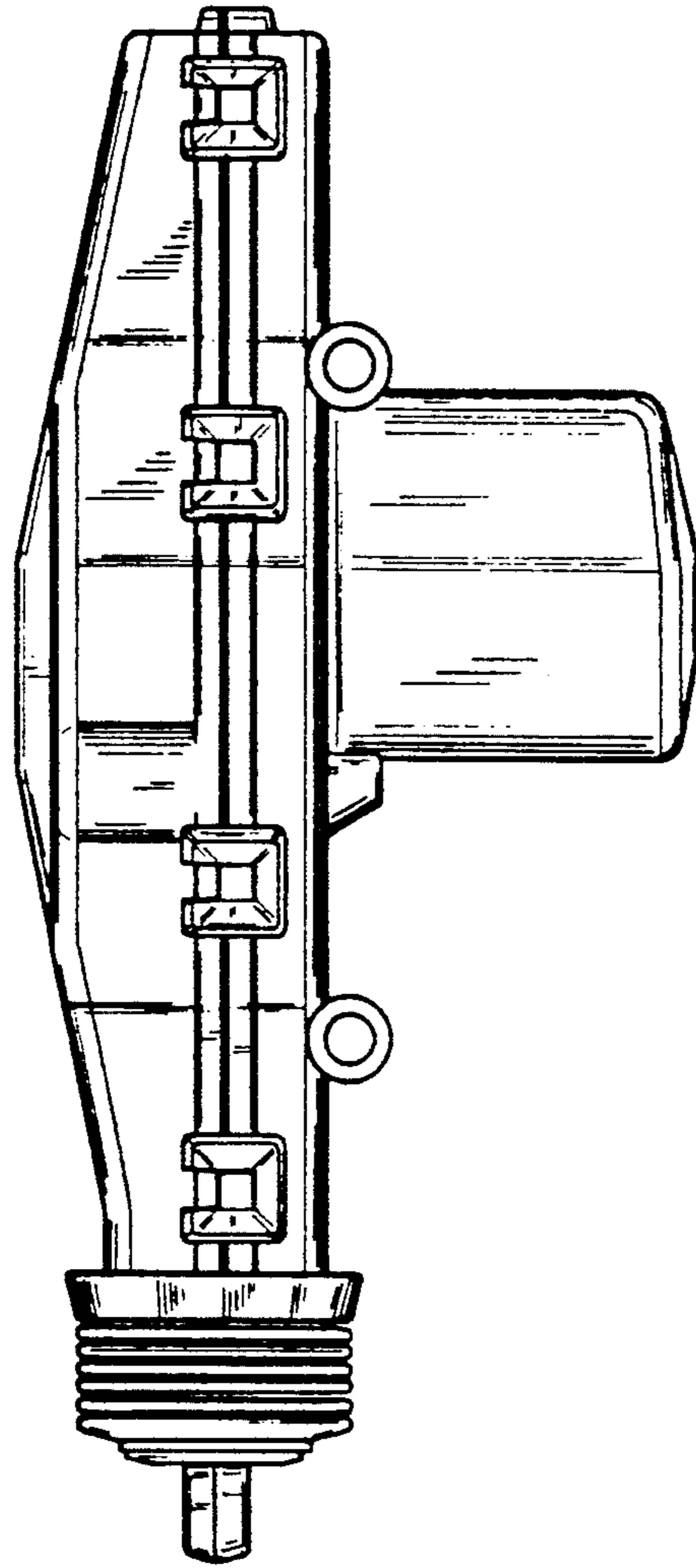


FIG 5

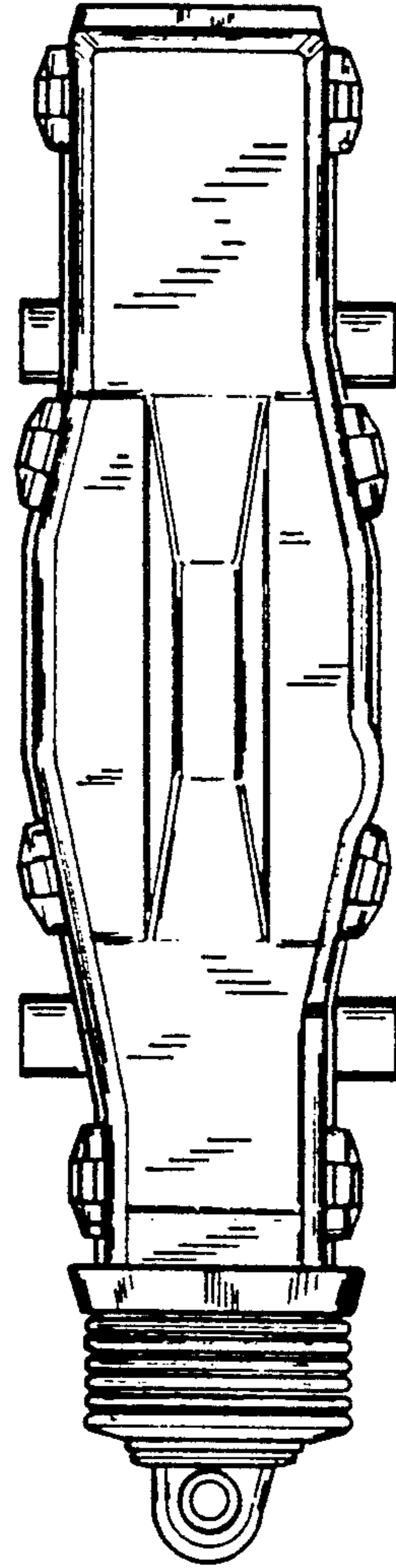


FIG 6

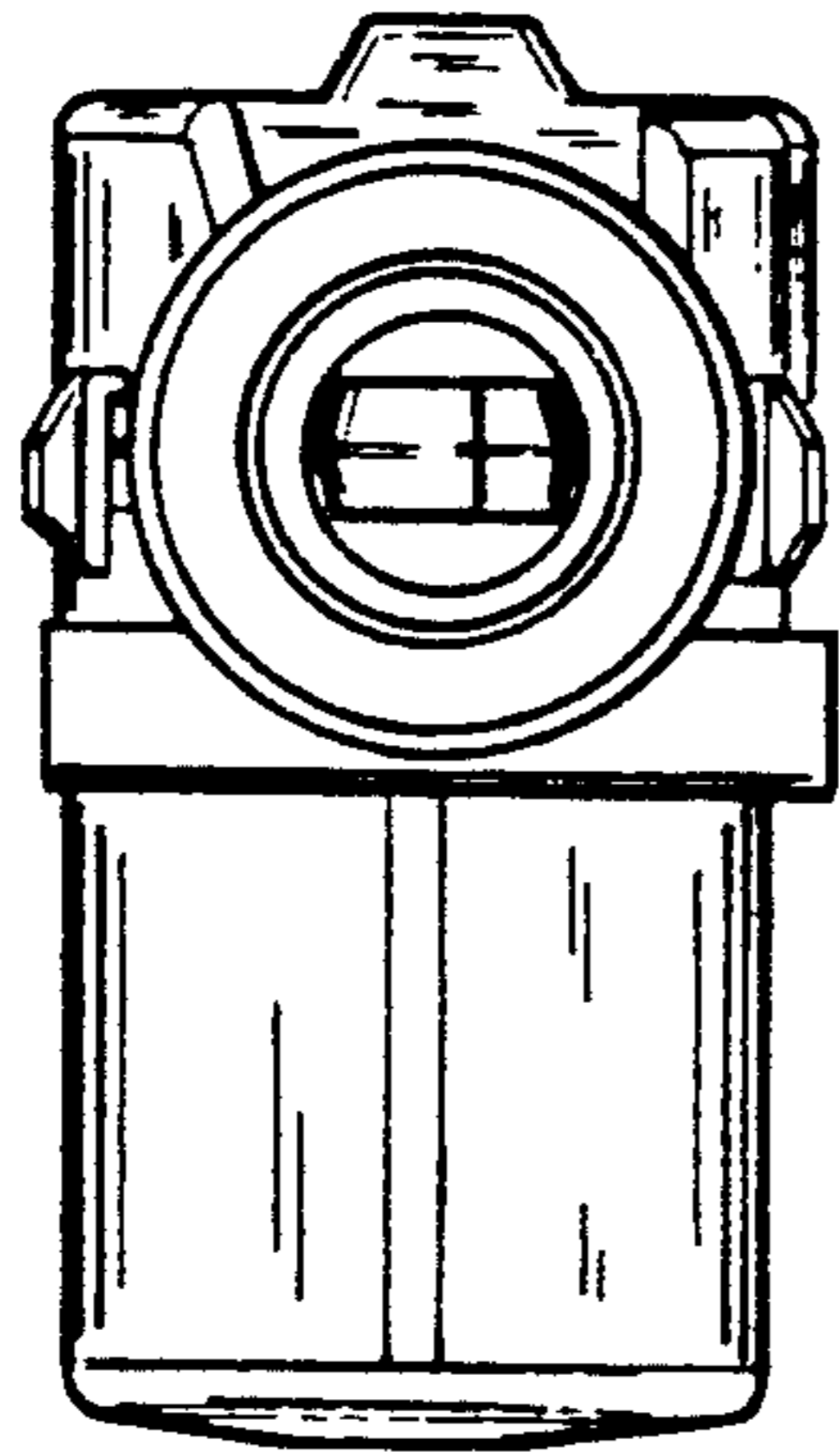


FIG 7

FIG 8

