



US00D340937S

United States Patent [19]

[11] Patent Number: **Des. 340,937**

Seger et al.

[45] Date of Patent: **** Nov. 2, 1993**

[54] SEALING APPARATUS

[75] Inventors: **Eric S. Seger, Wantagh; Edward A. Kozloski, Babylon, both of N.Y.**

[73] Assignee: **Enercon Industries Corporation, Menomonee Falls, Wis.**

[**] Term: **14 Years**

[21] Appl. No.: **695,861**

[22] Filed: **May 6, 1991**

[52] U.S. Cl. **D15/146**

[58] Field of Search **D15/145, 146; 53/292, 53/295, 410, 420, 421, 422, 476, 477, 478, 479, 485-491; 215/232**

[56] References Cited

U.S. PATENT DOCUMENTS

D. 233,066 10/1974 Blair **D15/146**

OTHER PUBLICATIONS

Undated, two page brochure by me.ro SRL entitled "Solid State Induction Cap Sealing Generator".

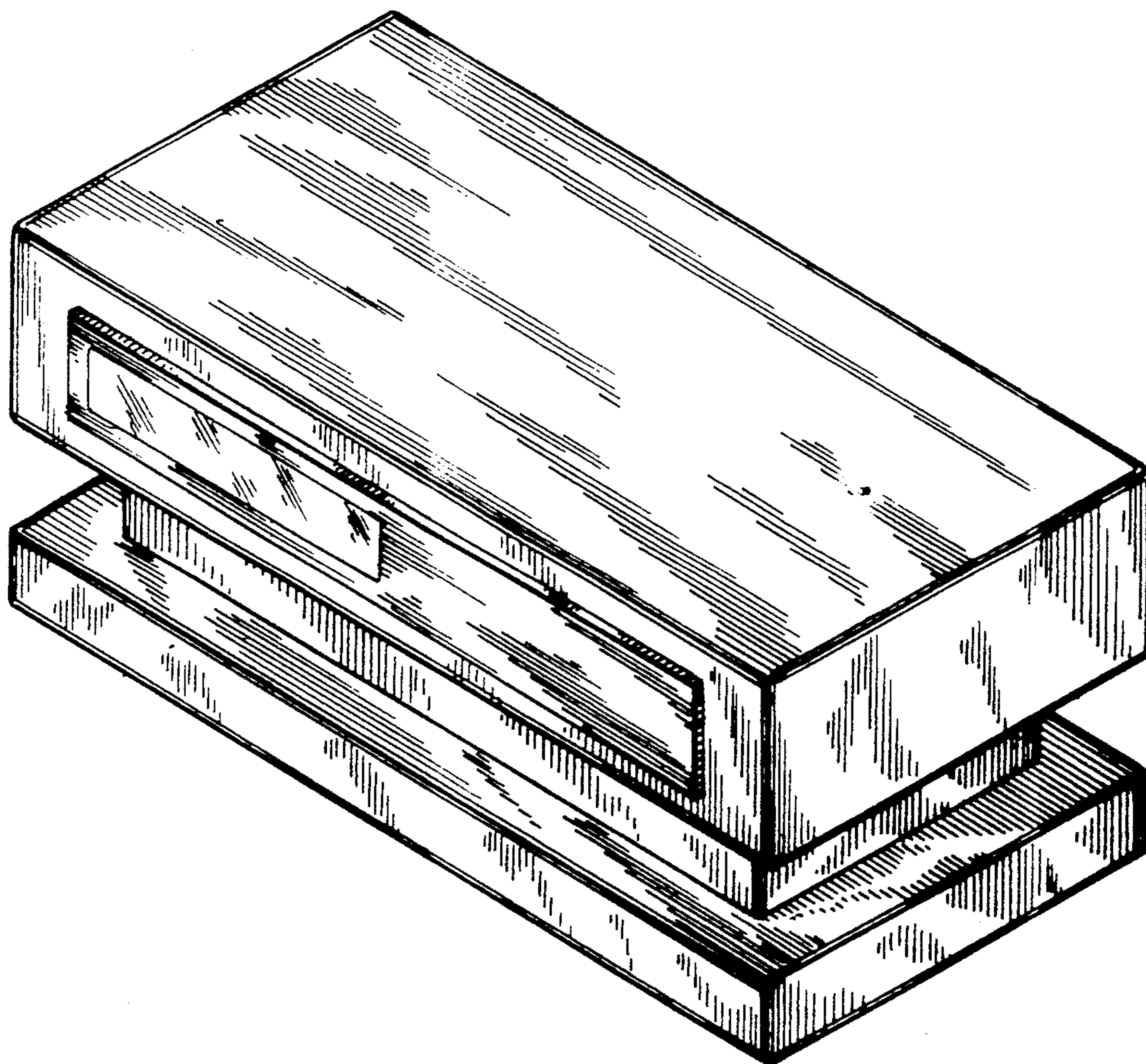
Primary Examiner—Alan P. Douglas
Assistant Examiner—Antoine D. Davis
Attorney, Agent, or Firm—Quarles & Brady

[57] CLAIM

The ornamental design for a sealing apparatus, as shown and described.

DESCRIPTION

FIG. 1 is a top perspective view of a sealing apparatus showing our new design;
FIG. 2 is a front elevational view thereof;
FIG. 3 is a left end elevational view thereof, the right end elevational view being a mirror image thereof;
FIG. 4 is a top plan view thereof;
FIG. 5 is a back elevational view thereof;
FIG. 6 is a bottom plan view thereof;
FIG. 7 is a top perspective view of a second embodiment of our new design; and,
FIG. 8 is a back elevational view thereof.
The broken line showing of indicia is for illustrative purposes only and forms no part of the claimed design.



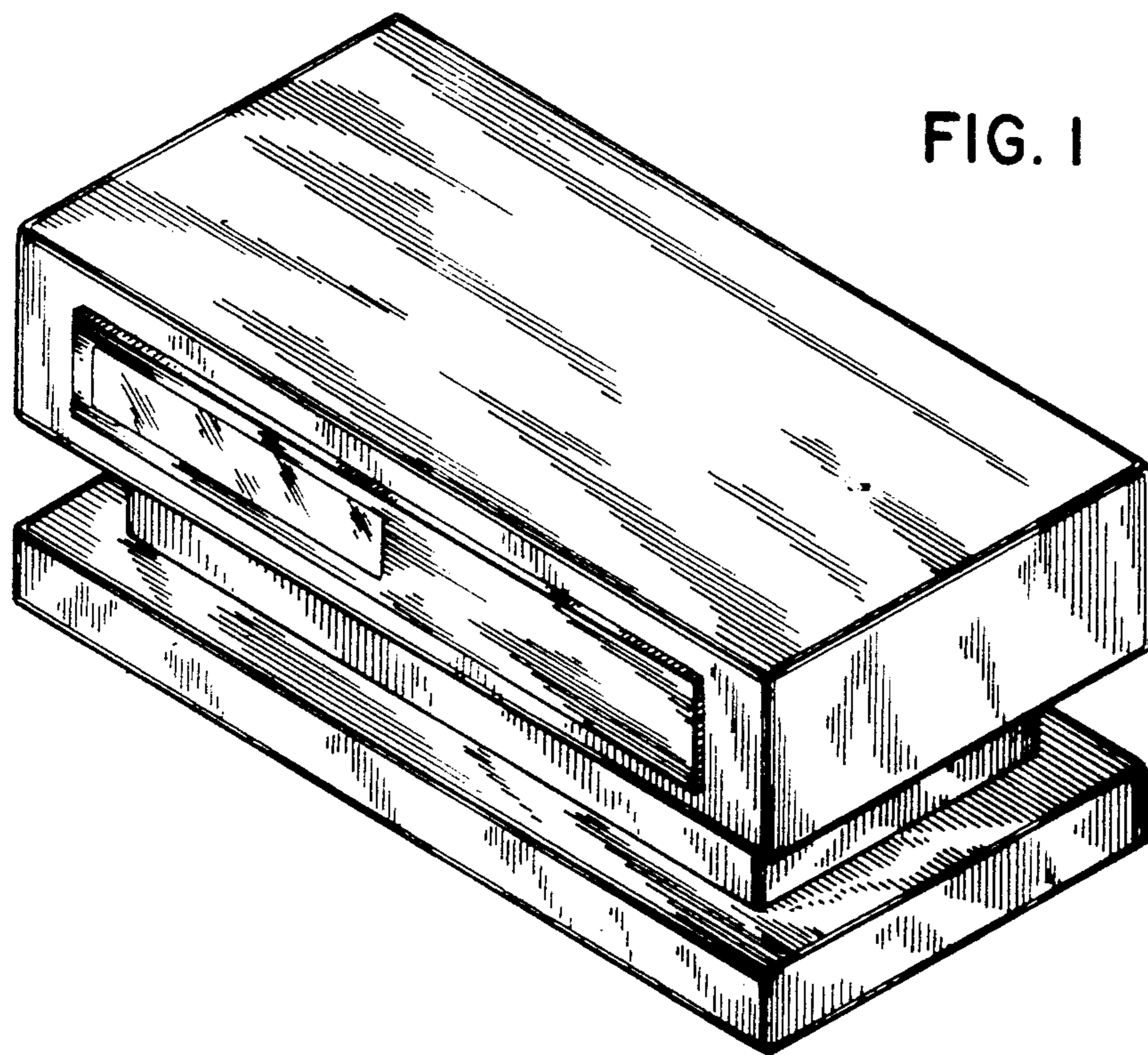


FIG. 1

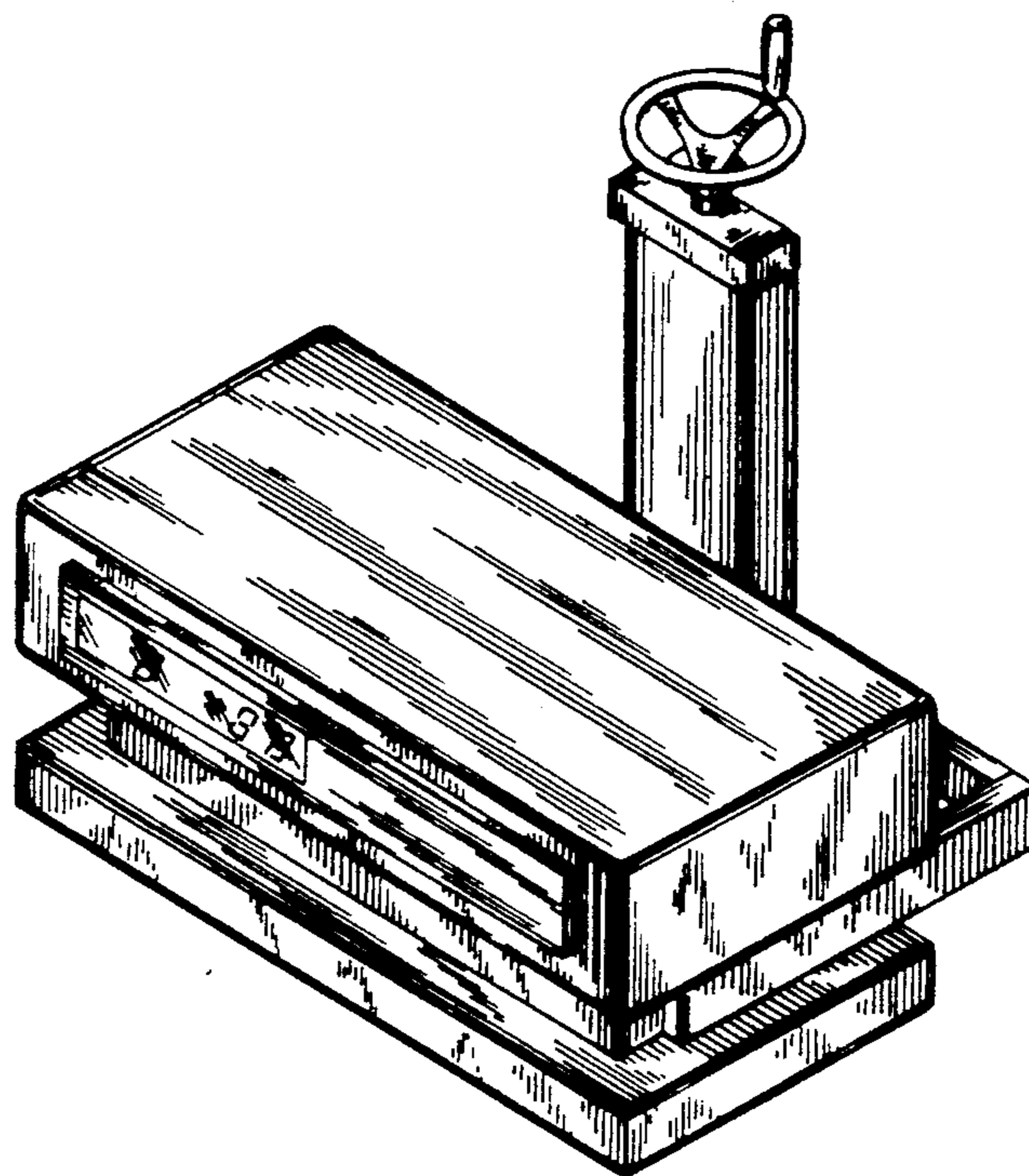


FIG. 7

FIG. 2

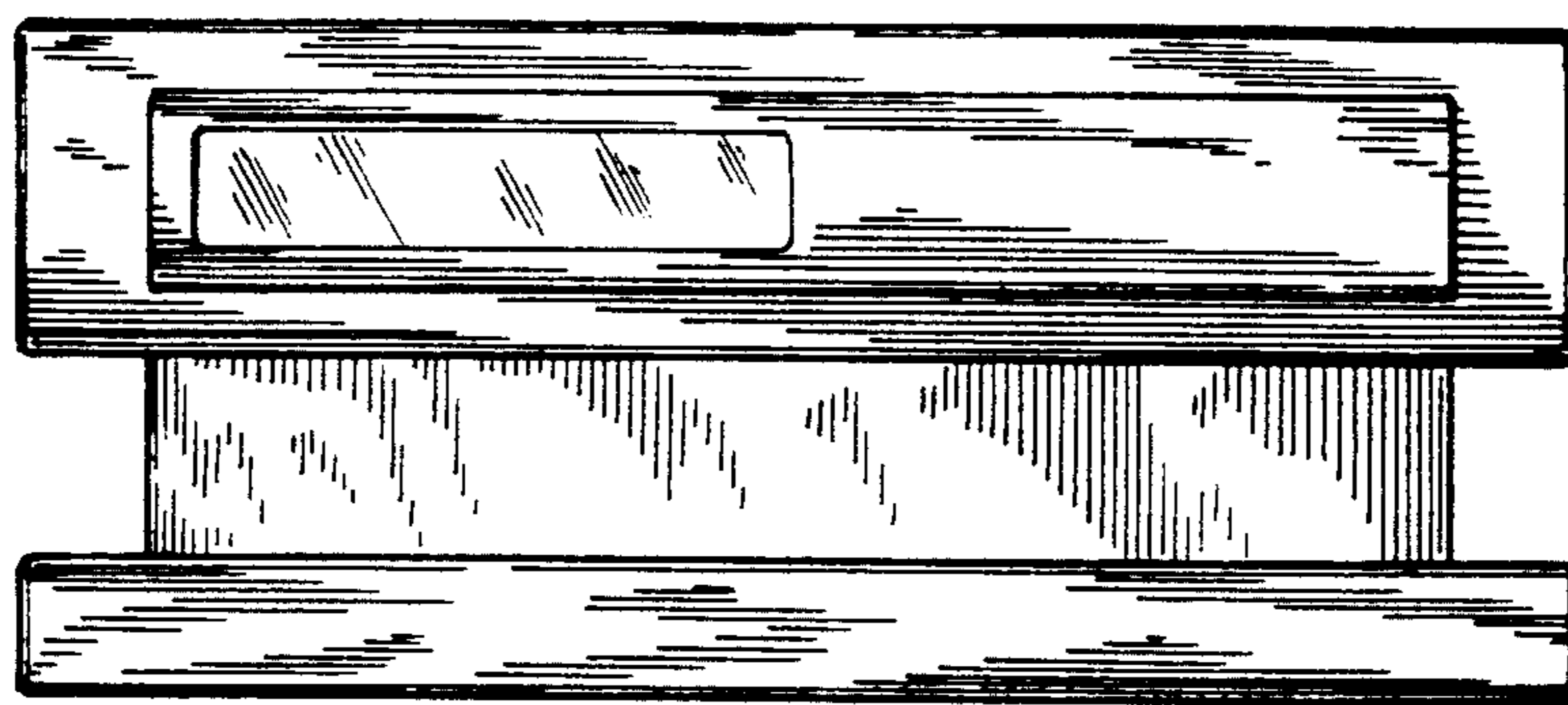


FIG. 3

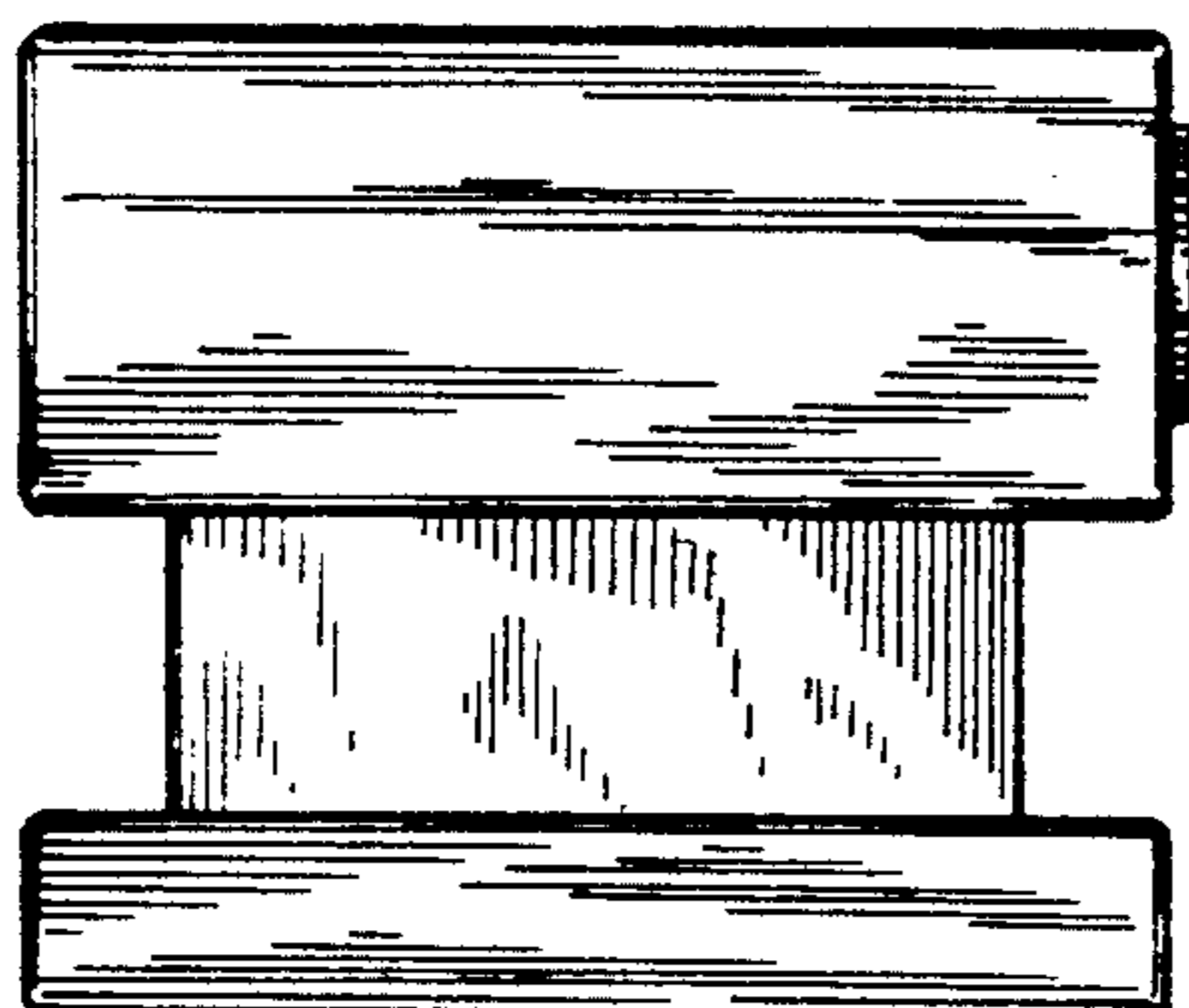


FIG. 4

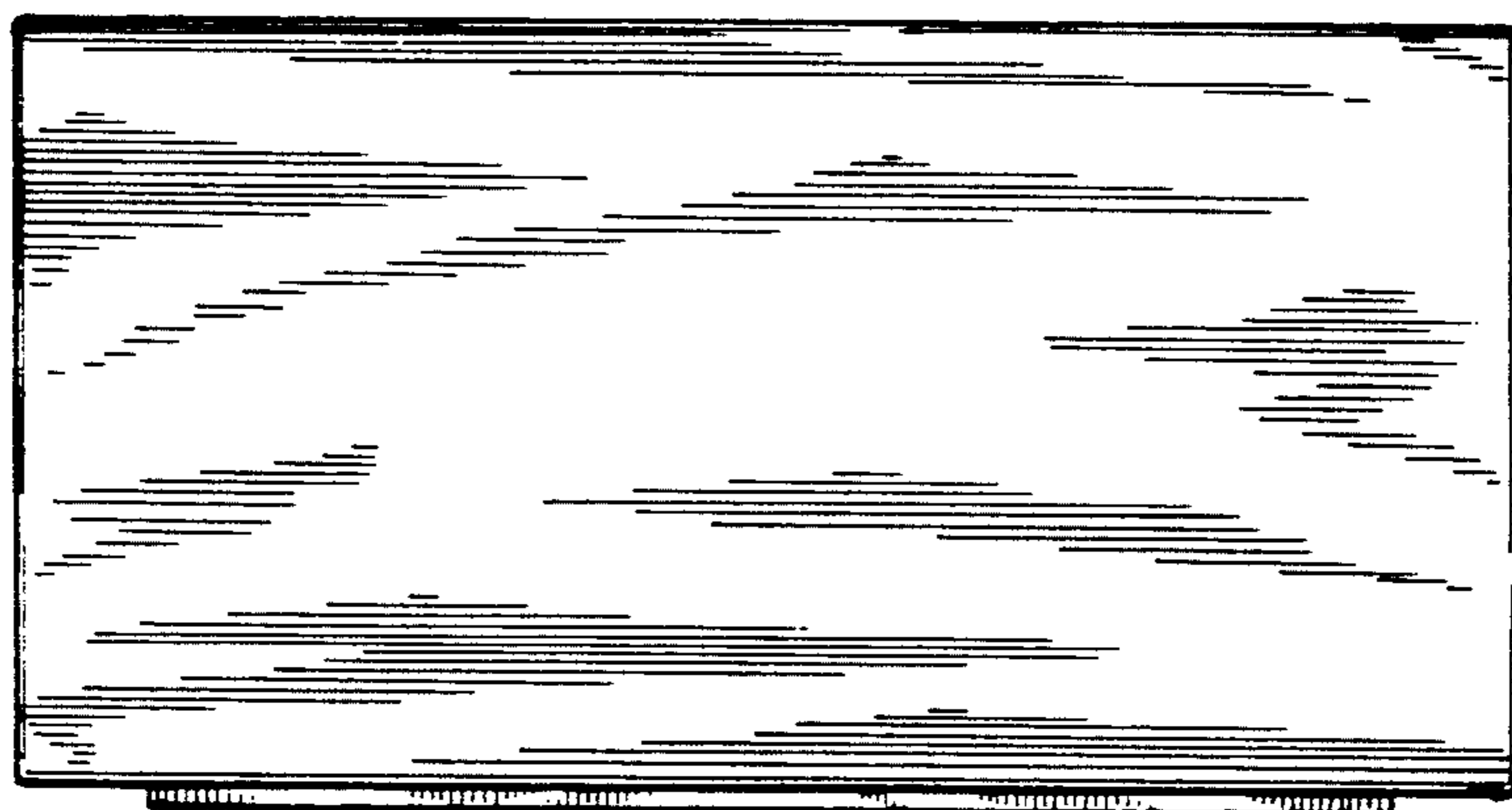
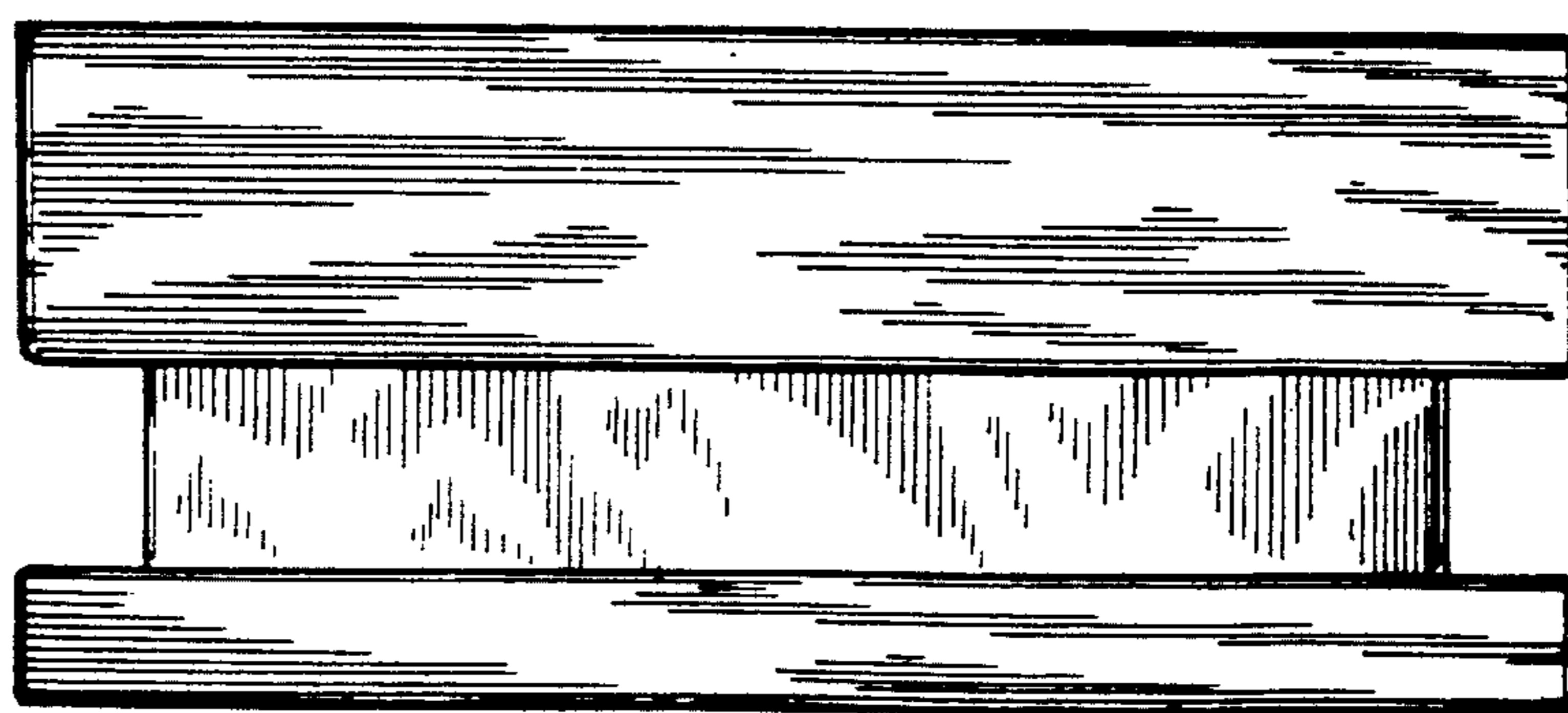


FIG. 5



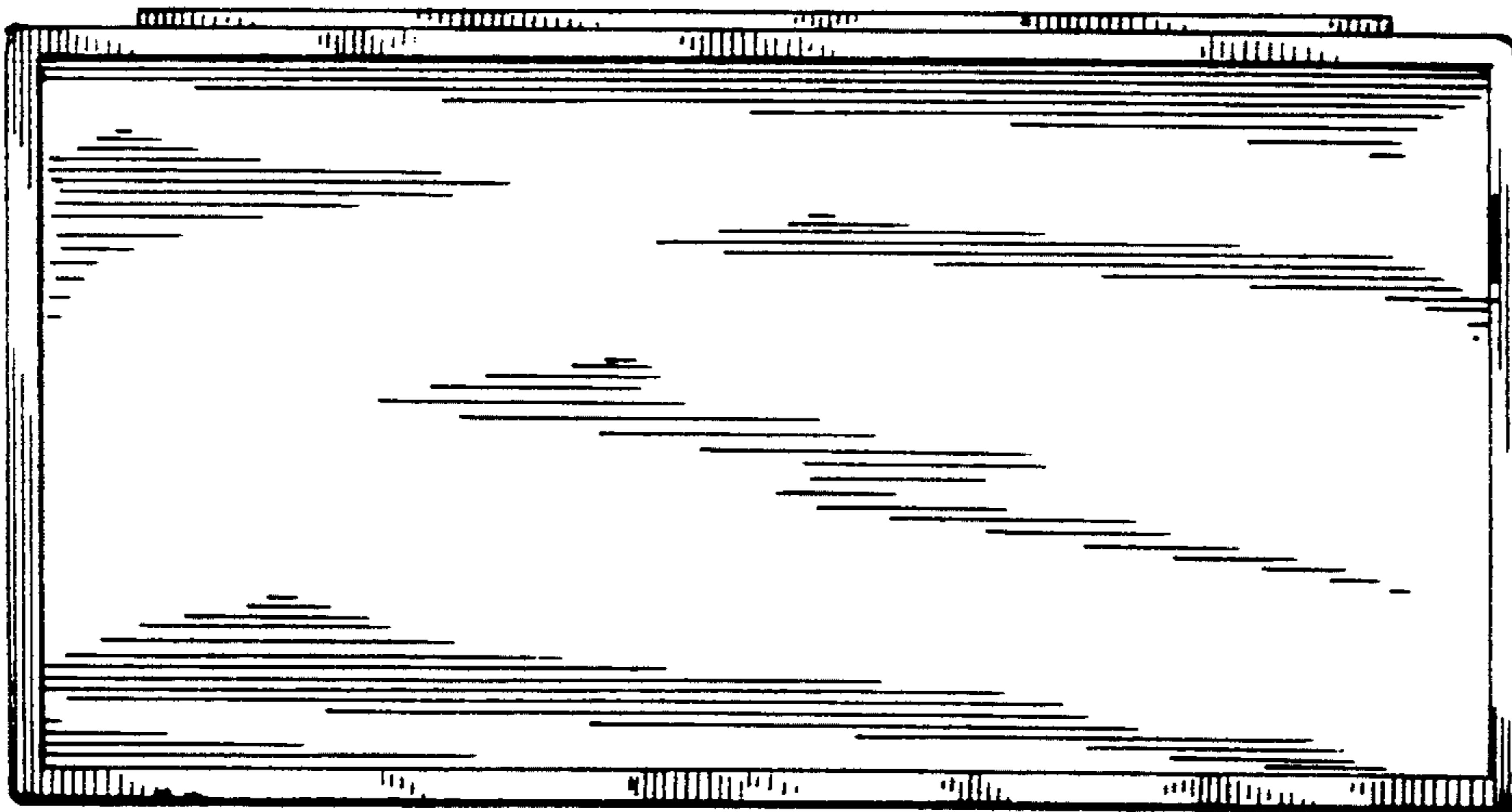


FIG. 6

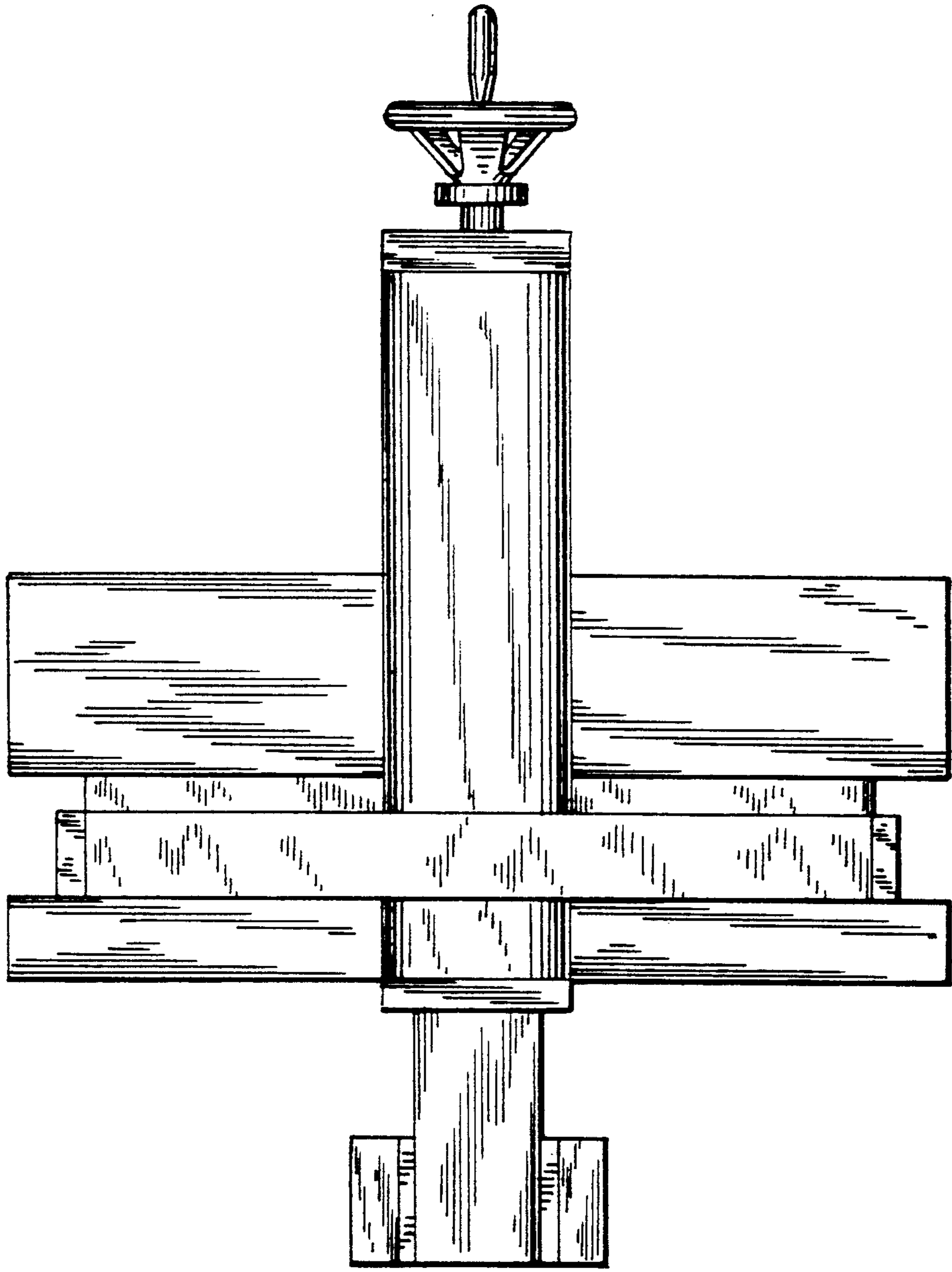


FIG. 8