



US00D340935S

United States Patent [19]

[11] Patent Number: **Des. 340,935**

Morgan et al.

[45] Date of Patent: **** Nov. 2, 1993**

[54] **CUTTING TOOL HAVING A PLURALITY OF CUTTING BLADES**

5,184,925 2/1993 Woods et al. 408/713 X

[76] Inventors: **Ricky D. Morgan**, P.O. Box 42, Milan, Pa. 18831; **Phillip D. Wurzler**, P.O. Box 67A, 2nd St., Laceyville, Pa. 18623; **Walter J. Zatkos, Jr.**, 107 Pratt Ave., Towanda, Pa. 18848

Primary Examiner—Alan P. Douglas
Assistant Examiner—Antoine D. Davis
Attorney, Agent, or Firm—Elizabeth A. Levy

[**] Term: **14 Years**

[57] **CLAIM**

[21] Appl. No.: **942,496**

The ornamental design for a cutting tool having a plurality of cutting blades, as shown and described.

[22] Filed: **Sep. 9, 1992**

DESCRIPTION

[52] U.S. Cl. **D15/138**

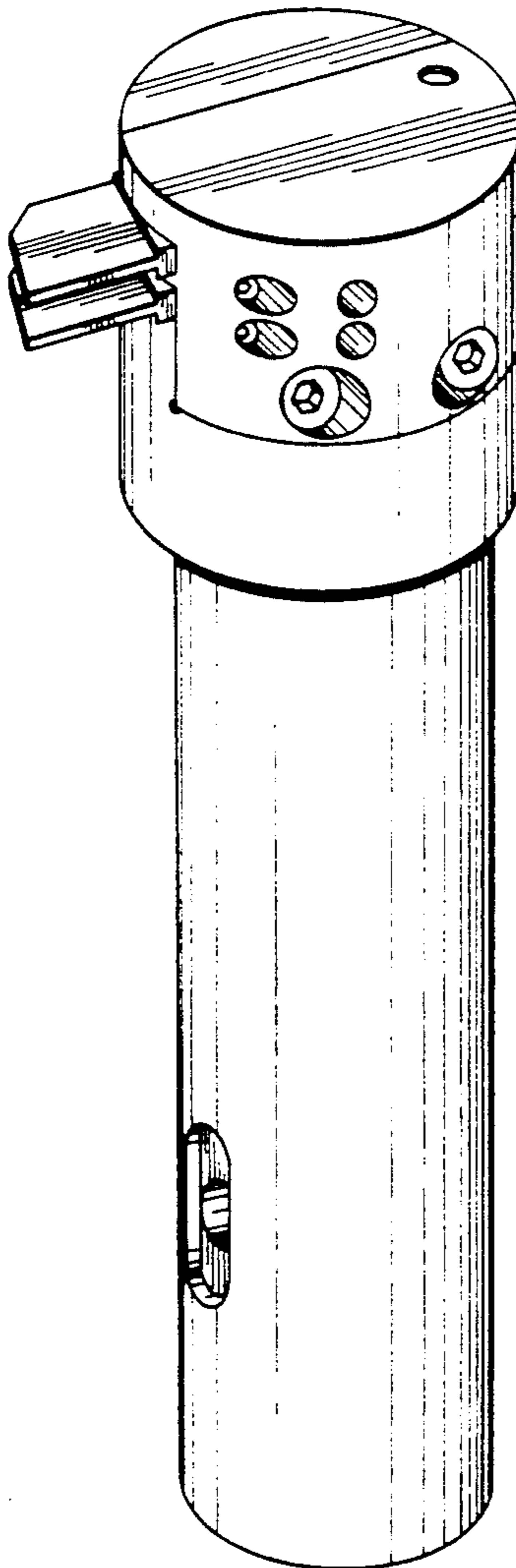
FIG. 1 is a perspective view of a cutting tool having a plurality of cutting blades illustrating our new design; FIG. 2 is a side elevation view of the cutting tool having a plurality of cutting blades; FIG. 3 is a similar side elevation view, with the cutting tool having a plurality of cutting blades rotated about 180 degrees; FIG. 4 is a top plan view of the cutting tool having a plurality of cutting blades; and, FIG. 5 is a bottom plan view of the cutting tool having a plurality of cutting blades.

[58] Field of Search D15/138, 139; 30/353, 30/356; 82/171, 172, 173; 408/215-230, 713

[56] **References Cited**

U.S. PATENT DOCUMENTS

- D. 330,379 10/1992 Hoover D15/126 X
- 4,813,824 3/1989 Grunsky 408/713 X
- 4,984,943 1/1991 Hamilton 408/713 X



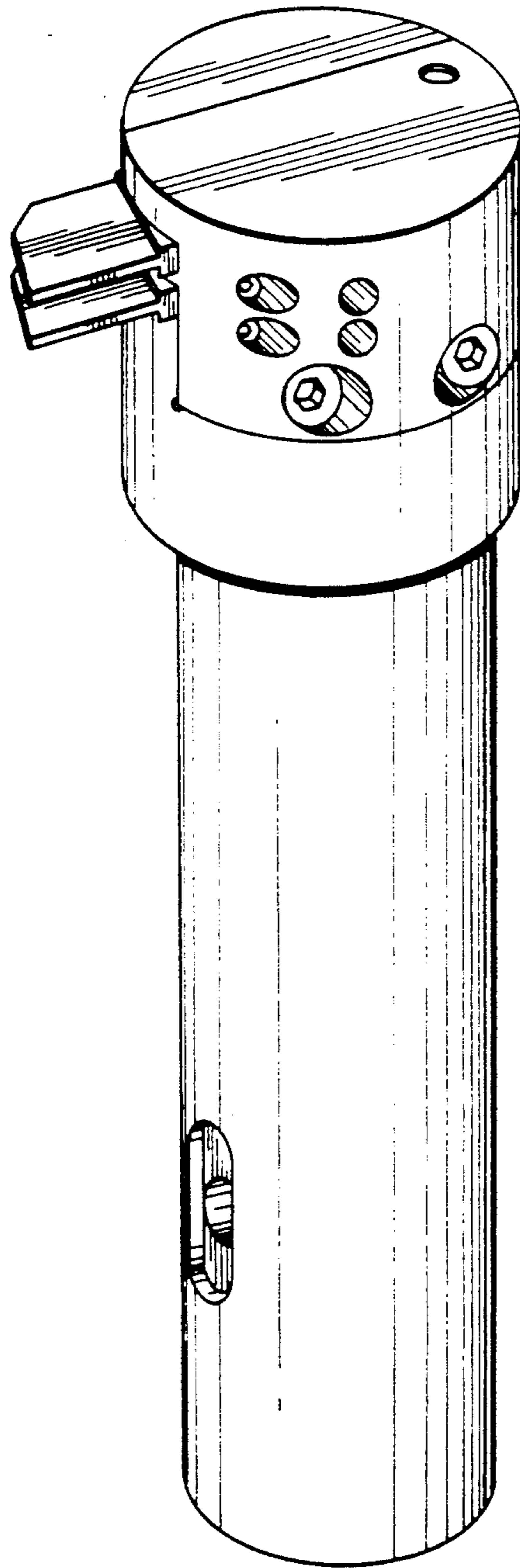


FIG. 1

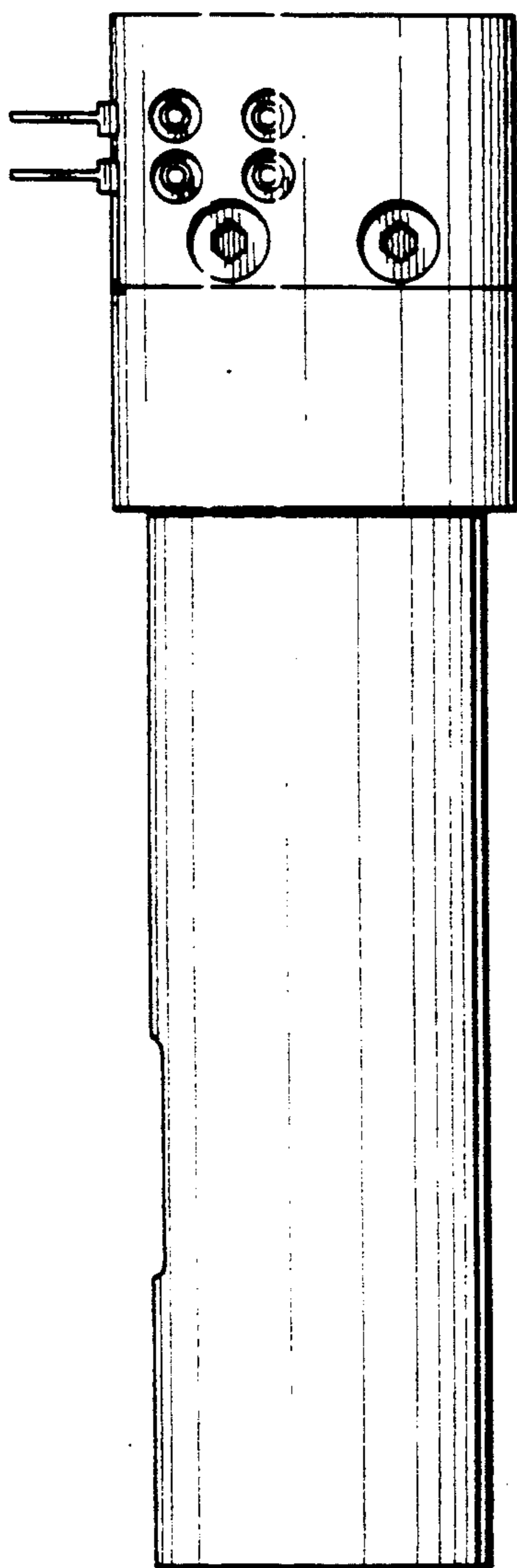


FIG. 2

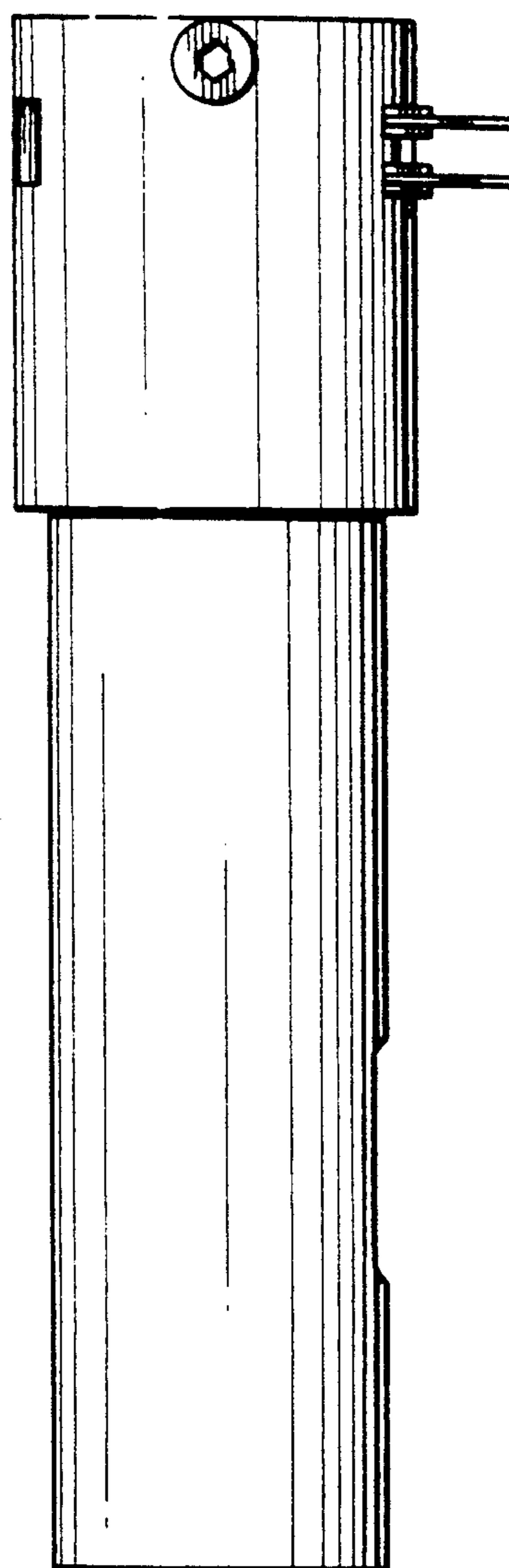


FIG. 3

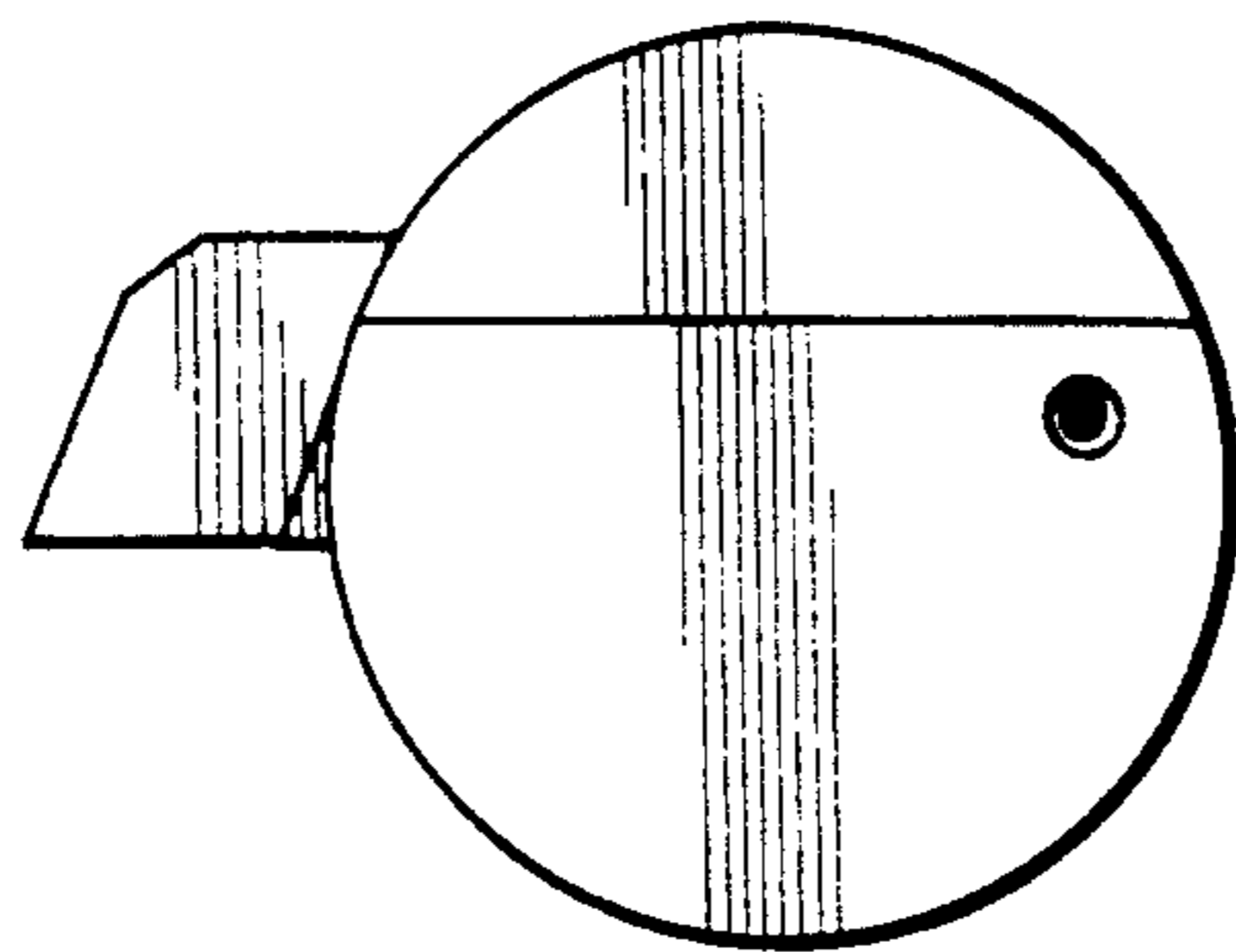


FIG. 4

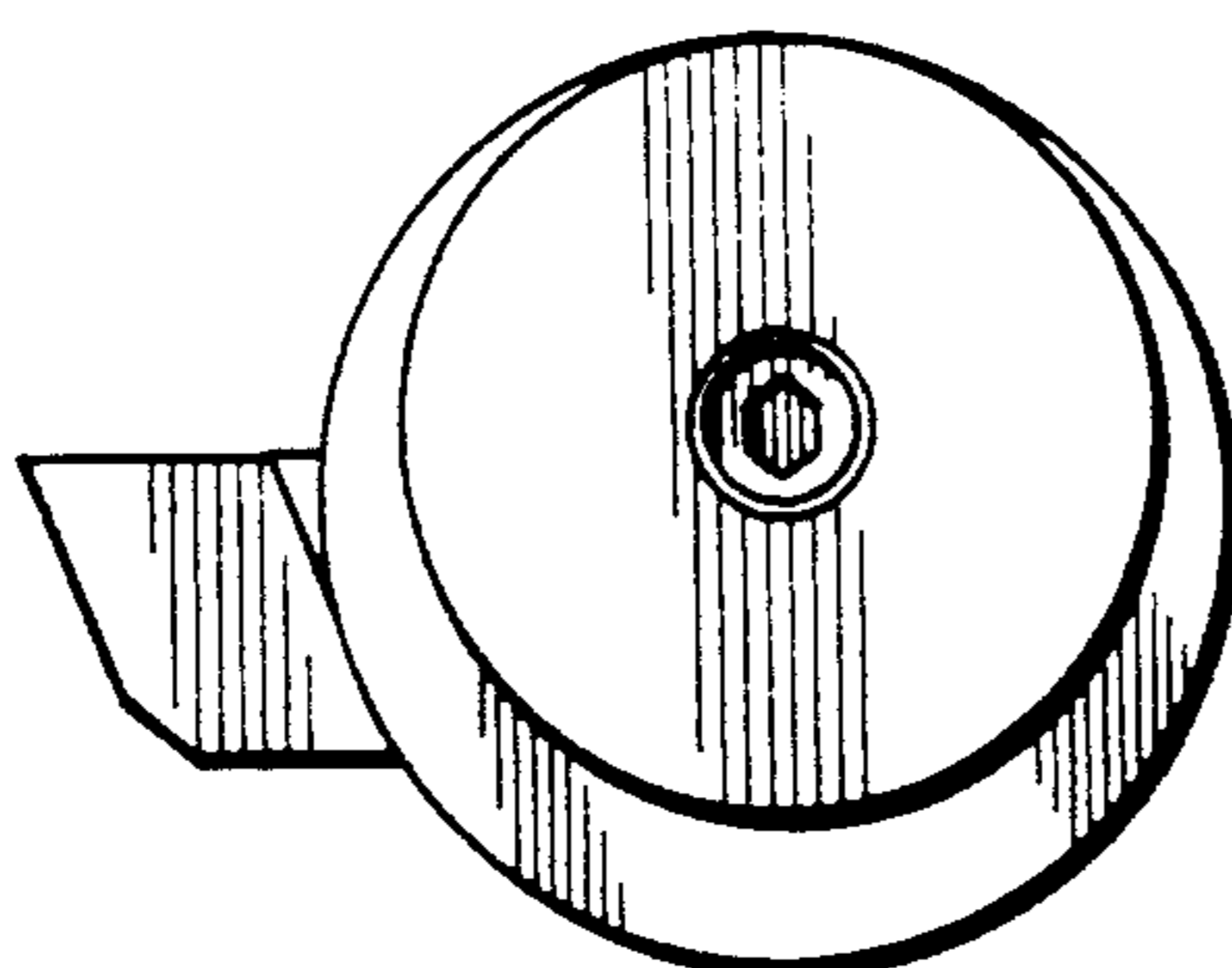


FIG. 5