



US00D340934S

United States Patent [19]

[11] Patent Number: **Des. 340,934**

Trenner

[45] Date of Patent: **** Nov. 2, 1993**

[54] LINEAR UNIT

[75] Inventor: **Albrecht Trenner**, Langendorf, Switzerland

[73] Assignee: **Montech AG**, Derendingen, Switzerland

[**] Term: **14 Years**

[21] Appl. No.: **692,064**

[22] Filed: **Apr. 26, 1991**

[52] U.S. Cl. **D15/141**

[58] Field of Search **D15/141; 92/5 R, 13.1, 92/85 B, 165 PR, 165 R**

[56] **References Cited**

U.S. PATENT DOCUMENTS

- 4,829,880 5/1985 Lieberman 92/165 PR X
- 4,982,652 1/1991 Blatt 92/5 R

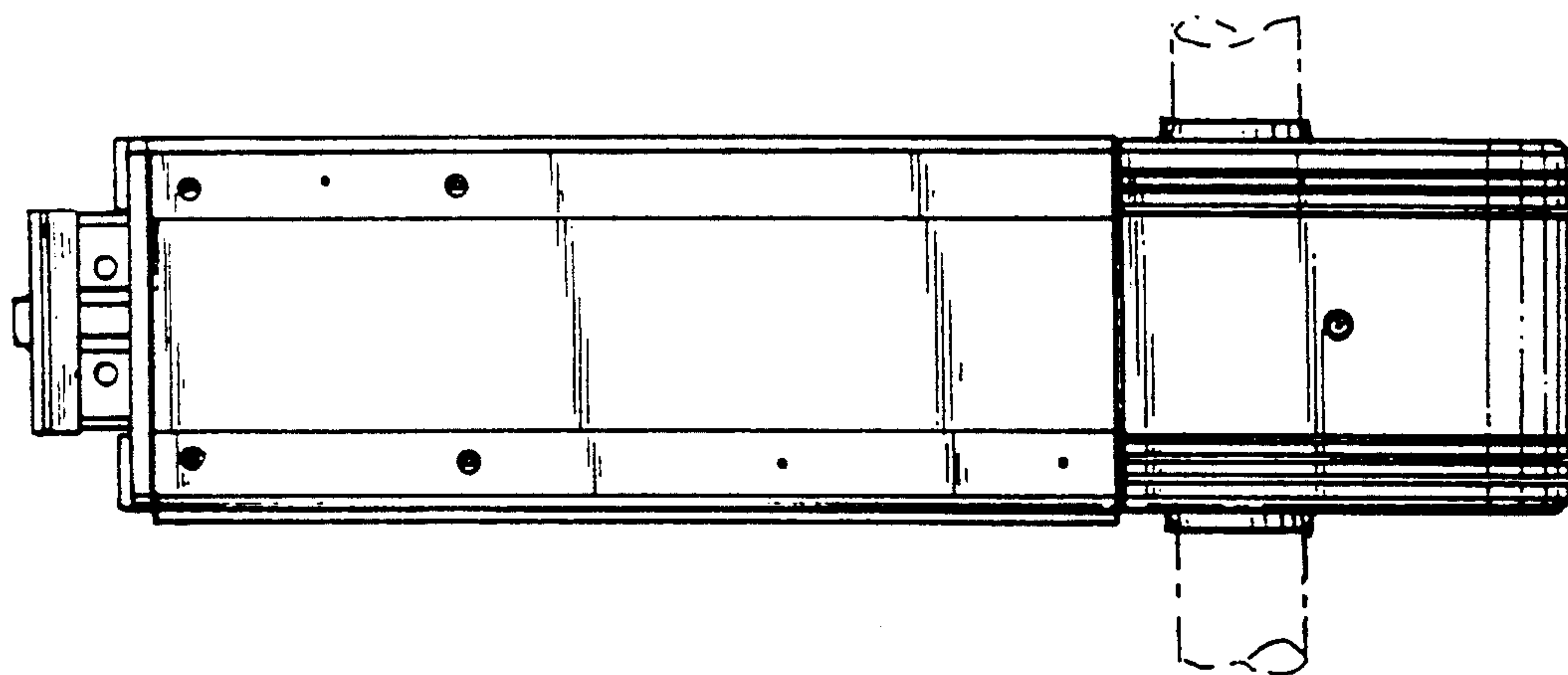
Primary Examiner—Alan P. Douglas
Assistant Examiner—Antoine O. Davis
Attorney, Agent, or Firm—Bachman & LaPointe

[57] **CLAIM**

The ornamental design for a linear unit, as shown and described.

DESCRIPTION

FIG. 1 is a side elevational view of a first side of a linear unit, showing my new design;
FIG. 2 is a top plan view thereof;
FIG. 3 is a side elevational view of a second side thereof;
FIG. 4 is a bottom plan view thereof;
FIG. 5 is an end elevational view of a front end thereof; and,
FIG. 6 is an end elevational view of a rear end thereof.
The broken line showing of a pressure hose is for illustrative purposes only and forms no part of the claimed design.



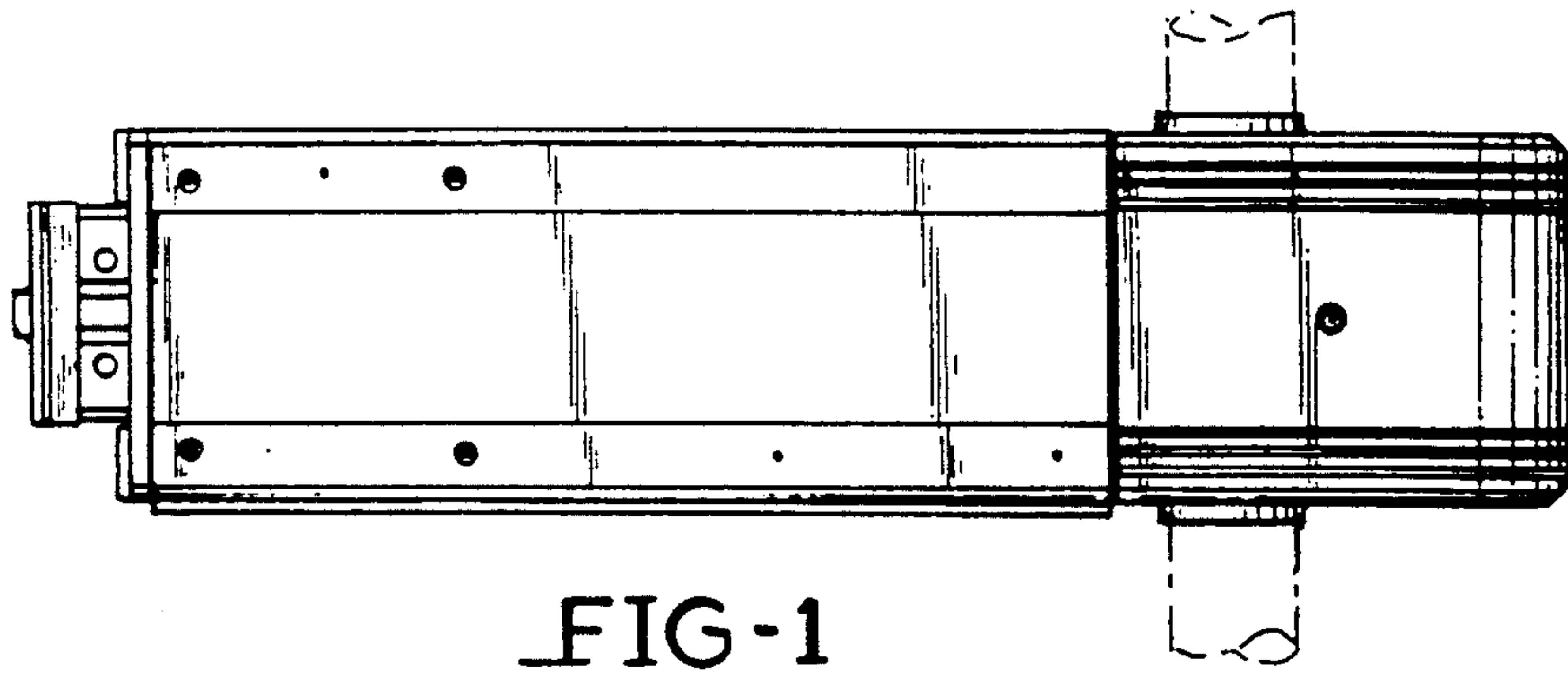


FIG-1

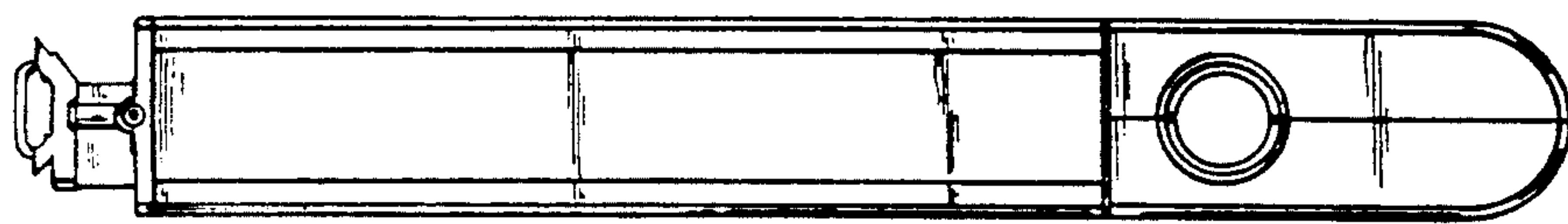


FIG-2

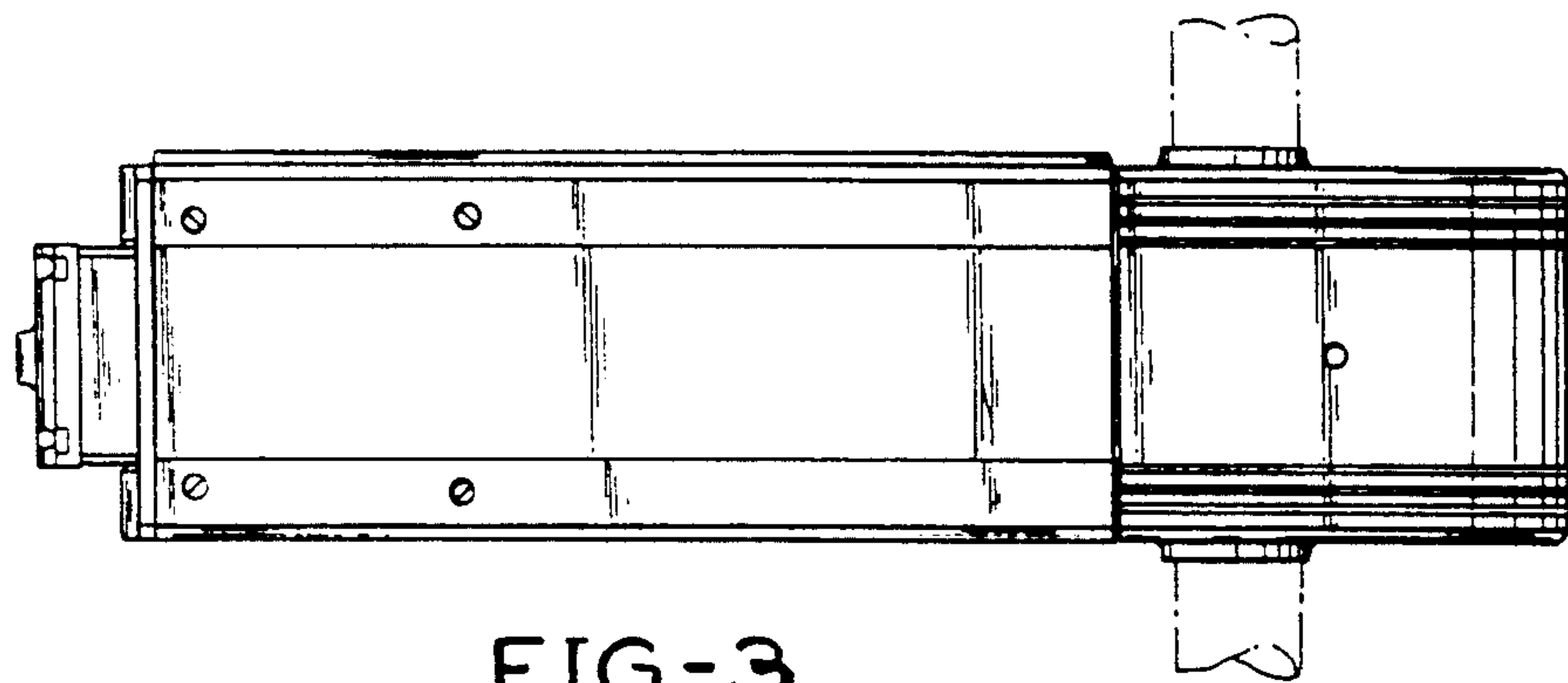


FIG-3

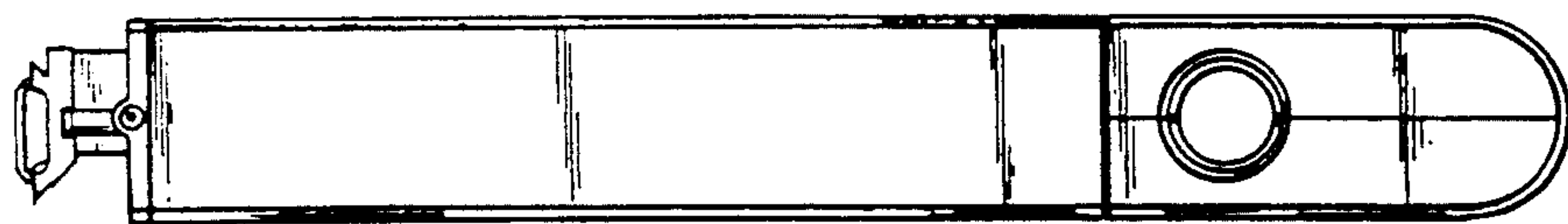


FIG-4

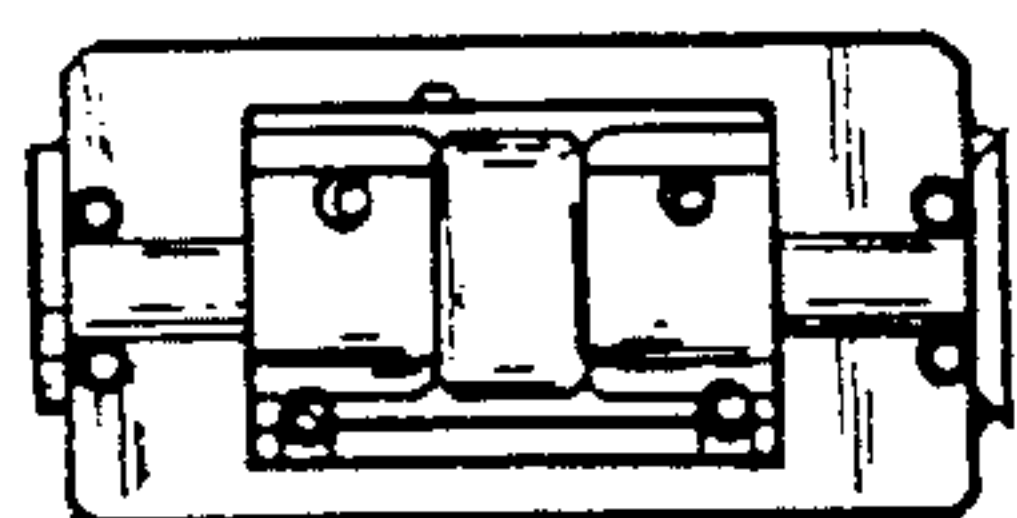


FIG-5



FIG-6