



US00D340932S

United States Patent [19]

Yan

[11] Patent Number: **Des. 340,932**

[45] Date of Patent: **** Nov. 2, 1993**

[54] **EARPIECE FOR USE WITH TELEPHONES**

4,972,492 11/1990 Tanaka et al. 381/187

[76] Inventor: **Mao-Ye Yan**, 6th Floor, Yiko Industrial Building 10 Ka Yip Street, Chaiwan, Hong Kong

Primary Examiner—Stella Reid
Attorney, Agent, or Firm—Burns, Doane, Swecker & Mathis

[**] Term: **14 Years**

[57] **CLAIM**

[21] Appl. No.: **674,044**

The ornamental design for an earpiece for use with telephones, as shown and described.

[22] Filed: **Mar. 25, 1991**

[52] U.S. Cl. **D14/249**

DESCRIPTION

[58] Field of Search D14/142, 249, 205, 206; 381/187, 68.2, 98; 181/130, 135; 379/61, 62, 52, 431, 430, 433, 422

FIG. 1 is a perspective view of an earpiece for use with telephones, showing my new design;
FIG. 2 is the front elevational view thereof;
FIG. 3 is the rear elevational view thereof;
FIG. 4 is a left side elevational view thereof, the right side elevational view being identical thereto;
FIG. 5 is the top plan view thereof; and,
FIG. 6 is a bottom plan view thereof.

[56] **References Cited**

U.S. PATENT DOCUMENTS

D. 309,306 7/1990 Weiser et al. D14/249
4,736,435 4/1988 Yokoyama et al. 381/187

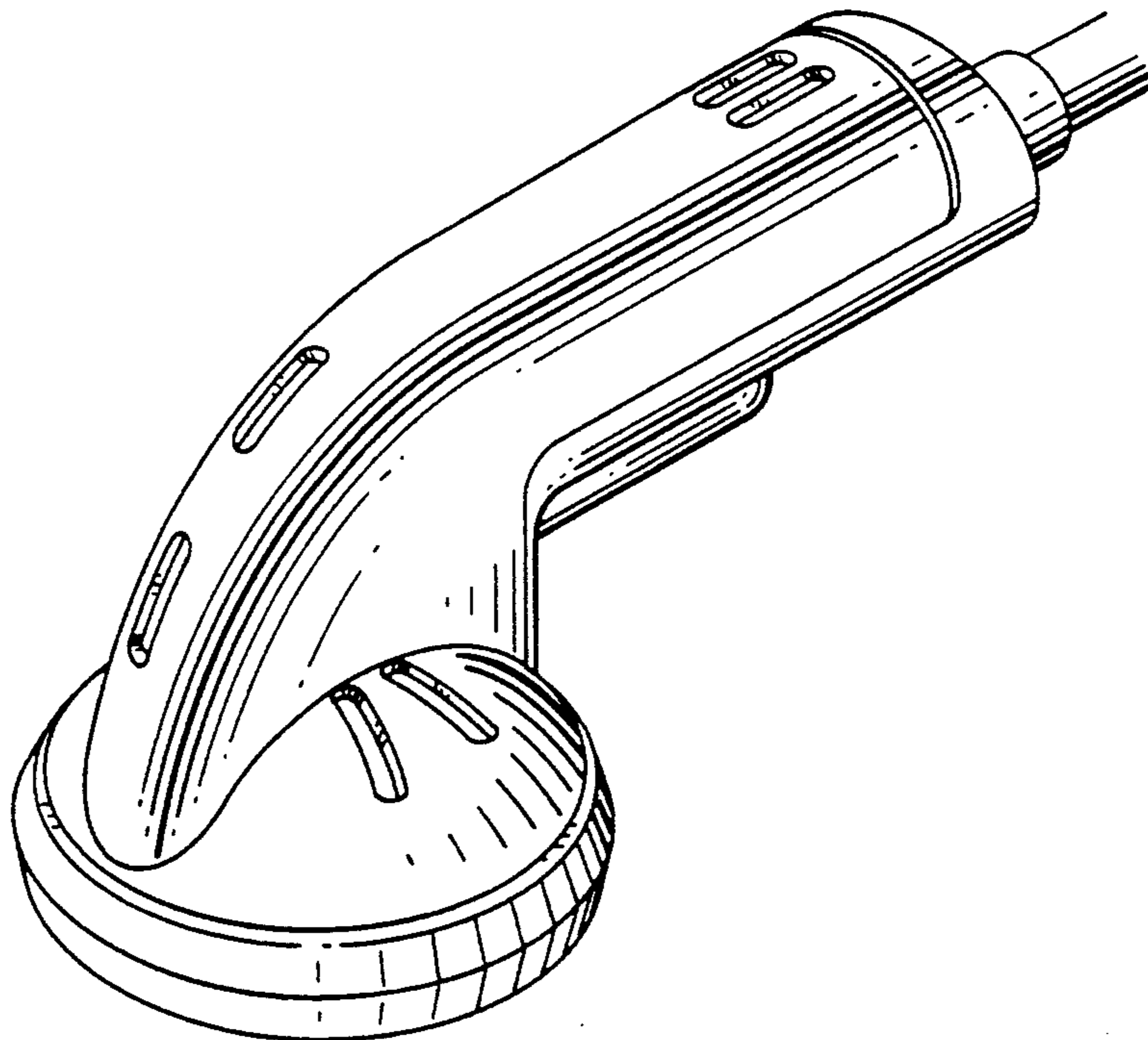


FIG. 1

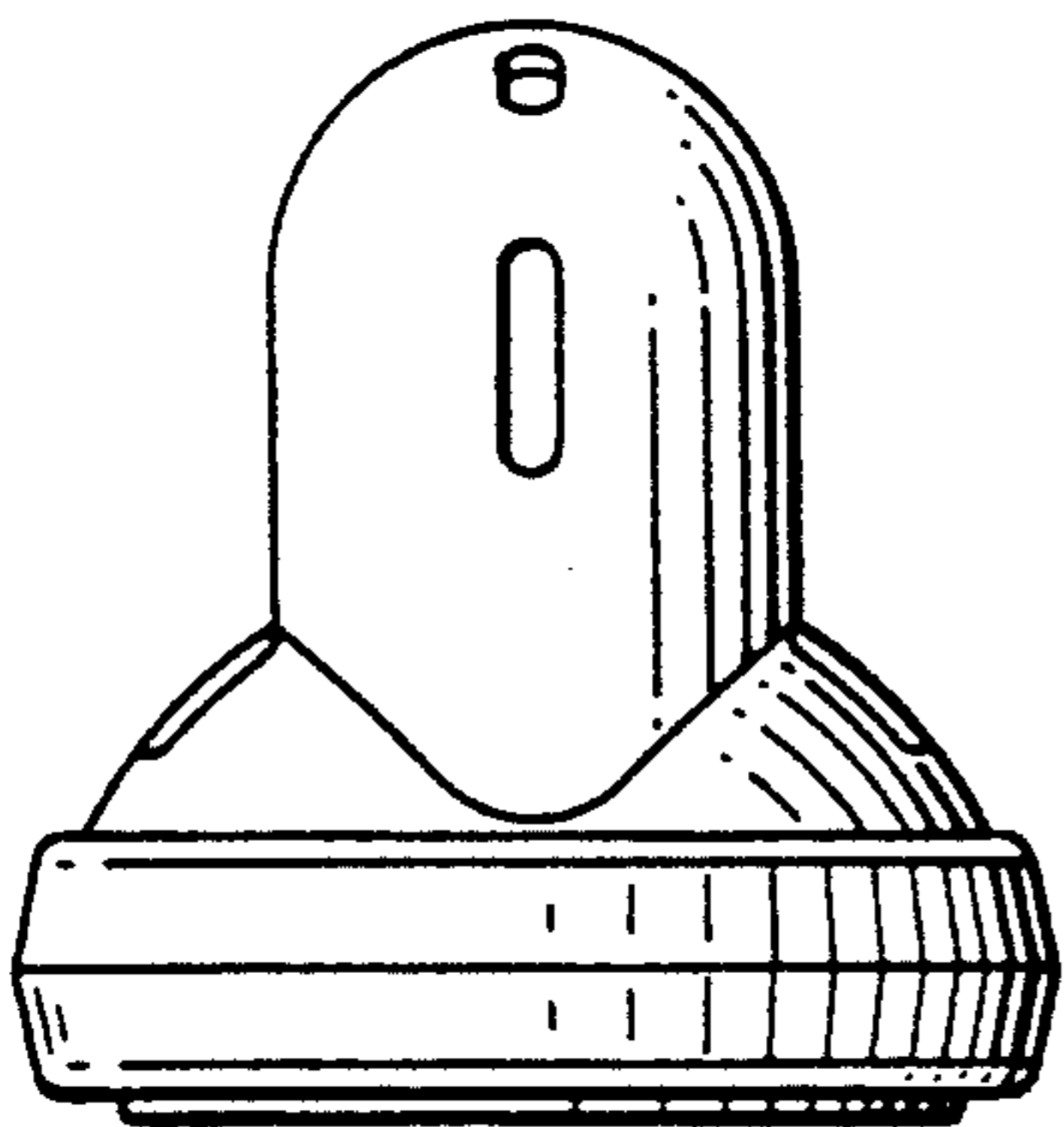
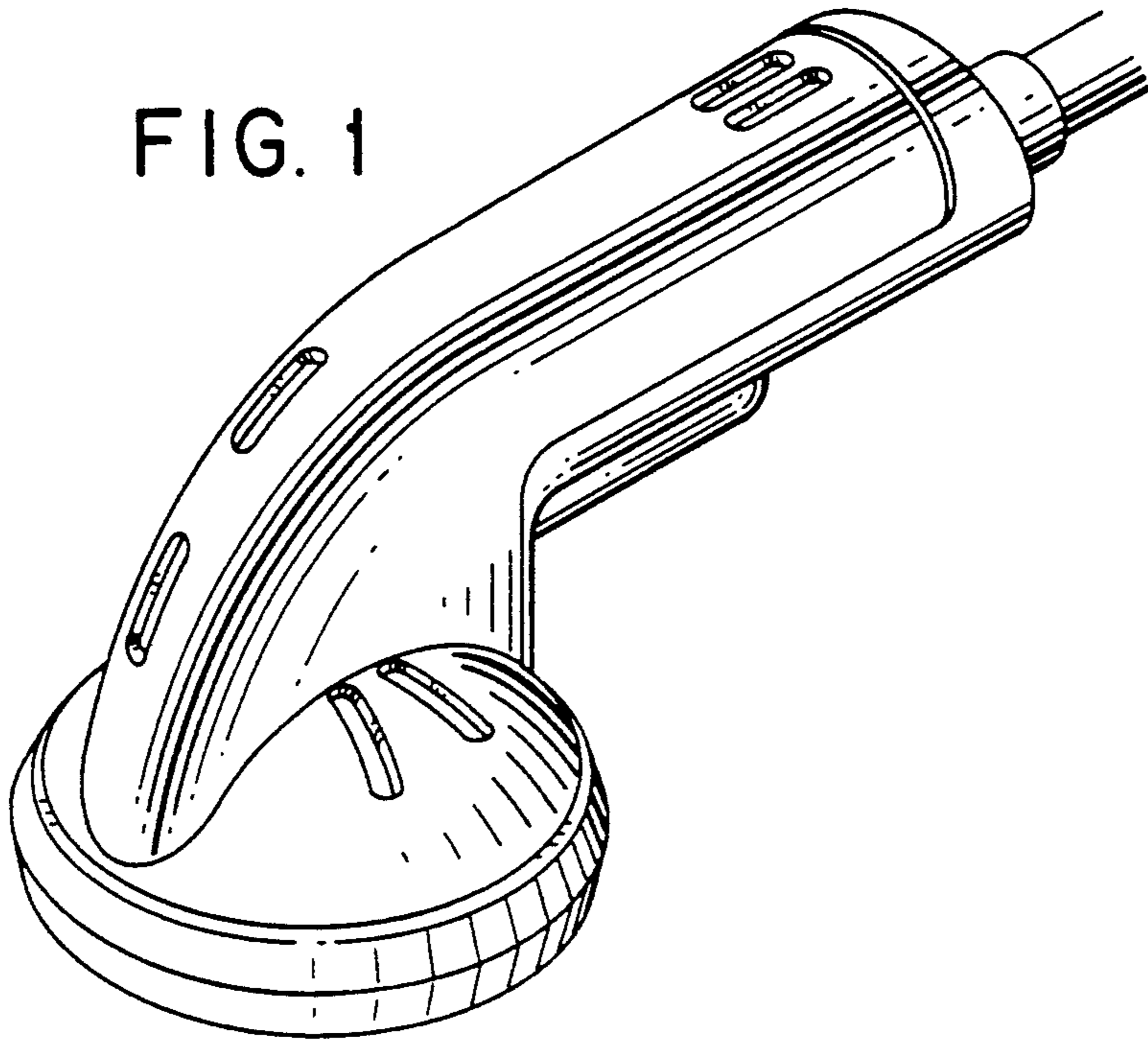


FIG. 2

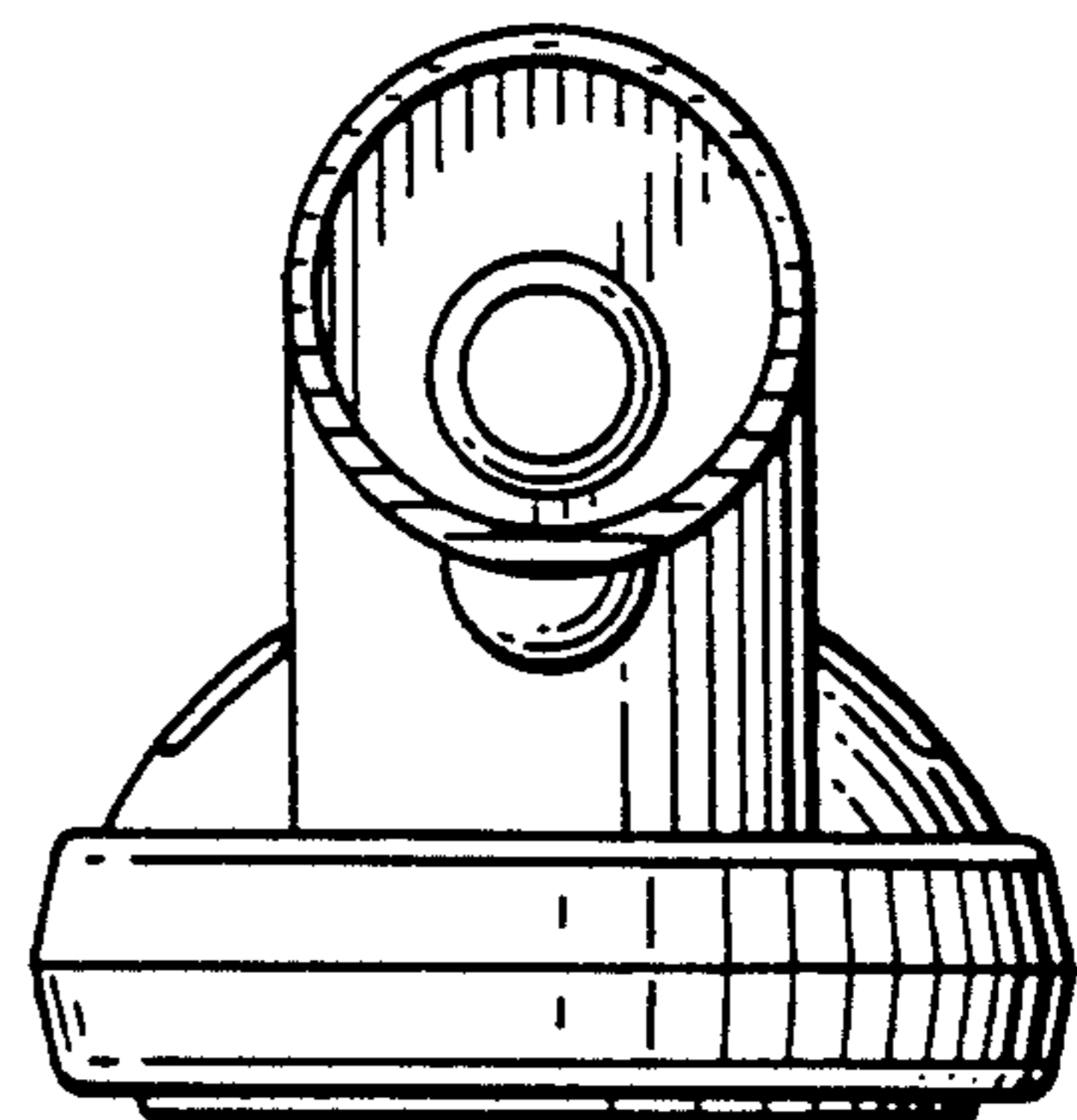


FIG. 3

FIG. 4

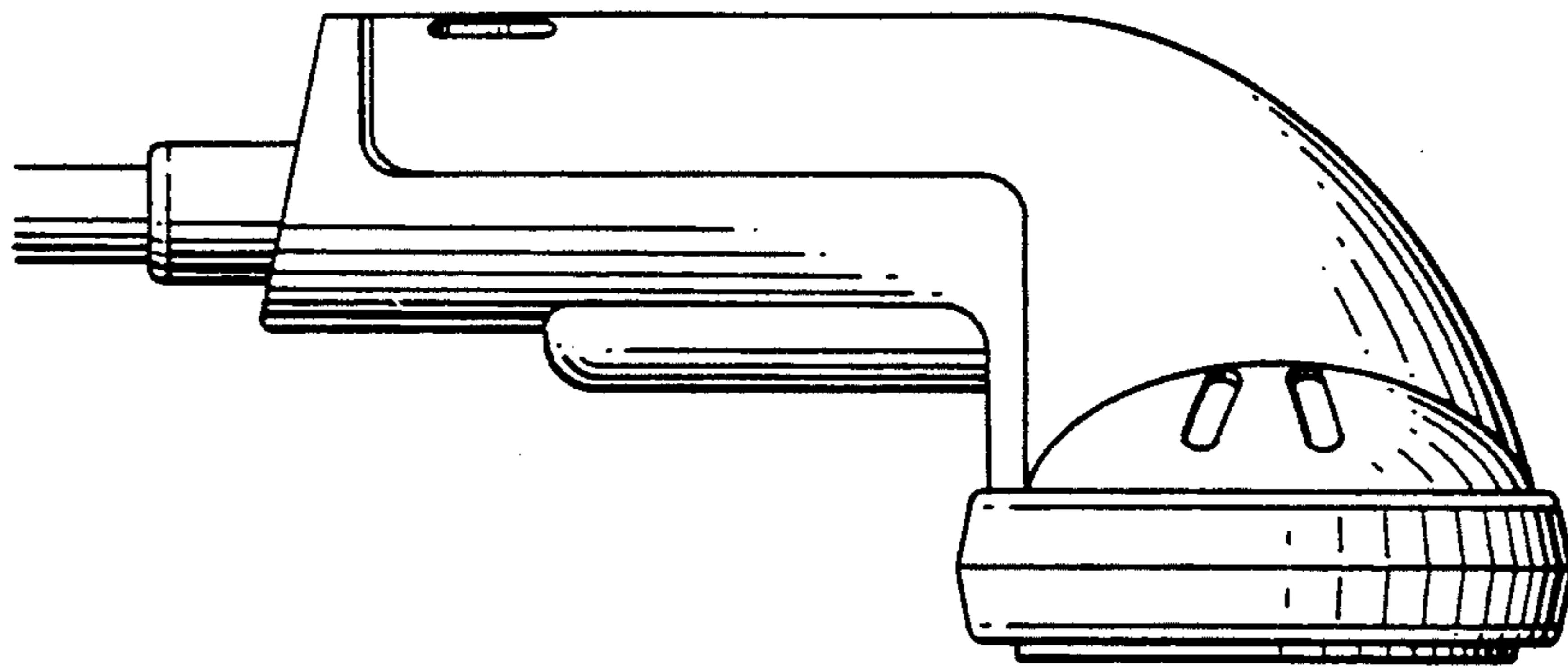


FIG. 5

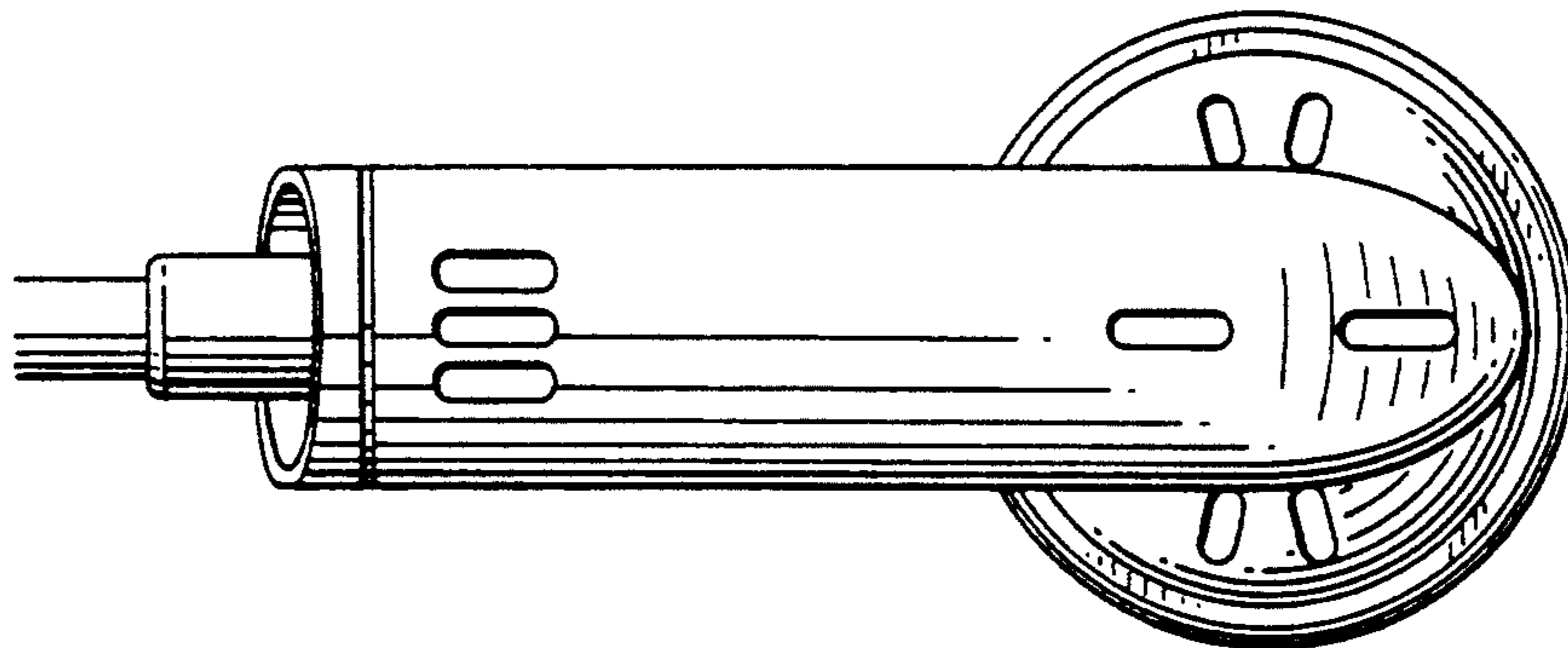


FIG. 6

