



US00D340929S

United States Patent [19]

[11] Patent Number: **Des. 340,929**

Klimek

[45] Date of Patent: **** Nov. 2, 1993**

[54] SPEAKER

[76] Inventor: **Johnathon H. Klimek**, 282 SW. Starflower Ave., Port St Lucie, Fla. 34950

[**] Term: **14 Years**

[21] Appl. No.: **687,533**

[22] Filed: **Apr. 19, 1991**

[52] U.S. Cl. **D14/210**

[58] Field of Search **D14/204, 207-216, D14/219-222; 181/144, 145, 148, 150, 153, 199; 381/87-90**

[56] References Cited

U.S. PATENT DOCUMENTS

D. 228,139	8/1973	Ishikawa	D14/214
D. 239,035	3/1976	Ross	D14/214
D. 239,036	3/1976	Ross	D14/214
D. 255,794	7/1980	Rams	D14/214

OTHER PUBLICATIONS

Design 474 Jun. 1988 B&W speaker, top middle. Crutchfield Winter/Spring 1991 ©1990 p. 92 EPI 70 Series II, bottom left.

Primary Examiner—Bernard Ansher
Assistant Examiner—Sandra Morris
Attorney, Agent, or Firm—Leon Gilden

[57] CLAIM

The ornamental design for a speaker, as shown and described.

DESCRIPTION

FIG. 1 is a front elevational view of the speaker showing my new design;
FIG. 2 is a rear elevational view thereof;
FIG. 3 is a left side elevational view thereof;
FIG. 4 is a right side elevational view thereof;
FIG. 5 is a top plan view thereof;
FIG. 6 is a bottom plan view thereof; and,
FIG. 7 is a perspective view thereof.

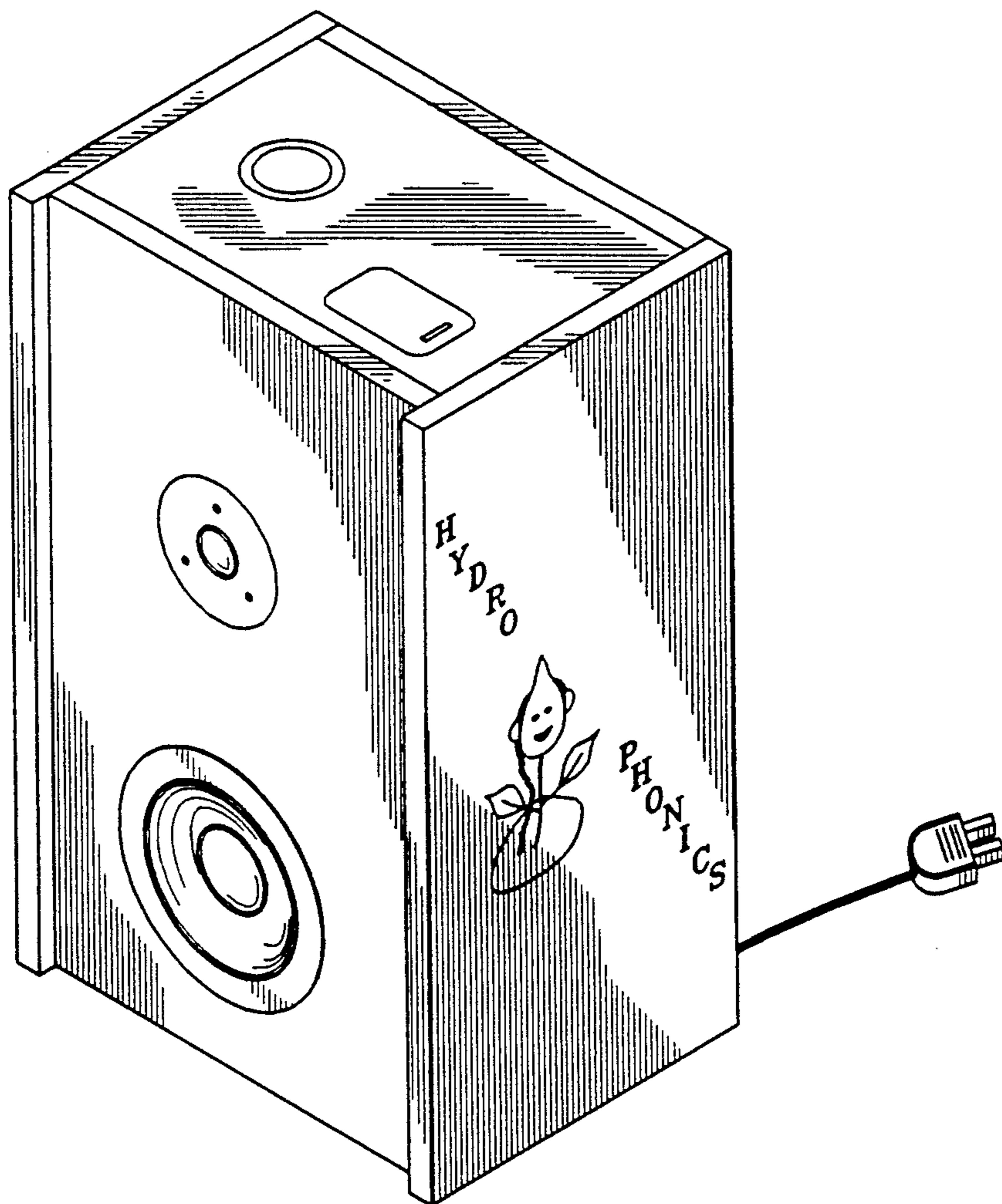


FIG. 1

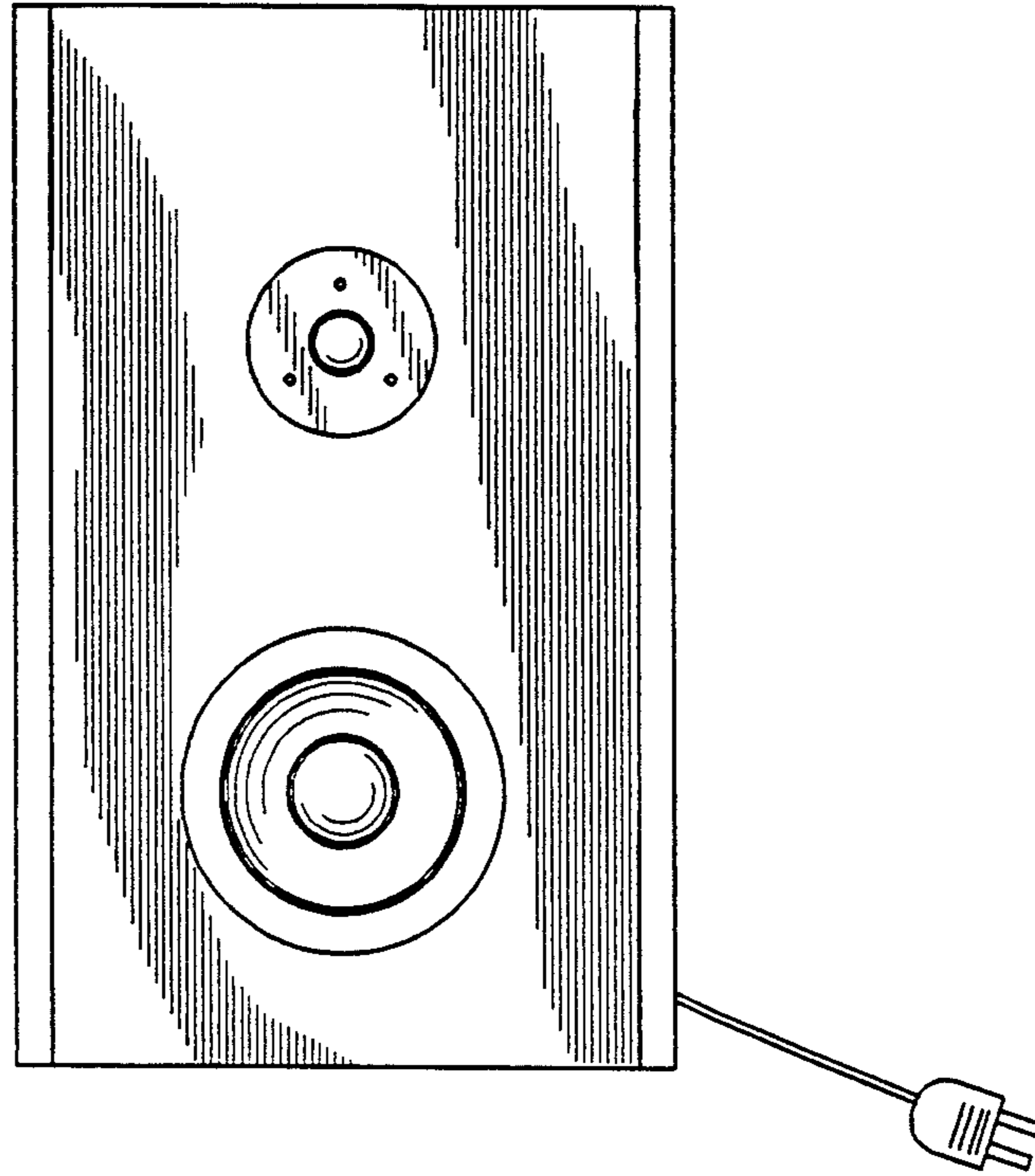


FIG. 2

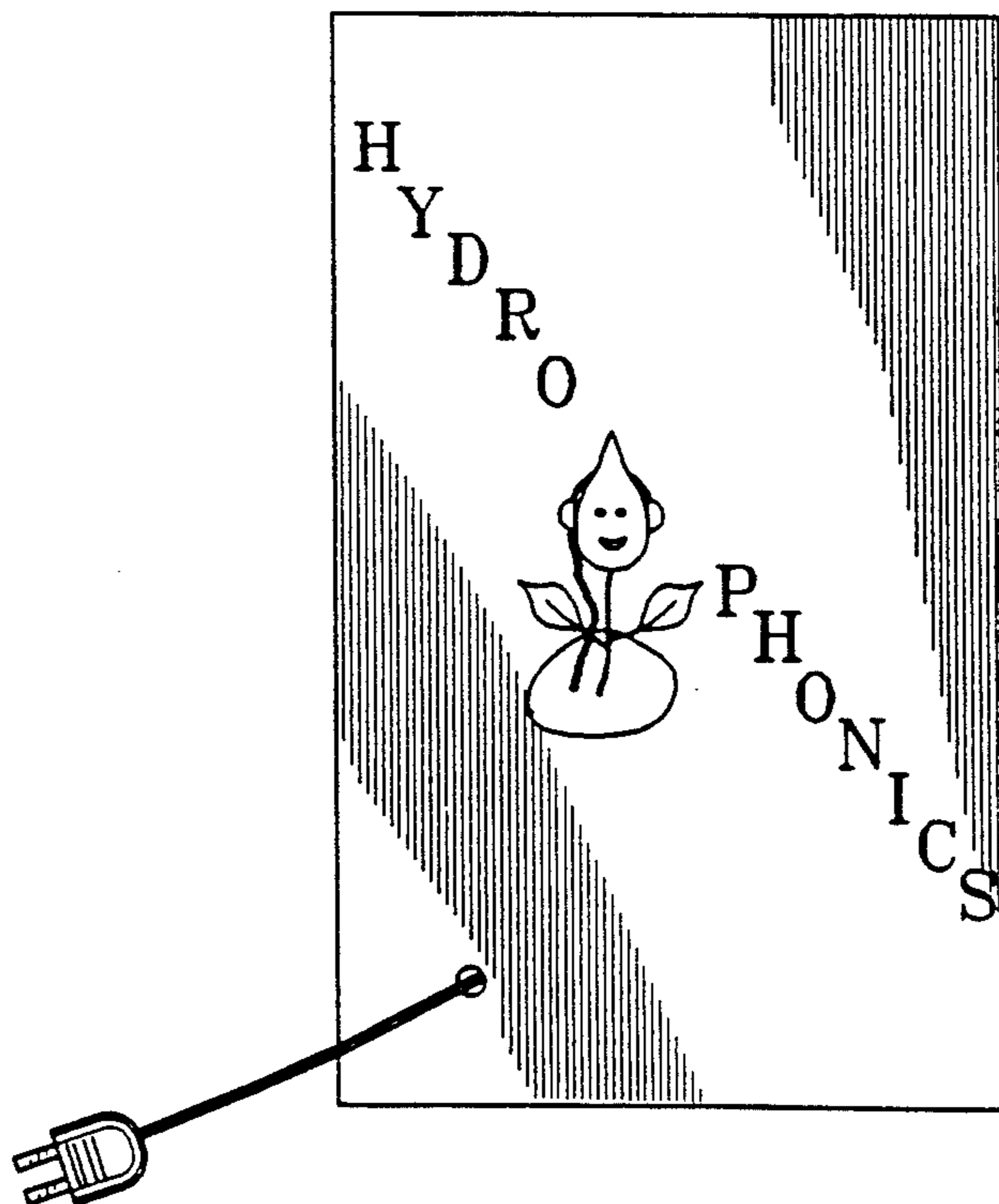


FIG. 3

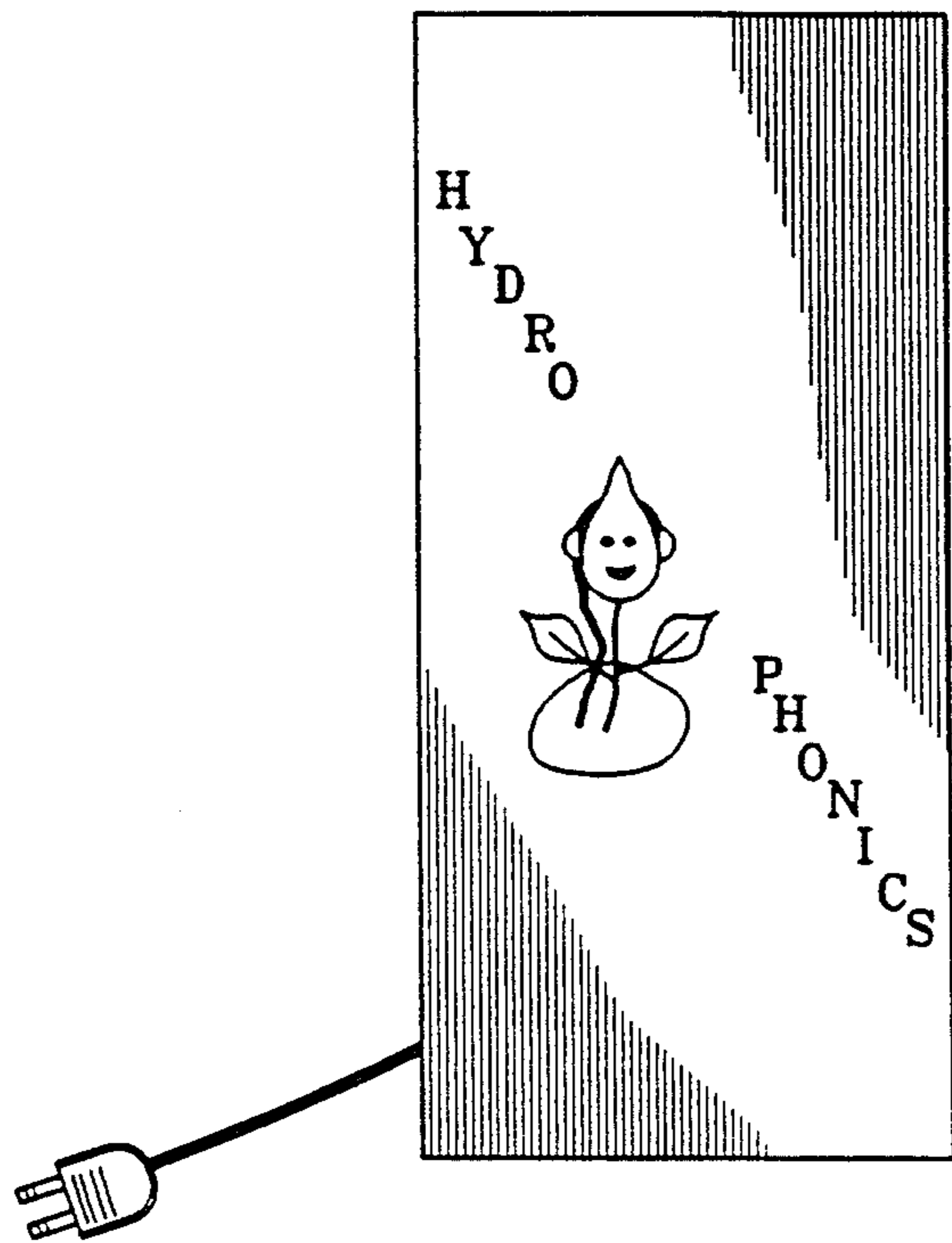


FIG. 4

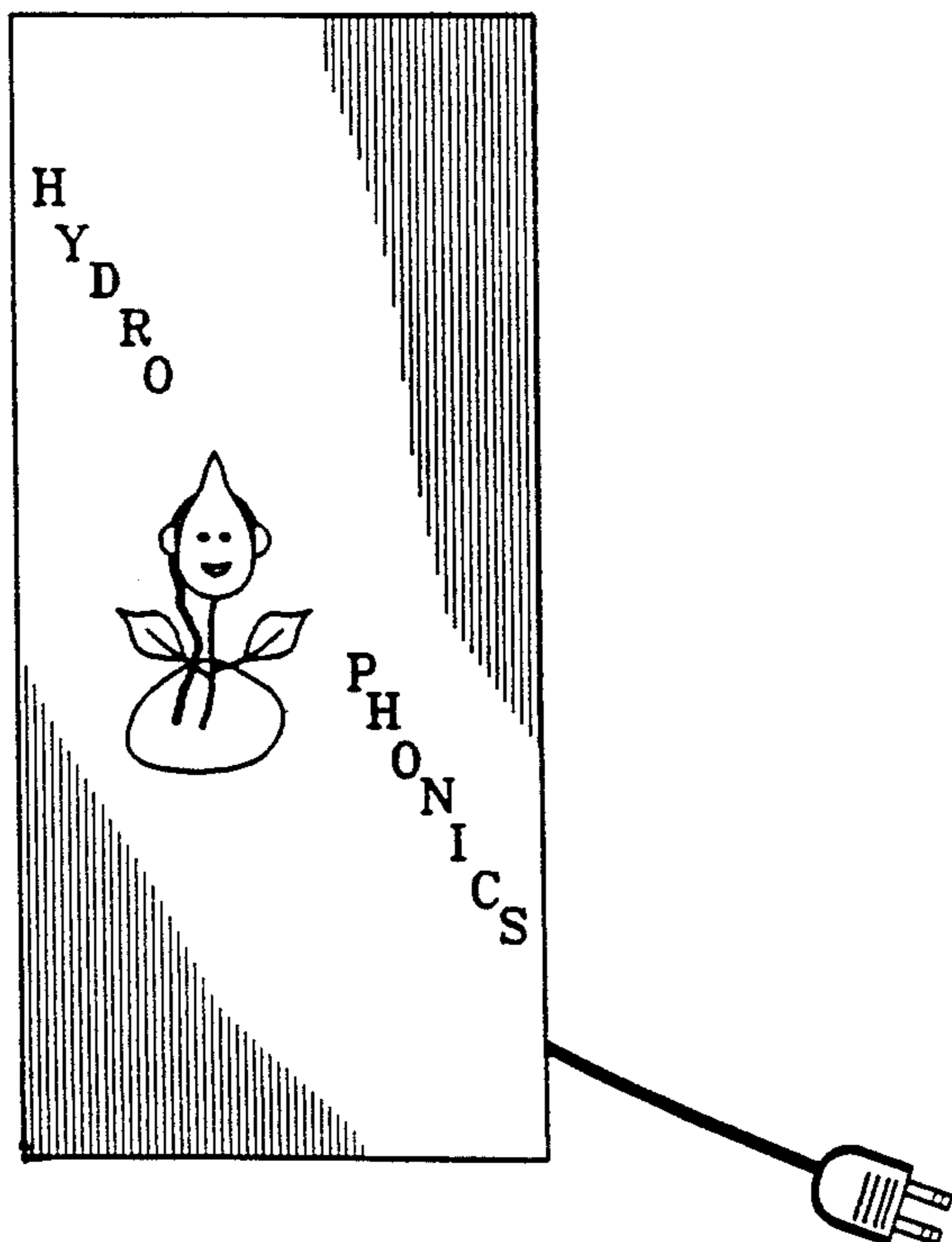


FIG. 5

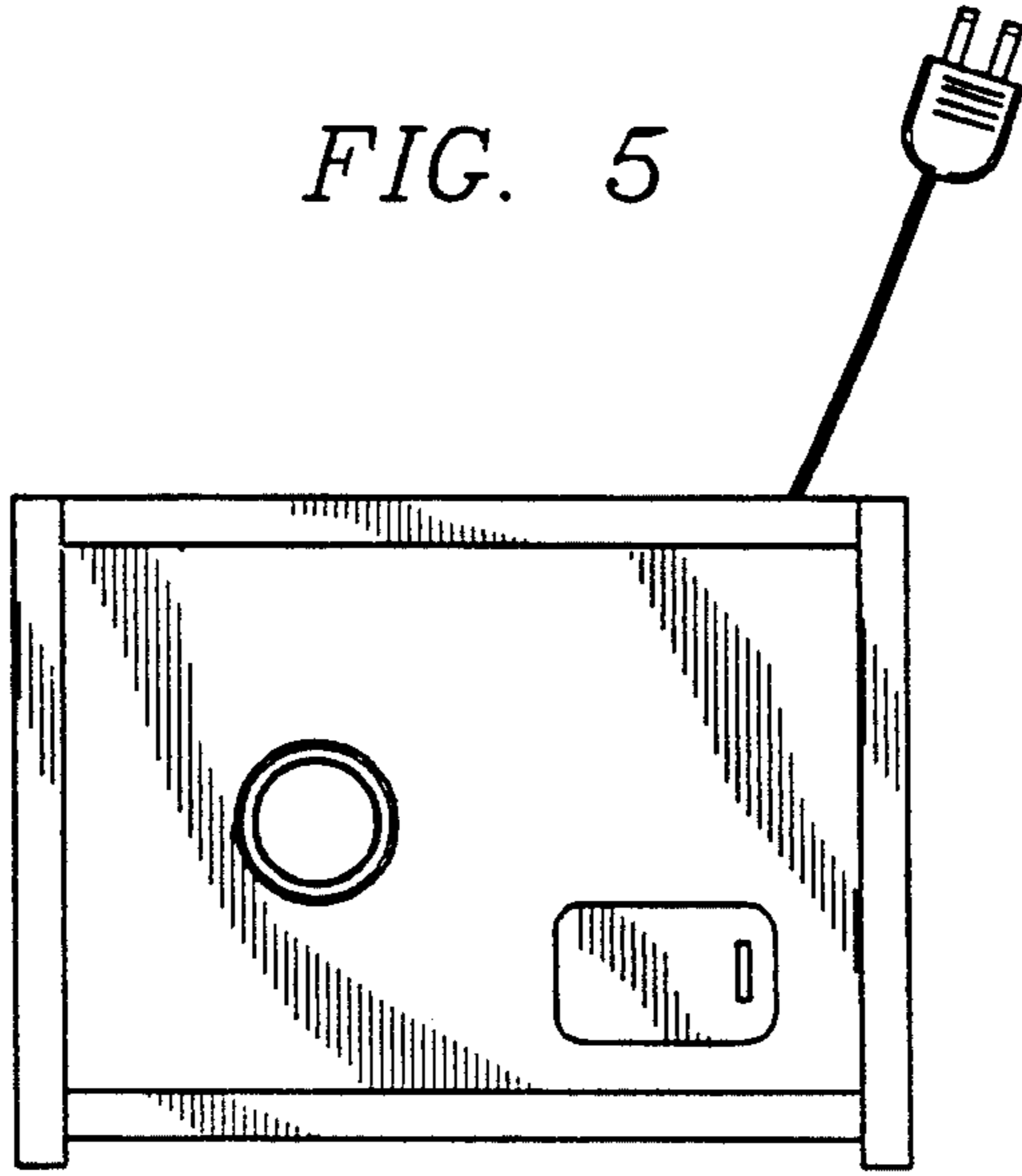


FIG. 6

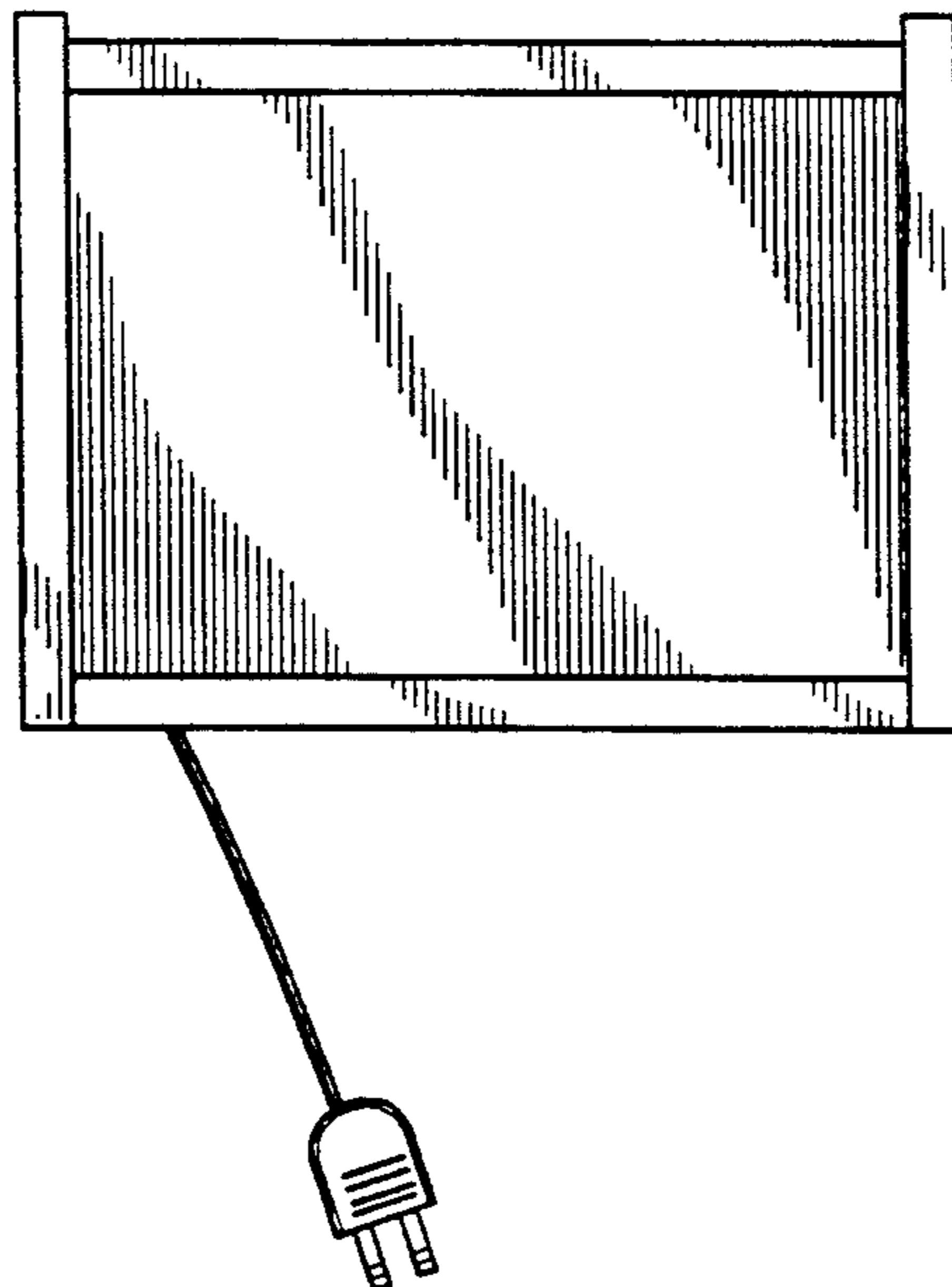


FIG. 7

