



US00D340922S

United States Patent [19]

[11] Patent Number: **Des. 340,922**

Barbera

[45] Date of Patent: **** Nov. 2, 1993**

[54] **COMPUTER MONITOR**

D. 328,066 7/1992 Couch D14/113
D. 333,132 2/1993 Barbera et al. D14/113

[75] Inventor: **Lawrence E. Barbera**, San Mateo, Calif.

Primary Examiner—Wallace R. Burke
Assistant Examiner—Freda S. Nunn
Attorney, Agent, or Firm—Franklyn C. Weiss

[73] Assignee: **Apple Computer, Inc.**, Cupertino, Calif.

[57] **CLAIM**

[**] Term: **14 Years**

The ornamental design for a computer monitor, as shown and described.

[21] Appl. No.: **805,606**

DESCRIPTION

[22] Filed: **Dec. 10, 1991**

[52] U.S. Cl. **D14/113**

[58] Field of Search D14/100, 113, 124-127;
340/700, 706; 358/249, 254; 364/706-710

FIG. 1 is a top, front, right side perspective view of a computer monitor showing my new design; FIG. 2 is a top, left, rear perspective view thereof; FIG. 3 is a front elevational view thereof; FIG. 4 is a rear elevational view thereof; FIG. 5 is a left side elevational view thereof; FIG. 6 is a right side elevational view thereof; FIG. 7 is a top plan view thereof; and, FIG. 8 is a bottom plan view thereof. FIGS. 3-8 are drawn on an enlarged scale.

[56] **References Cited**

U.S. PATENT DOCUMENTS

D. 279,010 5/1985 Ceradelli et al. D14/113
D. 304,719 11/1989 Leung D14/113
D. 321,344 11/1991 Steinbugler et al. D14/113

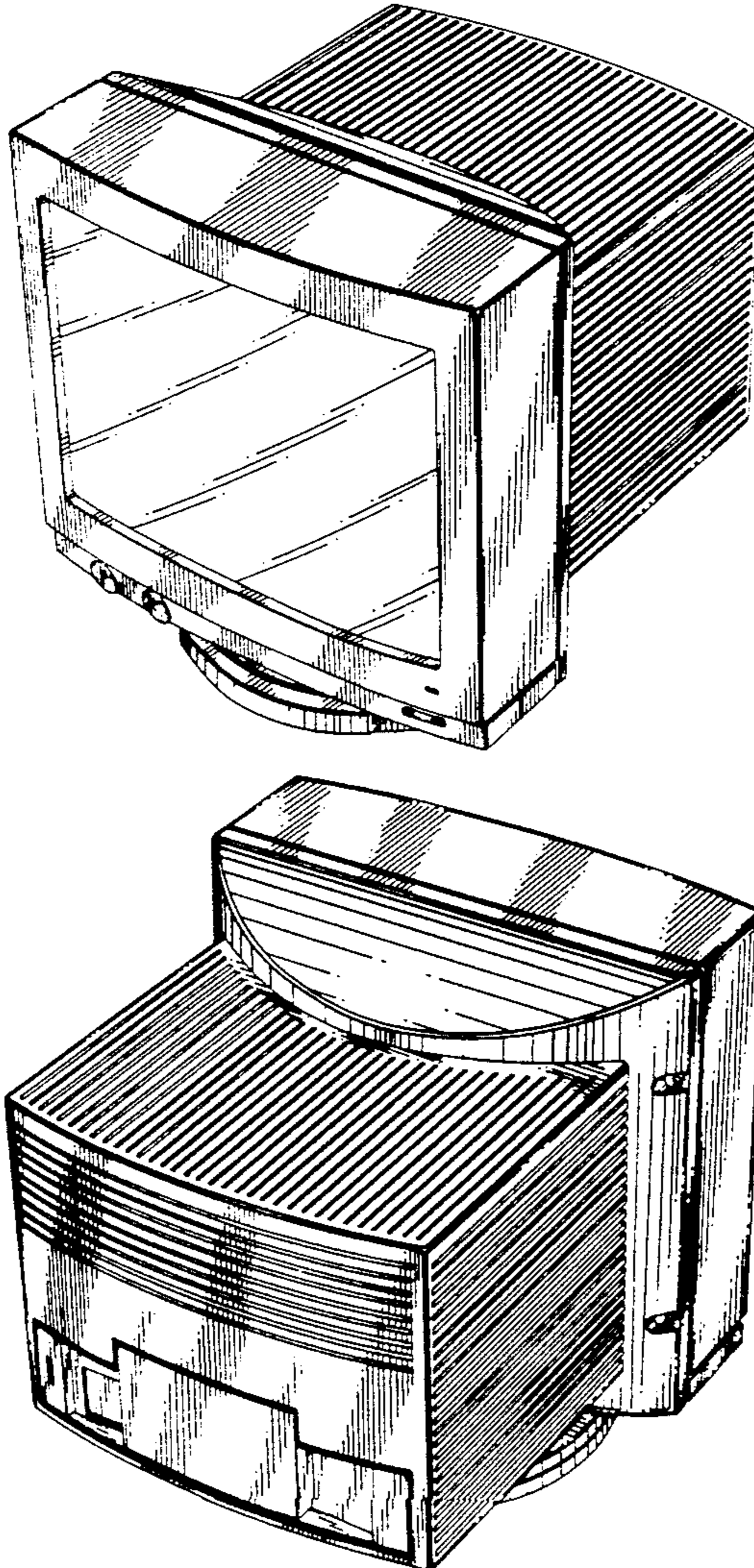


FIG 1

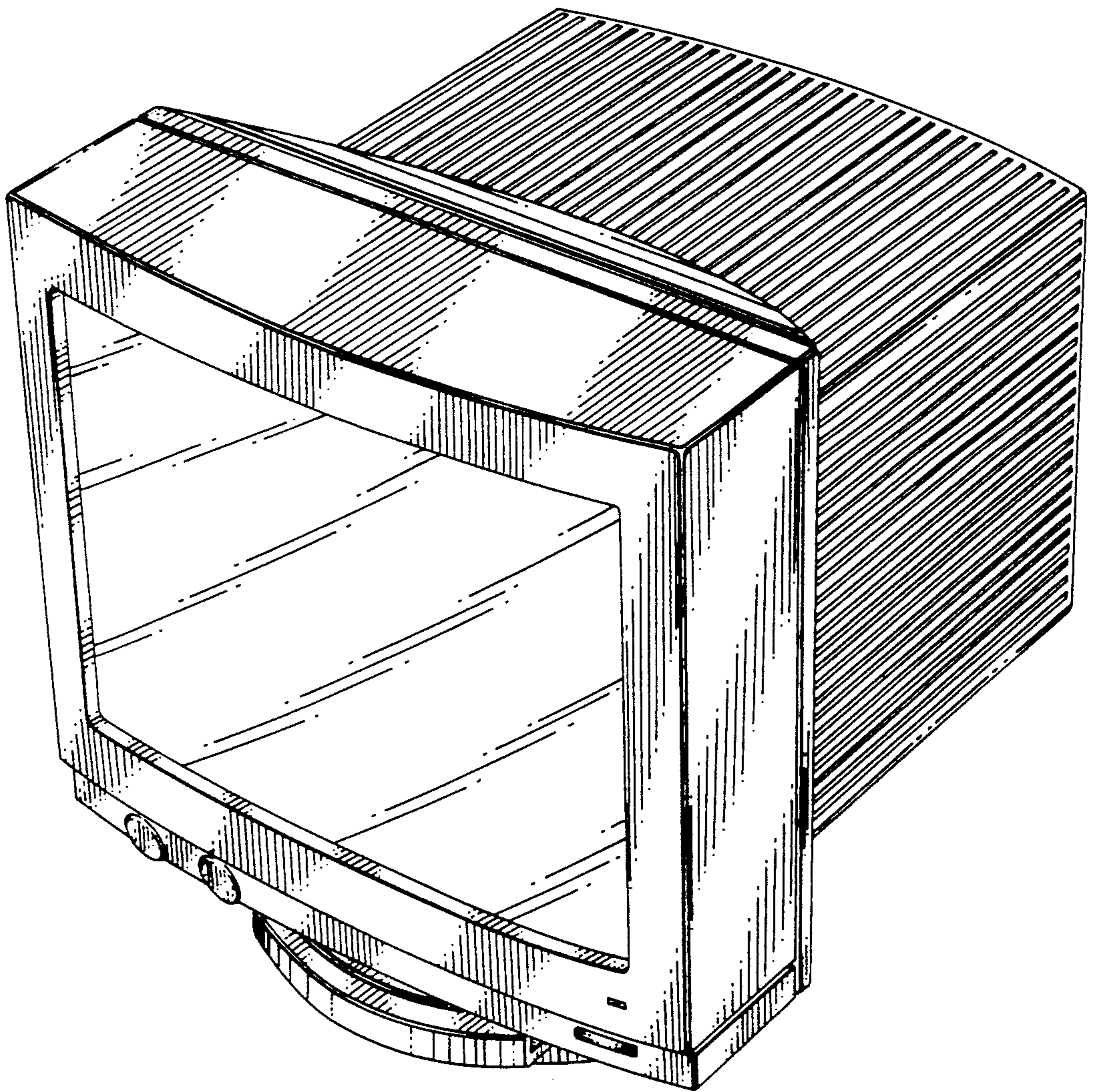


FIG 2

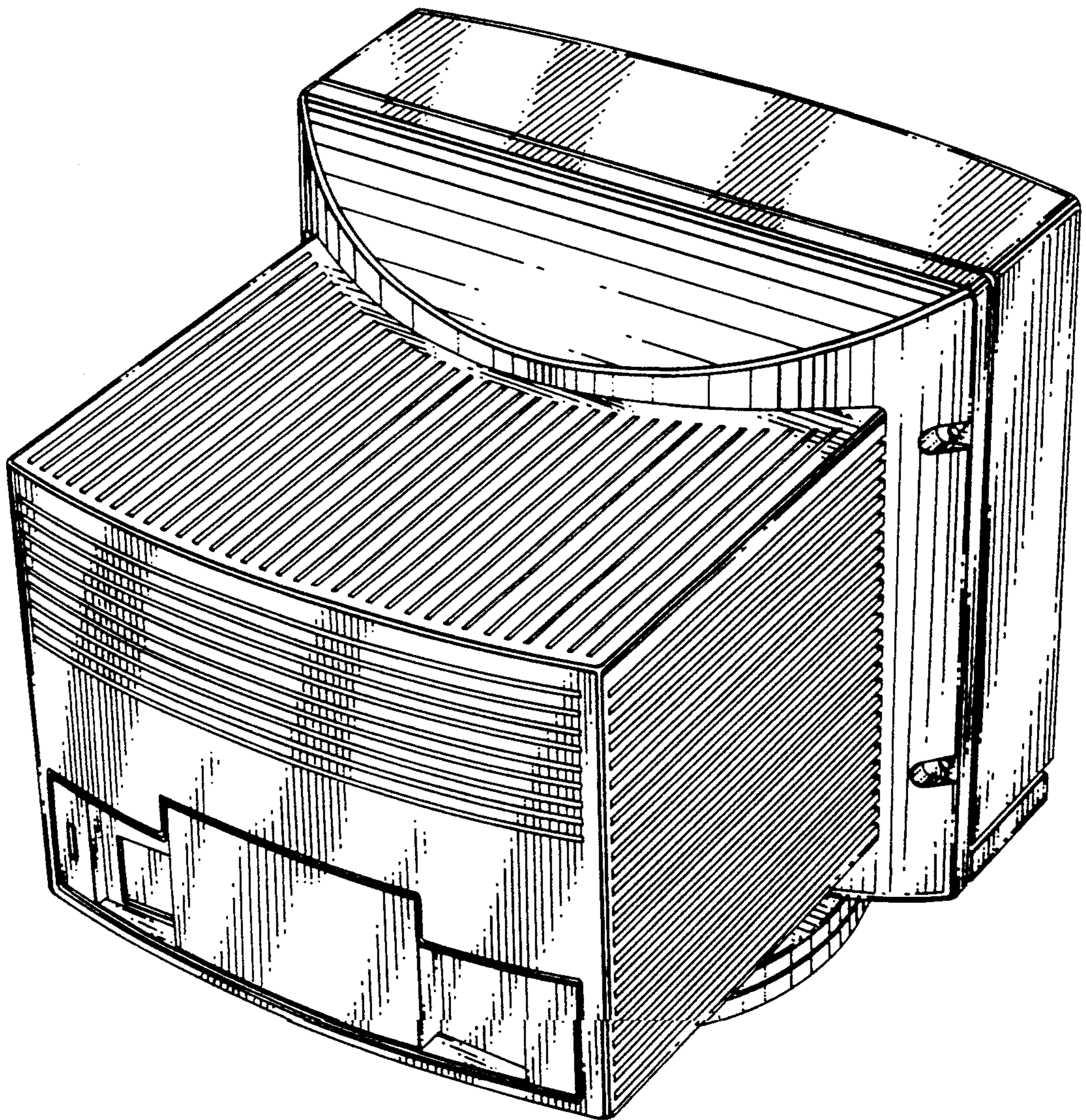


FIG 3

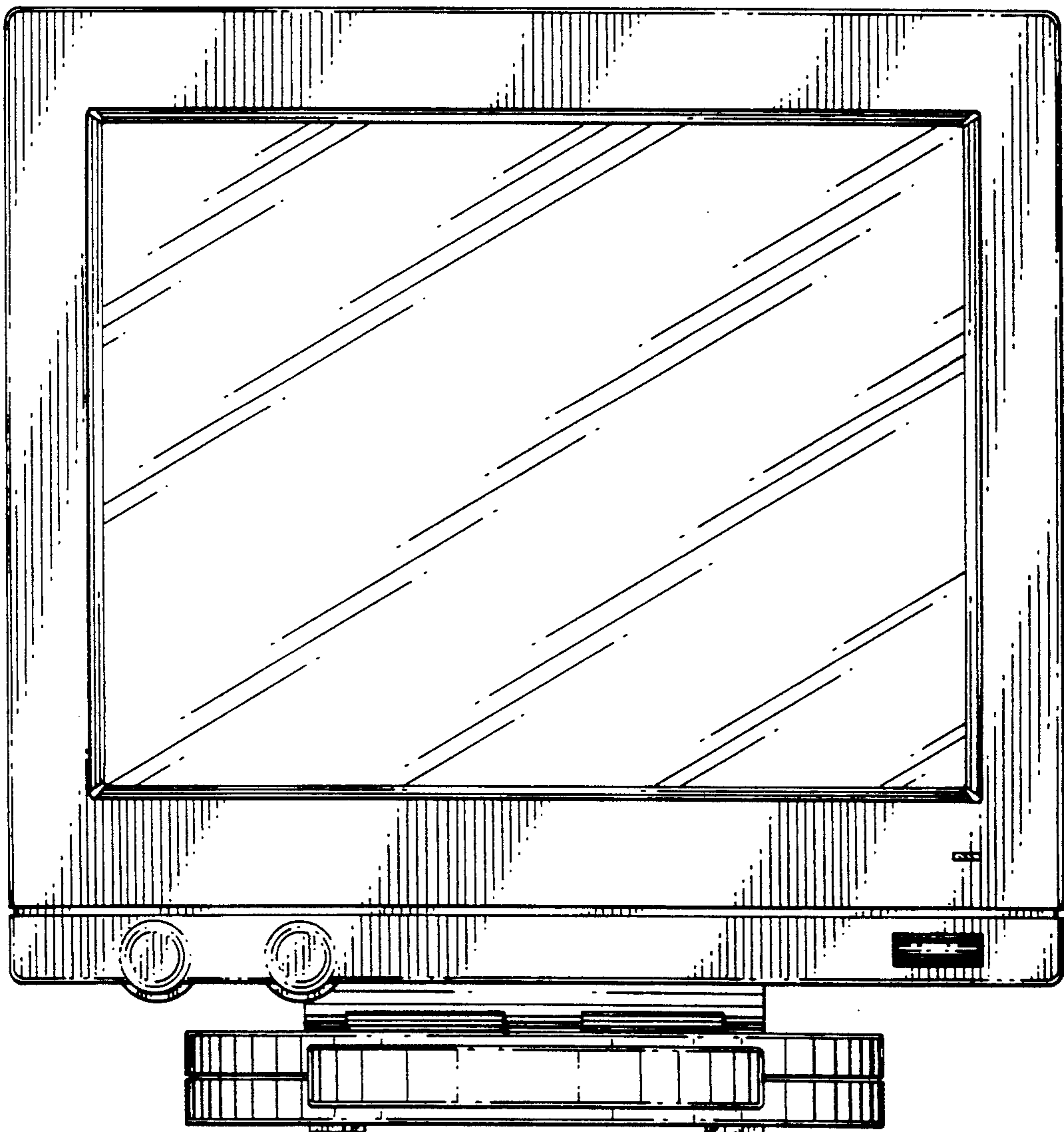


FIG 4

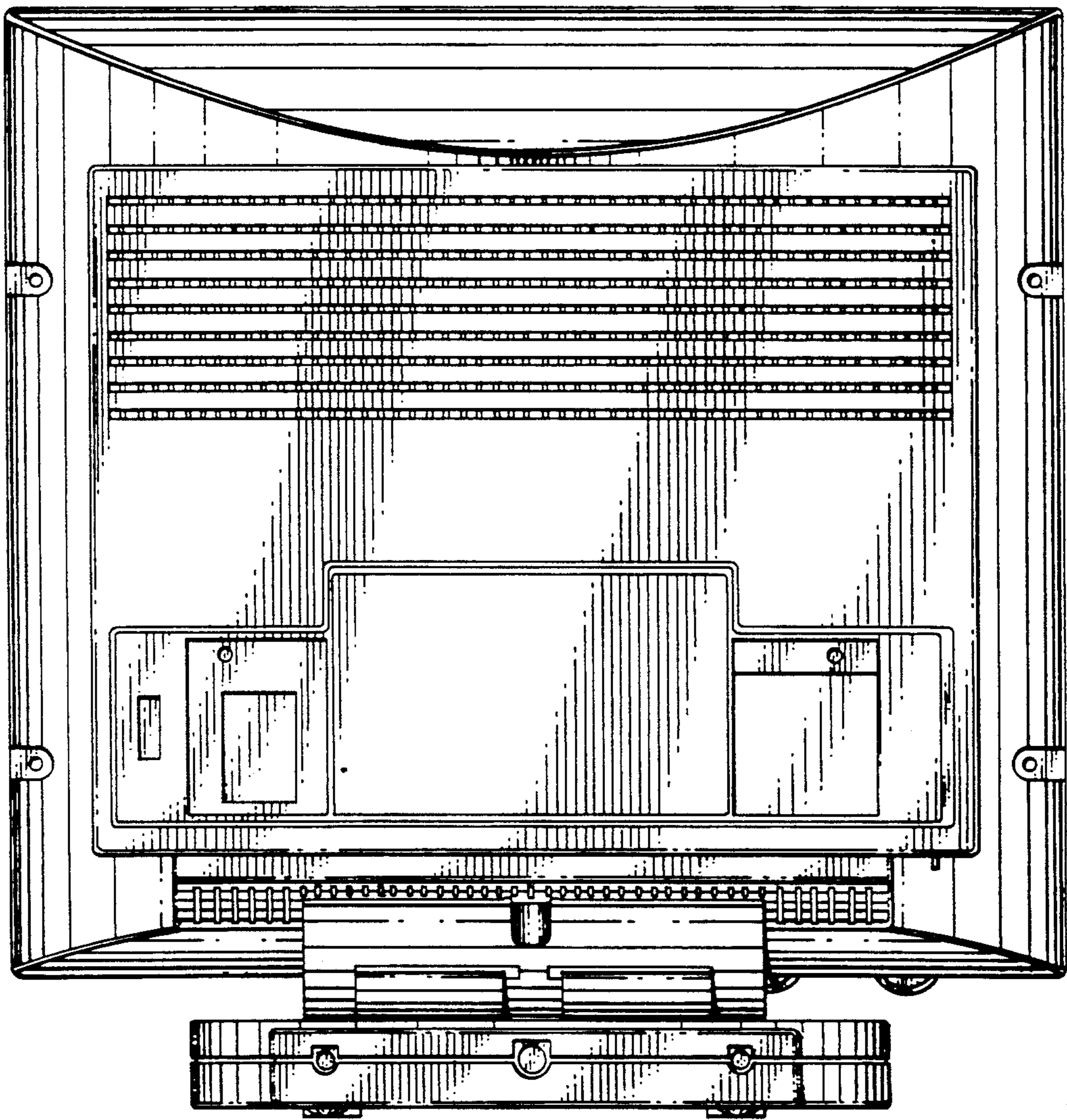


FIG 5

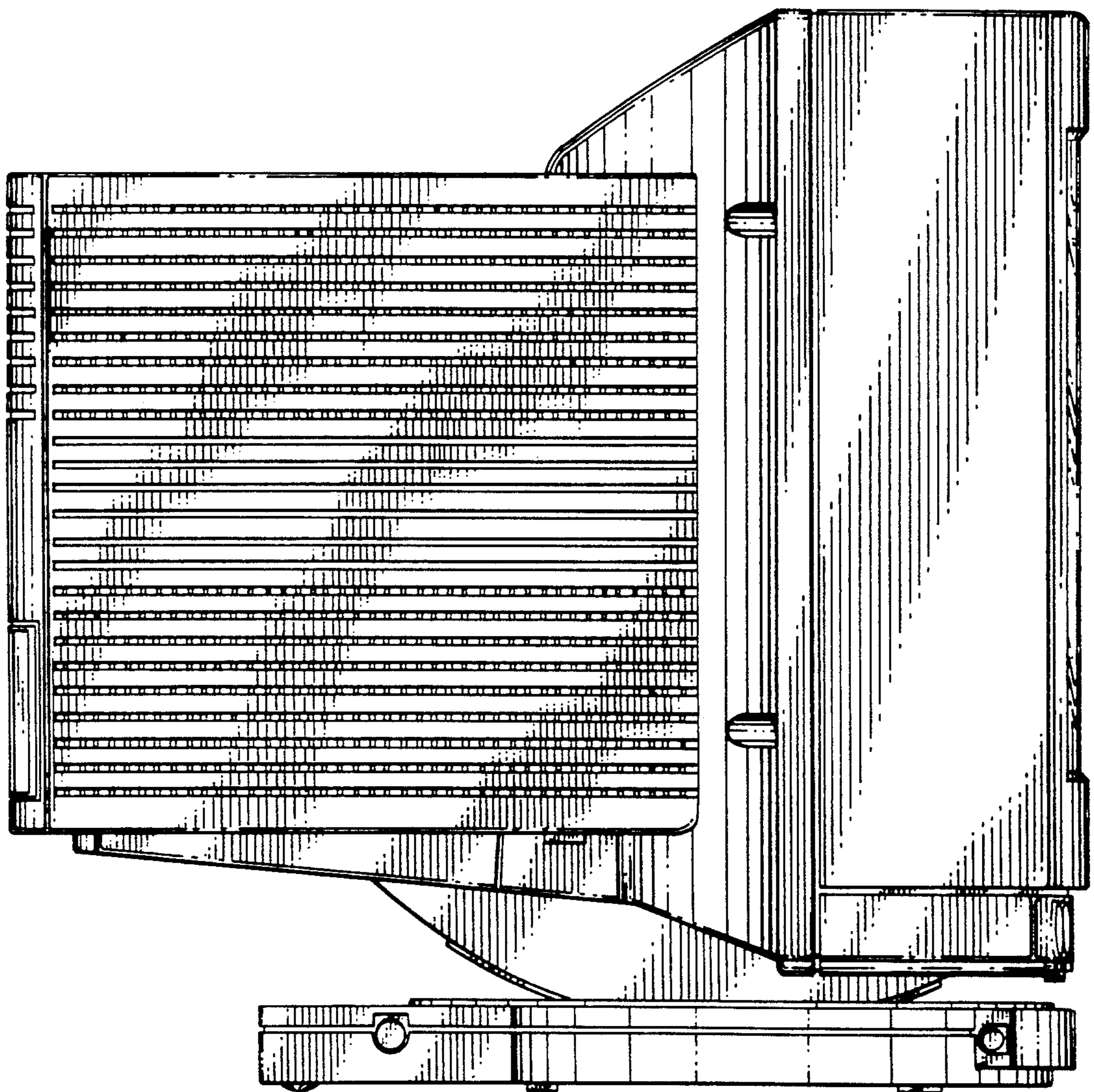


FIG 6

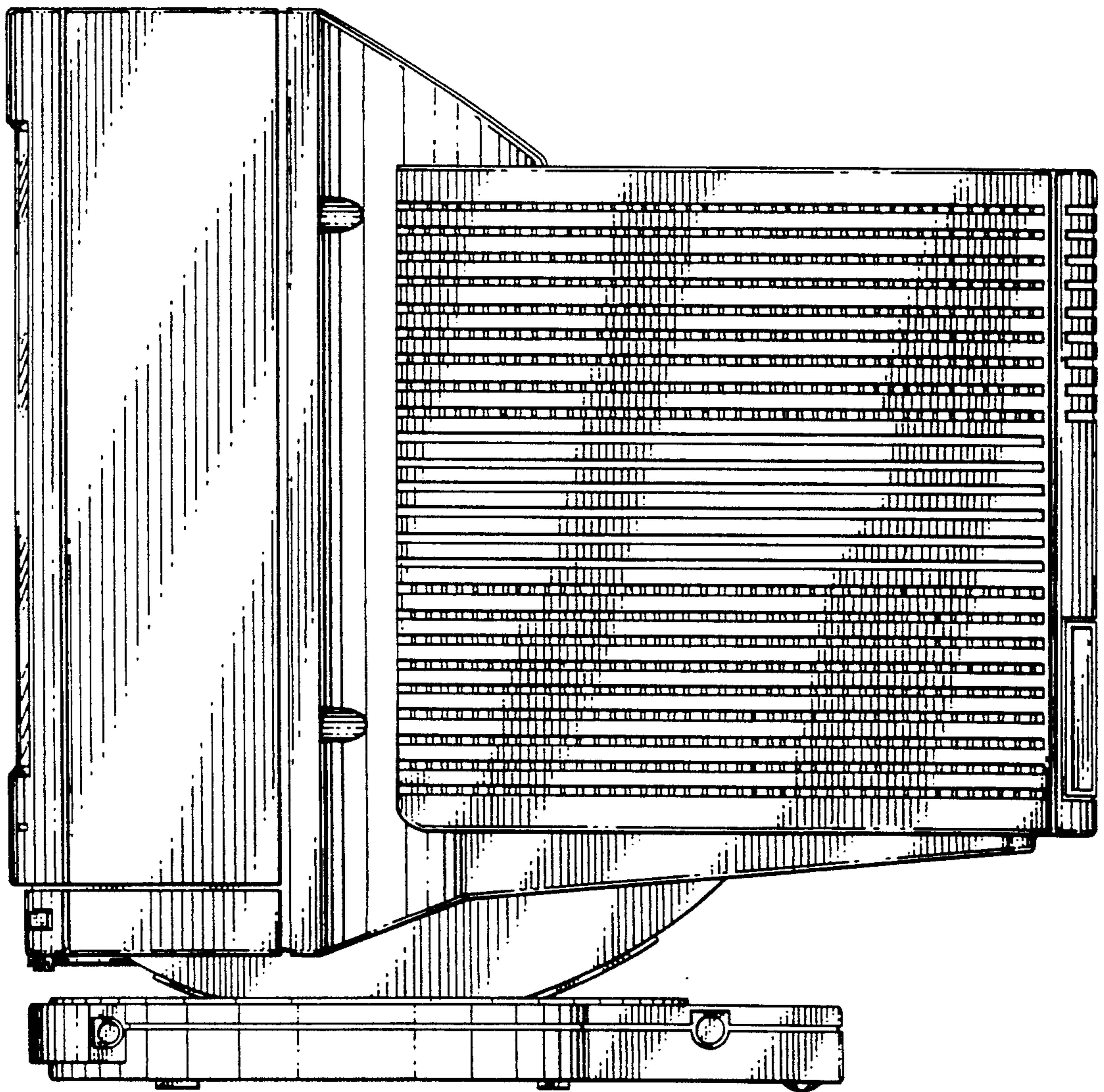


FIG 7

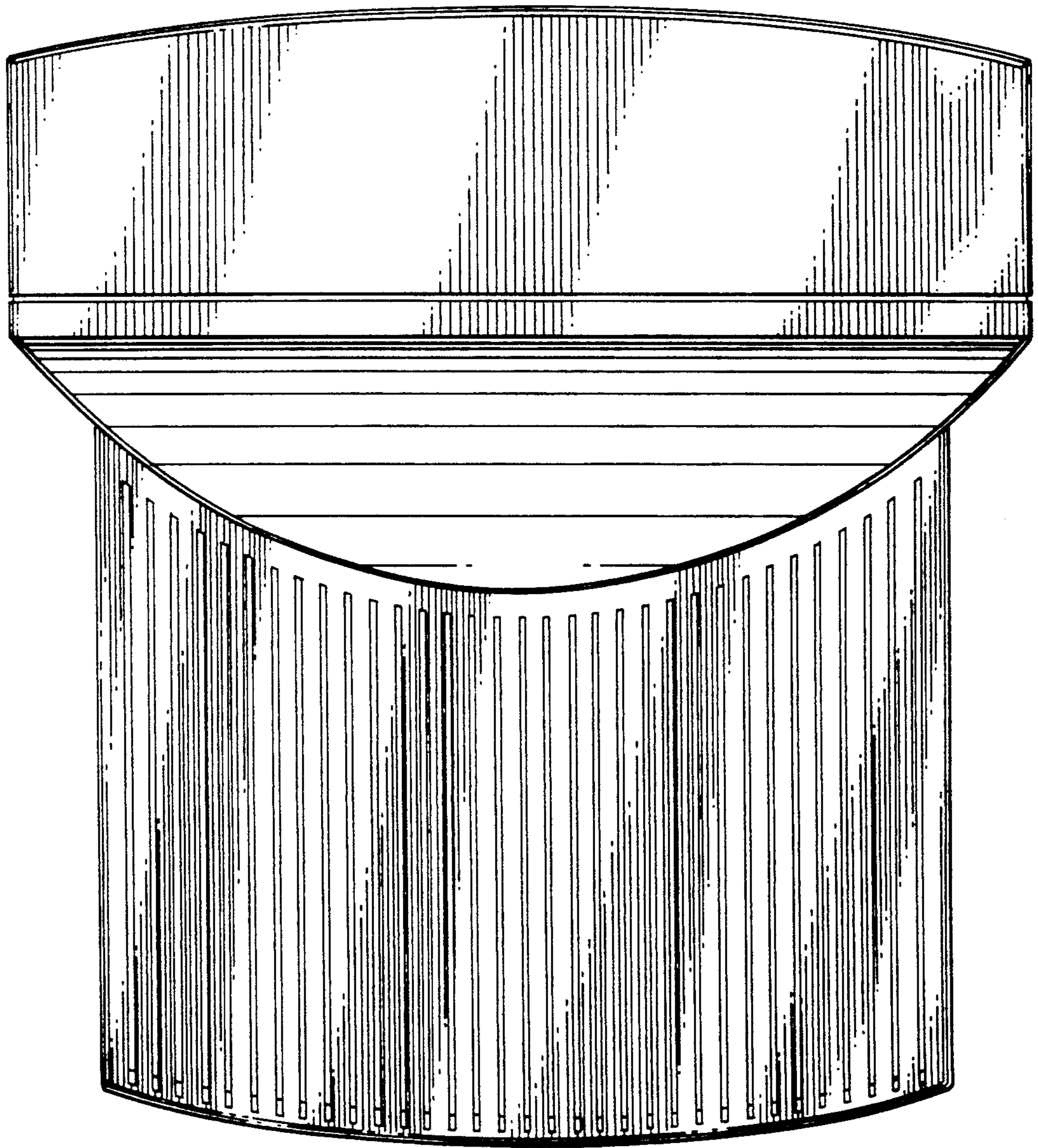


FIG 8

