



US00D340920S

United States Patent [19]

[11] Patent Number: **Des. 340,920**

Okuda et al.

[45] Date of Patent: **** Nov. 2, 1993**

[54] COMPUTER

D. 331,393 12/1992 Iino D14/106

[75] Inventors: Mitsukazu Okuda; Kazumi Osaka; Yasuhiko Mano, all of Nara, Japan

Primary Examiner—Wallace R. Burke
Assistant Examiner—Freda S. Nunn
Attorney, Agent, or Firm—Nixon & Vanderhye

[73] Assignee: Sharp kabushiki Kaisha, Osaka, Japan

[57] CLAIM

[**] Term: 14 Years

The ornamental design for a computer, as shown and described.

[21] Appl. No.: 820,062

DESCRIPTION

[22] Filed: Jan. 13, 1992

[30] Foreign Application Priority Data

Jul. 12, 1991 [JP] Japan 3-20941

[52] U.S. Cl. D14/106

[58] Field of Search D14/100, 101, 106, 115; D18/1, 7, 11, 12; 235/145 A, 145 R; 340/700, 706; 341/22, 23; 364/708, 709.04; 361/390, 394

FIG. 1 is a top front and right side perspective view of a computer according to the present design;
FIG. 2 is a top plan view thereof;
FIG. 3 is a front elevational view thereof;
FIG. 4 is a rear elevational view thereof;
FIG. 5 is a right side elevational view thereof;
FIG. 6 is a left side elevational view thereof;
FIG. 7 is a bottom plan view thereof;
FIG. 8 is a top plan view thereof illustrating the computer in a closed condition;
FIG. 9 is a front elevational view thereof;
FIG. 10 is a right side elevational view thereof;
FIG. 11 is a left side elevational view thereof;
FIG. 12 is a bottom plan view thereof; and,
FIG. 13 is a rear elevational view thereof.

[56] References Cited

U.S. PATENT DOCUMENTS

- D. 307,581 5/1990 Ooshima D14/106
- D. 312,248 11/1990 Seki D14/106
- D. 328,455 8/1992 Izaki D14/106
- D. 330,016 10/1992 Mizusugi et al. D14/106

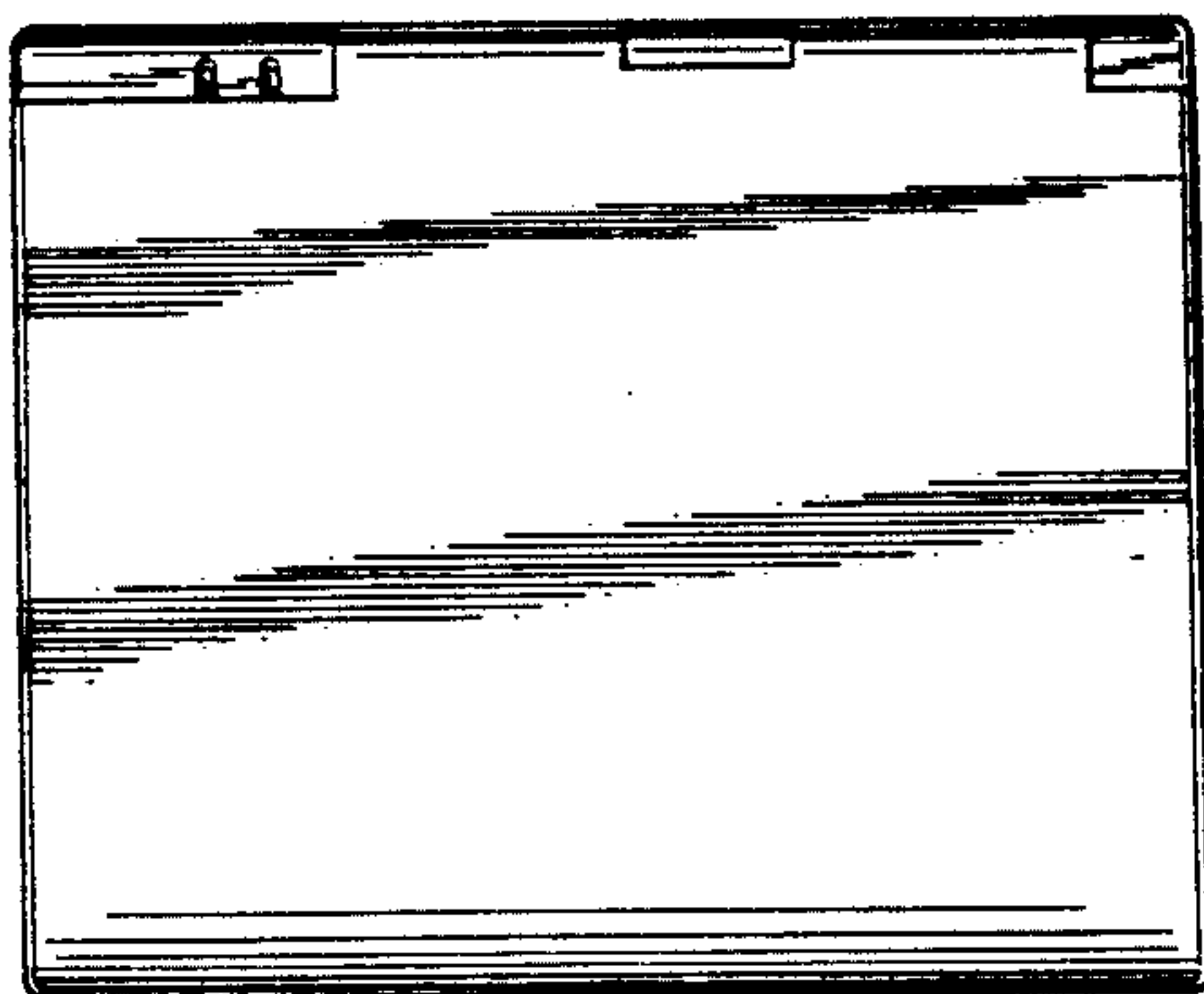
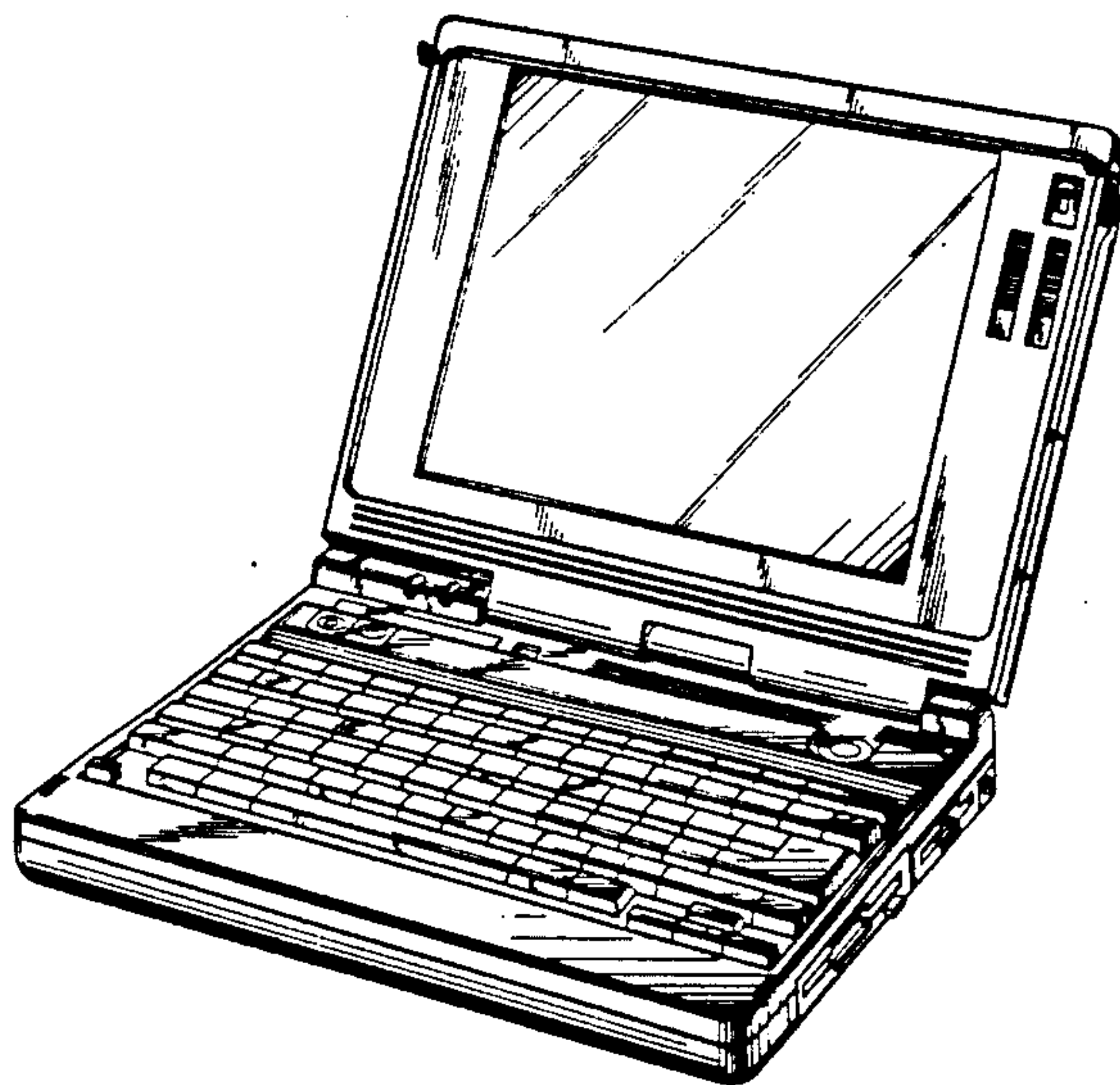


Fig. 1

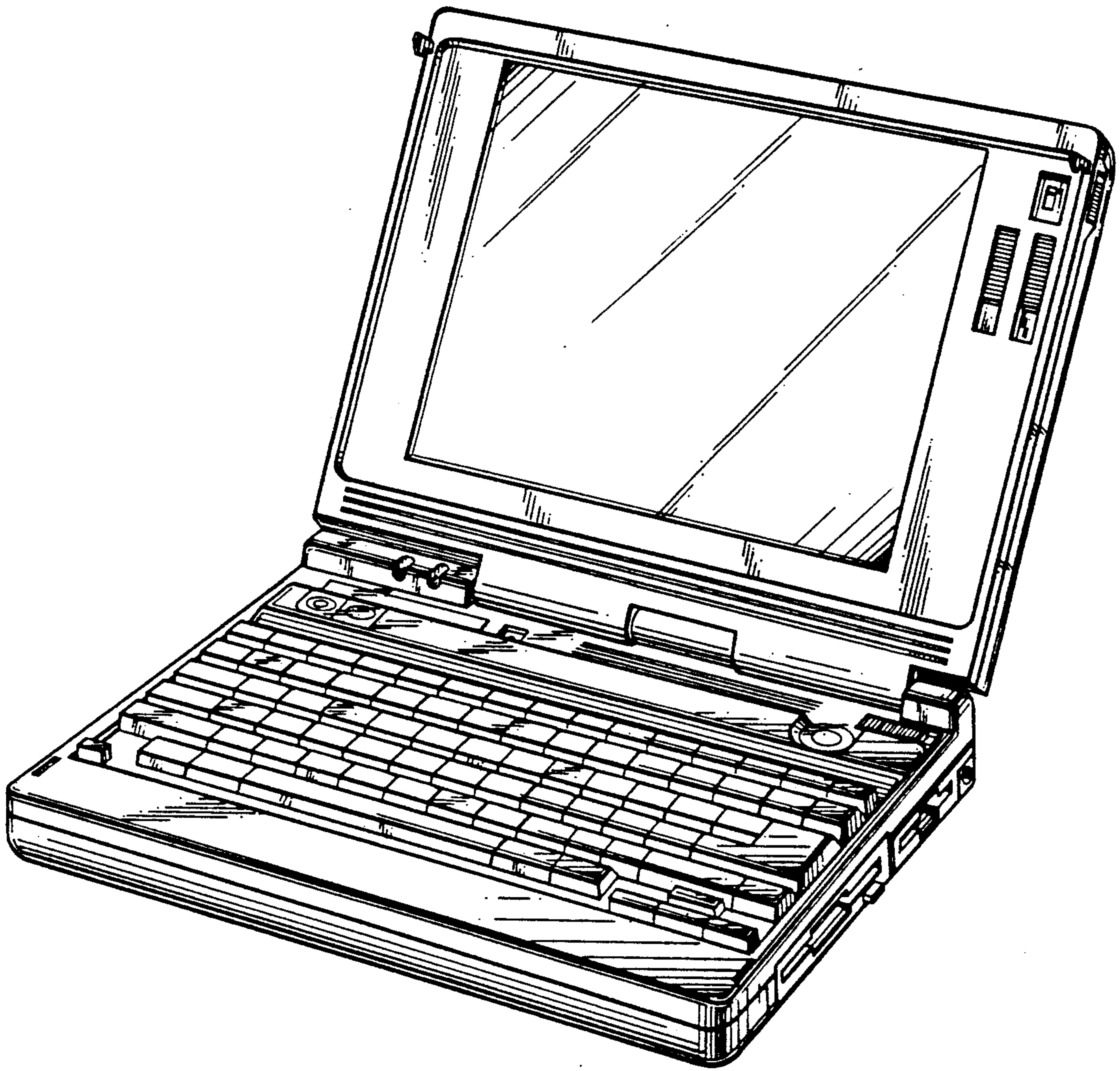


Fig. 2

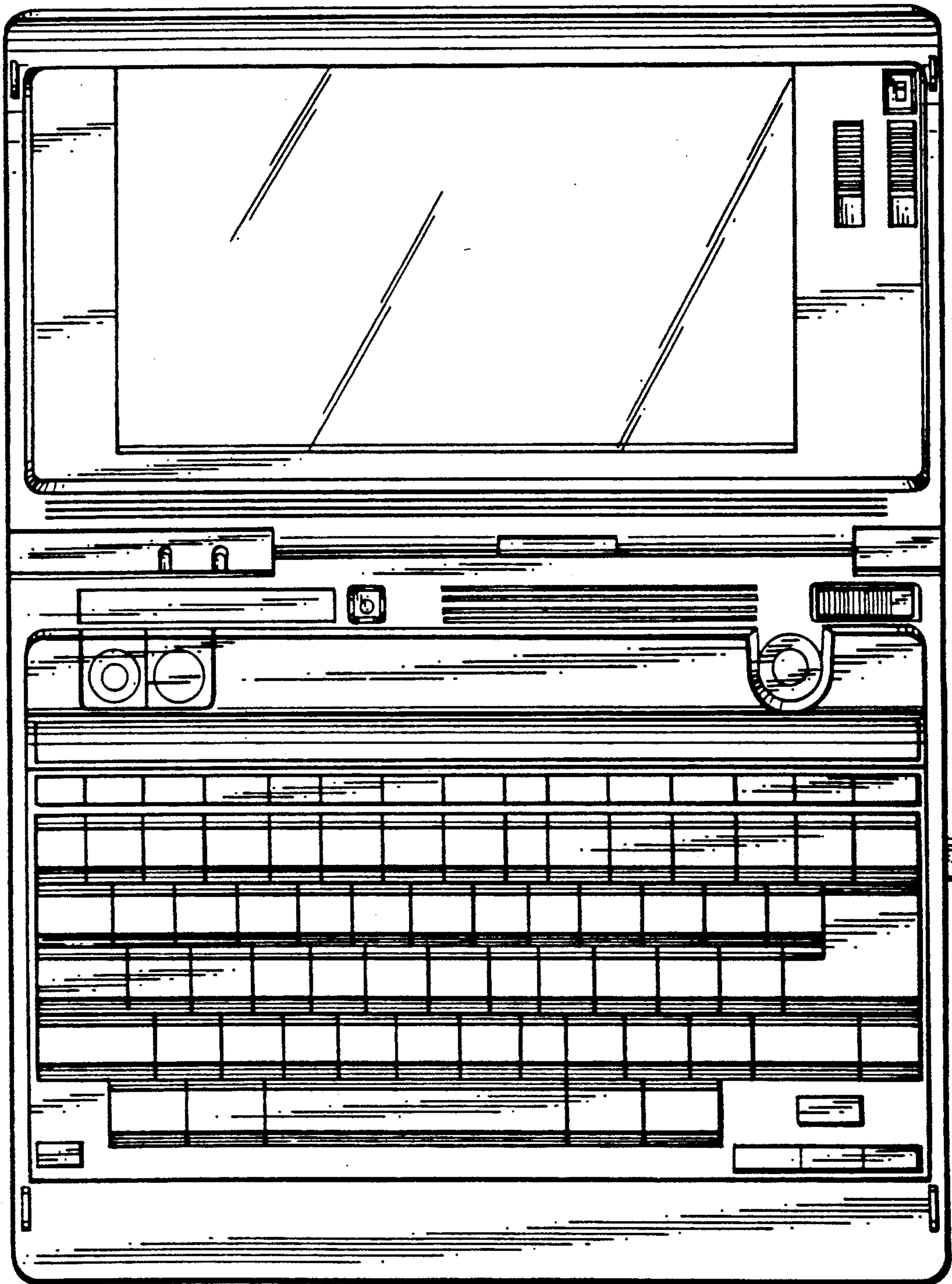


Fig. 3

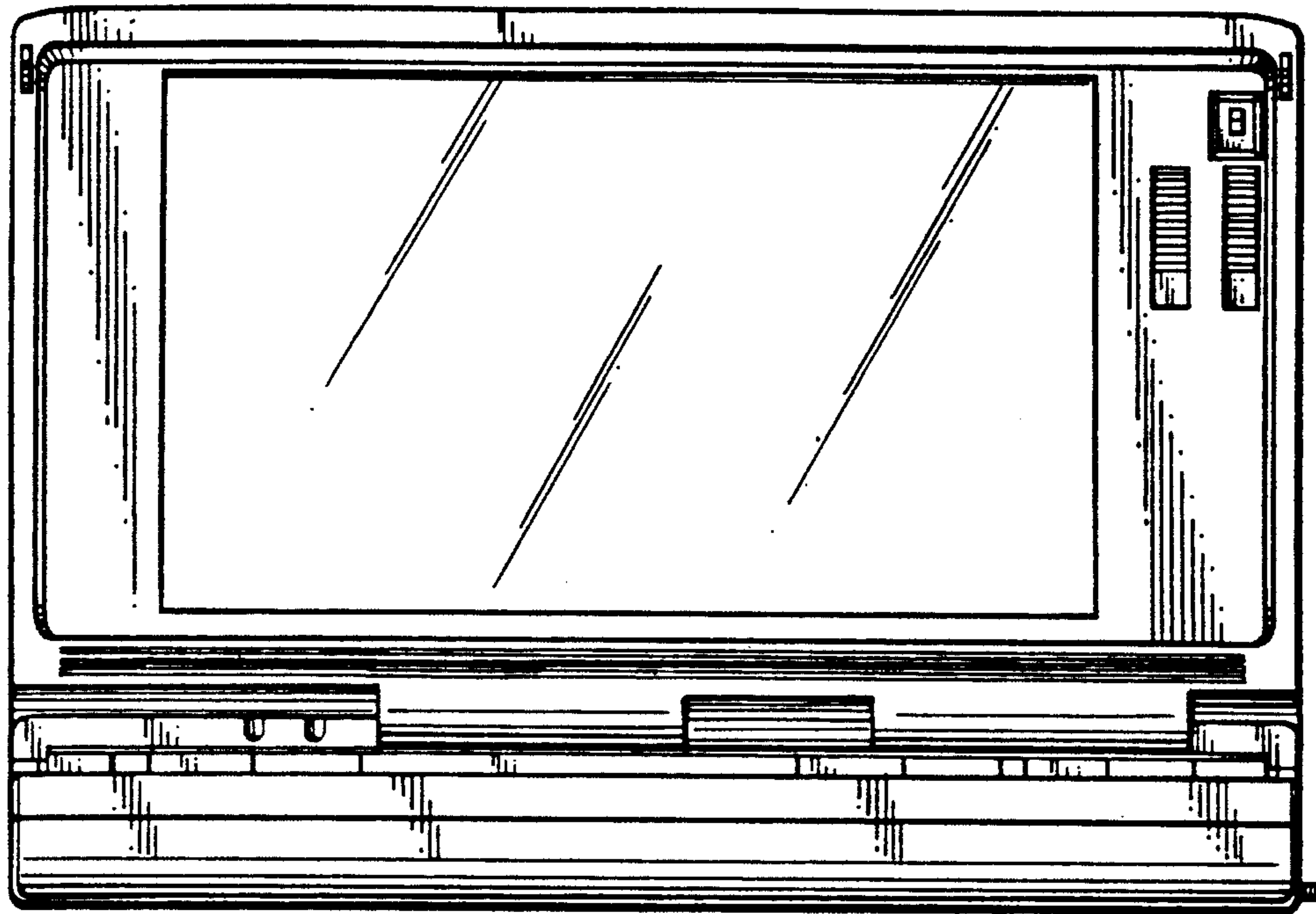


Fig. 4

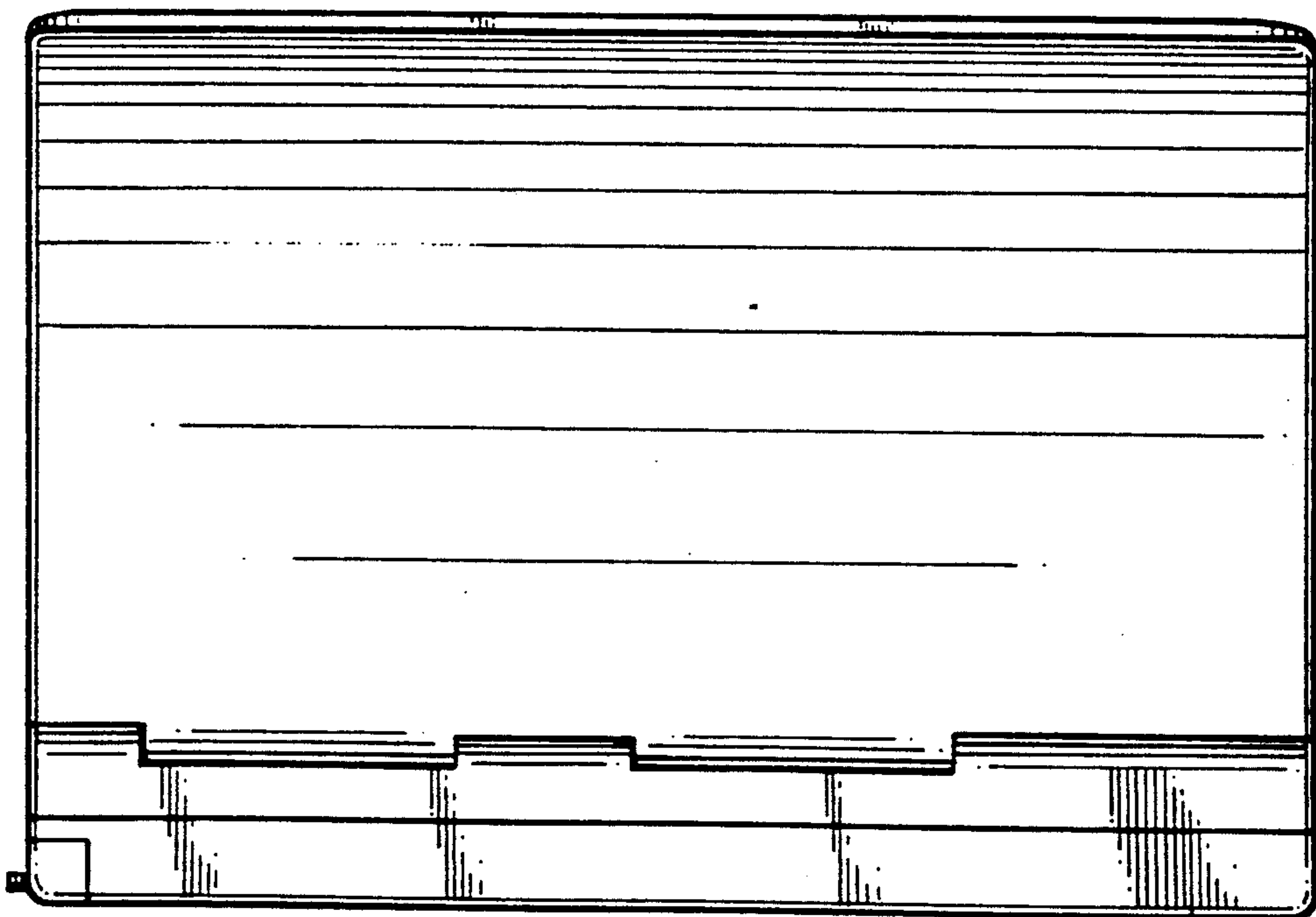


Fig. 5

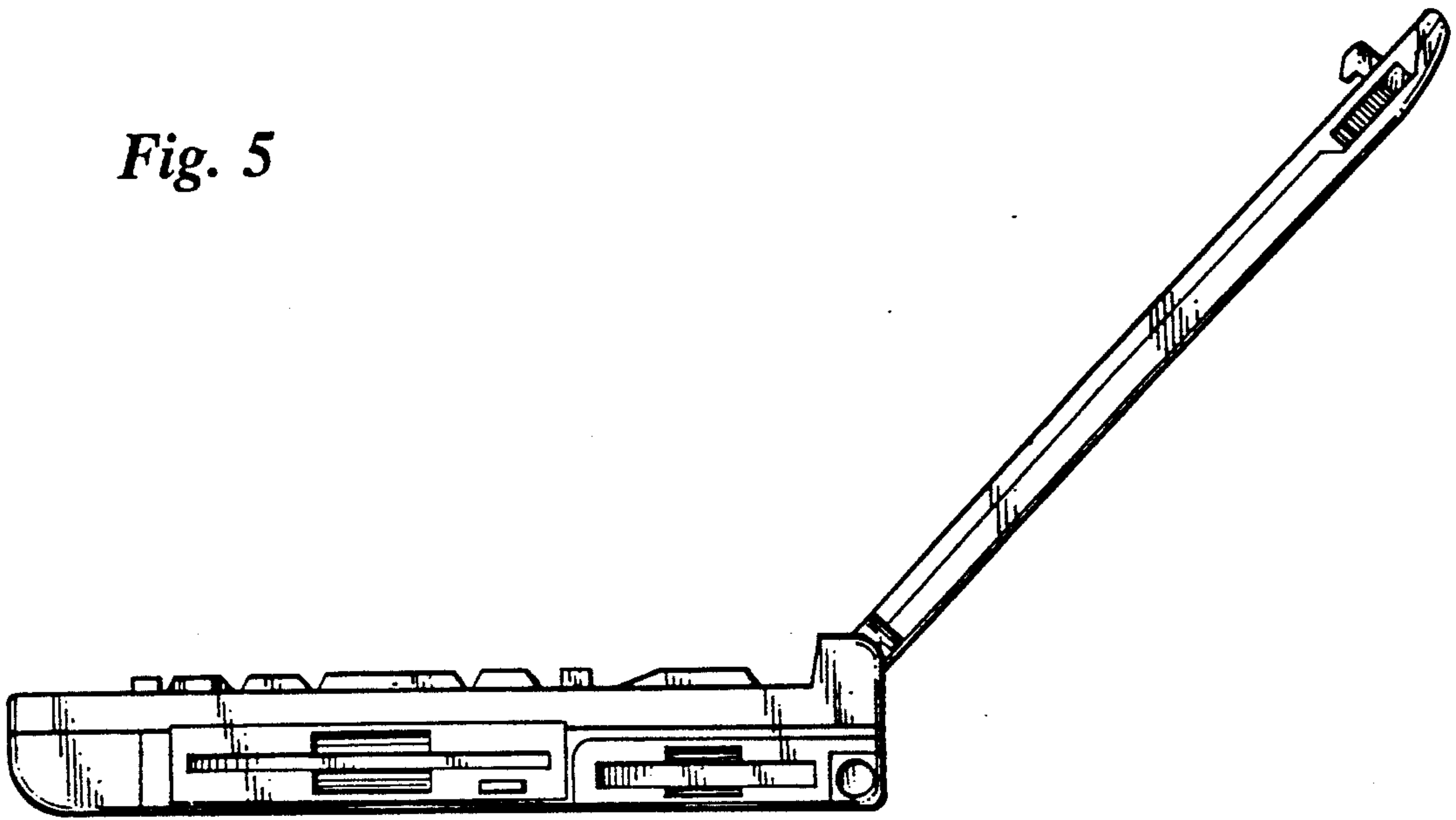


Fig. 6

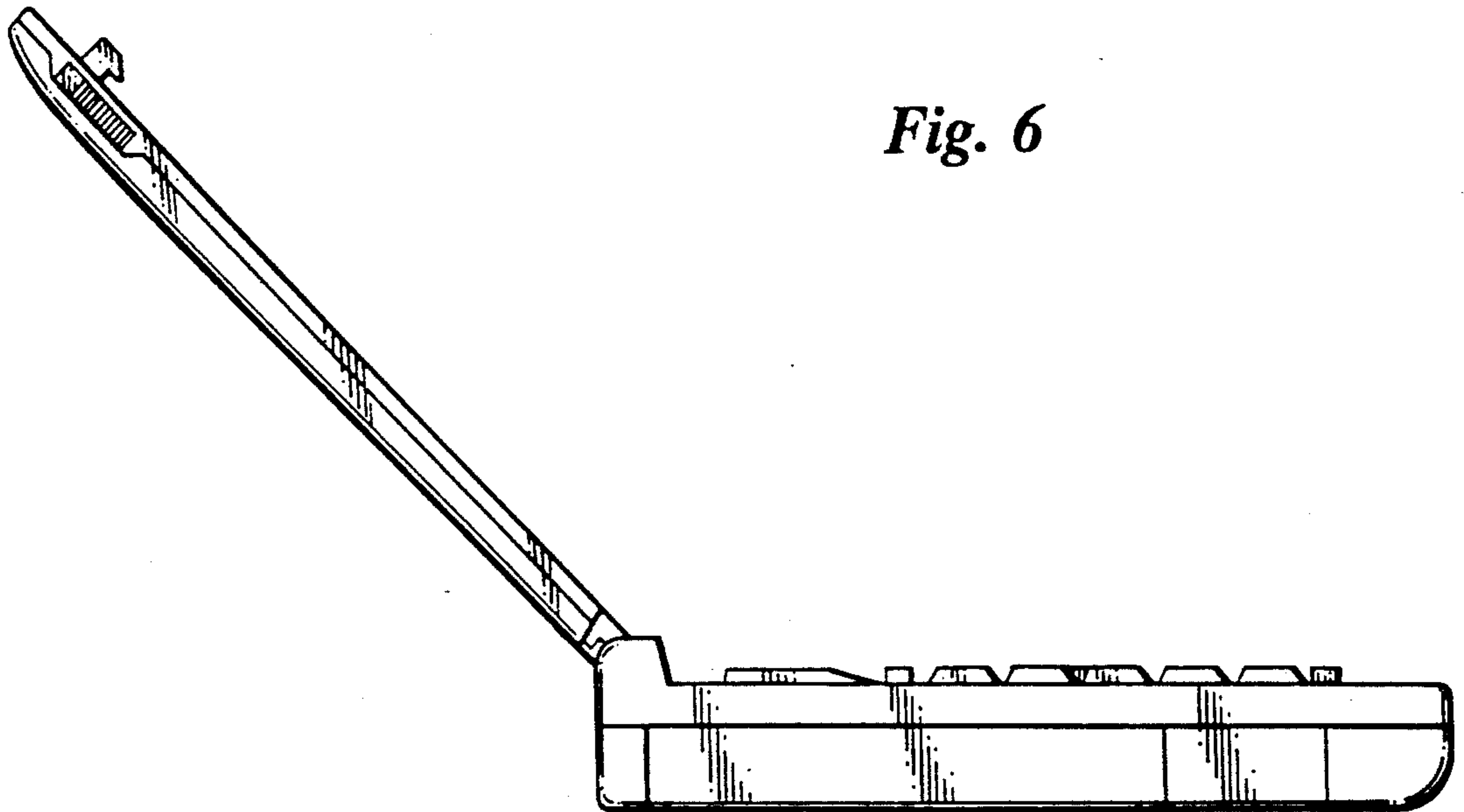


Fig. 7

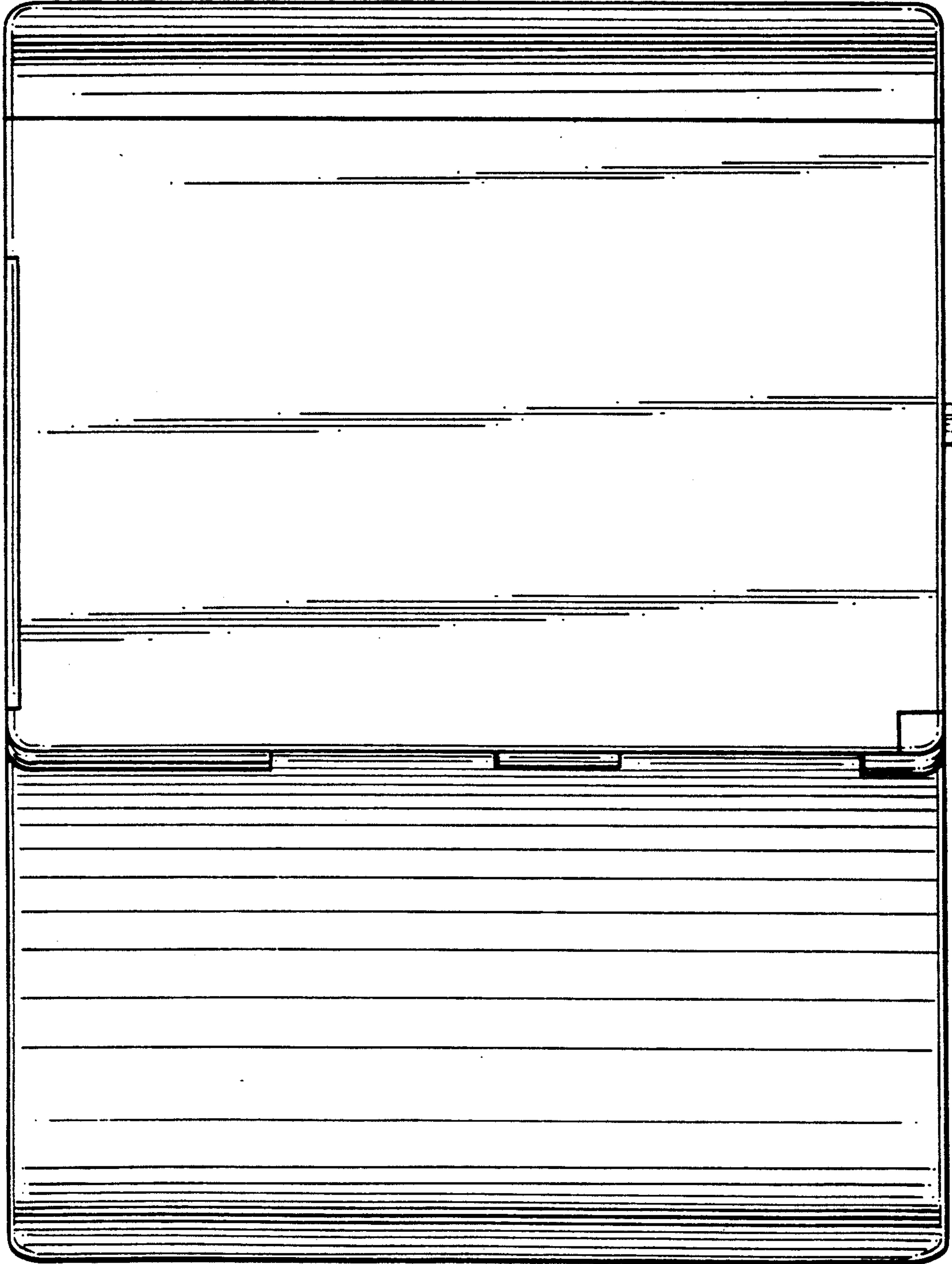


Fig. 8

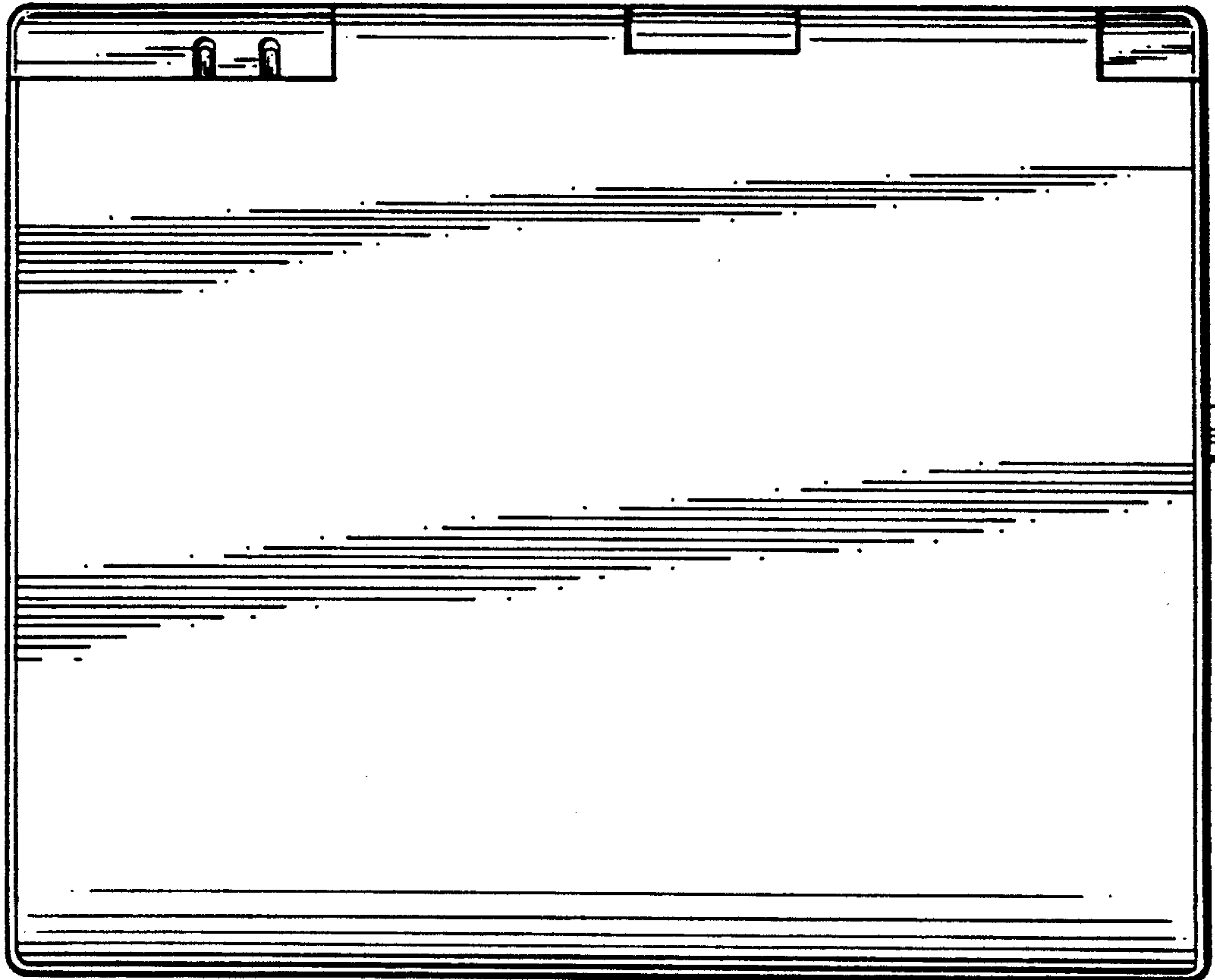


Fig. 9

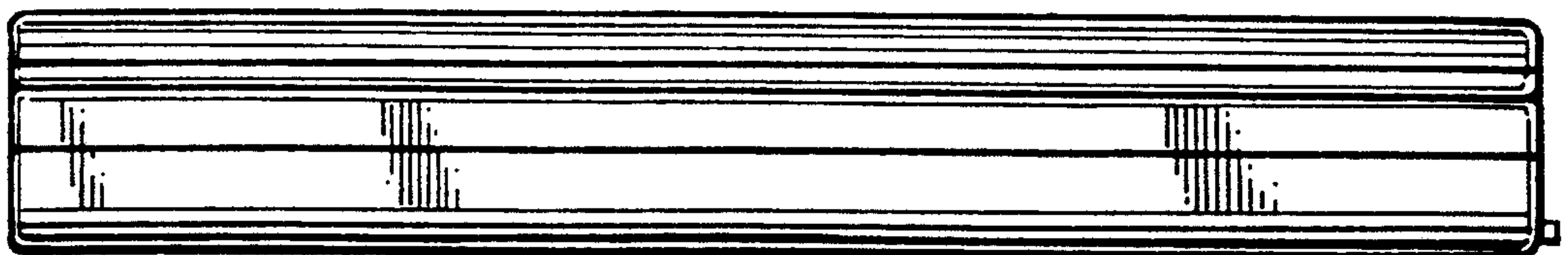


Fig. 10

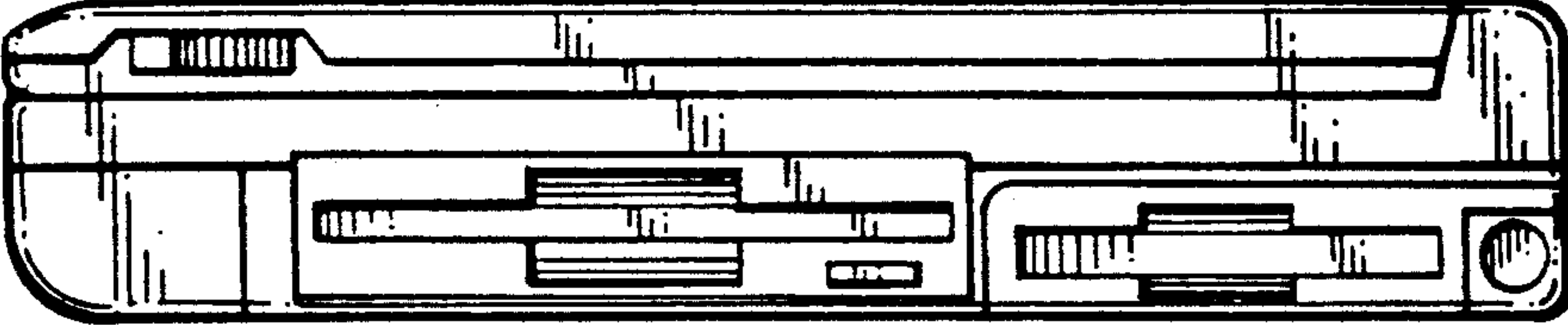


Fig. 11

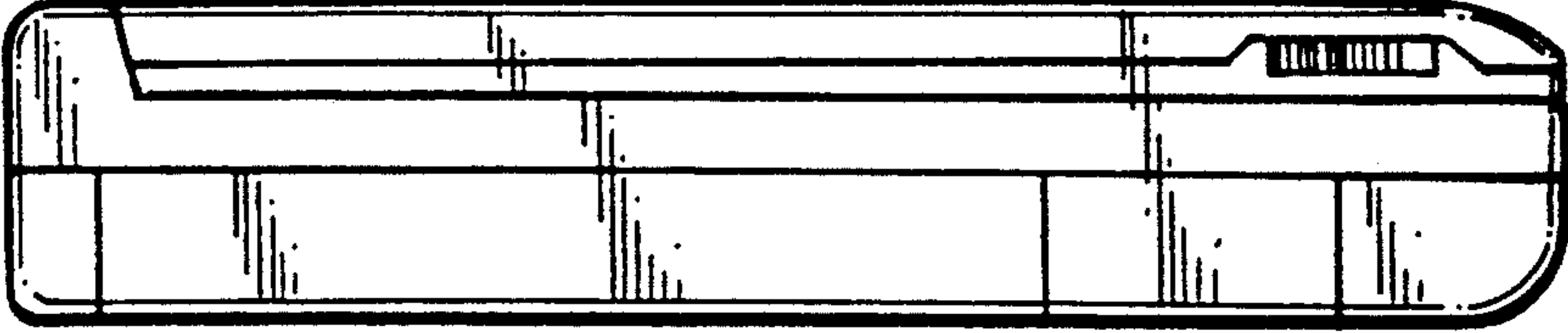


Fig. 12



Fig. 13

