



US00D340911S

United States Patent [19]

[11] Patent Number: **Des. 340,911**

Bowsky et al.

[45] Date of Patent: **** Nov. 2, 1993**

[54] **CONNECTOR BLOCK**

5,131,858 7/1992 Heimbrock 439/685 X

[75] Inventors: **Benjamin Bowsky**, St. Louis County, Mo.; **James F. Horn**, Shelby County, Ohio

Primary Examiner—Wallace R. Burke
Assistant Examiner—Joel Sincavage
Attorney, Agent, or Firm—Polster, Lieder, Woodruff & Lucchesi

[73] Assignee: **Emerson Electric Co.**, St. Louis, Mo.

[**] Term: **14 Years**

[57] **CLAIM**

[21] Appl. No.: **717,720**

The ornamental design for a connector block, as shown and described.

[22] Filed: **Jun. 19, 1991**

DESCRIPTION

[52] U.S. Cl. **D13/146**

[58] Field of Search D13/133, 146, 147;
439/582, 620, 685, 694, 709

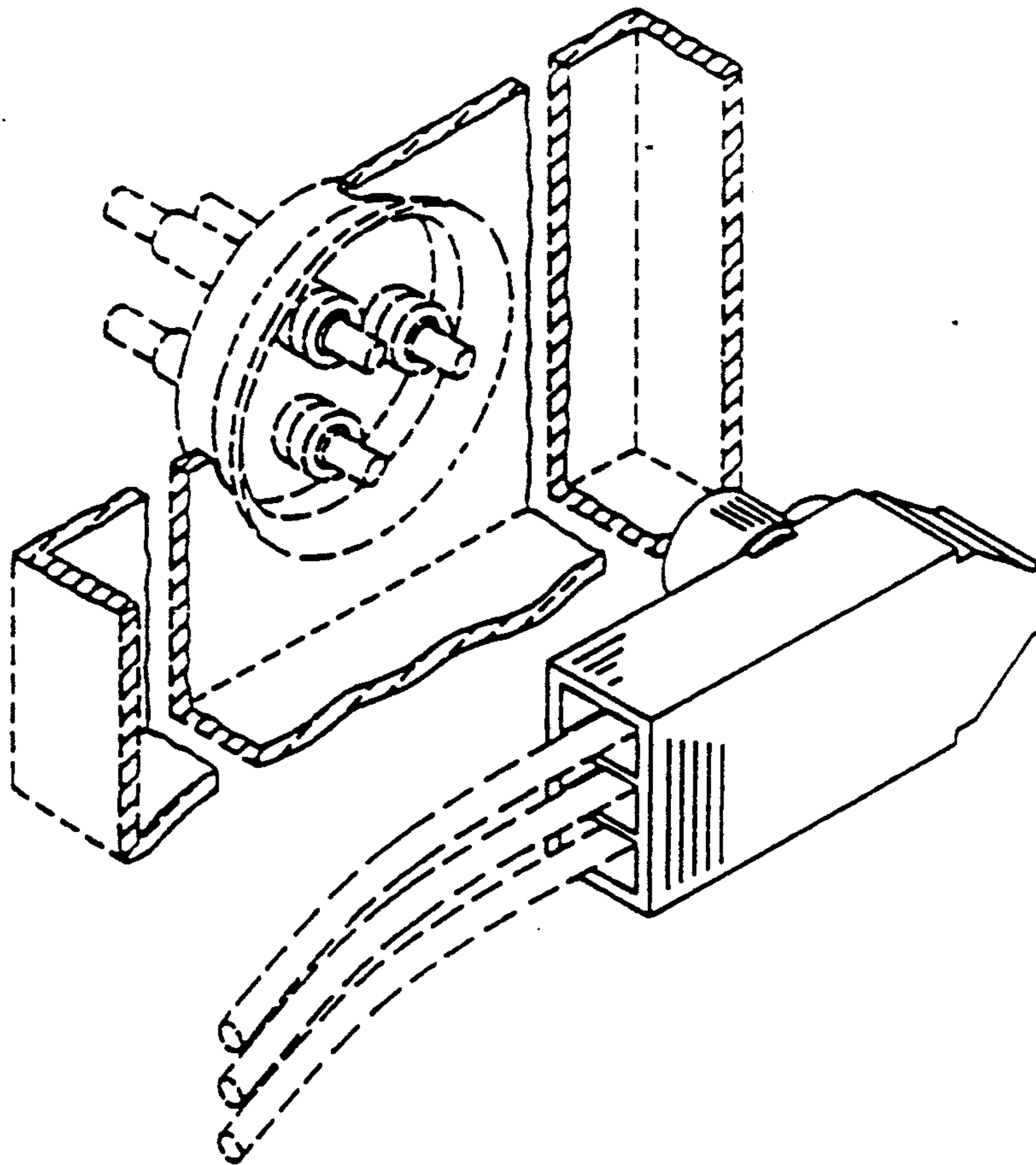
FIG. 1 is a rear and lower right isometric view of a connector block showing our new design. The broken line showing is included for the purpose of illustrating environmental elements only and forms no part of the claimed design;

[56] **References Cited**

U.S. PATENT DOCUMENTS

3,566,341	2/1971	Skony	439/685
3,825,882	7/1974	Tucker	439/694 X
3,850,496	11/1974	Hague	439/685
3,917,377	11/1975	Hall et al.	439/685 X
3,980,383	9/1976	Dickey et al.	439/709
4,109,992	8/1978	Hughes et al.	439/620
4,966,559	10/1990	Wisener	439/685 X
5,035,653	7/1991	Honkomp et al.	439/685 X

FIG. 2 is a front elevational view thereof;
FIG. 3 is a left side elevational view thereof, the right side elevational view thereof being a mirror image;
FIG. 4 is a rear elevational view thereof;
FIG. 5 is a bottom plan view thereof shown on an enlarged scale; and,
FIG. 6 is a top plan view thereof also shown on an enlarged scale.



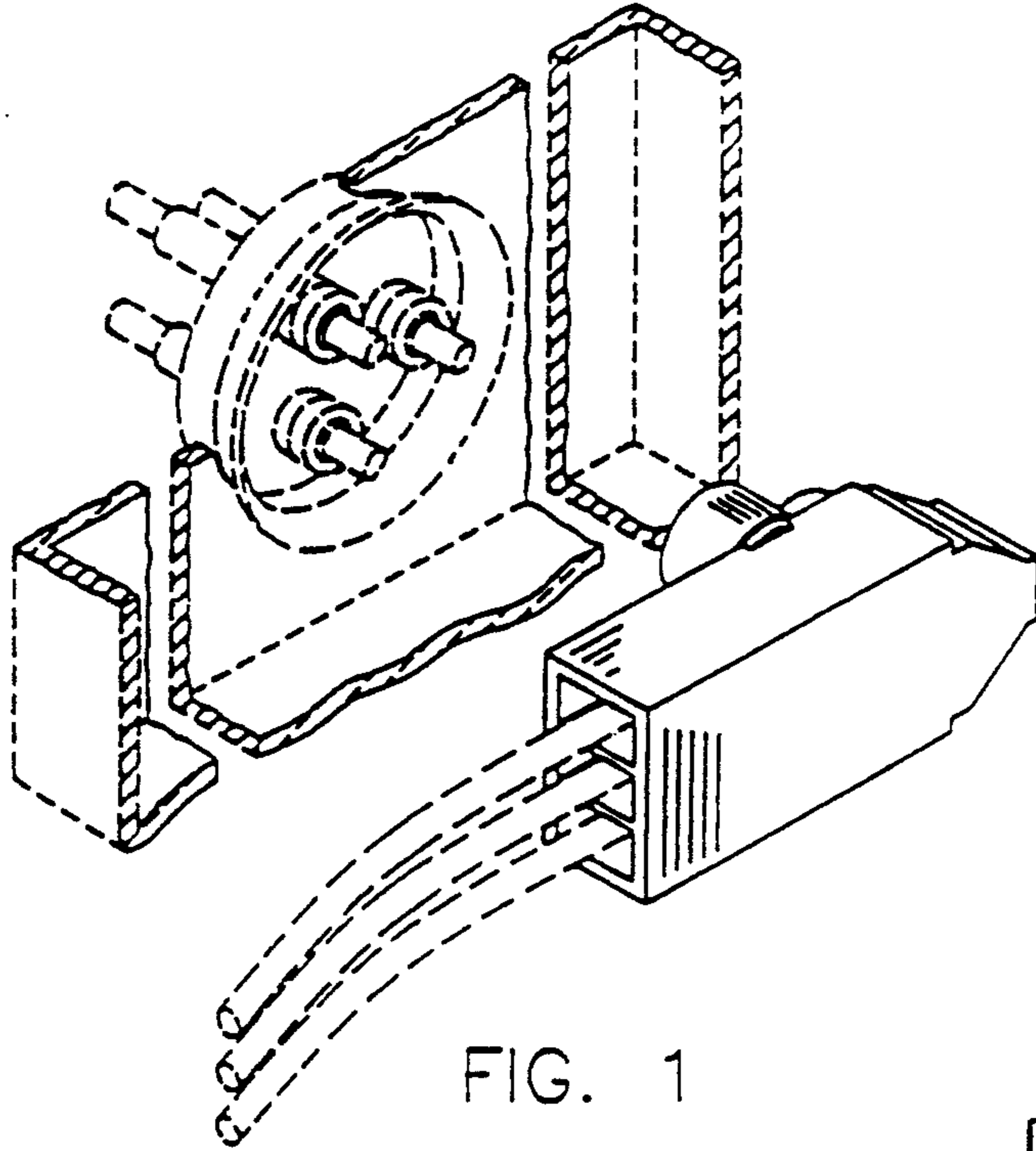


FIG. 1

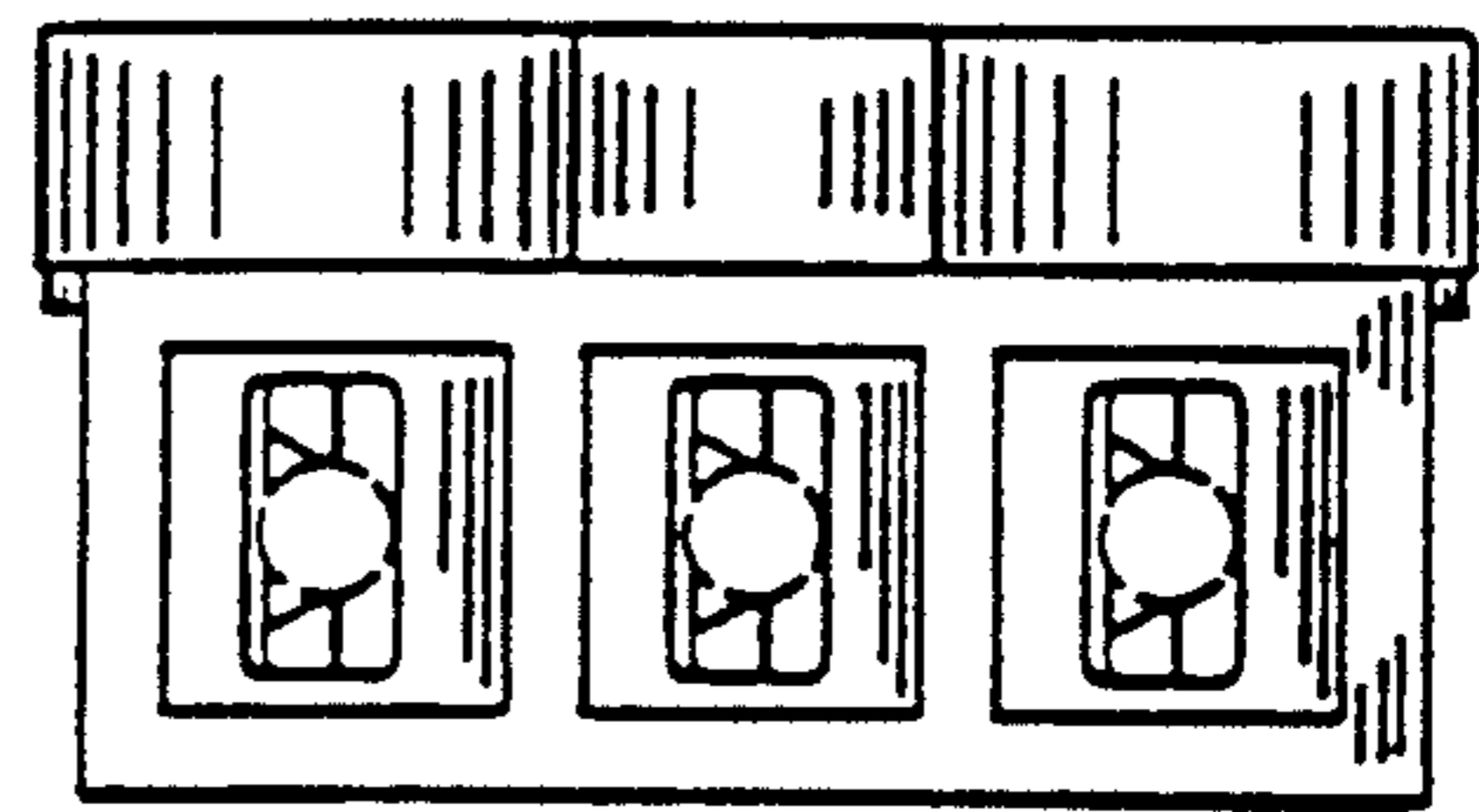


FIG. 5

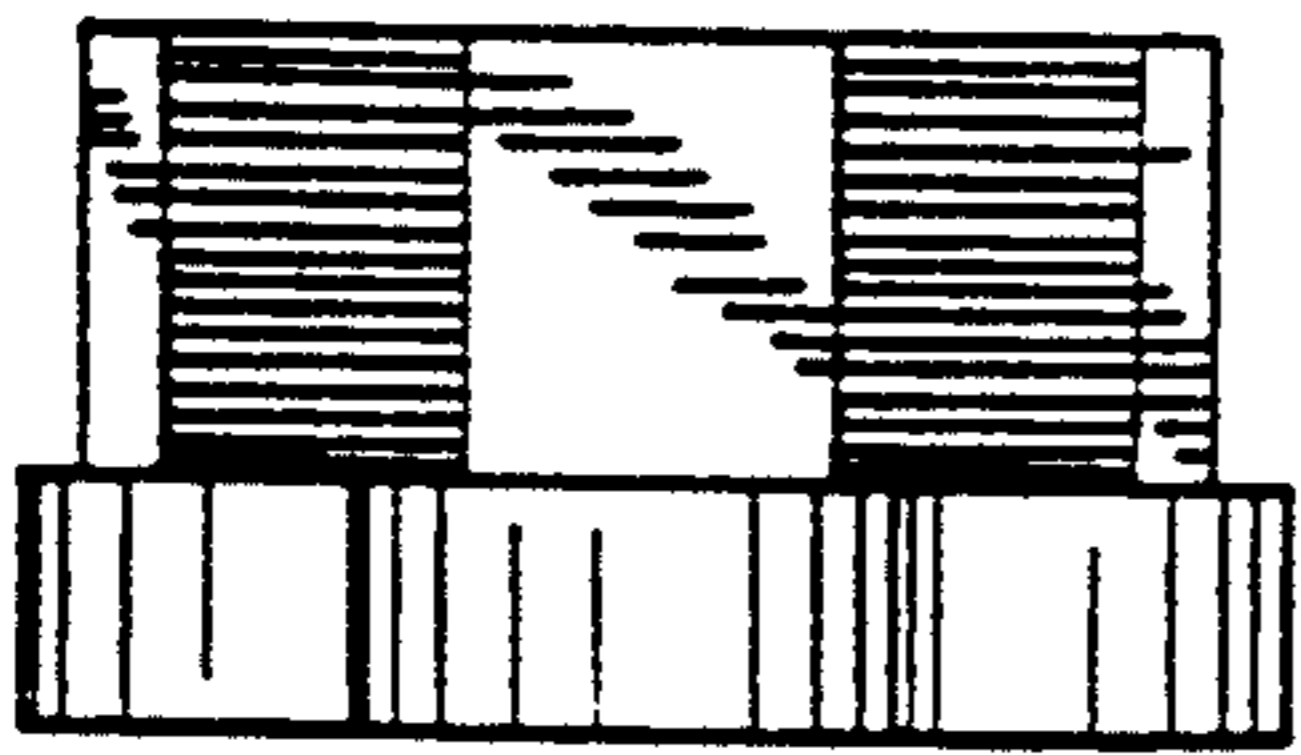


FIG. 6

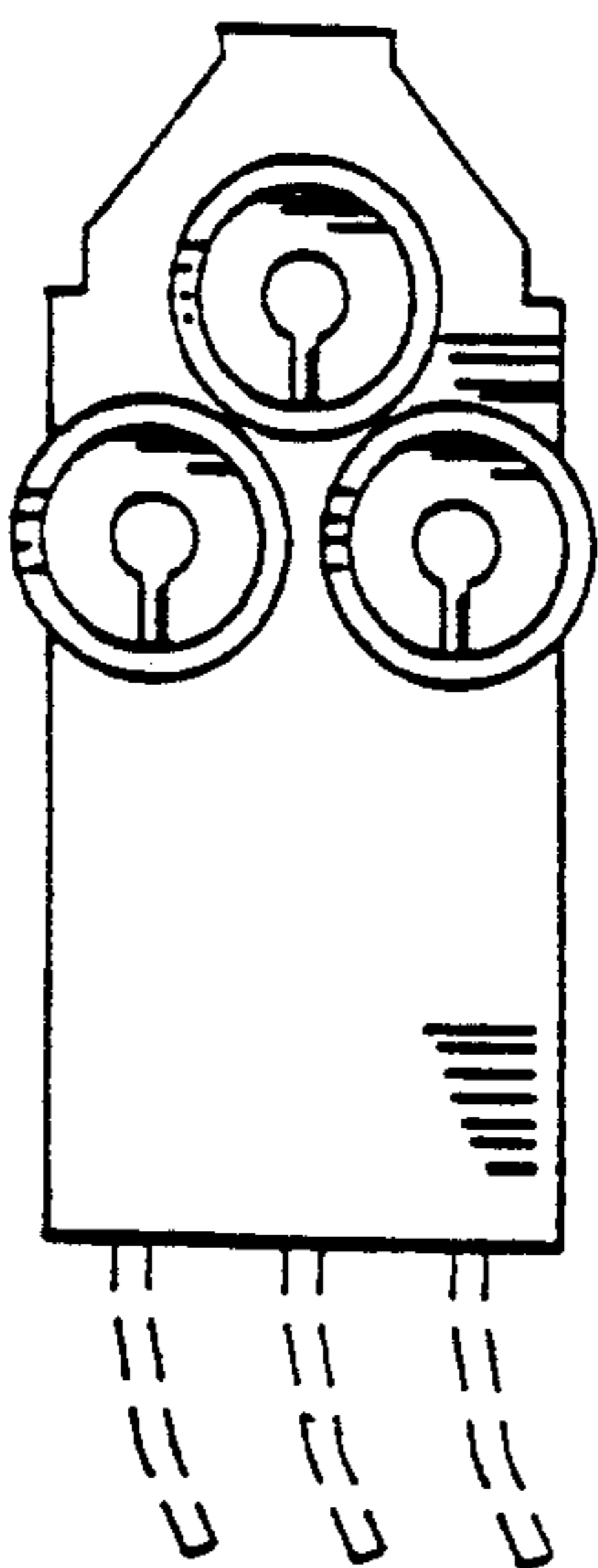


FIG. 2

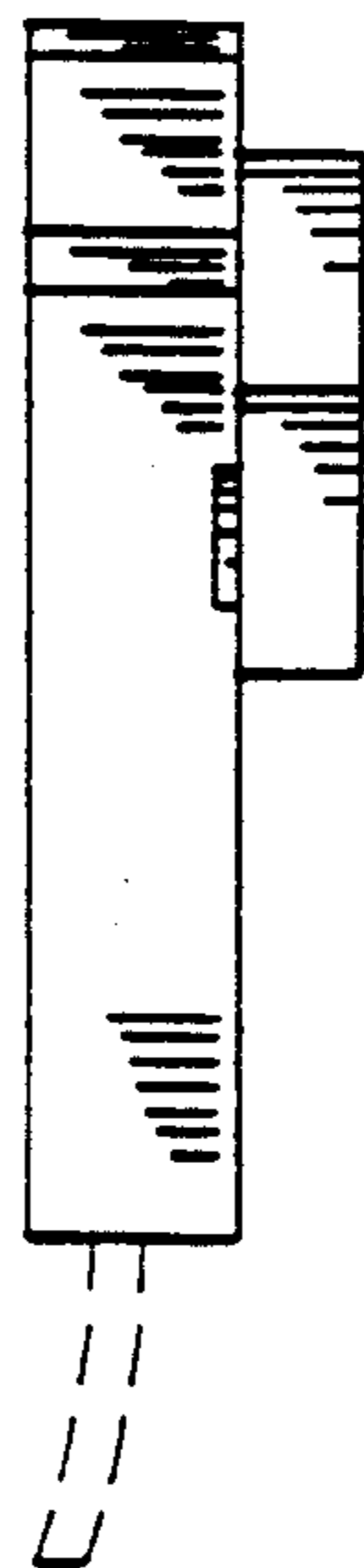


FIG. 3

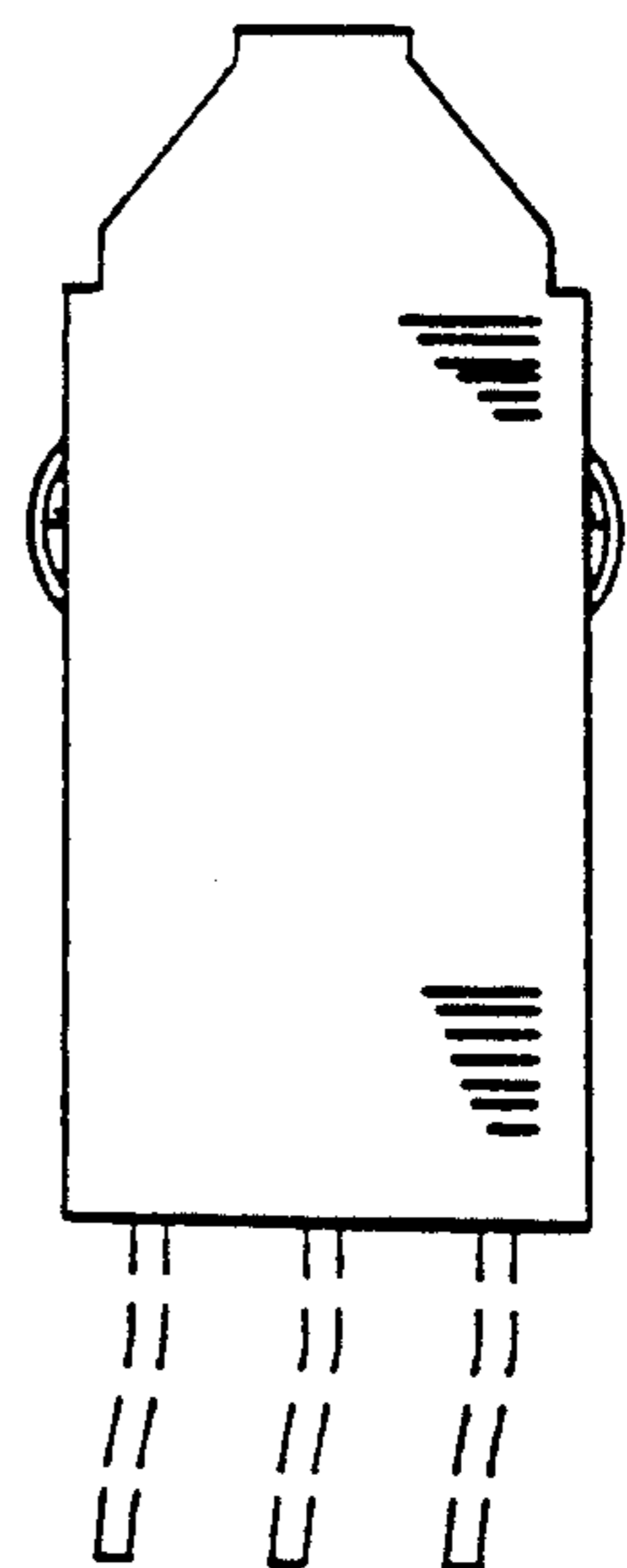


FIG. 4