



US00D340910S

United States Patent [19]

[11] Patent Number: **Des. 340,910**

Hollander et al.

[45] Date of Patent: **** Nov. 2, 1993**

[54] ELECTRICAL CONNECTOR FOR TEMPERATURE MEASURING EQUIPMENT

[75] Inventors: **Milton B. Hollander**, Stamford; **David R. Jacobs**, Norwalk; **William E. McKinley**, Stamford, all of Conn.

[73] Assignee: **Omega Engineering, Inc.**, Stamford, Conn.

[*] Notice: The portion of the term of this patent subsequent to Dec. 22, 2006 has been disclaimed.

[**] Term: **14 Years**

[21] Appl. No.: **710,298**

[22] Filed: **Jun. 4, 1991**

[52] U.S. Cl. **D13/133; D13/138**

[58] Field of Search **D13/133, 137, 138; 439/169, 219, 482, 502, 600, 620, 638, 692, 809, 912**

[56] References Cited

U.S. PATENT DOCUMENTS

4,116,524	9/1978	De Nigris et al.	439/620 X
4,394,057	8/1983	Williams et al.	439/502 X
4,834,677	5/1989	Archang	439/638 X

FOREIGN PATENT DOCUMENTS

D019773	12/1956	Fed. Rep. of Germany	439/600
3836441	5/1988	Fed. Rep. of Germany	439/809
1338485	11/1973	United Kingdom	439/692

OTHER PUBLICATIONS

Connectors on p. 12 of Omega Thermocouple Connector Systems Handbook, copyright 1983.

Connectors on p. 18 of Omega Thermocouple Connector Systems Handbook, copyright 1983.

Connector on p. 6 of Control & Instrumentation, Apr. 1989.

Primary Examiner—Wallace R. Burke

Assistant Examiner—Joel Sincavage

Attorney, Agent, or Firm—Bruce E. Hosmer; Howard S. Reiter

[57] CLAIM

The ornamental design for an electrical connector for temperature measuring equipment, as shown and described.

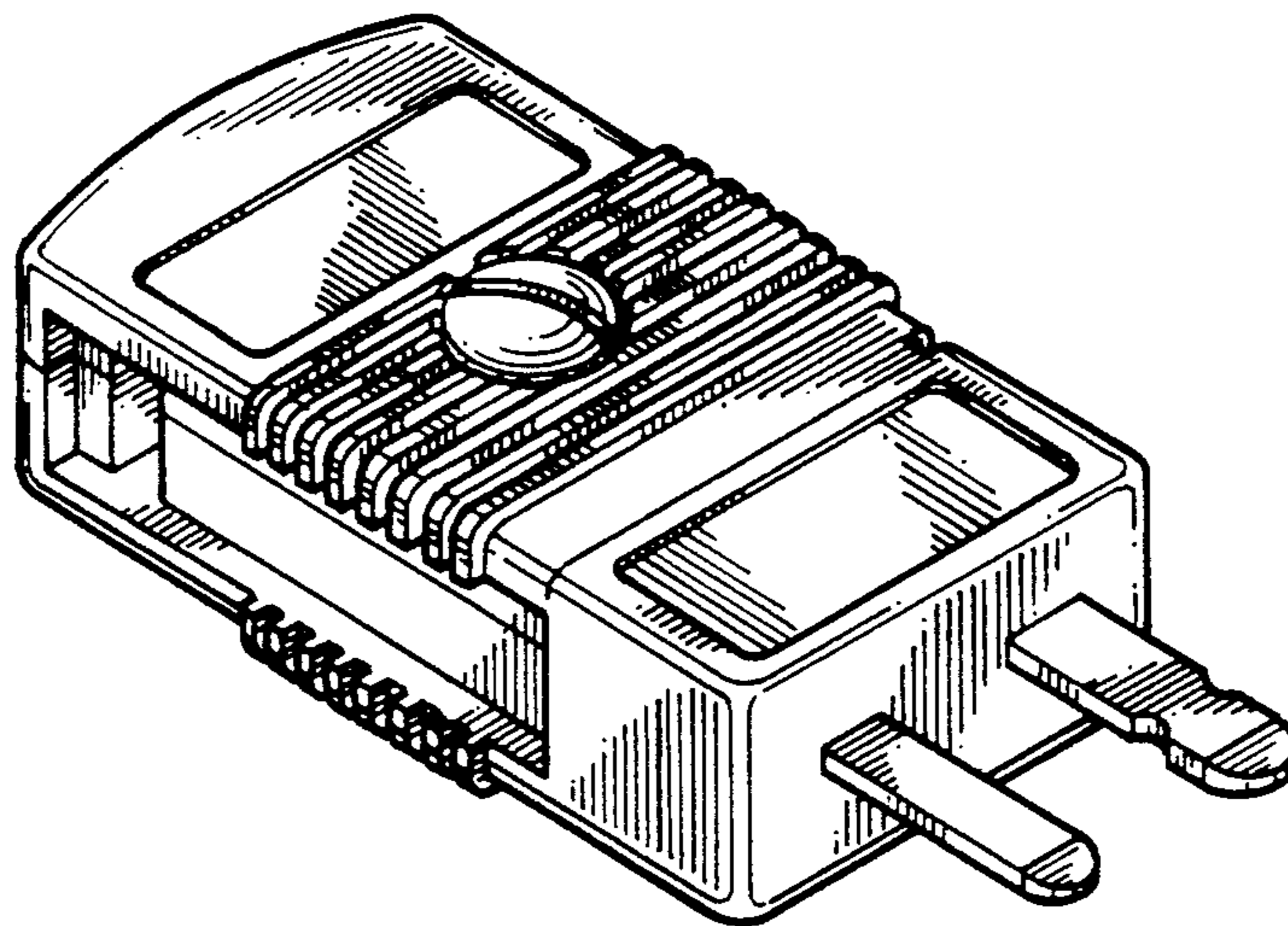
DESCRIPTION

FIG. 1 is a front and lower left perspective view of an electrical connector for temperature measuring equipment showing our new design;

FIG. 2 is a right side elevational view thereof;

FIG. 3 is a top plan view thereof; and,

FIG. 4 is a rear elevational view thereof.



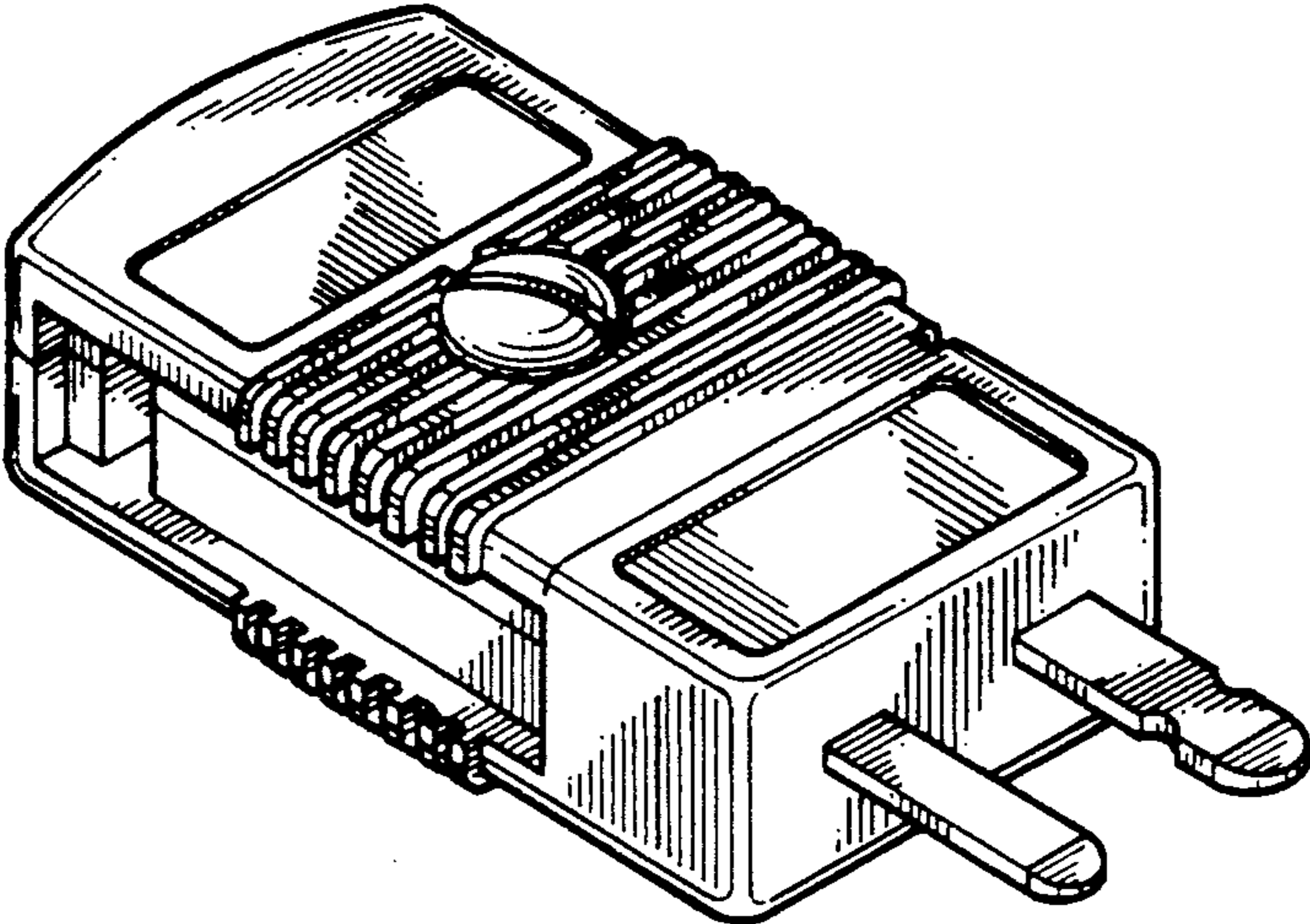


FIG. 1

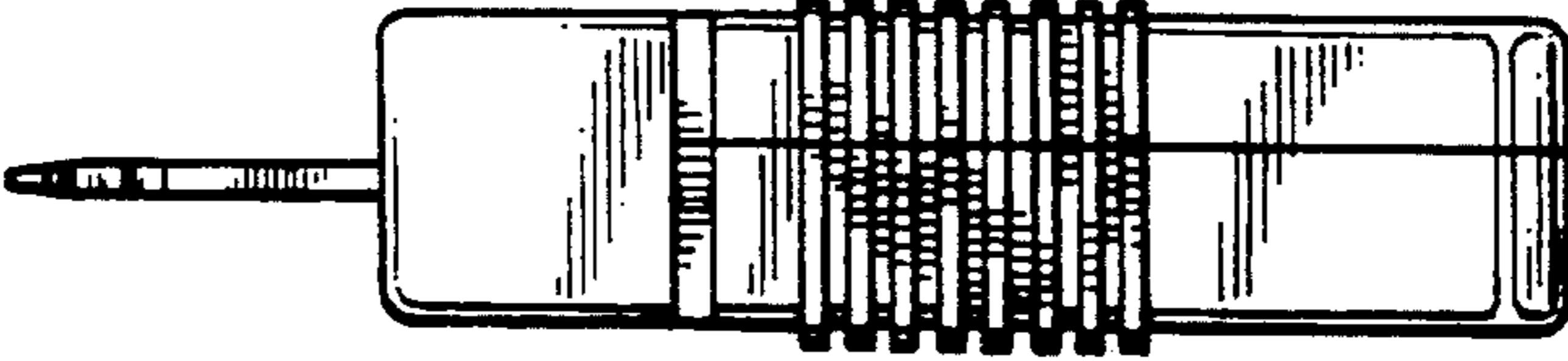


FIG. 2

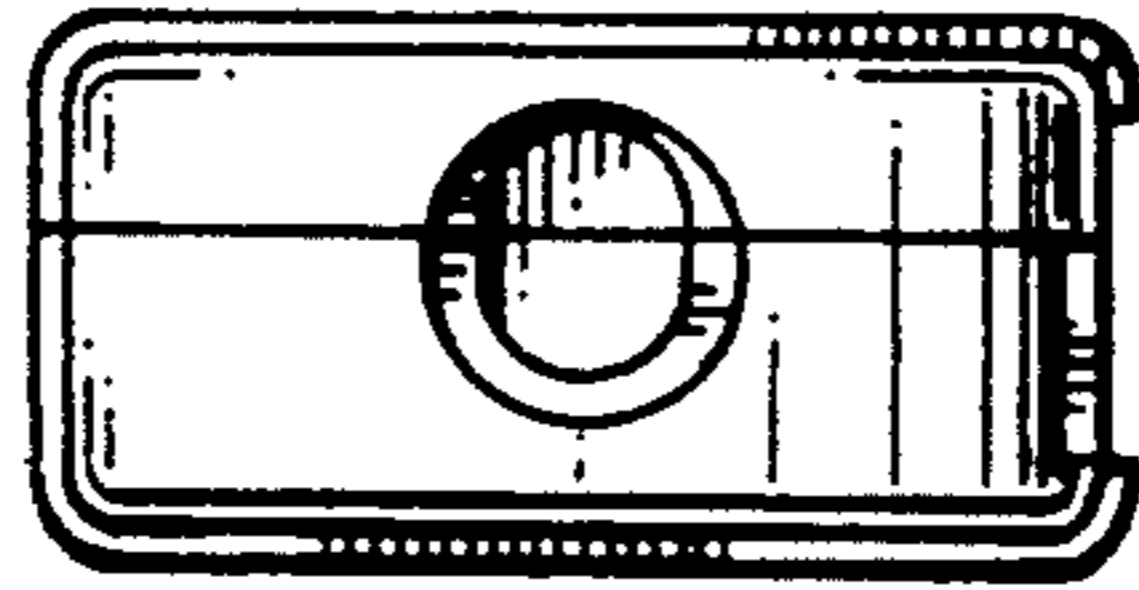


FIG. 3

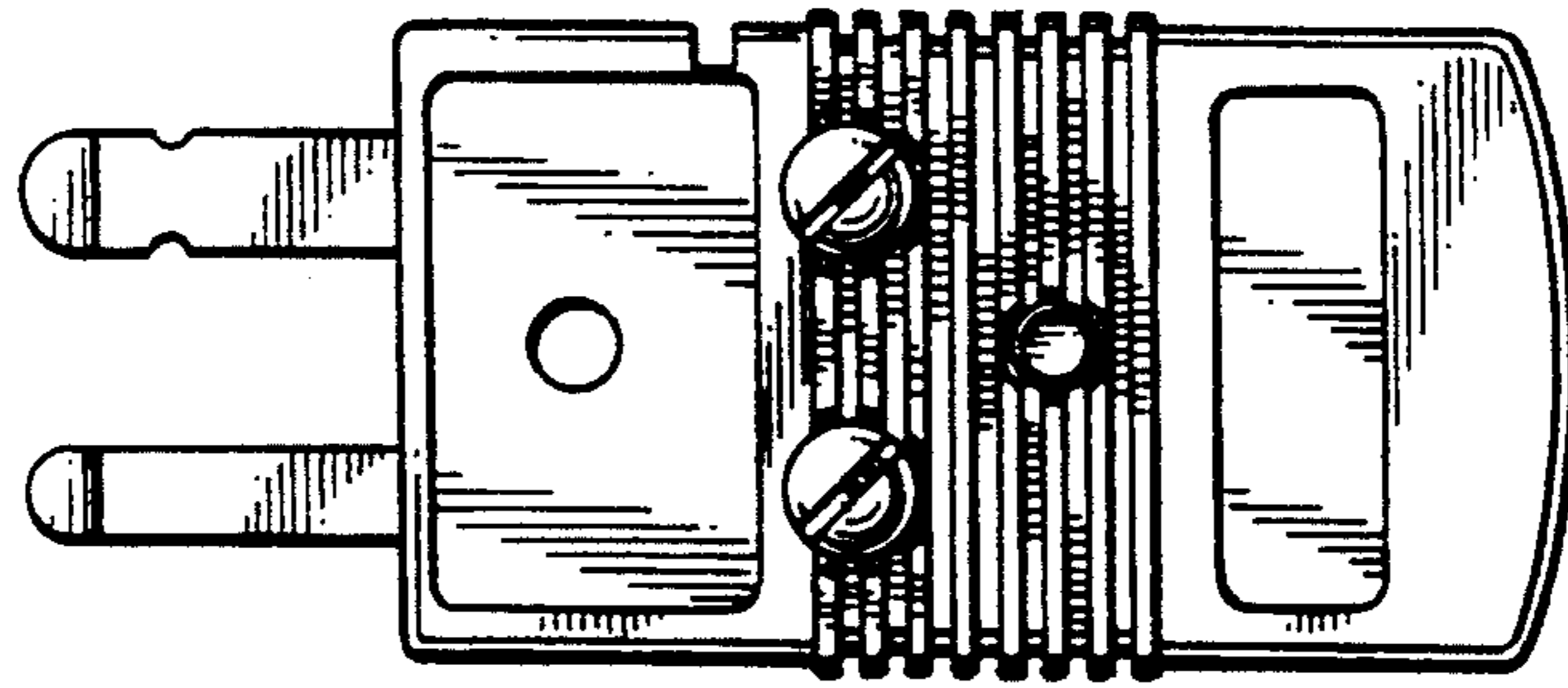


FIG. 4