



US00D340908S

United States Patent [19]

[11] Patent Number: **Des. 340,908**

Tortola

[45] Date of Patent: **** Nov. 2, 1993**

[54] **PORTABLE, BATTERY-OPERATED, RECHARGEABLE, ELECTRICAL POWER SUPPLY PACK FOR COMPUTER OR VIDEO GAME**

rechargeable electrical power supply pack for computer or video game, as shown and described.

[75] Inventor: **Angelo Tortola, Lexington, Mass.**

DESCRIPTION

[73] Assignee: **Curtis Manufacturing Company, Inc., Jaffrey, N.H.**

FIG. 1 is a rear and upper right perspective view of a portable, battery-powered, rechargeable, electrical power supply pack for a computer video game showing my new design;

[**] Term: **14 Years**

[21] Appl. No.: **911,166**

FIG. 2 is a perspective view from below of my design shown in FIG. 1 in a battery recharging position. The cable has been omitted for convenience of illustration;

[22] Filed: **Jul. 9, 1992**

[52] U.S. Cl. **D13/110**

FIG. 3 is a bottom plan view of the design in FIG. 1. The cable has been omitted for convenience of illustration;

[58] Field of Search **D13/103, 107, 108, 110; 320/2, 3, 4**

[56] References Cited

U.S. PATENT DOCUMENTS

D. 240,433	7/1976	Krapowicz	D13/108
D. 314,173	1/1991	Soren et al.	D13/108
D. 327,868	7/1992	Oka	D13/110
D. 328,055	7/1992	Tien	D13/107
4,515,872	5/1985	Okano	D13/103 X
4,998,055	3/1991	Nash et al.	D13/103 X

FIG. 4 is a right side elevational view thereof;

FIG. 5 is a top plan view of the design of FIG. 1. The cable has been omitted for convenience of illustration;

Primary Examiner—Wallace R. Burke

Assistant Examiner—Joel Sincavage

Attorney, Agent, or Firm—Richard P. Crowley

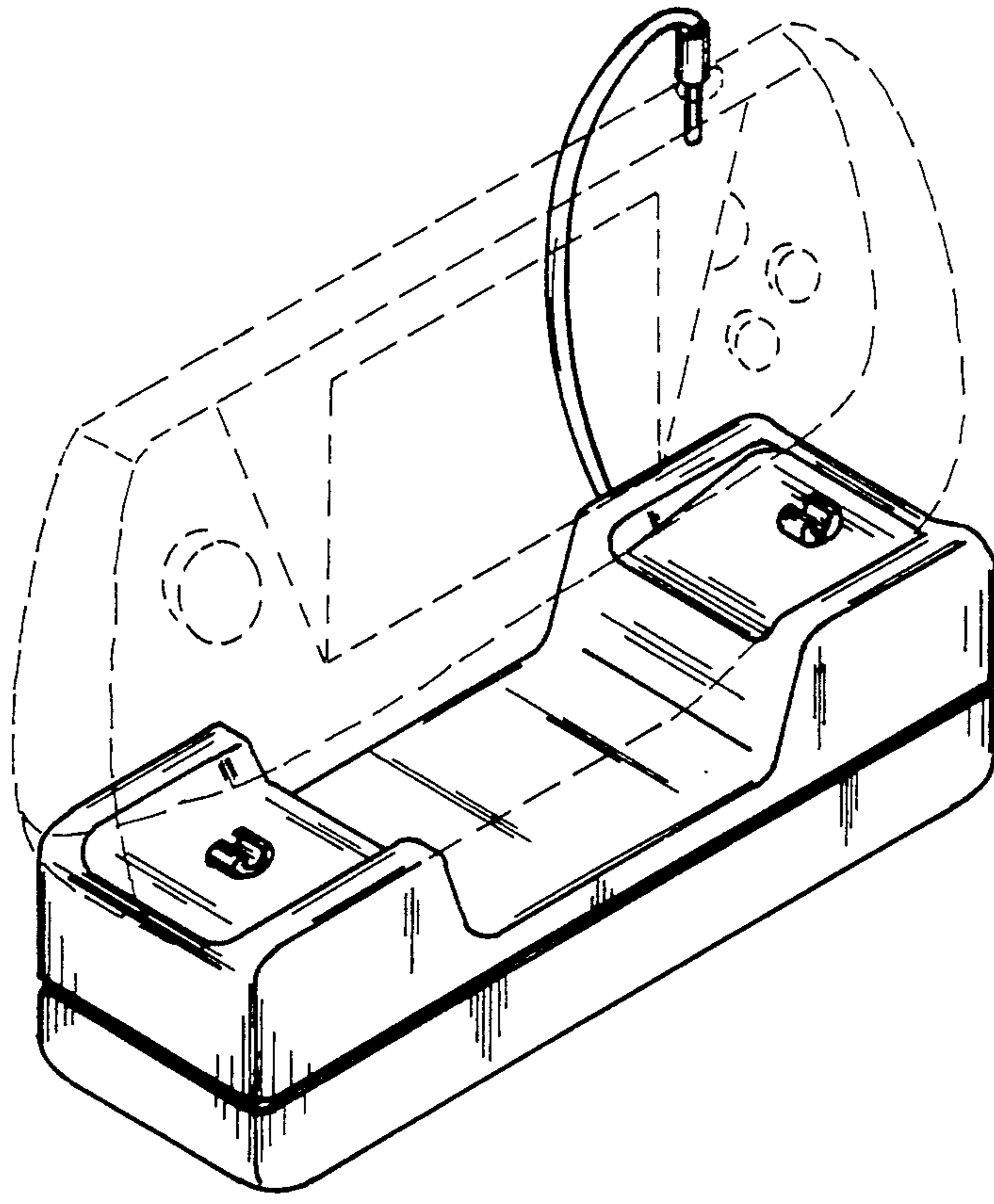
FIG. 6 is a side plan view of the other side of the design of FIG. 1. The cable has been omitted for convenience of illustration;

FIG. 7 is an end plan view of the design of FIG. 1, the other end plan view being the same. The cable has been omitted for convenience of illustration; and,

[57] CLAIM

The ornamental design for a portable, battery-operated,

FIG. 8 is a front and upper right perspective view thereof shown in use. The broken line showing of the computer video game apparatus is included for the purpose of illustrating environmental elements only and forms no part of the claimed design.



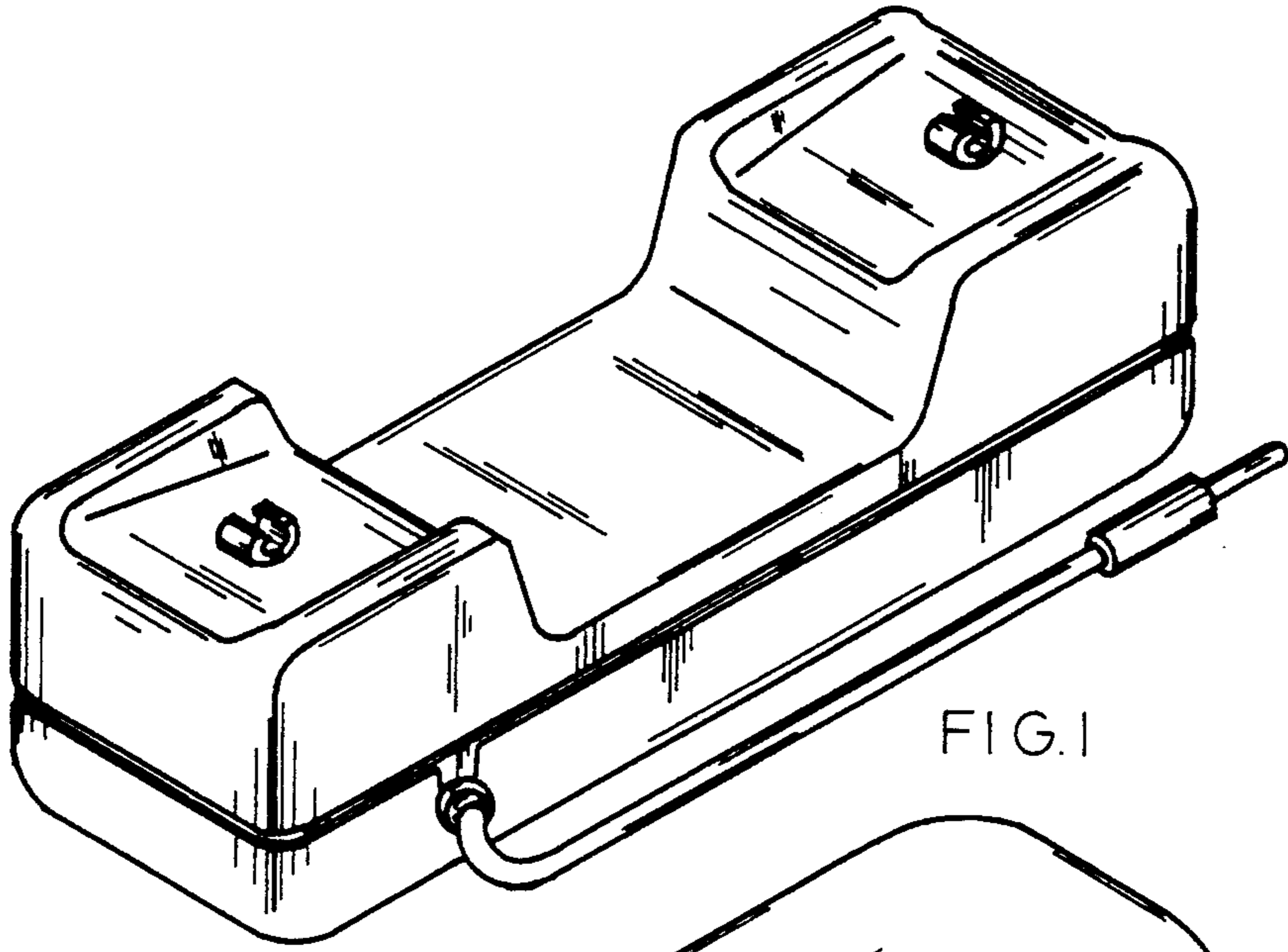


FIG. 1

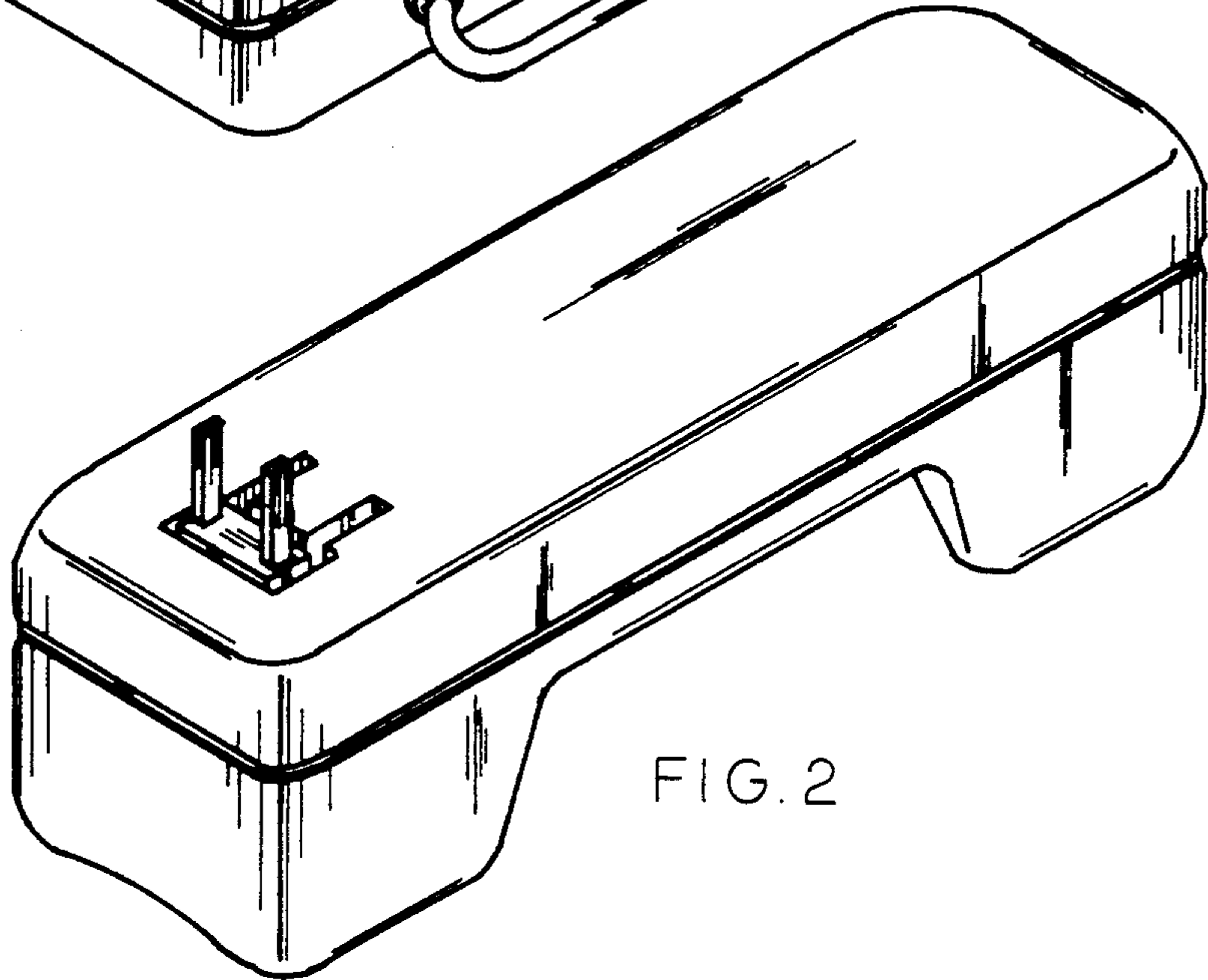


FIG. 2

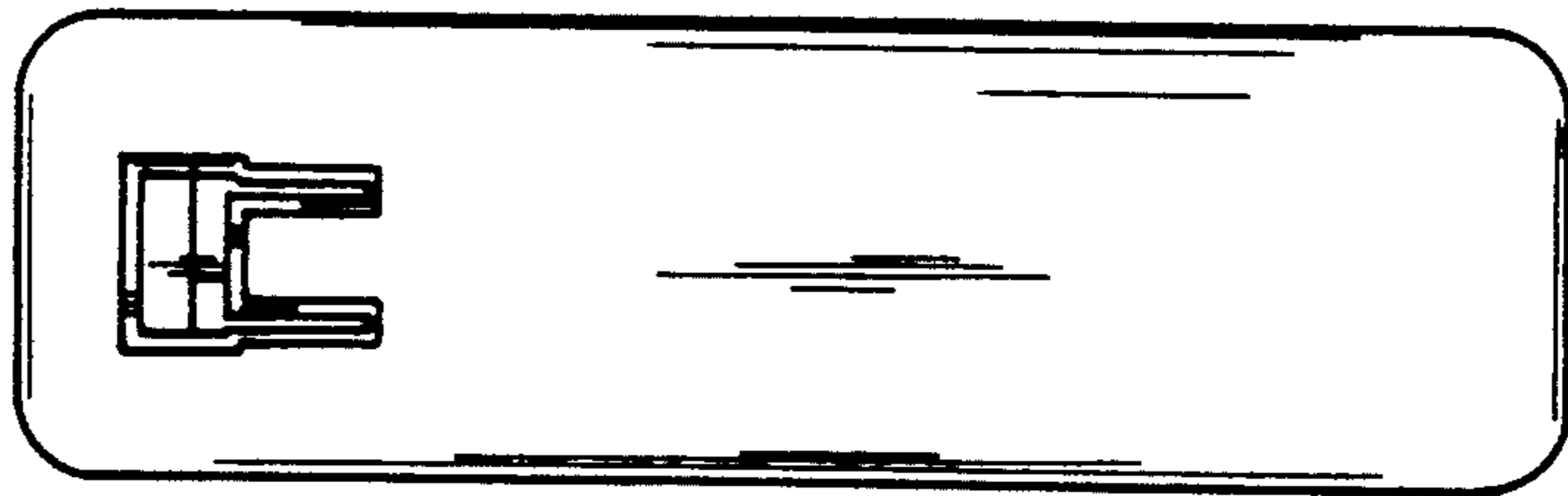


FIG. 3

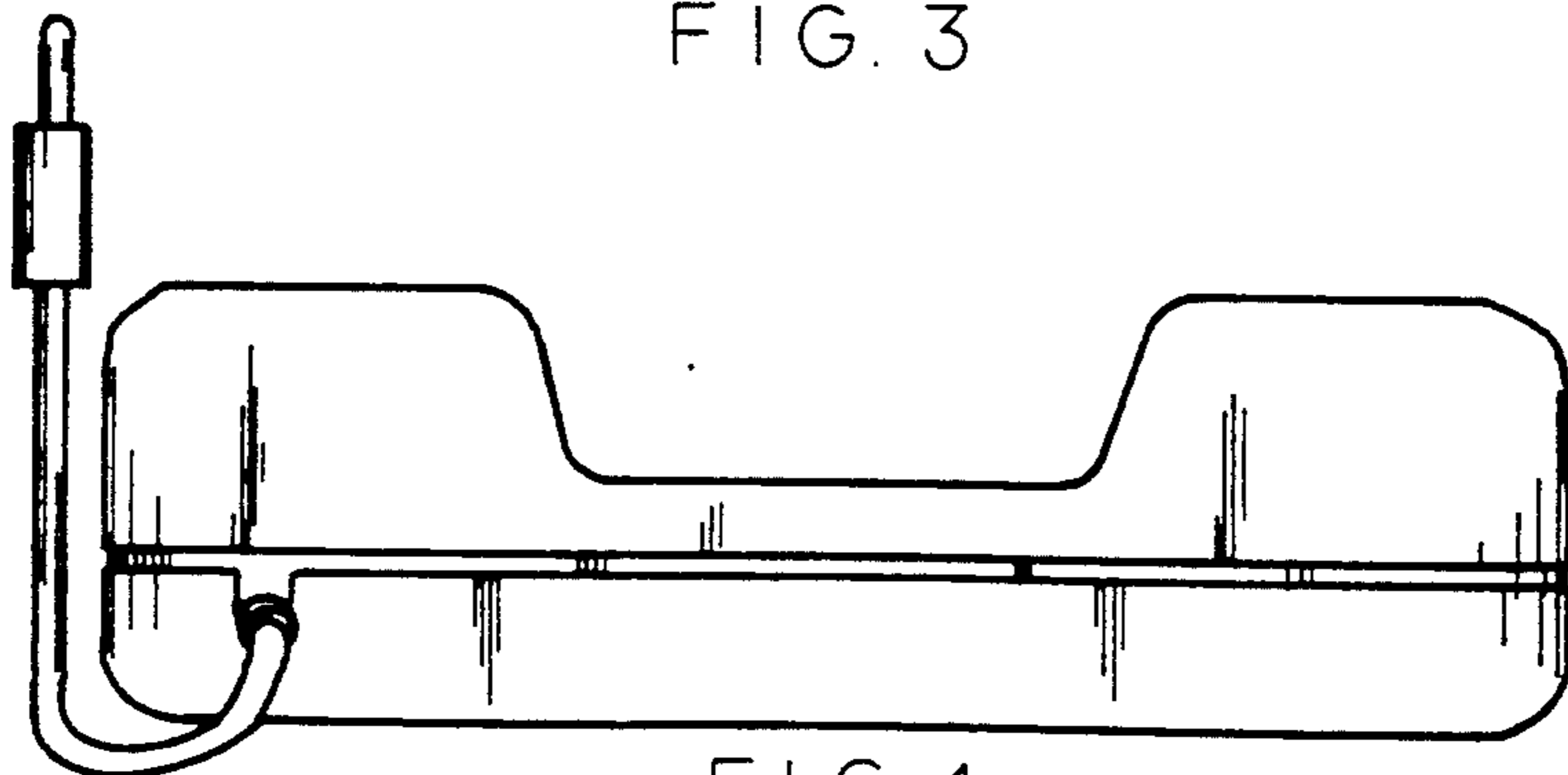


FIG. 4



FIG. 5

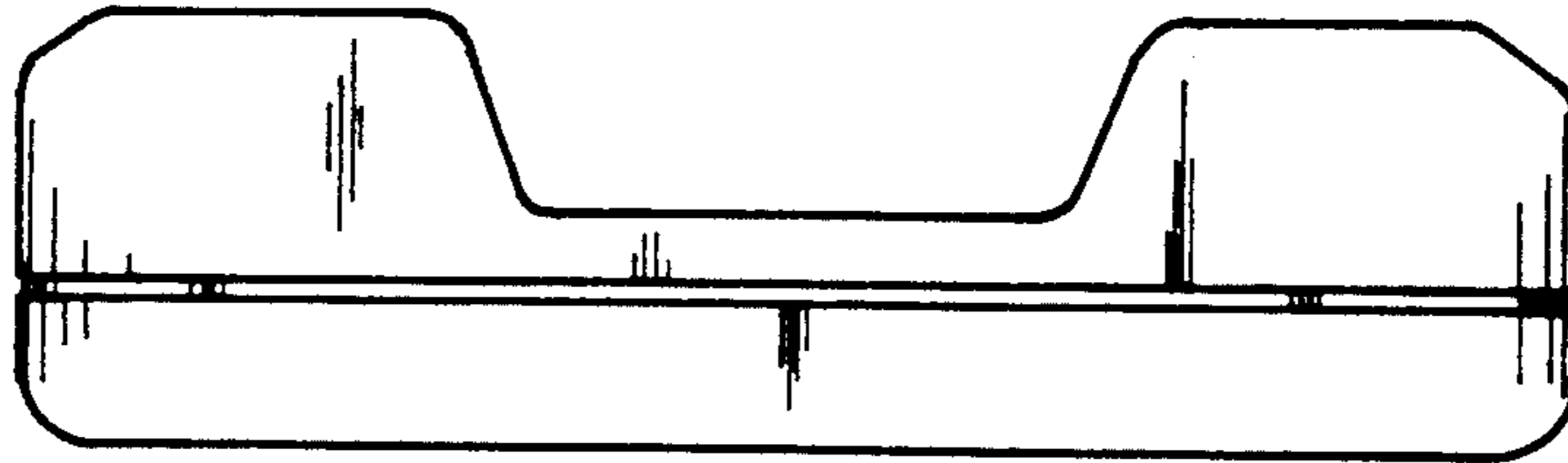


FIG. 6

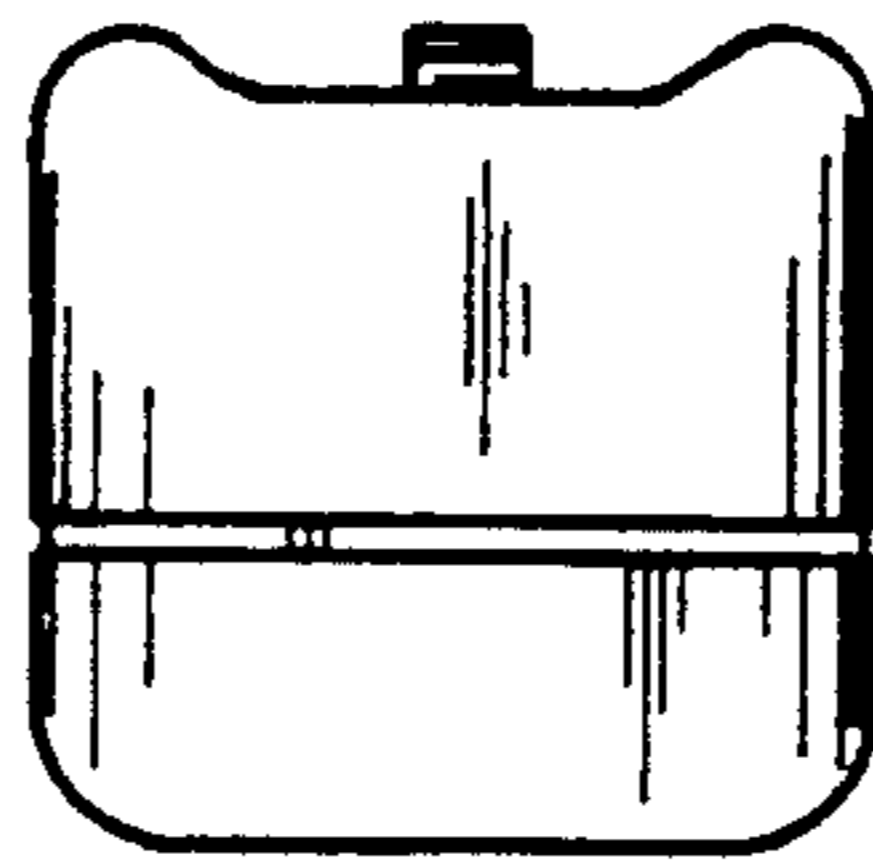


FIG. 7

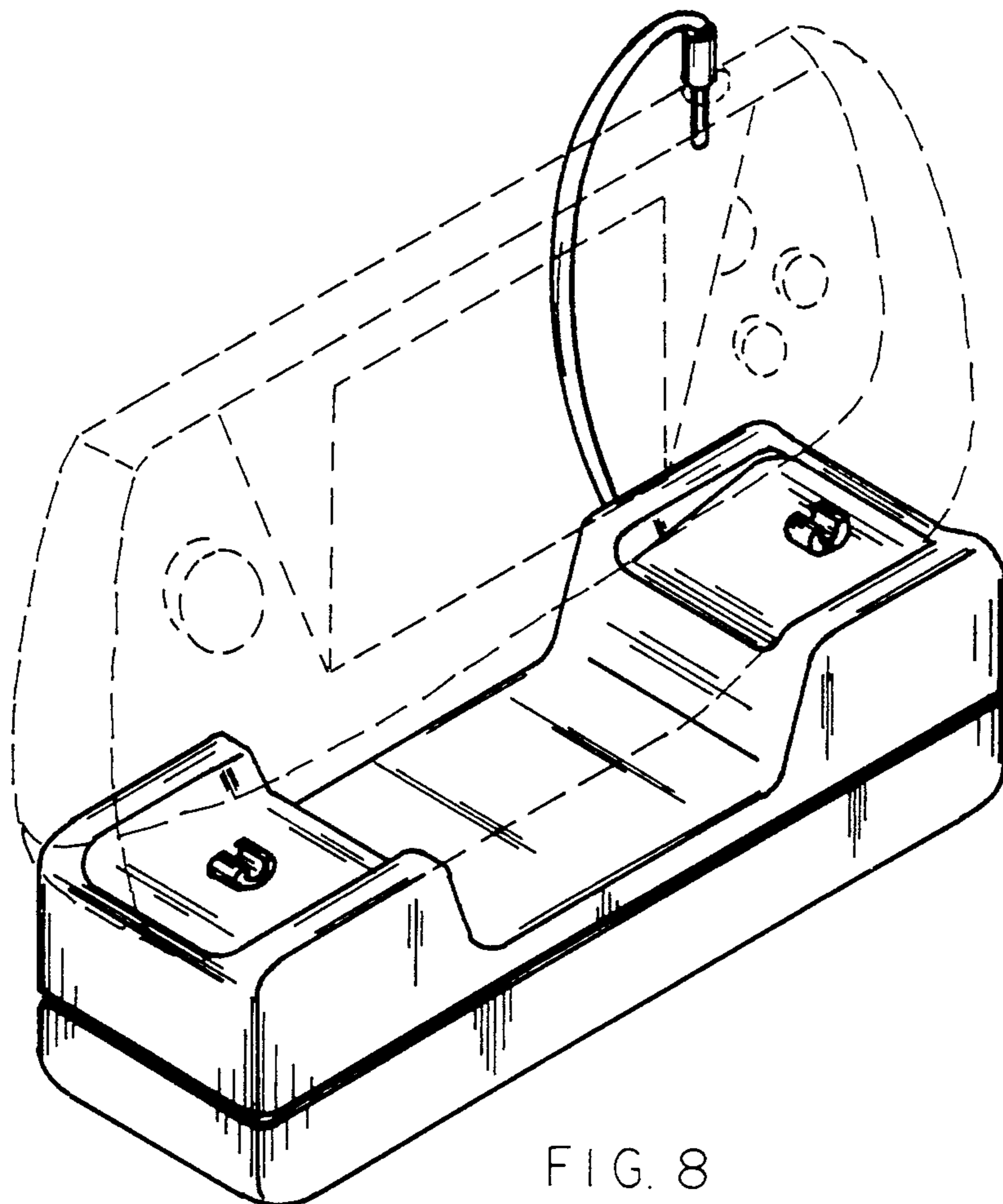


FIG. 8