



US00D340904S

United States Patent [19]

[11] Patent Number: **Des. 340,904**

Bevier

[45] Date of Patent: **** Nov. 2, 1993**

[54] **TRUCK RUNNING BOARD**

4,930,797 6/1990 Parrill 280/166

[76] Inventor: **Clarence W. Bevier**, 119 Austin Ave., Jackson, Mich. 49202

OTHER PUBLICATIONS

J. C. Whitney Catalog No. 515J. ©1990, p. 38, Self-Storing Pull-Out Step A, upper left center of page.

[**] Term: **14 Years**

Primary Examiner—James M. Gandy
Attorney, Agent, or Firm—Beaman & Beaman

[21] Appl. No.: **911,308**

[57] **CLAIM**

[22] Filed: **Jul. 10, 1992**

The ornamental design for a truck running board, as shown and described.

[52] U.S. Cl. **D12/203**

[58] Field of Search **D12/203; D25/62, 69; 280/163, 166; 182/90, 91, 92**

DESCRIPTION

[56] **References Cited**

U.S. PATENT DOCUMENTS

1,266,938	5/1918	Hassler	280/163
3,758,134	9/1973	Stewart	280/163
4,017,093	4/1977	Stecker, Sr.	280/163
4,167,272	9/1979	Wright et al.	280/163
4,203,611	5/1980	Makela	280/163
4,911,264	3/1990	McCafferty	182/92

FIG. 1 is a perspective view of my new design for a truck running board;

FIG. 2 is a top plan view;

FIG. 3 is a bottom plan view of my new design;

FIG. 4 is a front view; and,

FIG. 5 is an end elevational view as taken from the right of FIG. 2, the other end of the design being the mirror image of this figure.

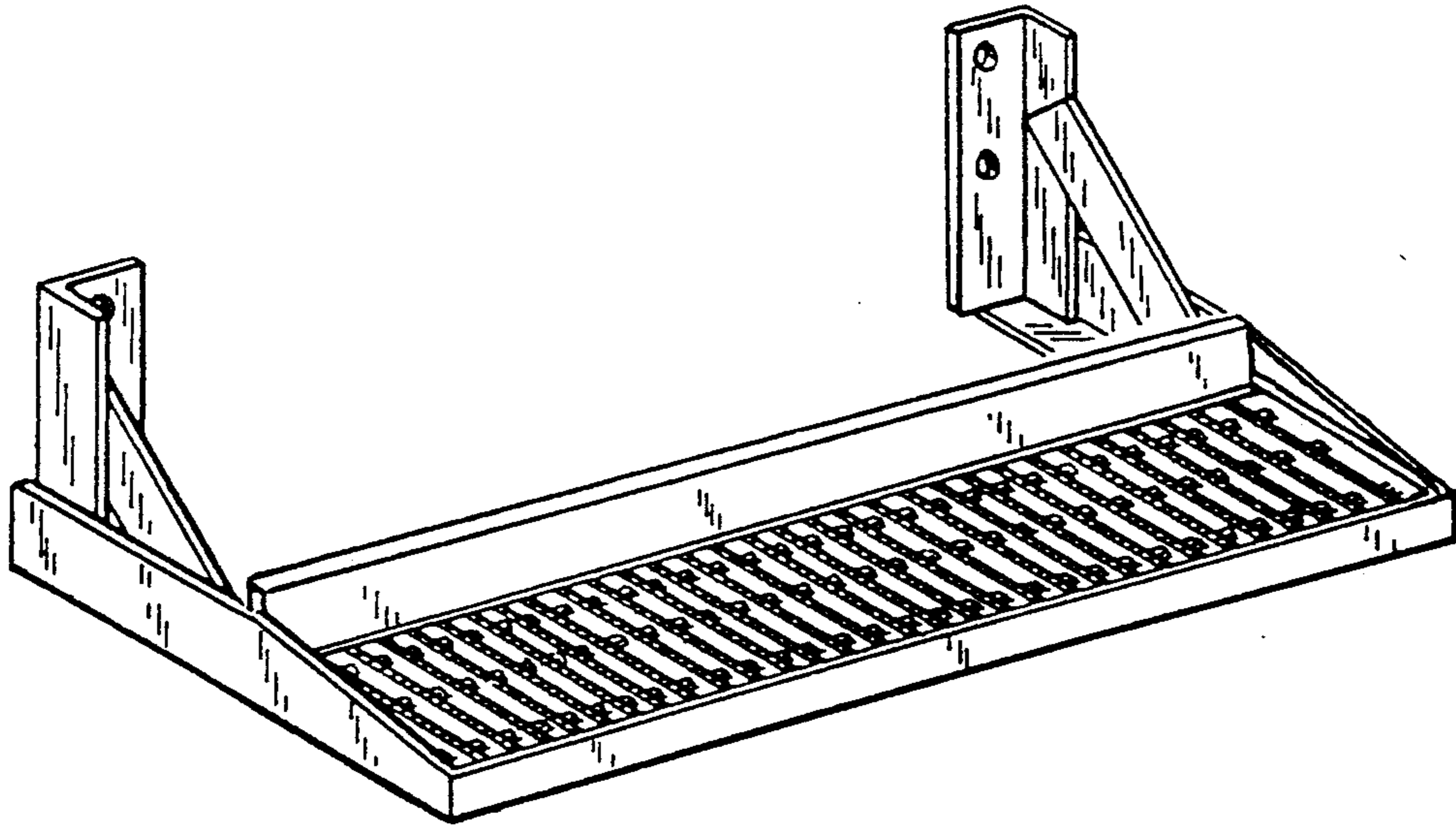


FIG-1

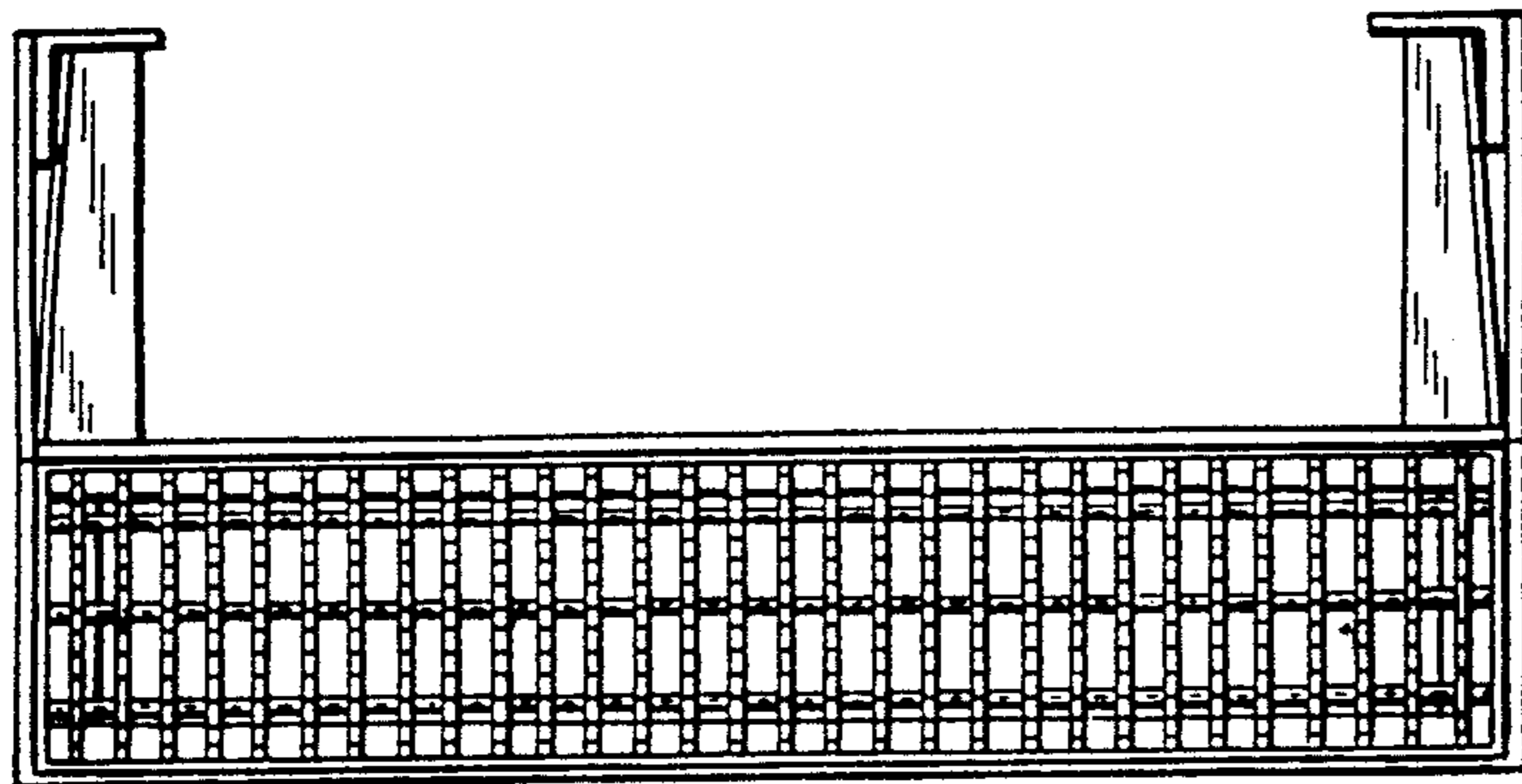
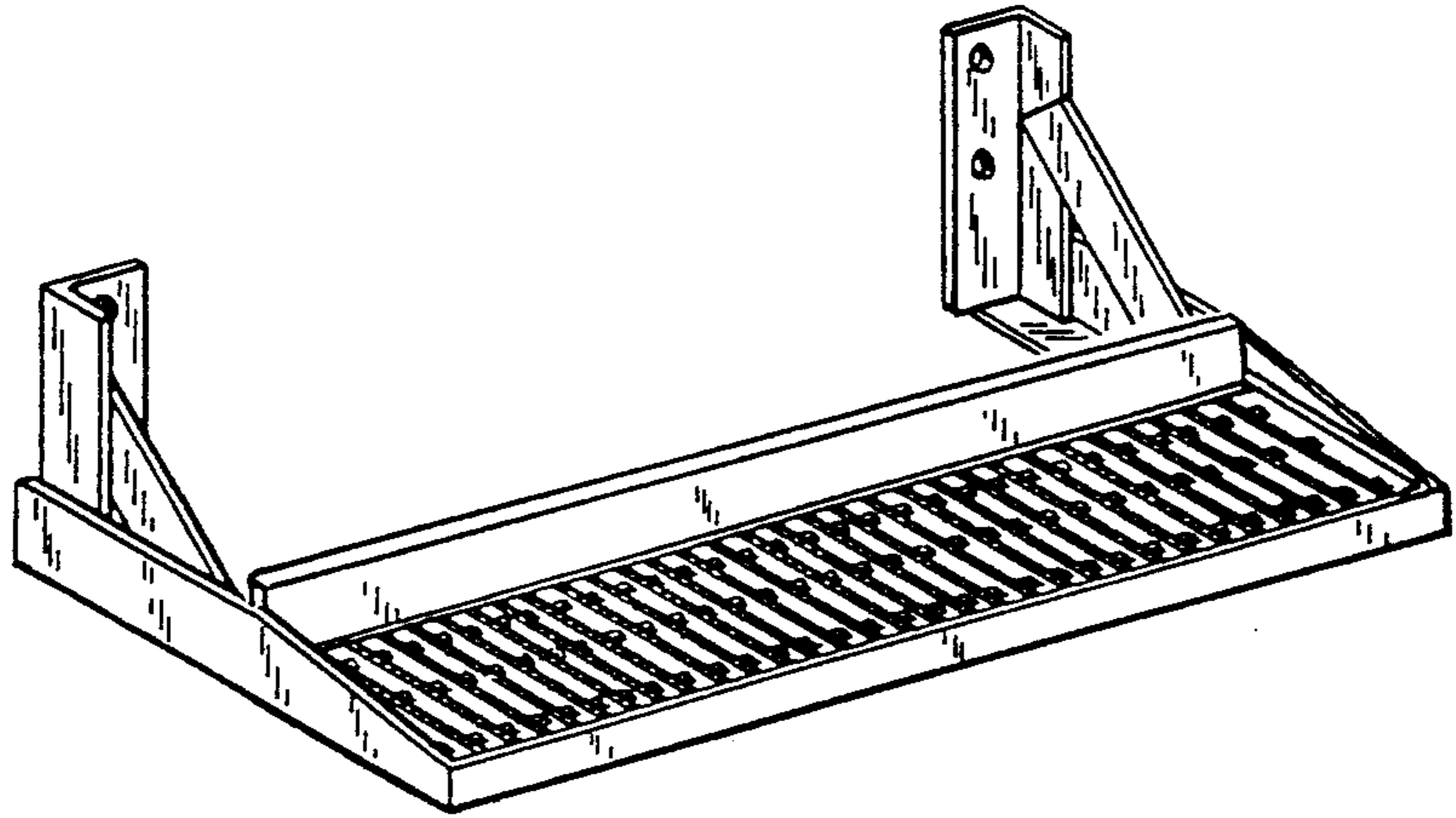


FIG-2

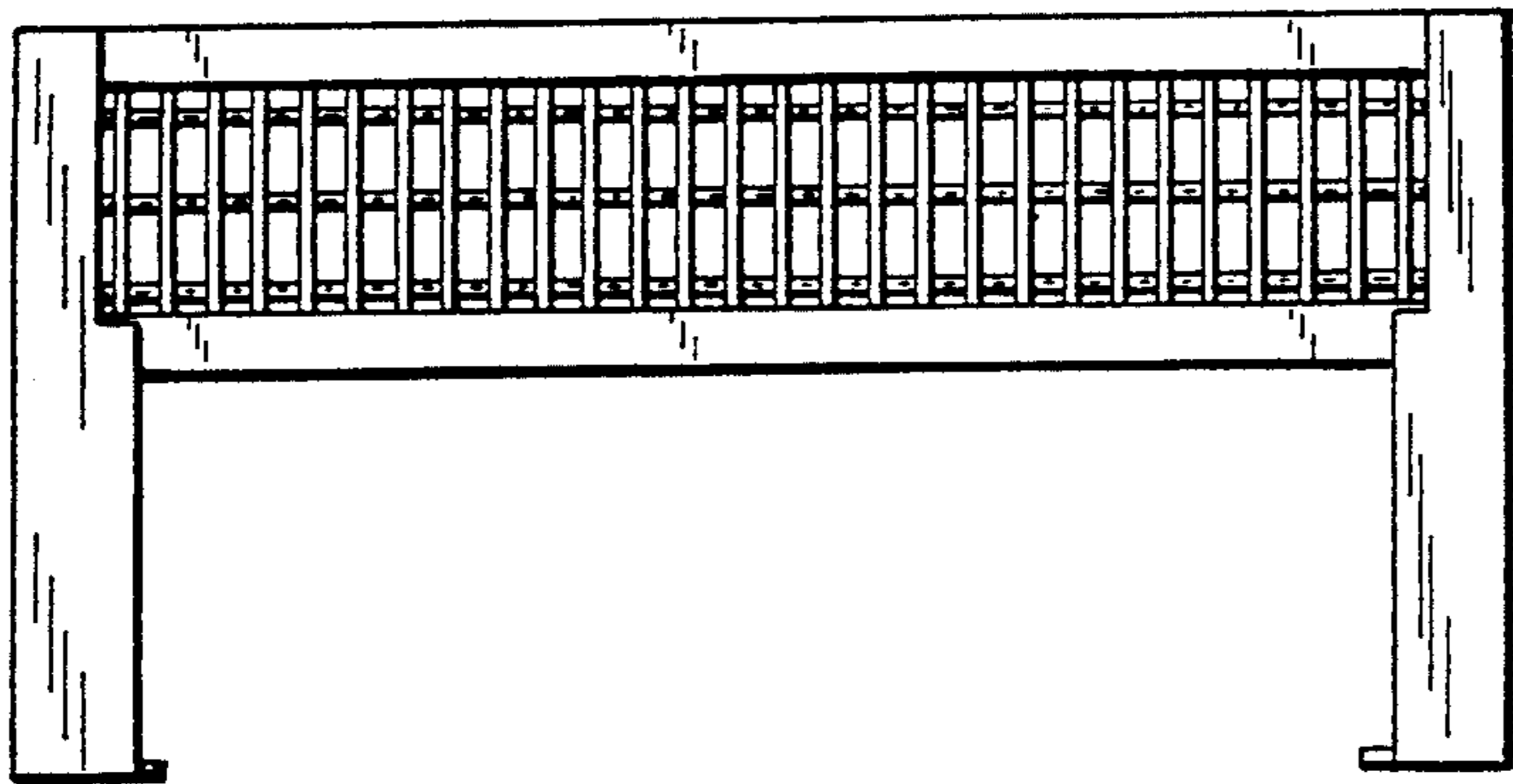


FIG-3

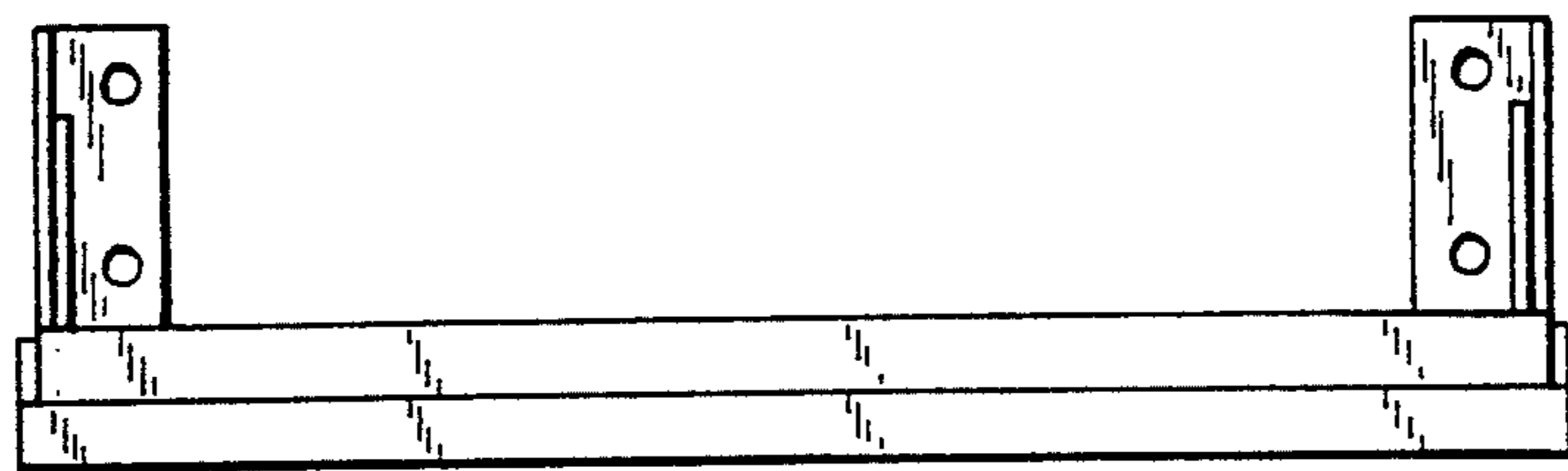


FIG-4

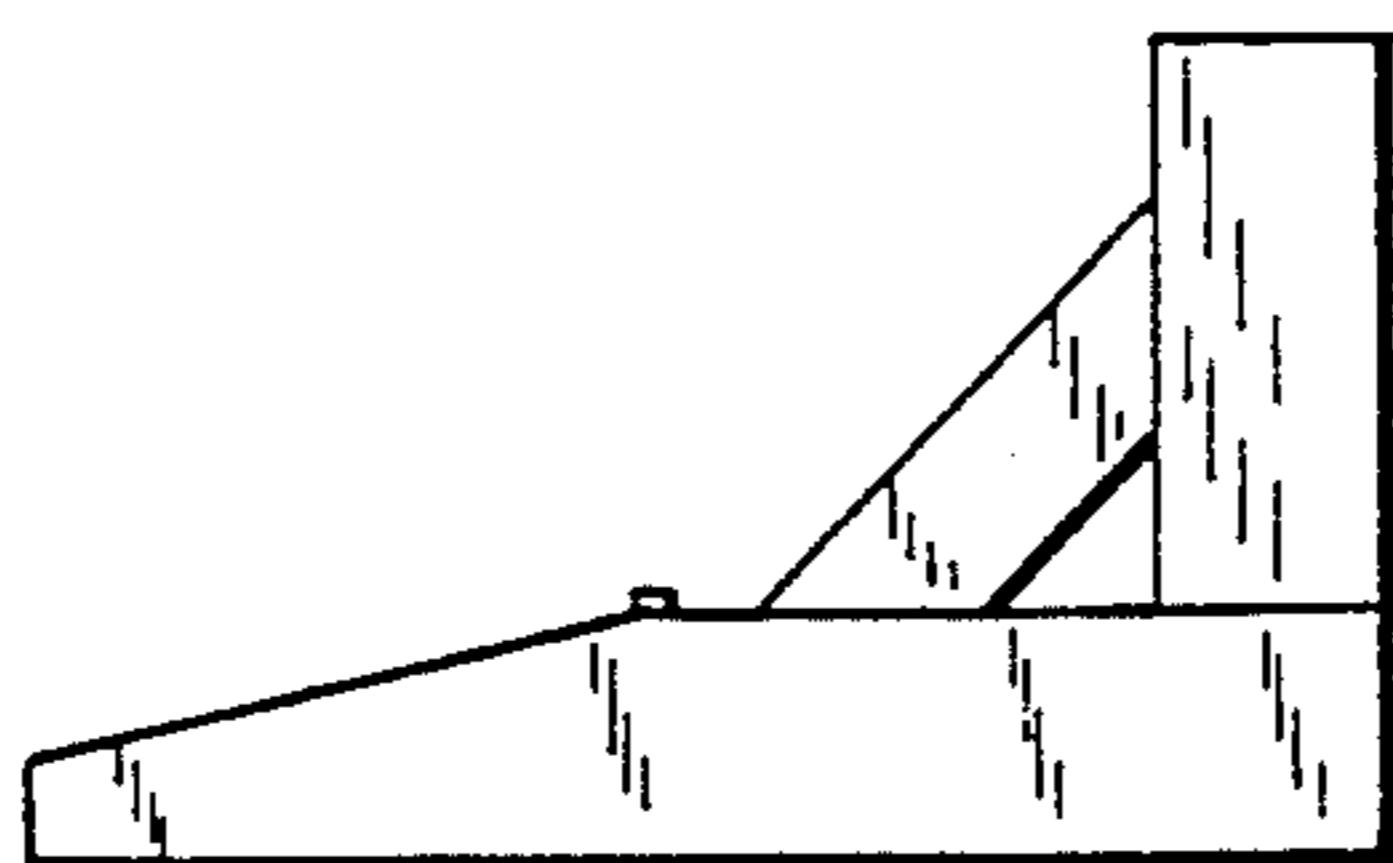


FIG-5