



US00D340896S

United States Patent [19]

[11] Patent Number: **Des. 340,896**

Kernen

[45] Date of Patent: **** Nov. 2, 1993**

[54] TIRE

[56] References Cited

[75] Inventor: **Chantal Kernen, Chatel-Guyon, France**

U.S. PATENT DOCUMENTS

D. 294,930 3/1988 Slagh D12/147

[73] Assignee: **Compagnie Generale des Etablissements Michelin-Michelin & Cie, Clermont-Ferrand, France**

OTHER PUBLICATIONS

Tread Design Guide 1991, p. 46, Michelin, MXV2.
Tread Design Guide, 1991, p. 58, Riken, Road Arrow 80.

[**] Term: **14 Years**

Primary Examiner—James M. Gandy
Attorney, Agent, or Firm—Brumbaugh, Graves, Donohue & Raymond

[21] Appl. No.: **886,634**

[57] CLAIM

The ornamental design for a tire, as shown and described.

[22] Filed: **May 20, 1992**

[30] Foreign Application Priority Data

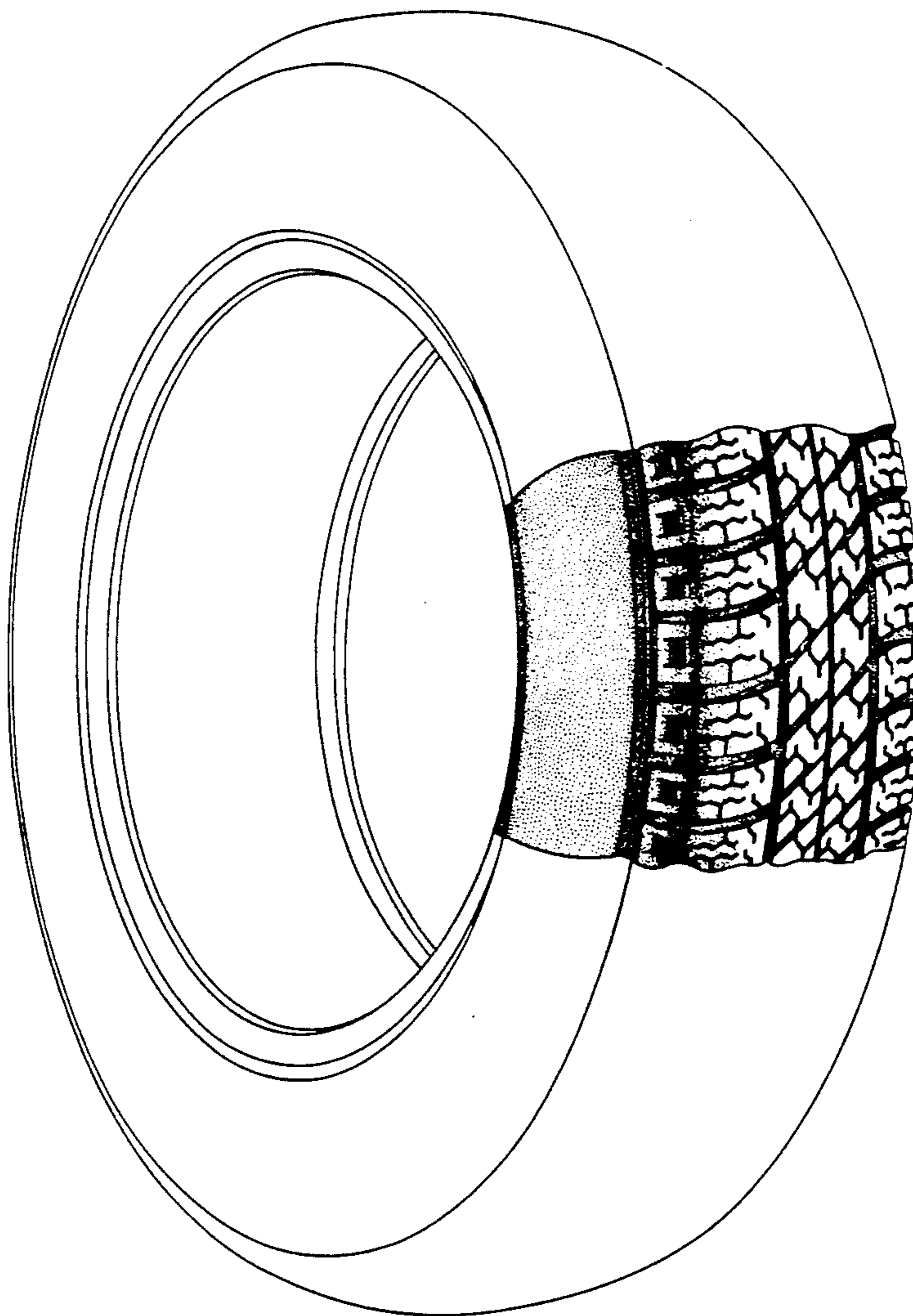
Dec. 17, 1991 [FR] France 917733

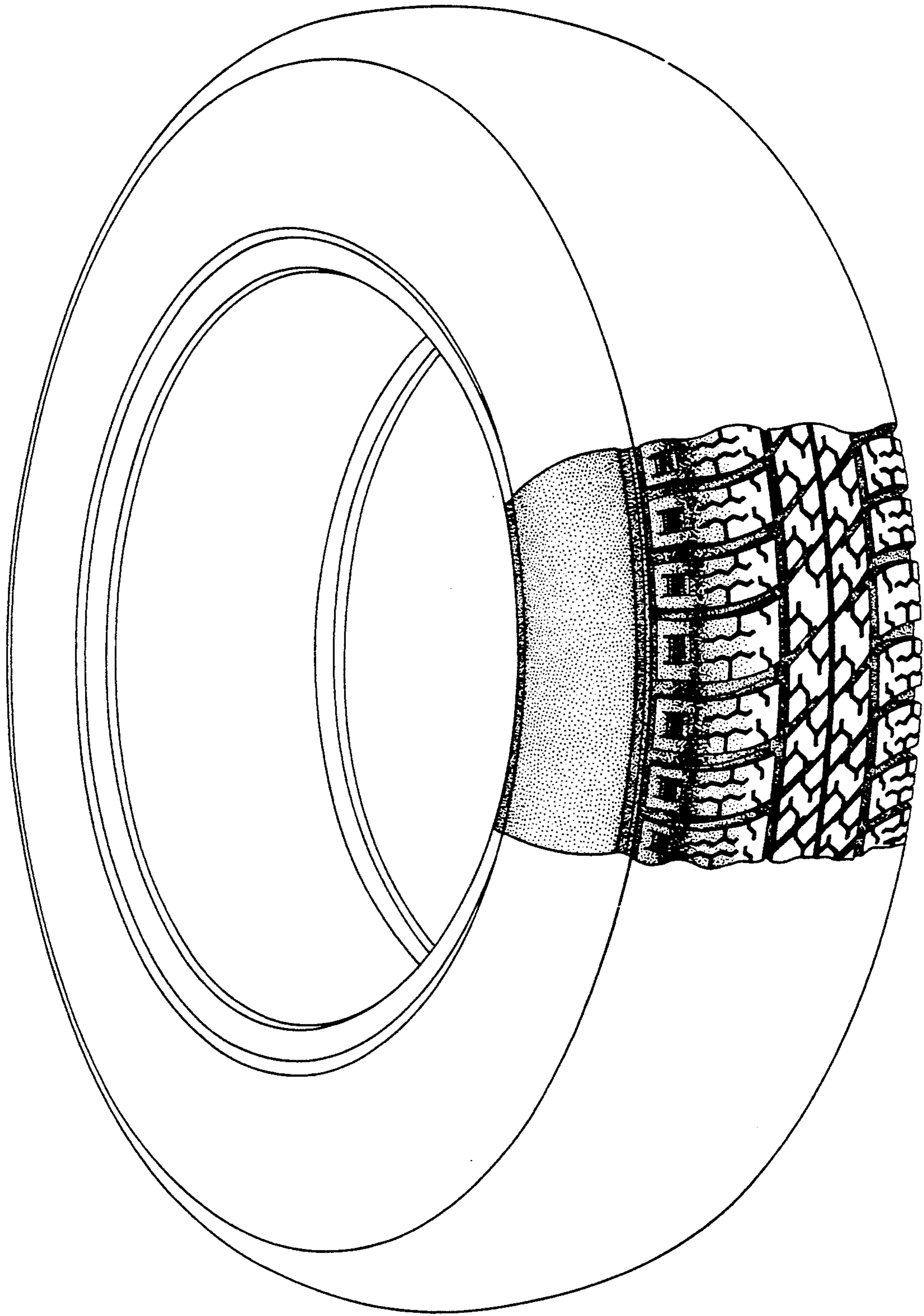
[52] U.S. Cl. **D12/147**

[58] Field of Search D12/141-143, D12/146-148; 152/209 R, 209 B, 209 D

DESCRIPTION

The FIGURE is a perspective view of a tire showing my new design, it being understood that the tread pattern is repeated throughout the circumference of the tire, as shown schematically by solid lines, the opposite side being substantially the same as that shown.





UNITED STATES PATENT AND TRADEMARK OFFICE
CERTIFICATE OF CORRECTION

PATENT NO. : Des. 340,896
DATED : November 2, 1993
INVENTOR(S) :

Chantal Kernen

It is certified that error appears in the above-identified patent and that said Letters Patent is hereby corrected as shown below:

Under Foreign Application Priority Data,

Title page, Item [30], 2nd line, "Dec. 17, 1991" should read
--Dec. 5, 1991--

Signed and Sealed this
First Day of November, 1994



BRUCE LEHMAN

Commissioner of Patents and Trademarks

Attest:

Attesting Officer