



US00D340891S

United States Patent [19]

[11] Patent Number: **Des. 340,891**

Patel

[45] Date of Patent: **** Nov. 2, 1993**

[54] TIRE TREAD AND BUTTRESS

[75] Inventor: **Amratlal U. Patel**, Colmar-Berg, Luxembourg

[73] Assignee: **The Goodyear Tire & Rubber Company**, Akron, Ohio

[**] Term: **14 Years**

[21] Appl. No.: **734,859**

[22] Filed: **Jul. 24, 1991**

[30] Foreign Application Priority Data

Jan. 28, 1991 [XB] Benelux 30619-00
 [52] U.S. Cl. **D12/147**
 [58] Field of Search D12/136, 137, 146-151;
 152/209 R, 209 B, 209 D

[56] References Cited

U.S. PATENT DOCUMENTS

D. 277,272 1/1985 Sladky et al. D12/146
 D. 288,078 2/1987 Hasegawa D12/142
 D. 304,918 12/1989 Hinrichsen D12/146
 D. 308,188 5/1990 Hinrichsen et al. D12/146
 D. 323,310 1/1992 Nakatani D12/146

OTHER PUBLICATIONS

1990 Tread Design Guide, p. 105, Dean Wildcat Steel Radial Tire, second row down from top, left side of page.

1990 Tread Design Guide, p. 135, Sigma Grand Sport Stampede A/T Tire, bottom center of page.

Primary Examiner—James M. Gandy
Attorney, Agent, or Firm—T. P. Lewandowski

[57] CLAIM

The ornamental design for a tire tread and buttress, as shown and described.

DESCRIPTION

FIG. 1 is a perspective view of a tire tread and buttress showing my new design;

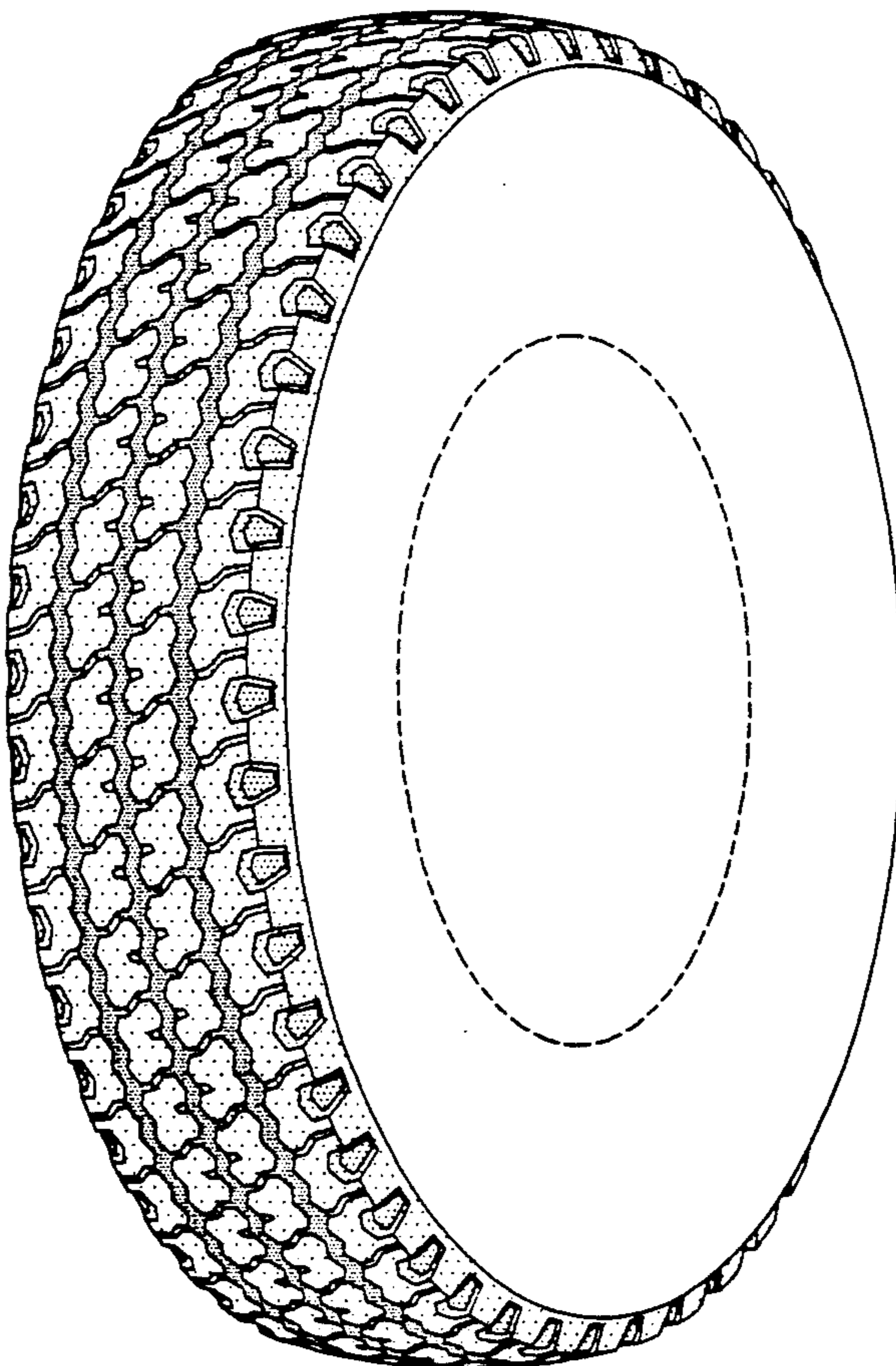
FIG. 2 is a front elevational view thereof;

FIG. 3 is a side elevational view thereof; and,

FIG. 4 is an enlarged fragmentary front elevational view thereof.

The pattern is understood to be repeated uniformly throughout the circumference of the tire tread and buttress.

The broken line showing of the tire sidewall in all views of the drawing is for illustrative purposes only and forms no part of the claimed design.



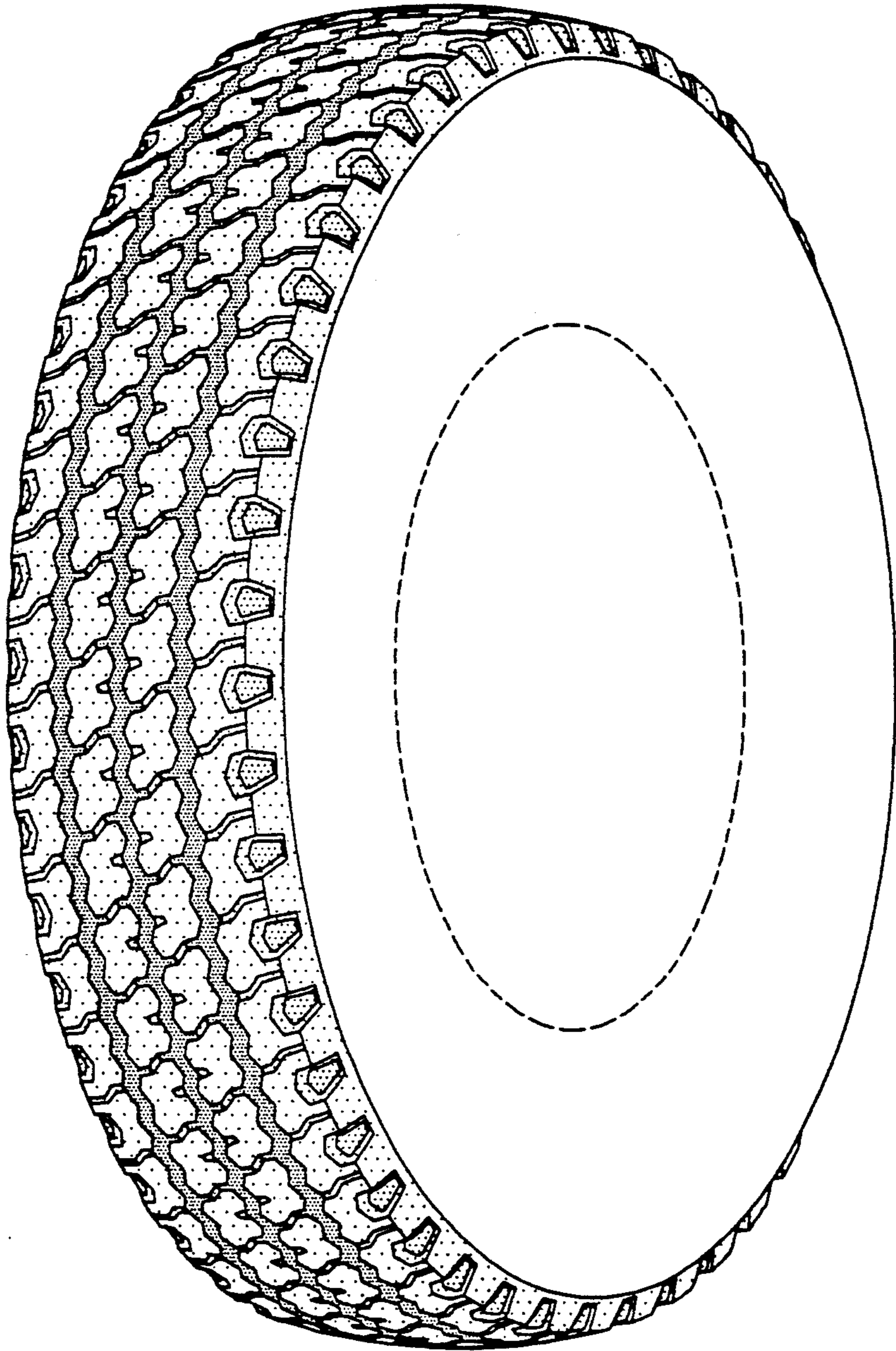


FIG-1

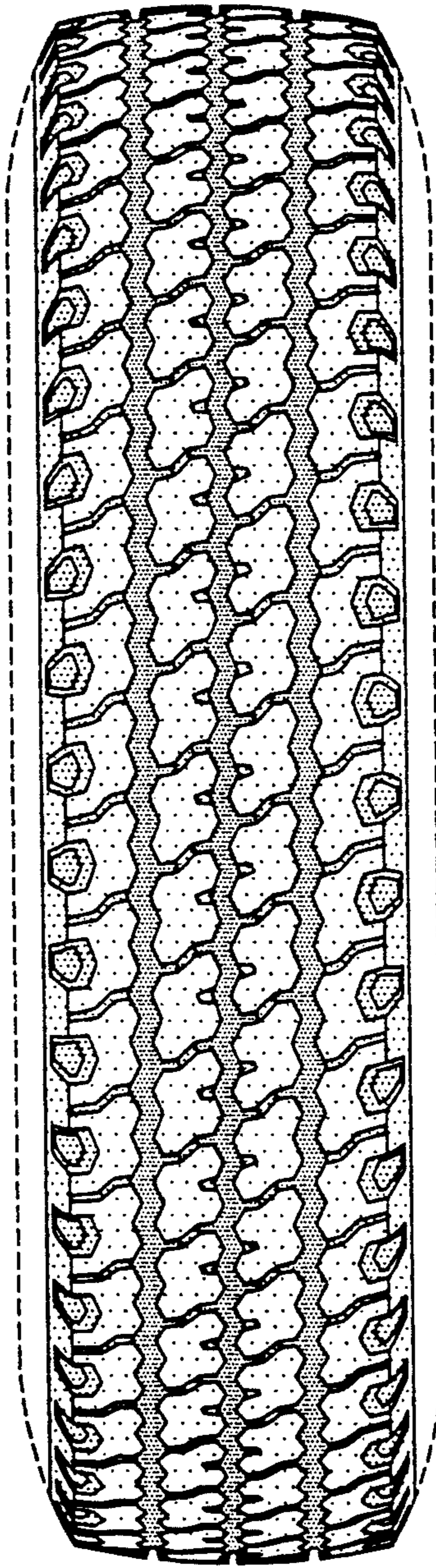


FIG-2

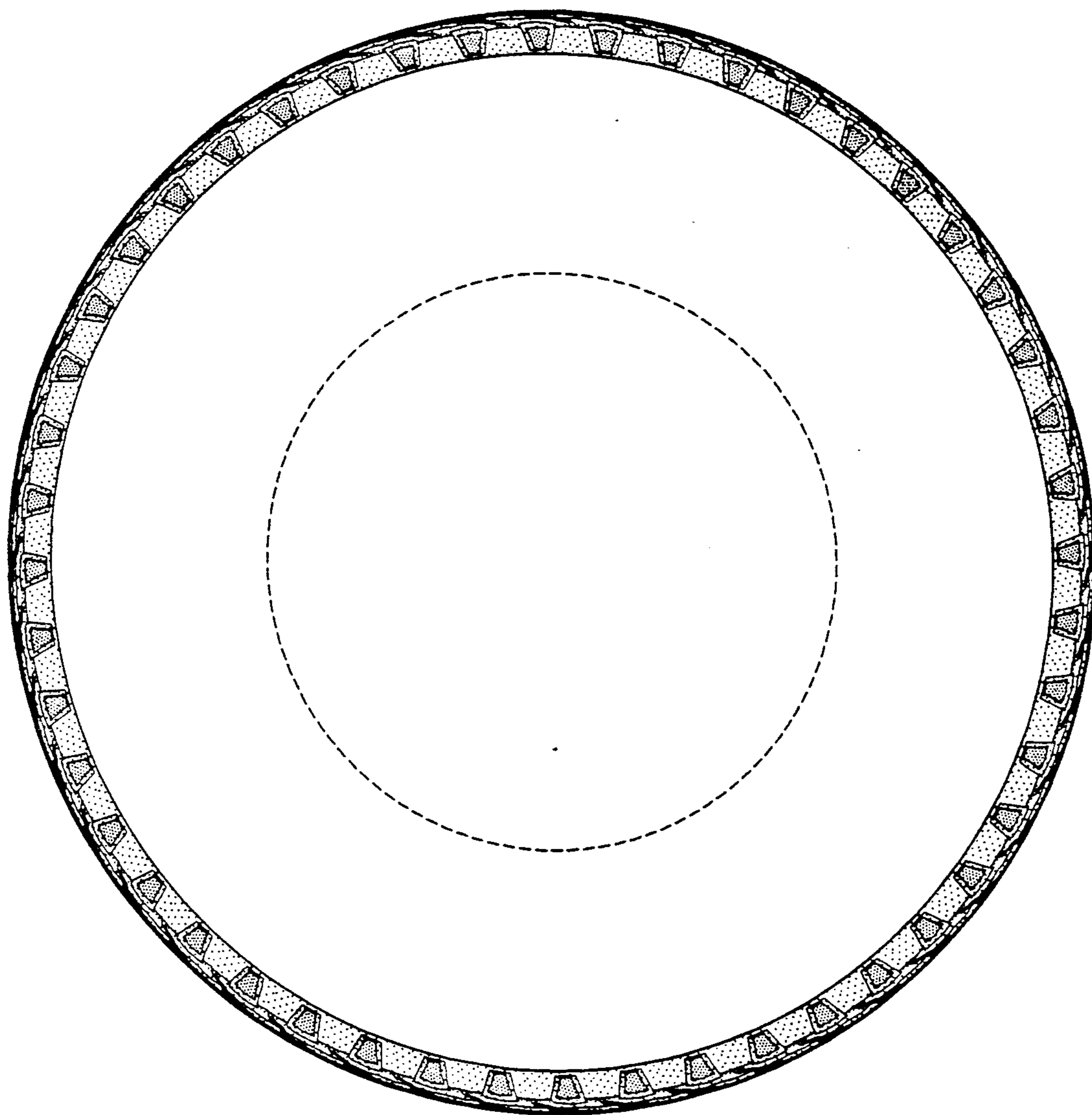


FIG-3

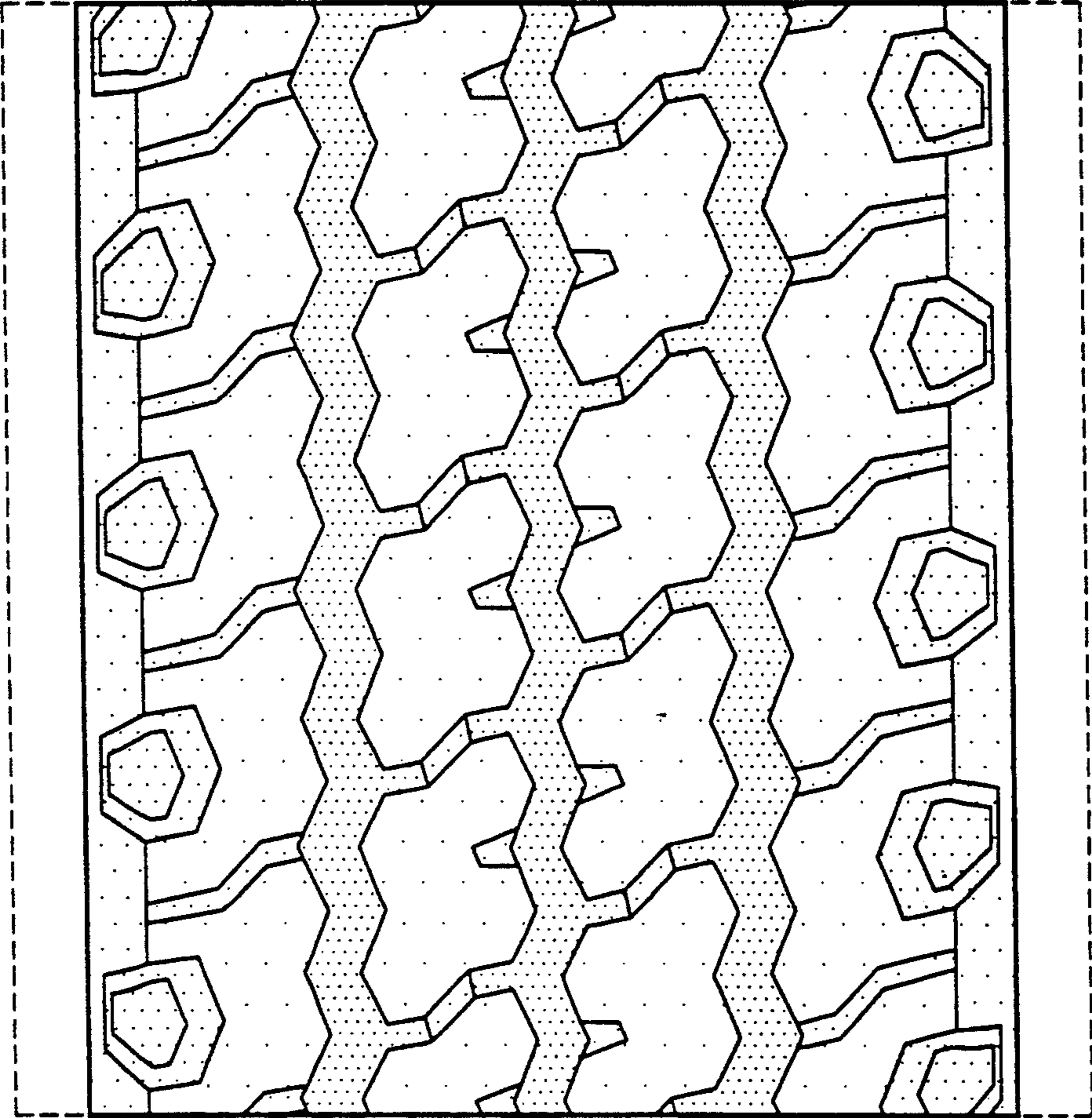


FIG-4