



US00D340886S

United States Patent [19]

[11] Patent Number: **Des. 340,886**

Anscher

[45] Date of Patent: **** Nov. 2, 1993**

[54] **BUCKLE**

[75] Inventor: **Joseph A. Anscher**, Port Washington, N.Y.

[73] Assignee: **National Molding Corporation**, Farmingdale, N.Y.

[**] Term: **14 Years**

[21] Appl. No.: **655,096**

[22] Filed: **Feb. 14, 1991**

[52] U.S. Cl. **D11/218; D11/200**

[58] Field of Search **D11/200, 215-216, D11/218, 231; 24/574, 633, 573, 631, 641, 616, 170, 365, 200; 297/467**

3,407,451 10/1968 Dewey et al. 24/196

3,967,347 7/1976 Bickis, Sr. 24/74

4,117,573 10/1978 Nakamura 24/74

4,171,555 10/1979 Bakker et al. 24/200

4,296,531 10/1981 Bengtsson 24/200

4,387,490 6/1983 Blackburn et al. 24/200

4,414,713 11/1983 Prete, Jr. 24/193

4,484,379 11/1984 Appelt et al. 24/197

4,493,135 1/1985 Crook, Jr. 24/197

4,677,711 7/1987 Anscher 24/200

4,712,280 12/1987 Filden 24/633

4,800,629 1/1989 Ikeda 24/170

4,987,661 1/1991 Kasal 24/633

FOREIGN PATENT DOCUMENTS

970611 9/1964 United Kingdom .

Primary Examiner—A. Hugo Word
Assistant Examiner—R. Seifert
Attorney, Agent, or Firm—Kenyon & Kenyon

[56] **References Cited**
U.S. PATENT DOCUMENTS

807,150 12/1905 Boice .

1,290,914 1/1919 Comstock, Sr. .

1,324,629 12/1919 Tabler .

1,911,441 5/1933 Drews .

1,999,167 4/1935 White 24/73

2,302,258 11/1942 Rose et al. 24/197

2,316,846 4/1943 Diebold 24/200

2,649,637 8/1953 Hodge 24/200

2,754,560 7/1956 Warner et al. 24/196

3,169,291 2/1965 Stacherl 24/196

3,192,588 7/1965 White 24/200

3,206,816 9/1965 Vilcins et al. 24/74

3,336,639 8/1967 Ruddy et al. 24/74

3,349,449 10/1967 Hatfield 24/197

3,376,613 4/1968 Lindblad 24/74

[57] **CLAIM**

The ornamental design for a buckle, as shown and described.

DESCRIPTION

FIG. 1 is a front elevational view of a buckle showing my new design;

FIG. 2 is a rear elevational view thereof;

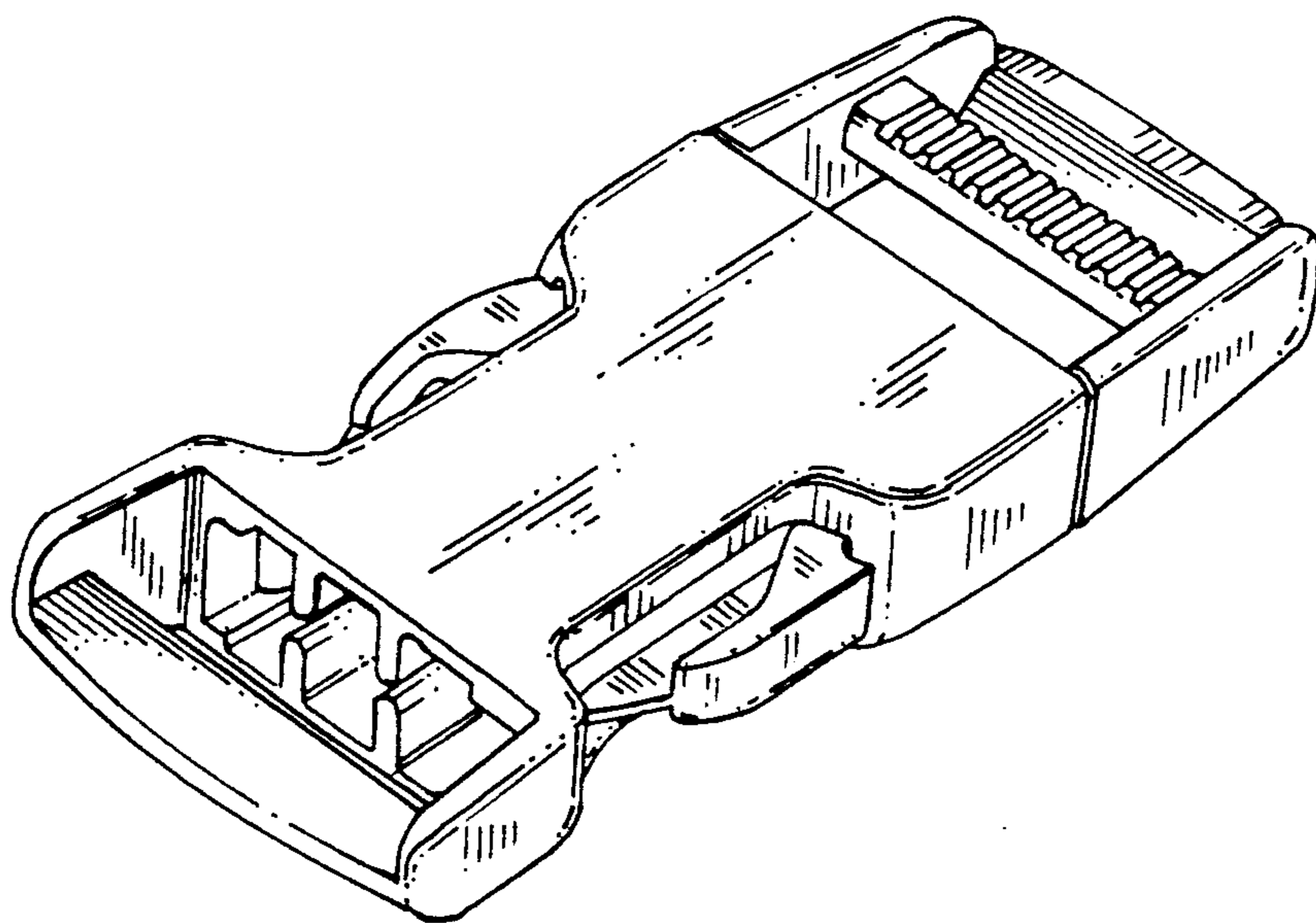
FIG. 3 is a right side elevational view thereof;

FIG. 4 is a left side elevational view thereof;

FIG. 5 is a top plan view thereof;

FIG. 6 is a bottom plan view thereof; and,

FIG. 7 is a perspective view thereof.



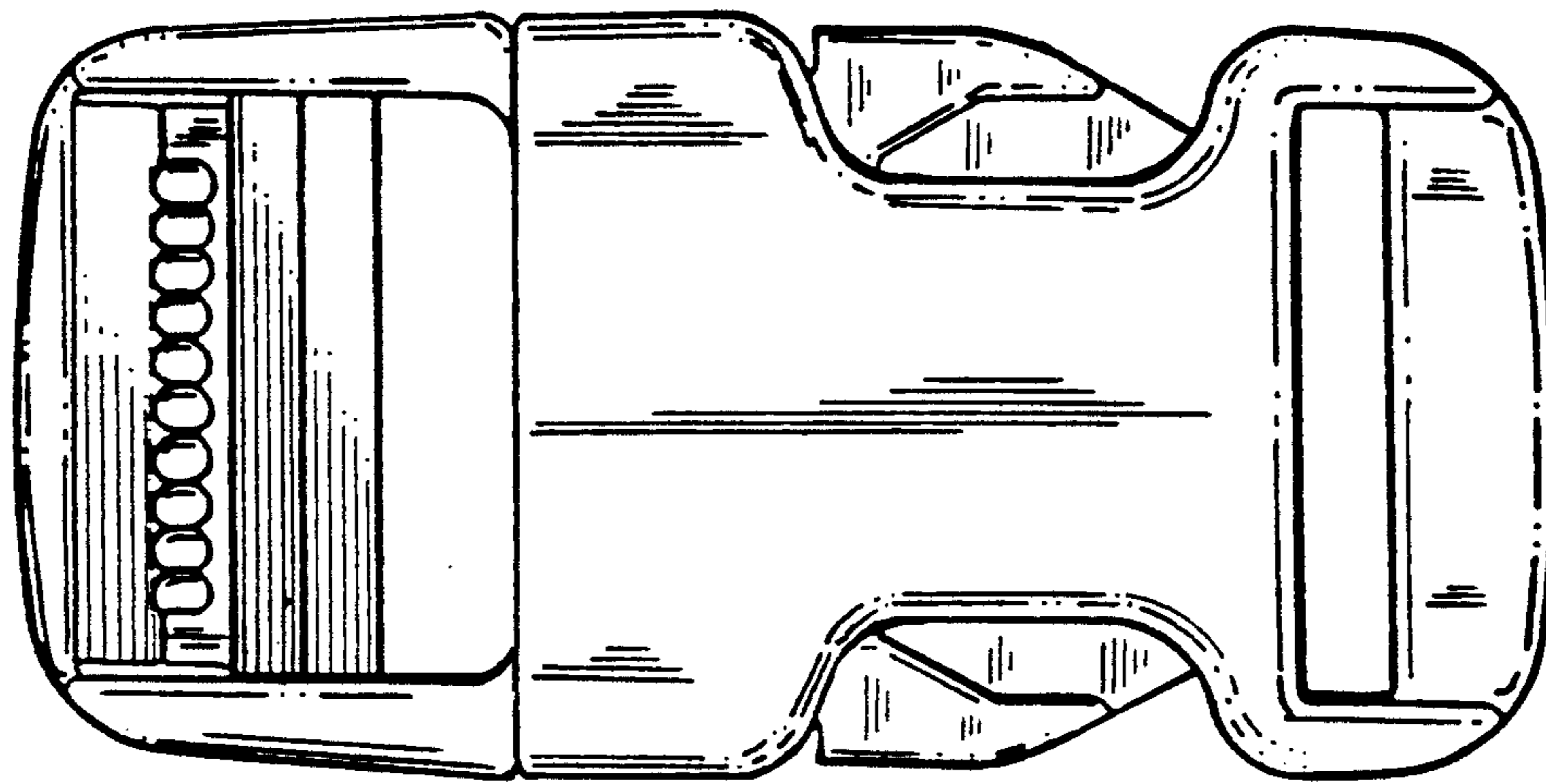


FIG. 2

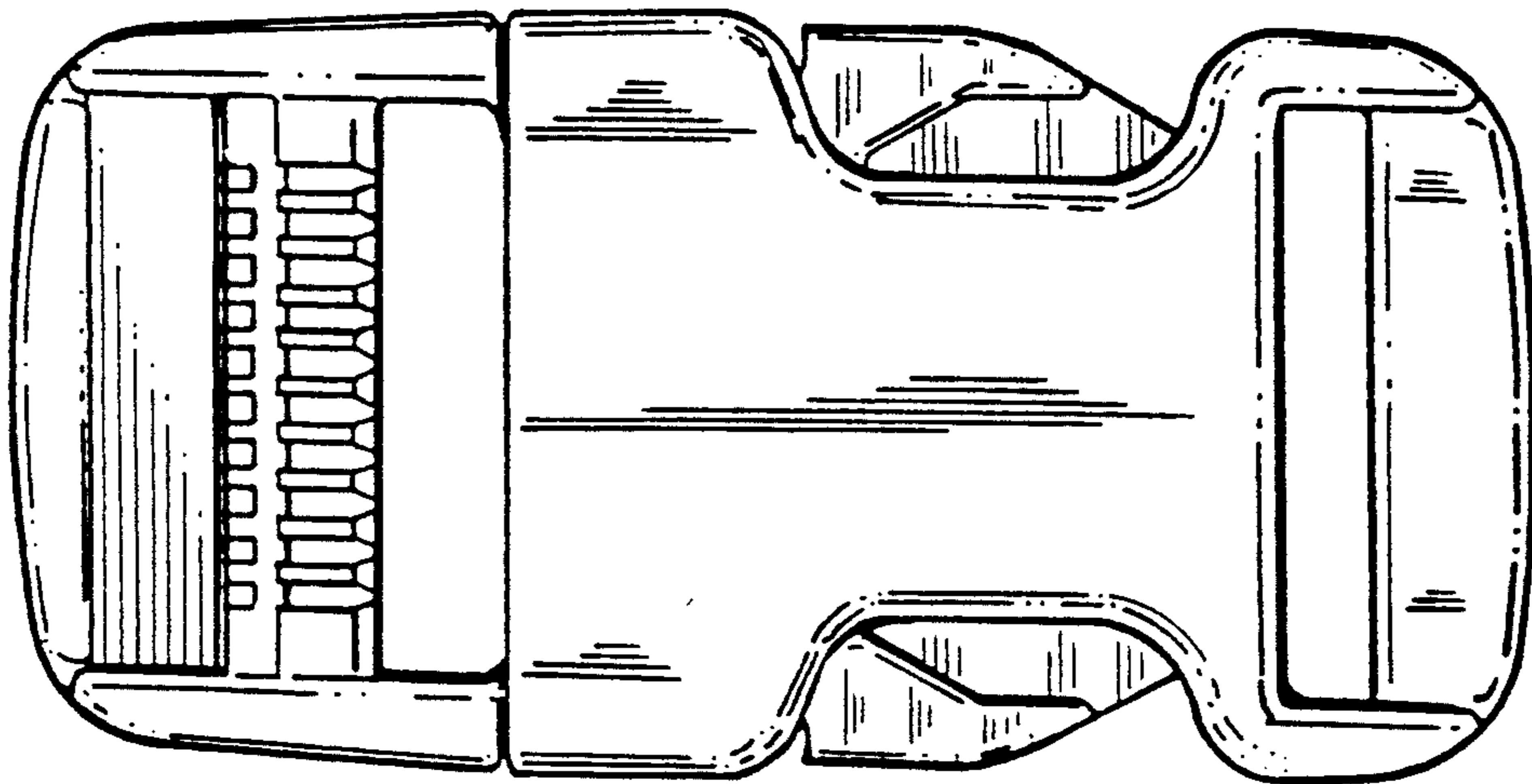


FIG. 1

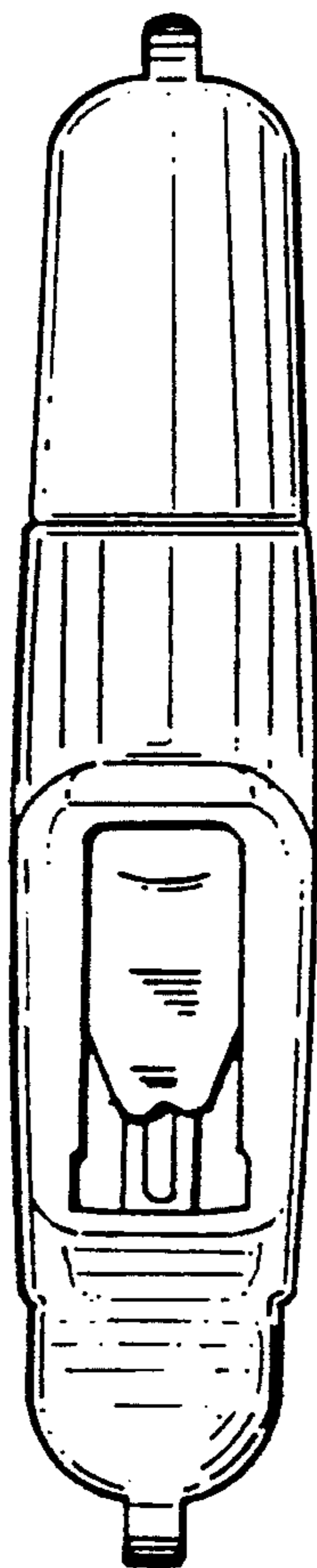


FIG. 3

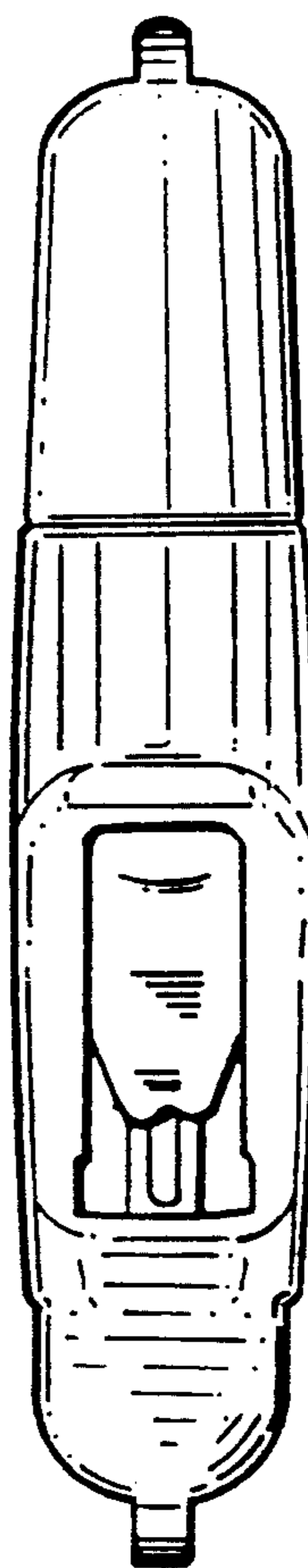


FIG. 4

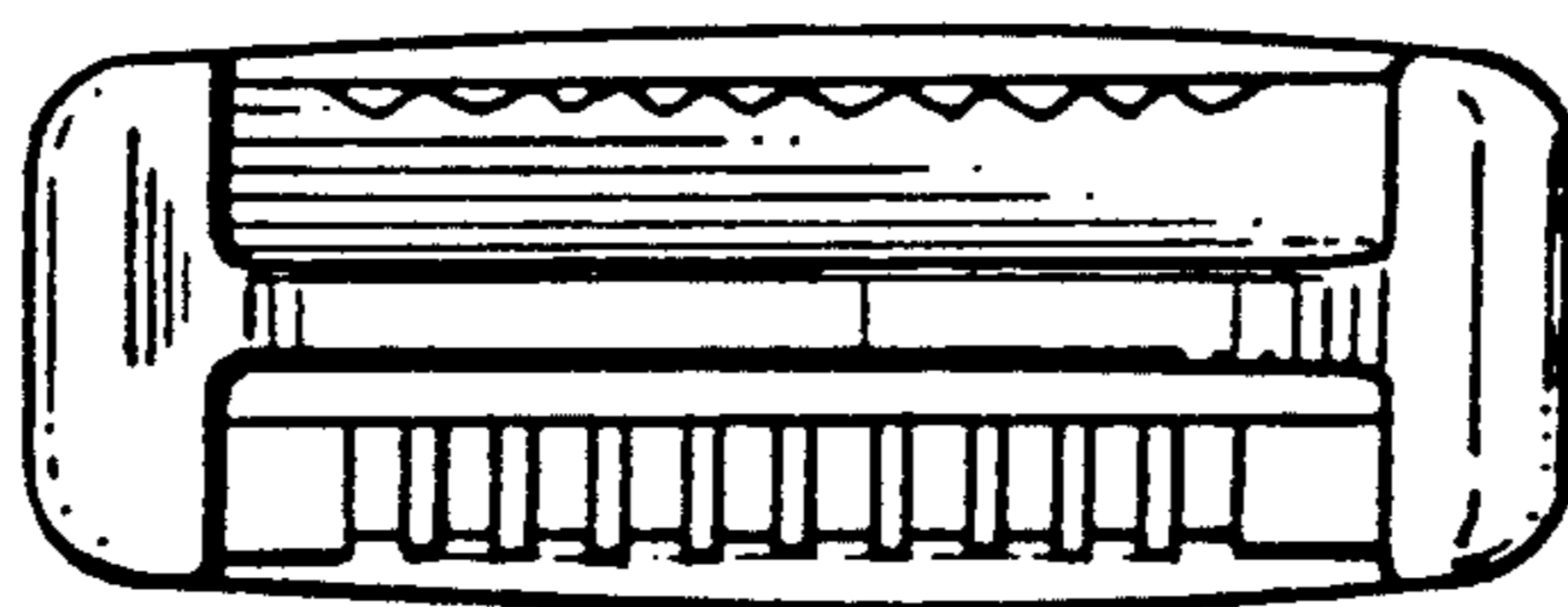


FIG. 5

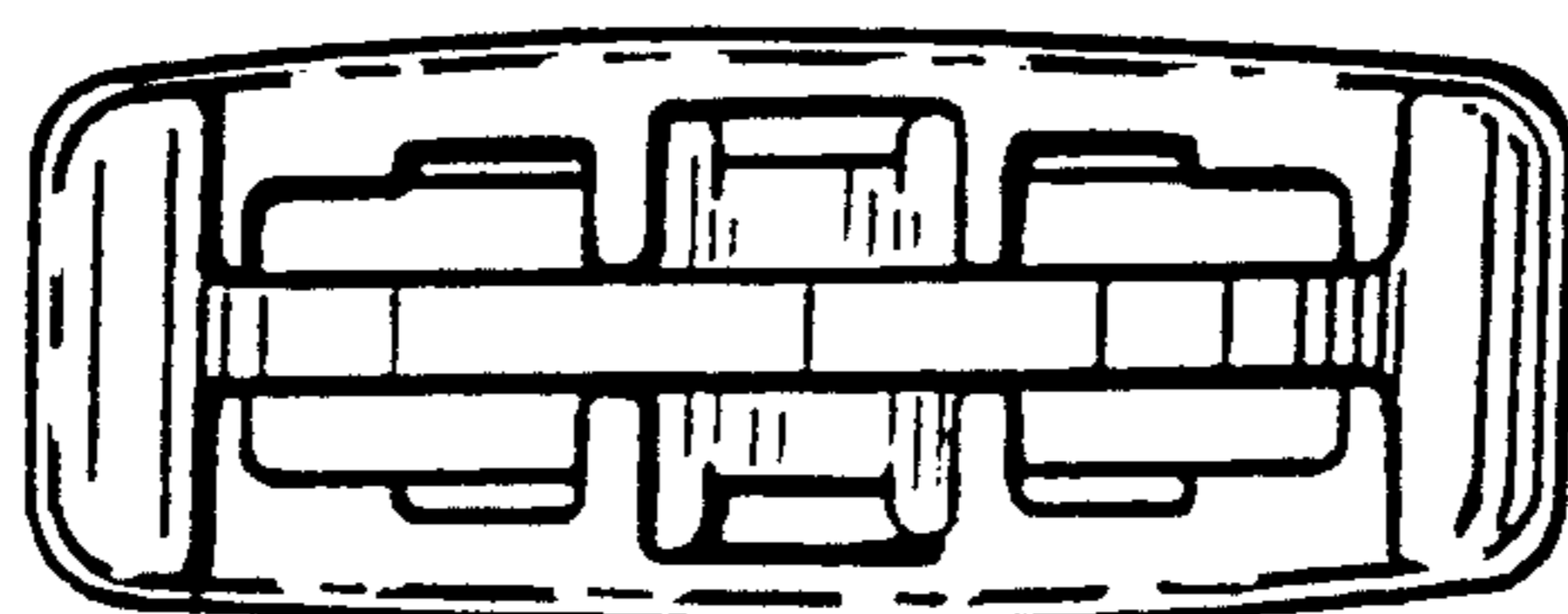


FIG. 6

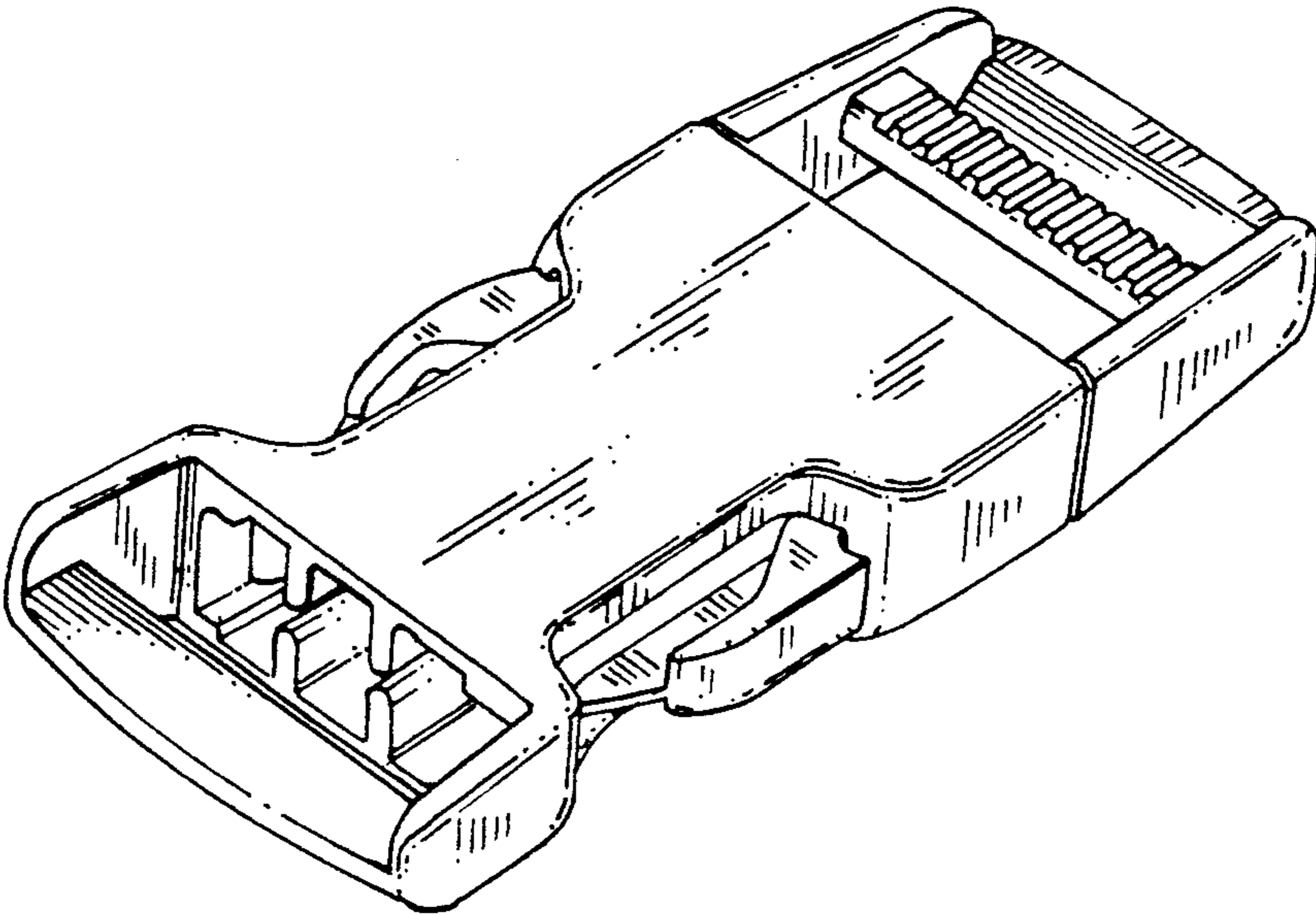


FIG. 7