



US00D340882S

United States Patent [19]

[11] Patent Number: **Des. 340,882**

Holtkamp, Jr.

[45] Date of Patent: **** Nov. 2, 1993**

[54] PLANT WATERING CONTAINER

4,829,709 5/1989 Centafanti 47/81
4,932,159 6/1990 Holtkamp, Jr. 47/81

[75] Inventor: Reinhold Holtkamp, Jr., Nashville, Tenn.

Primary Examiner—B. J. Bullock
Attorney, Agent, or Firm—Foley & Lardner

[73] Assignee: Holtkamp Greenhouses, Inc., Nashville, Tenn.

[57] **CLAIM**

[**] Term: 14 Years

The ornamental design for a plant watering container, as shown and described.

[21] Appl. No.: 755,360

DESCRIPTION

[22] Filed: Sep. 4, 1991

[52] U.S. Cl. D11/164; D11/143

[58] Field of Search D11/143, 152, 164; 47/79, 81, 39

FIG. 1 is a side elevational view of a plant watering container showing my new design, the flowers and leaves being shown in broken lines for illustrative purposes only;

FIG. 2 is a top perspective view;

FIG. 3 is a top plan view;

FIG. 4 is a bottom plan view;

FIG. 5 is a bottom perspective view; and,

FIG. 6 is an exploded perspective view.

[56]

References Cited

U.S. PATENT DOCUMENTS

D. 254,194 2/1980 Smith D11/152
D. 296,425 6/1988 Carlson D11/152

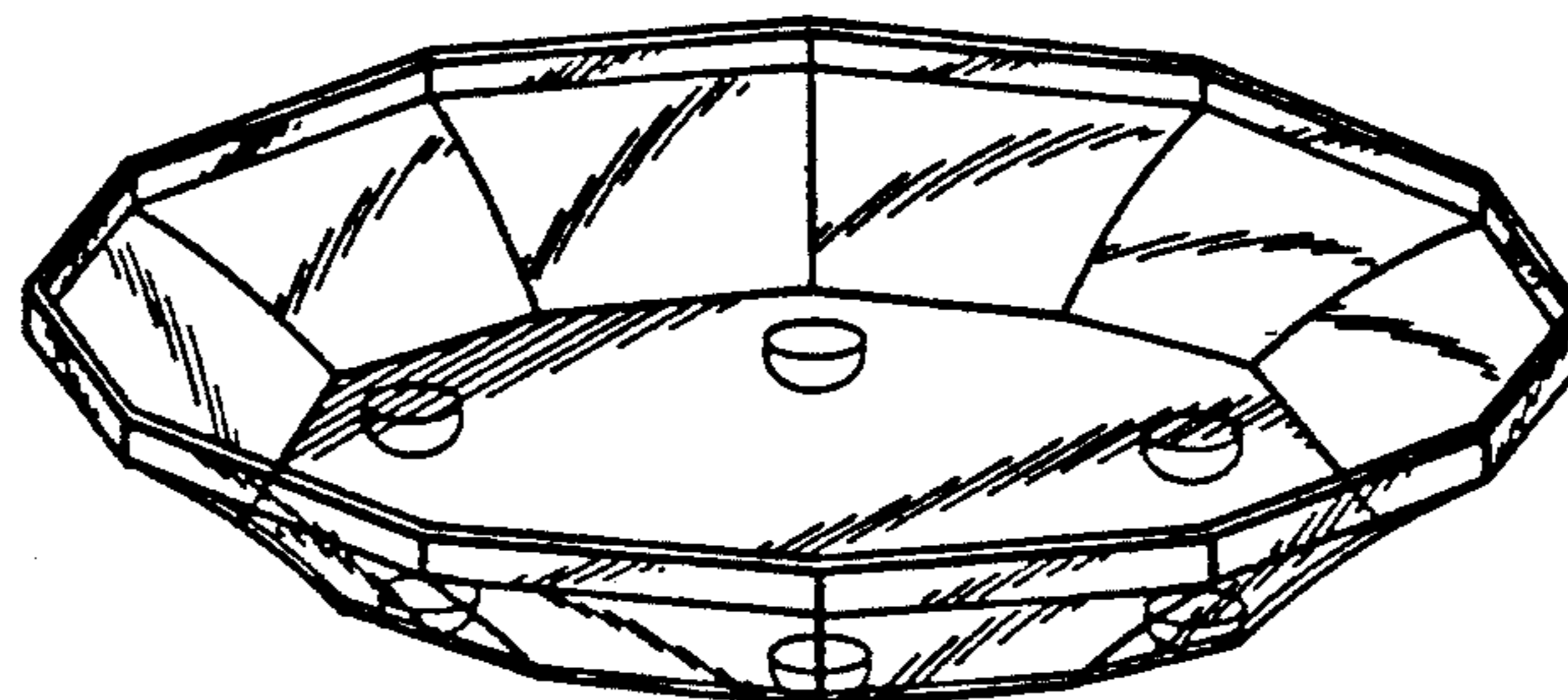
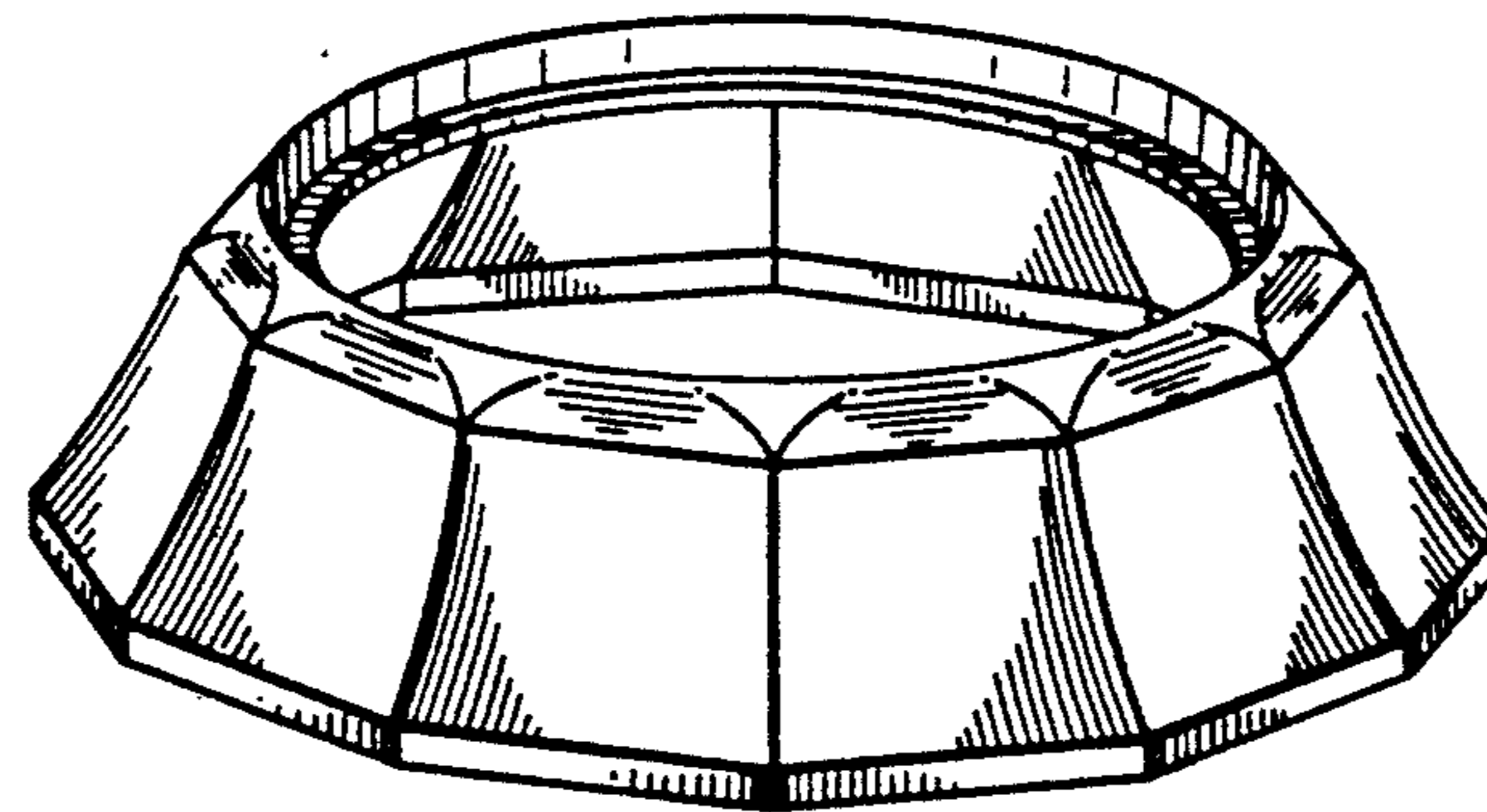
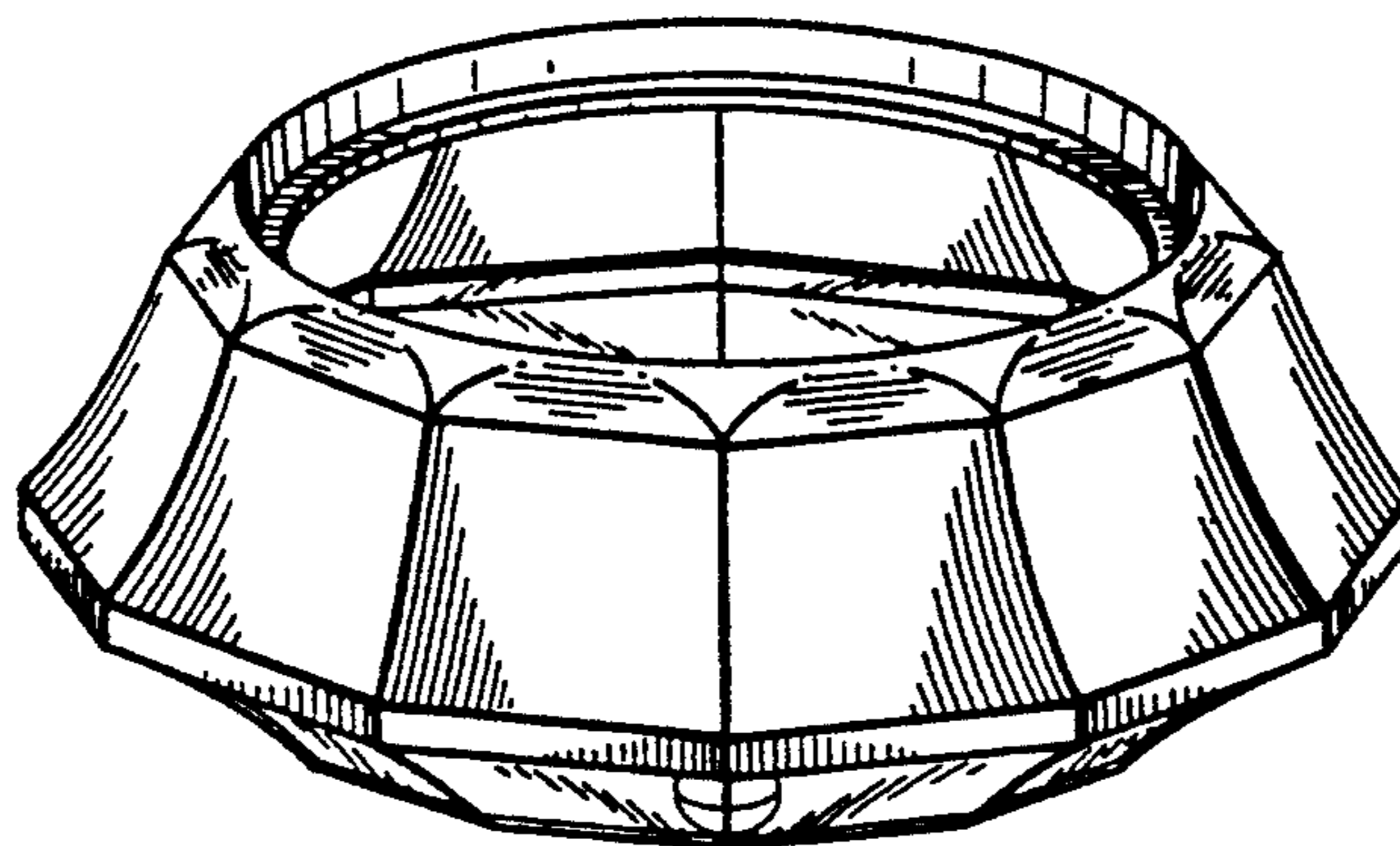


FIG. 1

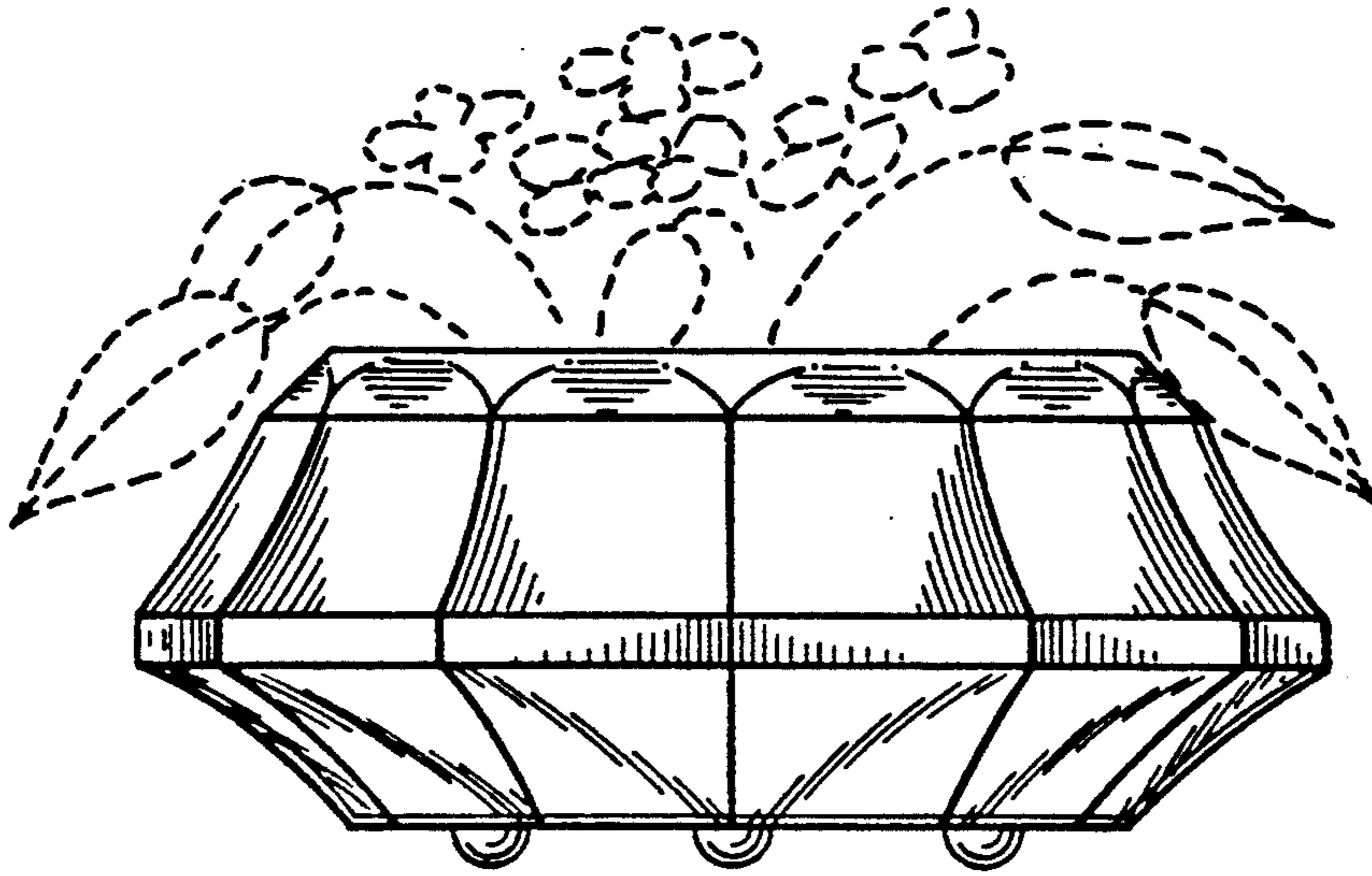


FIG. 2

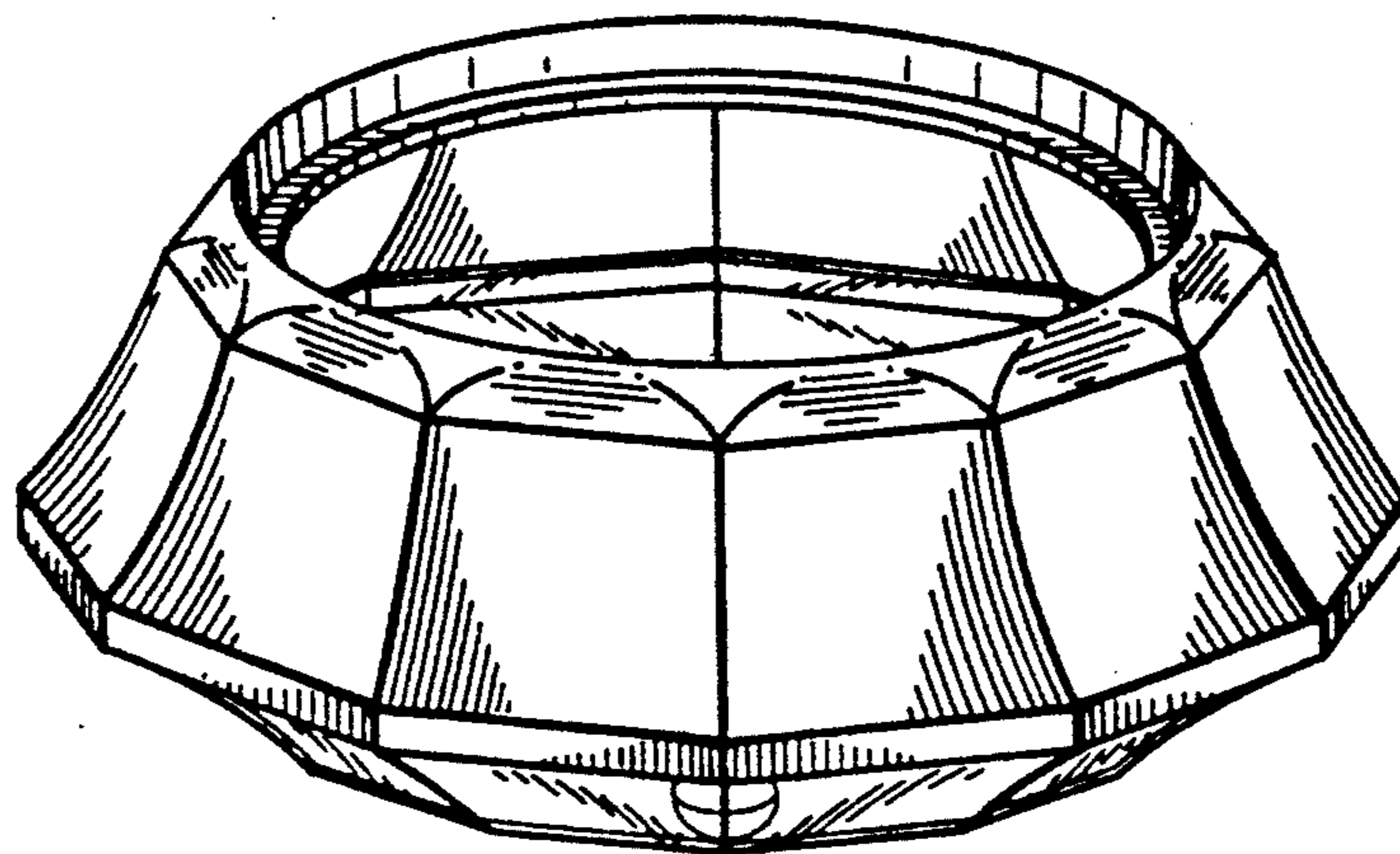


FIG. 3

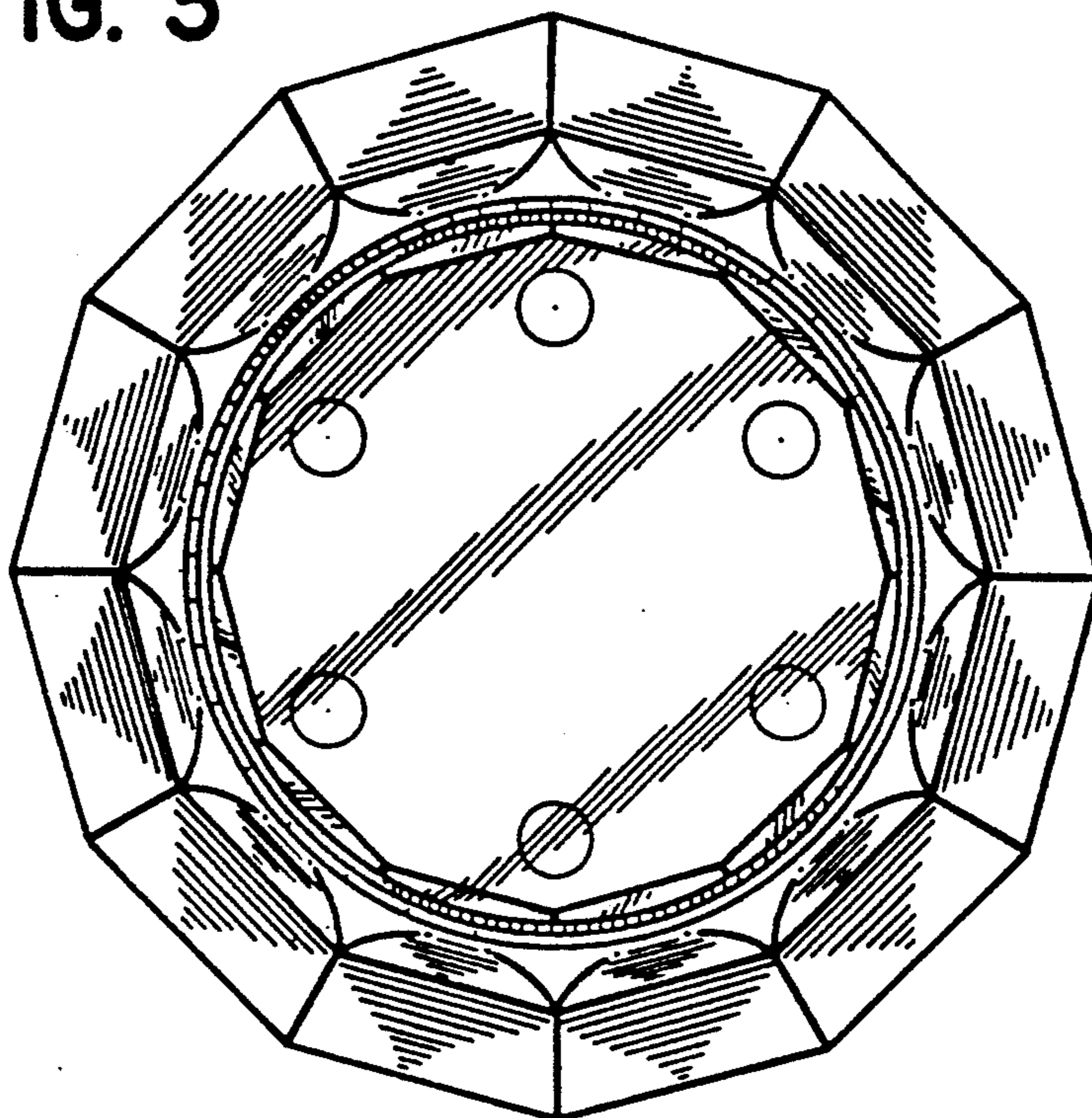


FIG. 4

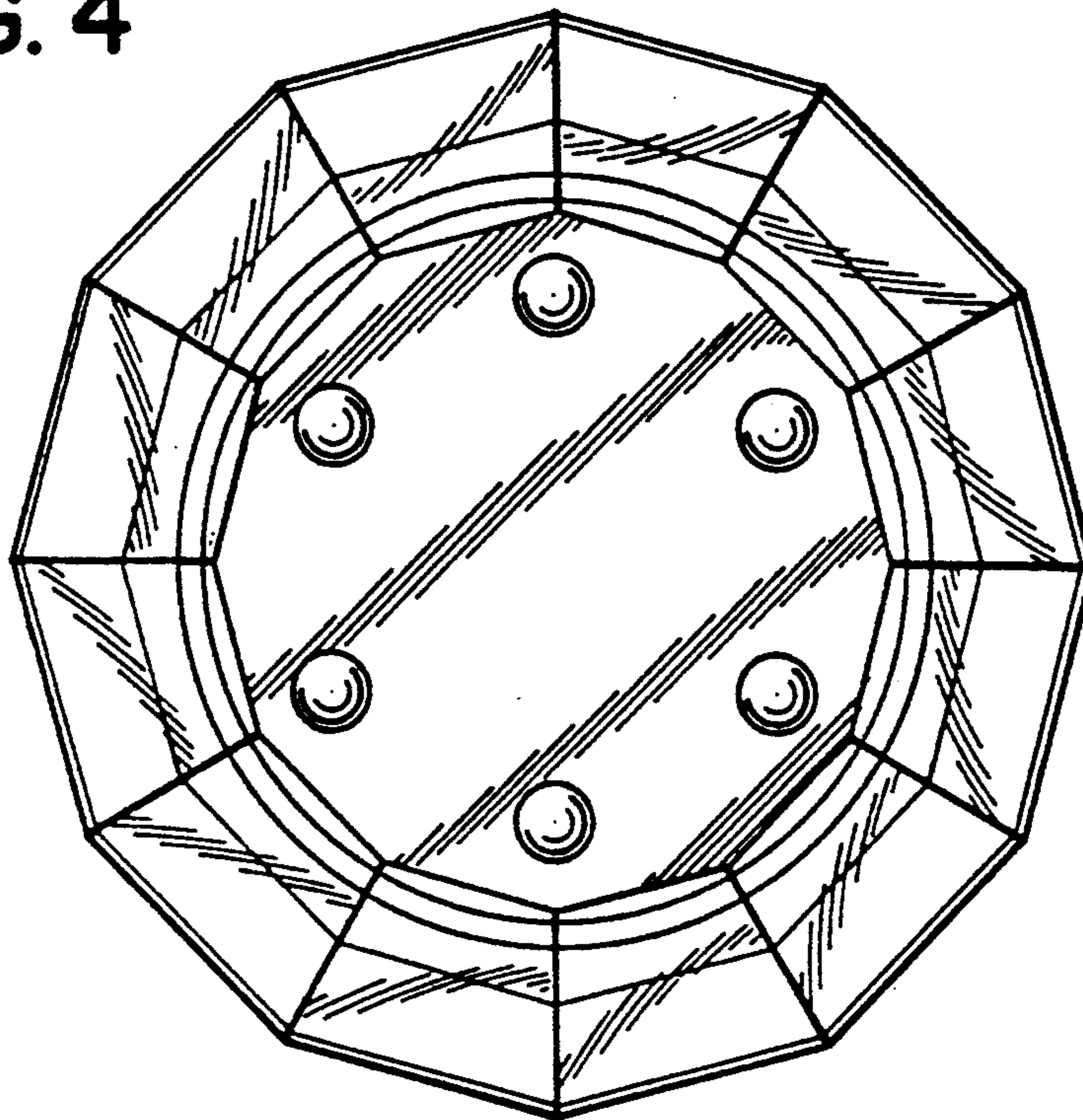


FIG. 5

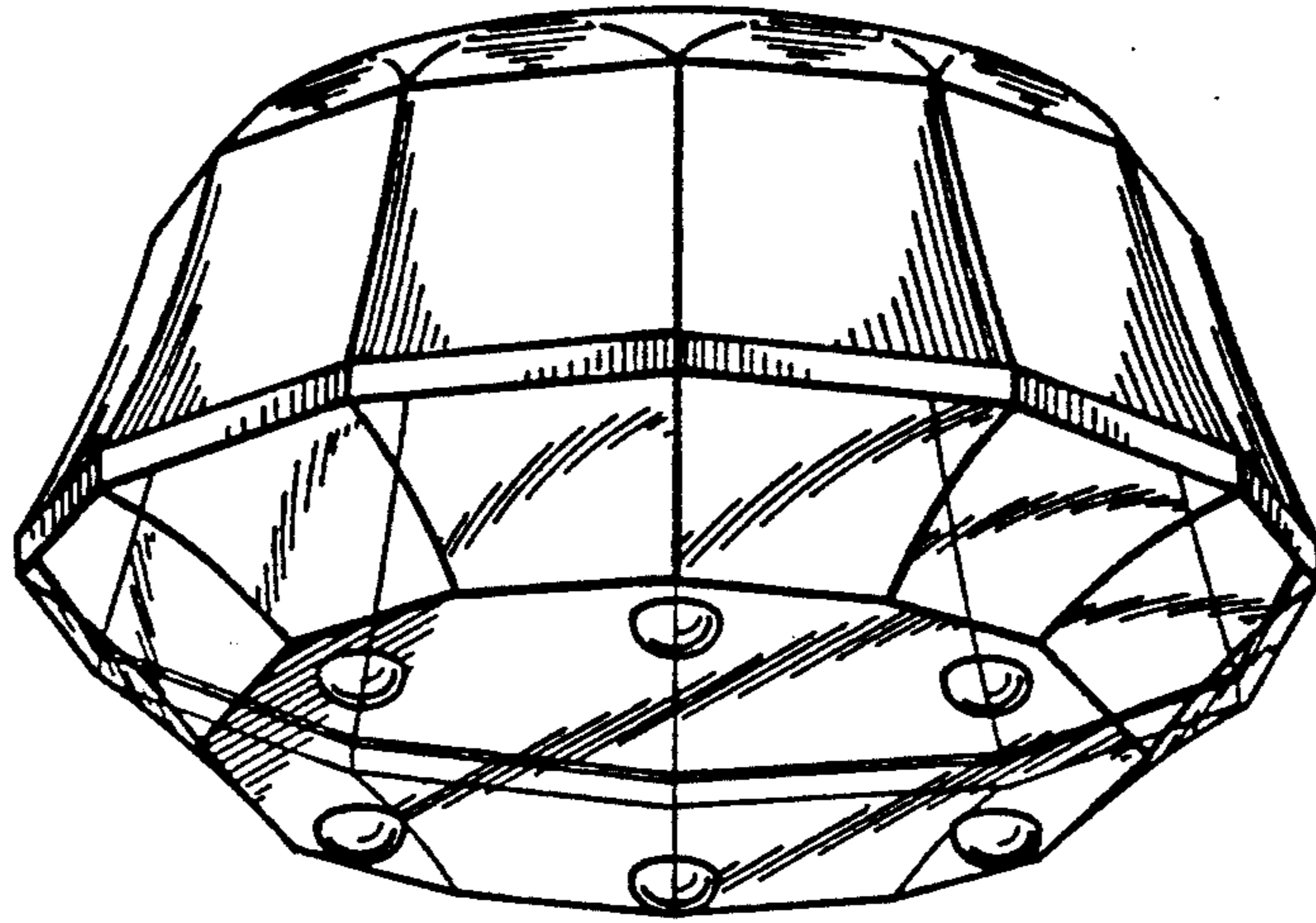


FIG. 6

