



US00D340880S

United States Patent [19]

[11] Patent Number: **Des. 340,880**

Walton

[45] Date of Patent: **** Nov. 2, 1993**

- [54] **CELEBRITY TRADING CARD PLAQUE**
- [76] Inventor: **Thomas M. Walton**, 47 Hampton Way, Penfield, N.Y. 14526
- [**] Term: **14 Years**
- [21] Appl. No.: **834,495**
- [22] Filed: **Feb. 10, 1992**
- [52] U.S. Cl. **D11/132; D6/300; D6/303; D11/133**
- [58] Field of Search **D11/131, 132, 133; D6/300, 303; 428/913.3; 40/152**

- 4,939,858 7/1990 Dailey .
- 4,944,968 7/1990 Wagner .
- 4,979,619 12/1990 Hager .
- 4,995,508 2/1991 Burley .
- 5,025,579 6/1991 Krueger .

Primary Examiner—Bernard Ansher
Assistant Examiner—Dominic Simone
Attorney, Agent, or Firm—J. Lanny Tucker

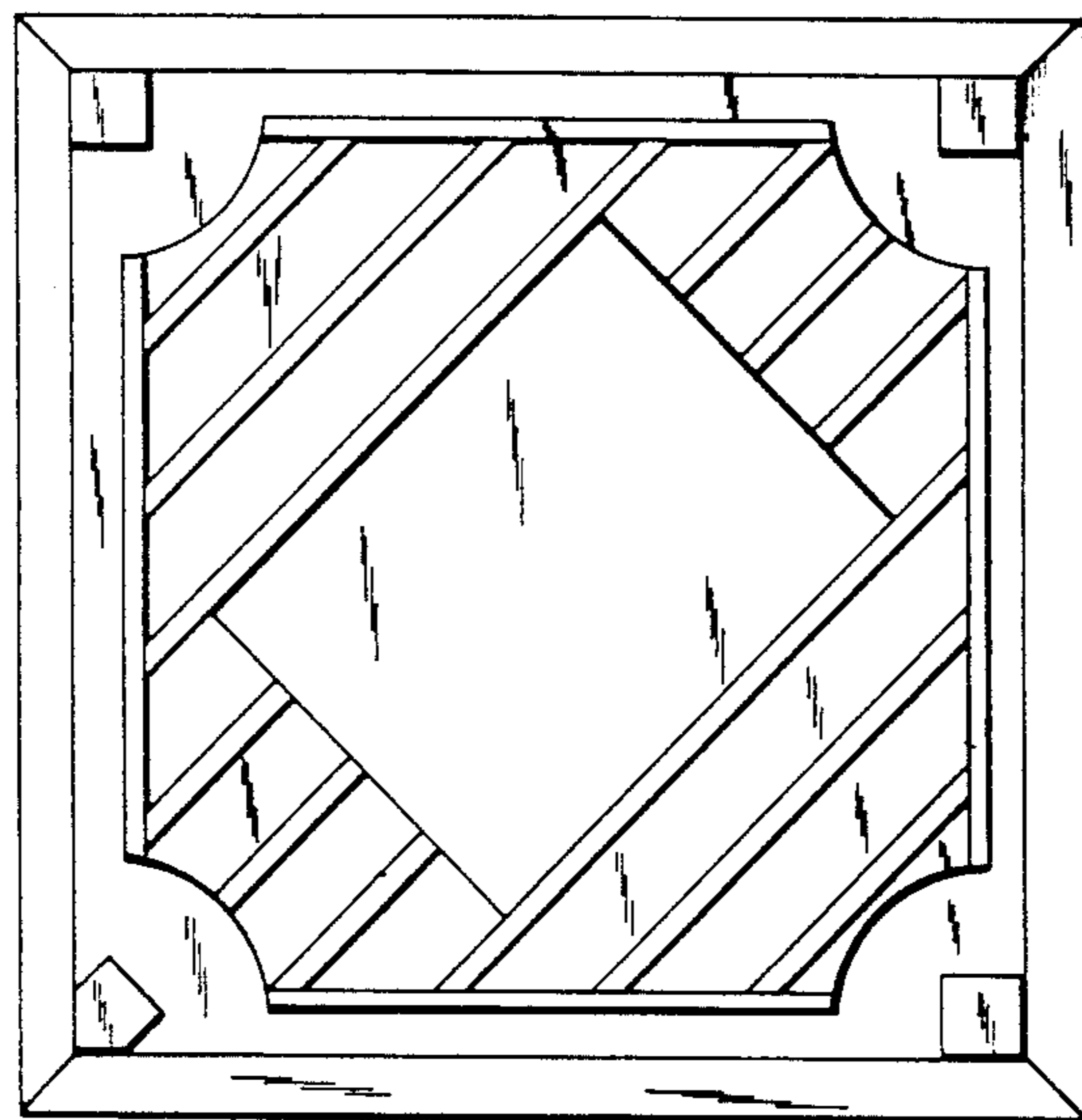
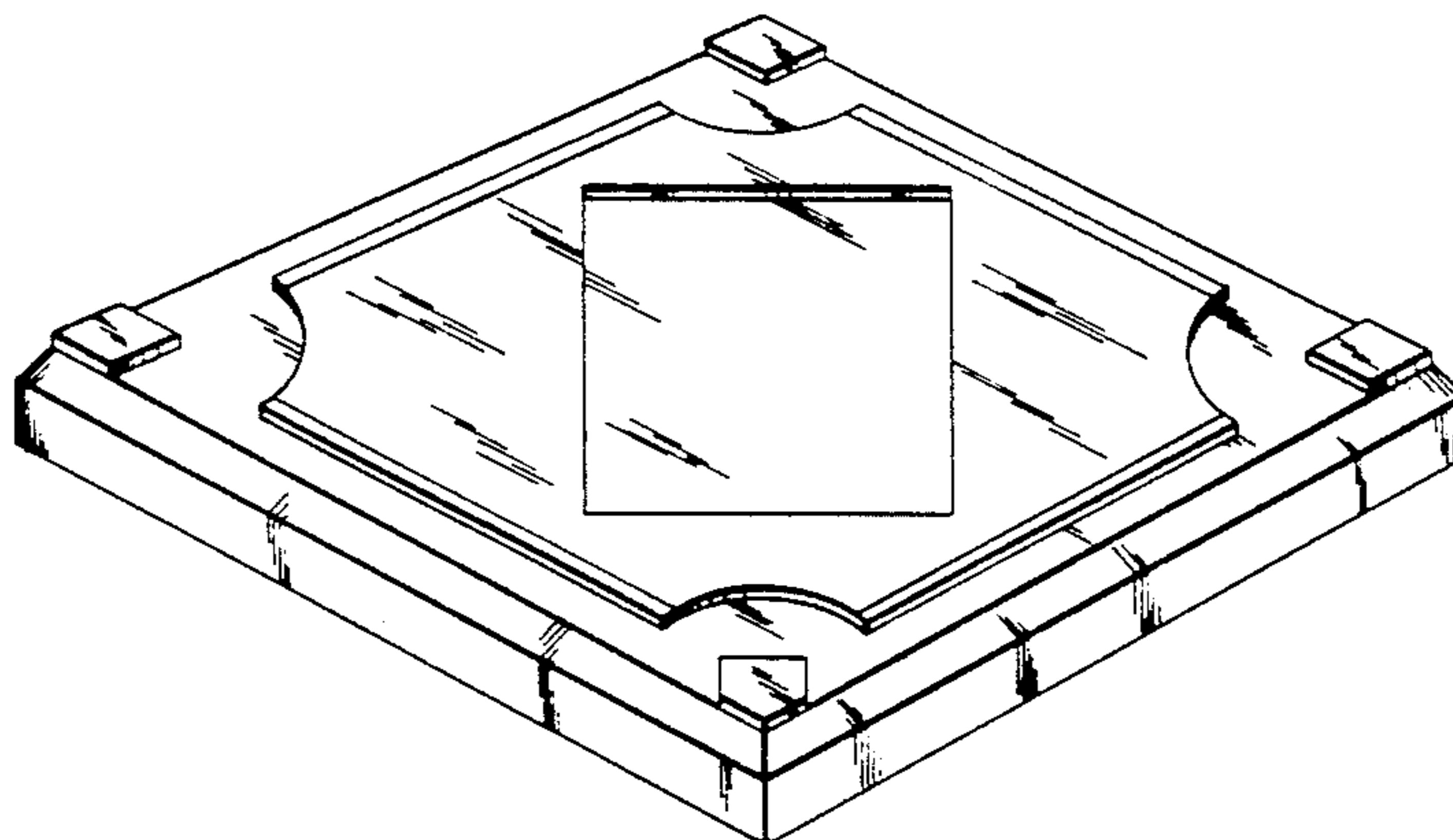
[57] CLAIM

The ornamental design for a celebrity trading card plaque, substantially as shown and described.

DESCRIPTION

FIG. 1 is a top perspective view of a celebrity trading card plaque showing my new design;
 FIG. 2 is a top plan view thereof;
 FIG. 3 is a front elevational view of FIG. 2;
 FIG. 4 is a left side elevational view of FIG. 2;
 FIG. 5 is a right side elevational view of FIG. 2;
 FIG. 6 is a bottom plan view thereof; and,
 FIG. 7 is a top plan view of a second embodiment of FIG. 1, the difference residing in the raised pinstripes in the central section.

- [56] **References Cited**
- U.S. PATENT DOCUMENTS**
- D. 161,350 12/1950 Leventhal .
- D. 221,234 7/1971 Anderson D11/132
- D. 247,774 4/1978 Underwood .
- D. 295,389 4/1988 Maddox et al. .
- D. 317,530 6/1991 Masterson .
- 2,163,978 6/1939 Ivanek .
- 3,949,506 4/1976 Benkowski .
- 4,258,488 3/1981 Schienbein .
- 4,860,468 8/1989 Cliborn .



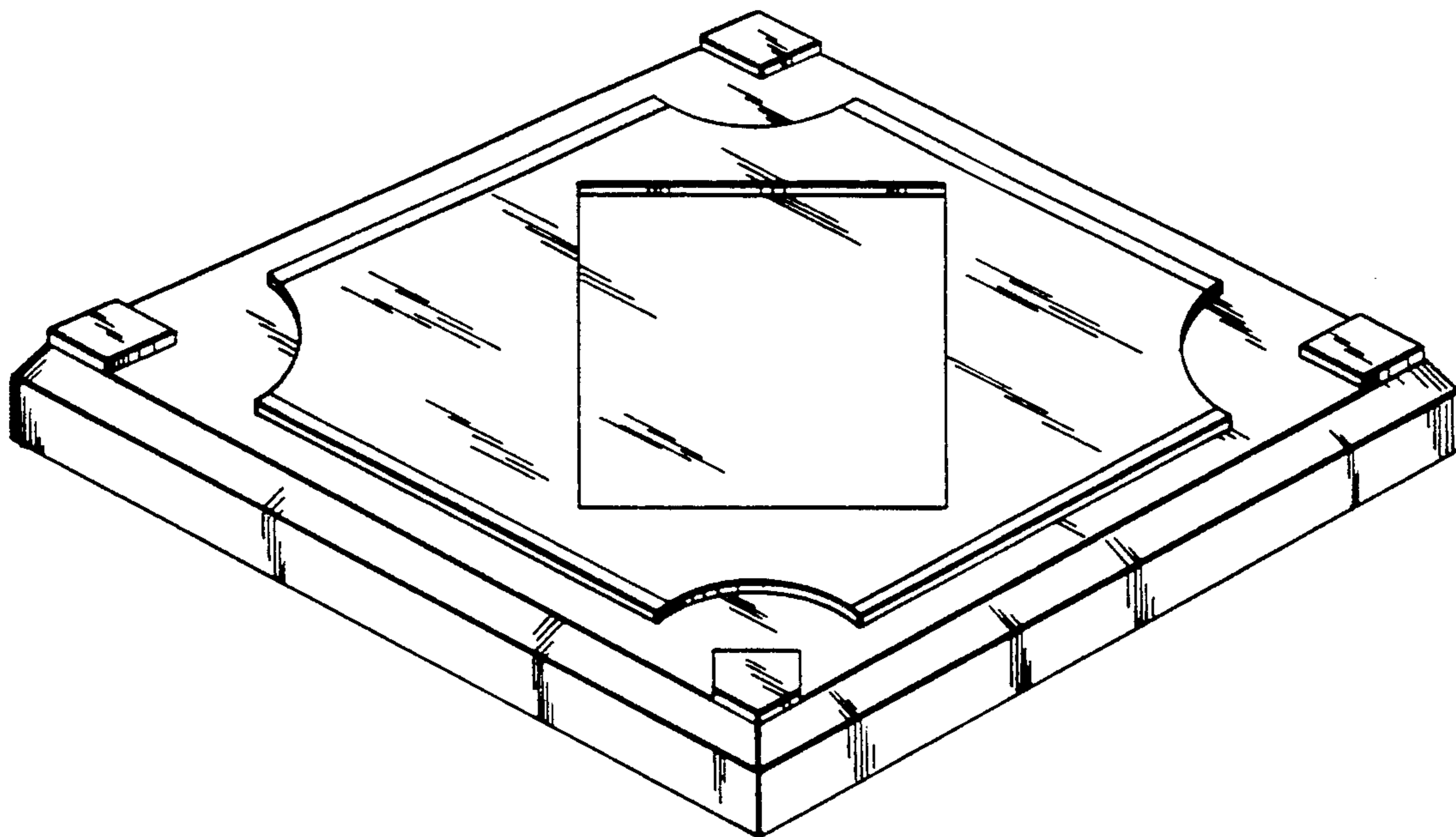


FIG. 1

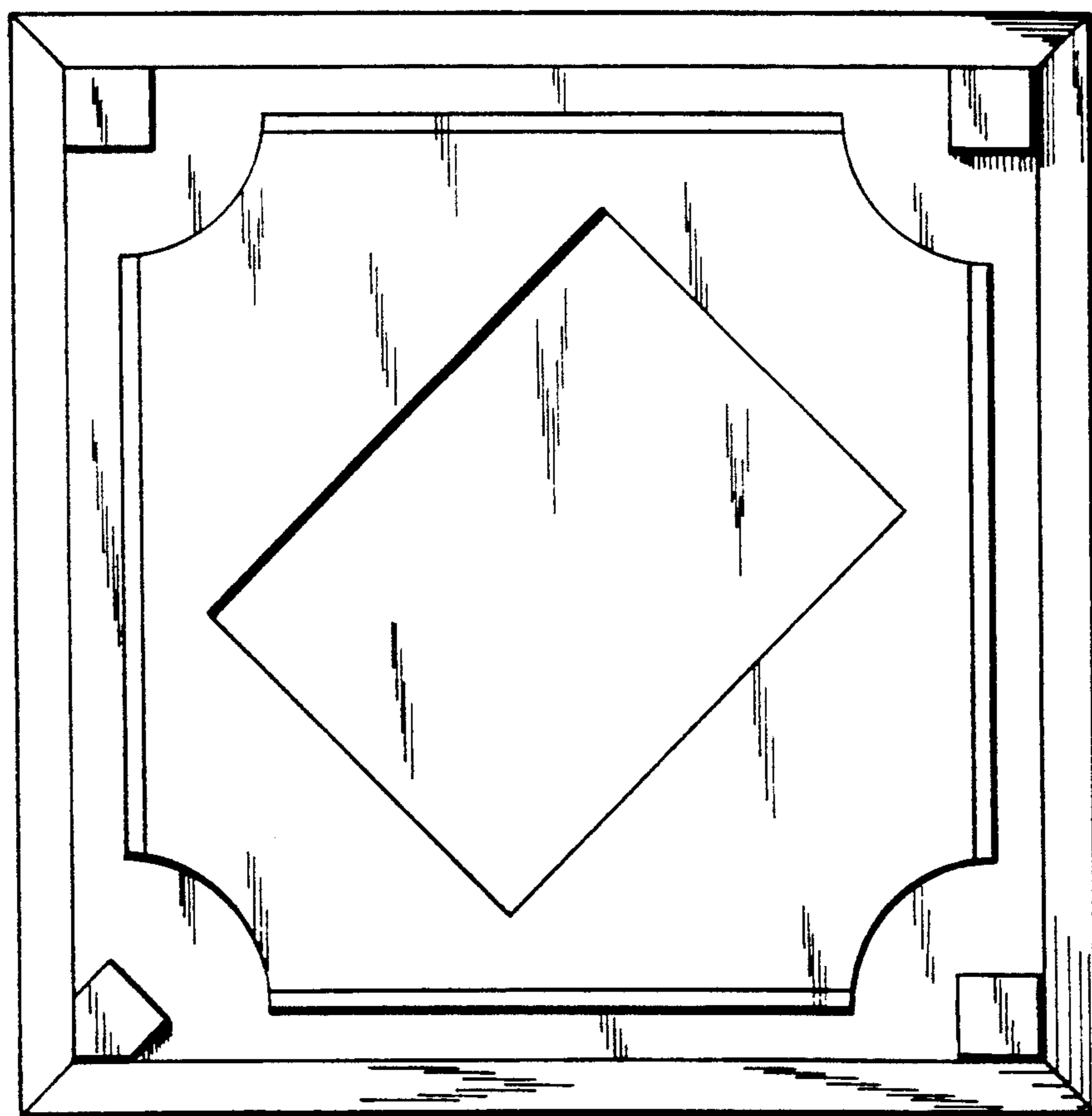


FIG. 2



FIG. 3

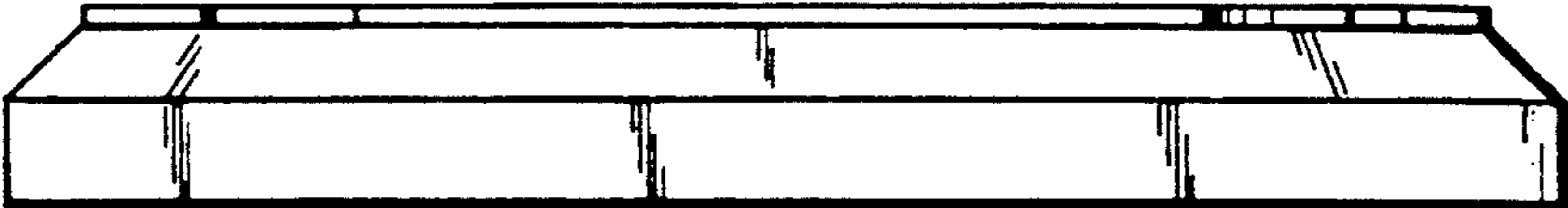


FIG. 4



FIG. 5

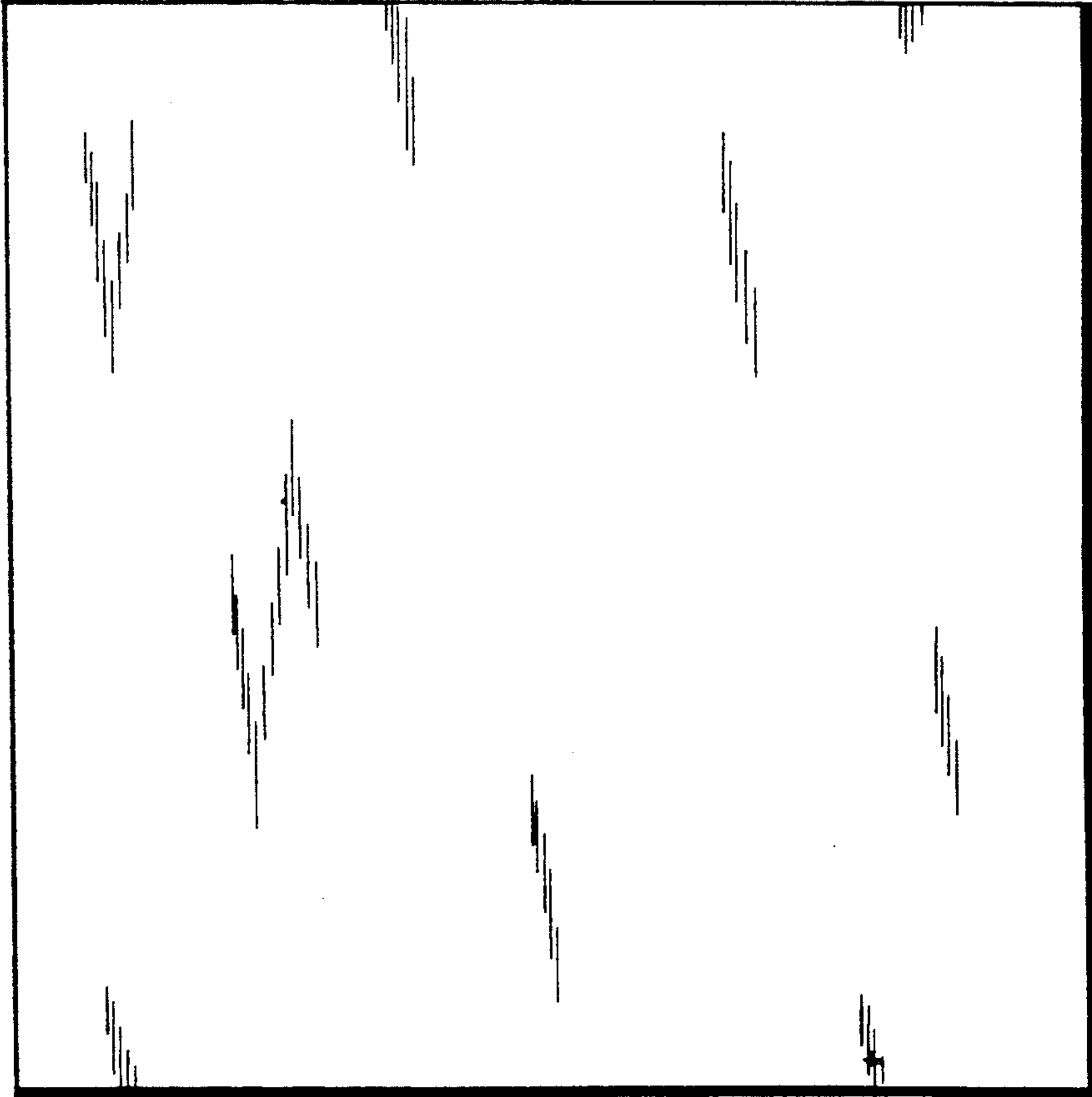


FIG. 6

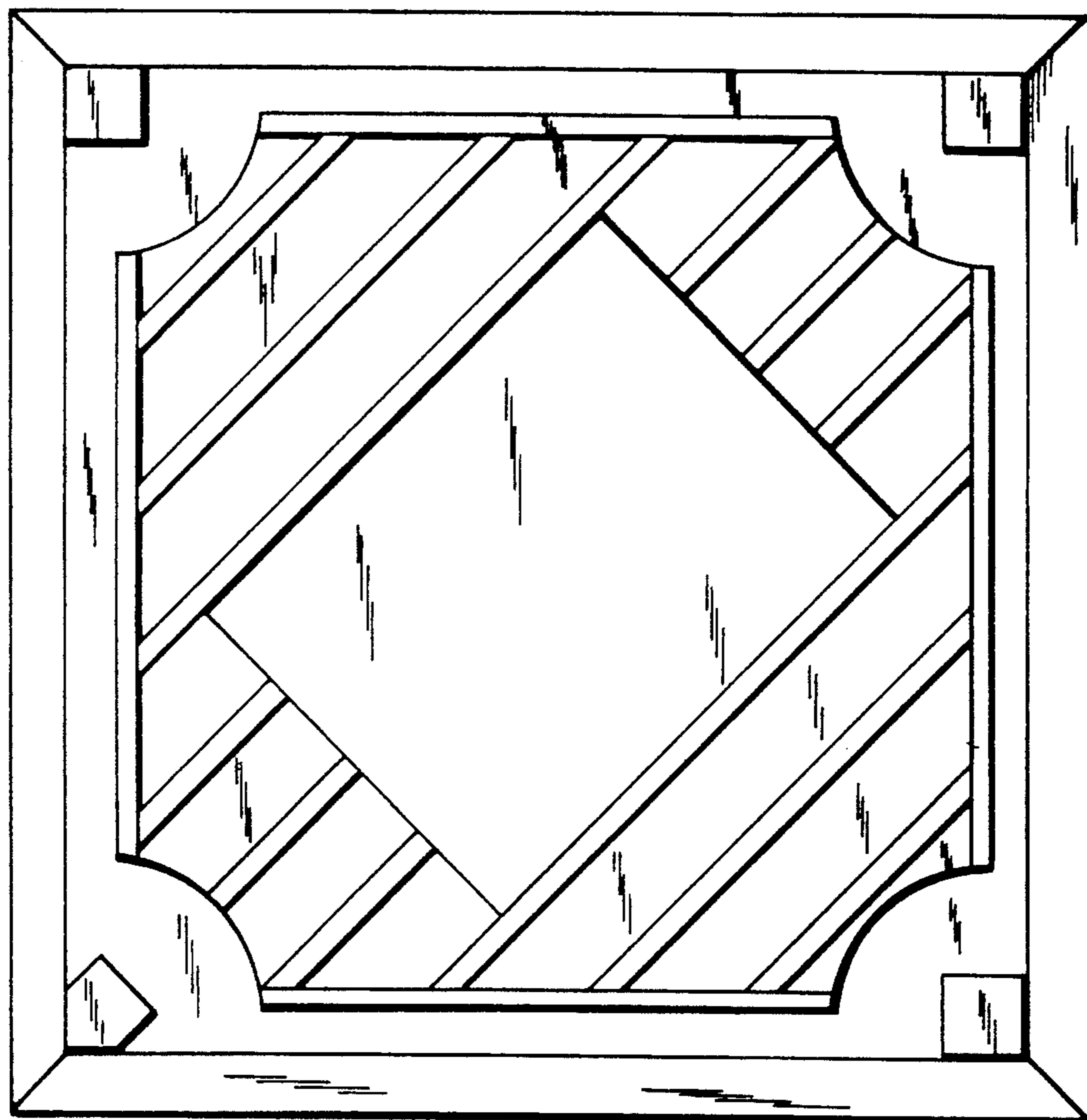


FIG. 7