



US00D340879S

United States Patent [19]

[11] Patent Number: **Des. 340,879**

French

[45] Date of Patent: **** Nov. 2, 1993**

[54] **BRACELET**

[75] Inventor: **Alan French, Warwick, R.I.**

[73] Assignee: **Park Lane Associates, Inc., Providence, R.I.**

[**] Term: **14 Years**

[21] Appl. No.: **915,891**

[22] Filed: **Jul. 15, 1992**

[52] U.S. Cl. **D11/6; D11/3**

[58] Field of Search **D11/1-18, D11/20-25, 93-94, 87; 63/26, 1.1, 2-11; 59/78, 79.1-79.3, 80-82, 84, 90-92; D10/30-39**

[56] **References Cited**

U.S. PATENT DOCUMENTS

D. 83,764	3/1931	Stegeman, Jr.	D10/32
D. 169,651	5/1953	Augenstein	D11/25
D. 171,744	3/1954	Augenstein	D11/25
D. 176,301	12/1955	Augenstein	D11/25
D. 179,494	1/1957	Sand	D11/25
1,847,901	3/1932	Roy	59/80
1,901,345	3/1933	Carlson	59/80
1,927,044	9/1933	Nelson	D11/93
2,449,425	9/1948	Stieger	59/79.1
2,734,339	2/1956	Augenstein	59/79.1

Primary Examiner—A. Hugo Word

Assistant Examiner—R. Seifert

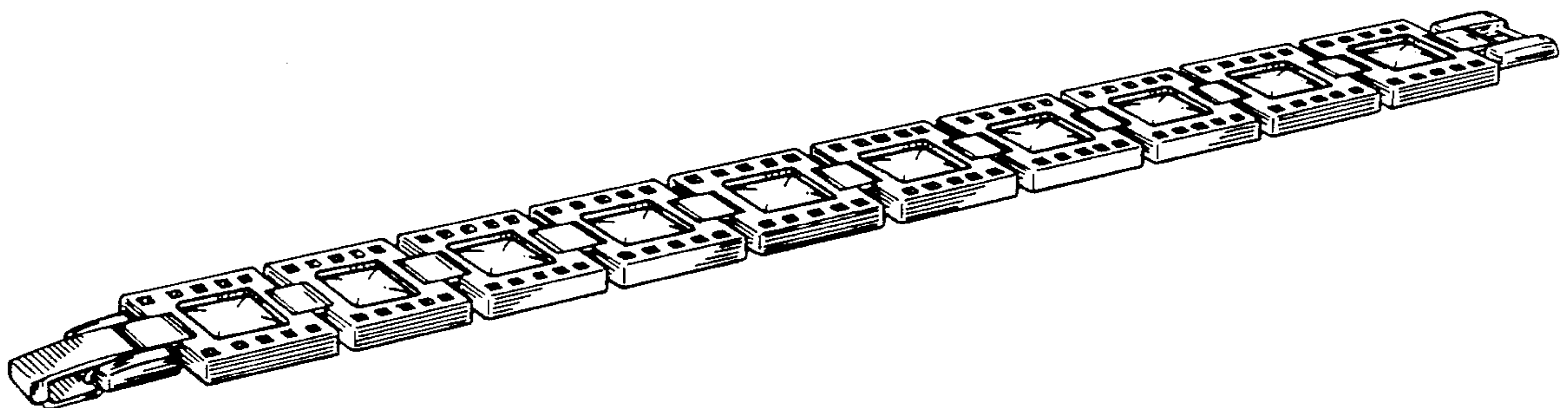
Attorney, Agent, or Firm—Fish & Richardson

[57] **CLAIM**

The ornamental design for a bracelet, as shown and described.

DESCRIPTION

FIG. 1 is a perspective view of a bracelet showing my new design;
 FIG. 2 is a top plan view;
 FIG. 3 is a side elevational view;
 FIG. 4 is a bottom plan view;
 FIG. 5 is an end elevational view;
 FIG. 6 is an end elevational view showing the side opposite FIG. 5;
 FIG. 7 is a side elevational view showing the side opposite FIG. 3;
 FIG. 8 is a perspective view of a bracelet showing a second embodiment of my new design;
 FIG. 9 is a top plan view of FIG. 8;
 FIG. 10 is a side elevational view of FIG. 8;
 FIG. 11 is a bottom plan view of FIG. 8;
 FIG. 12 is an end elevational view showing the side opposite FIG. 12;
 FIG. 13 is an end elevational view showing the side opposite FIG. 12; and,
 FIG. 14 is a side elevational view showing the side opposite FIG. 10.



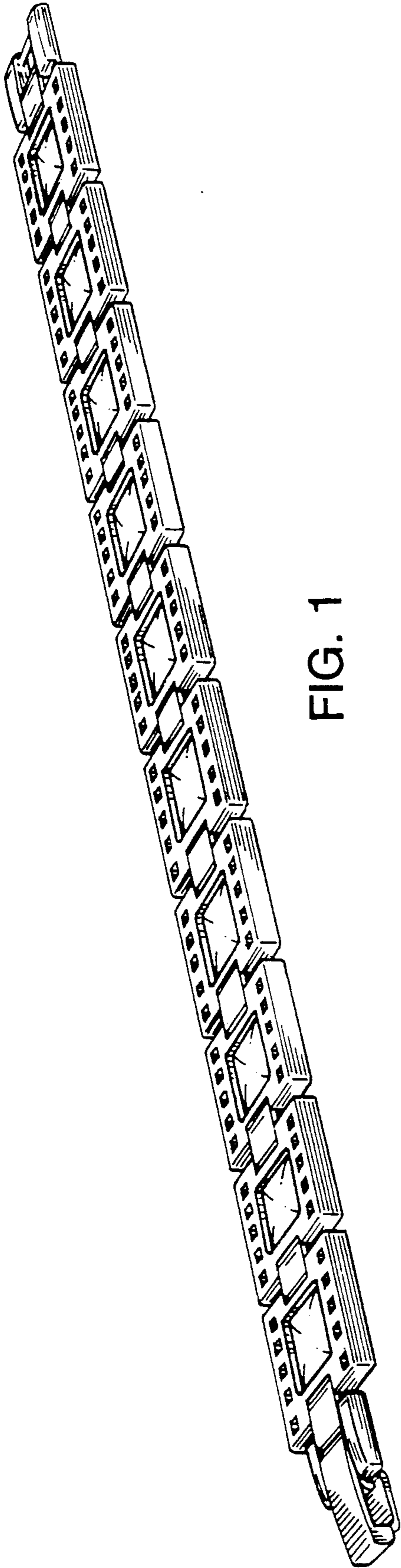


FIG. 1

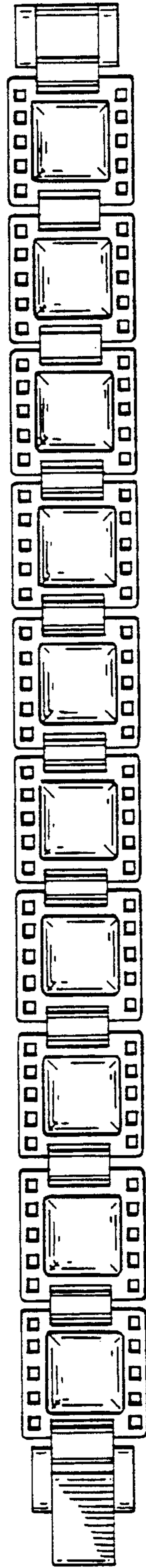


FIG. 2



FIG. 3

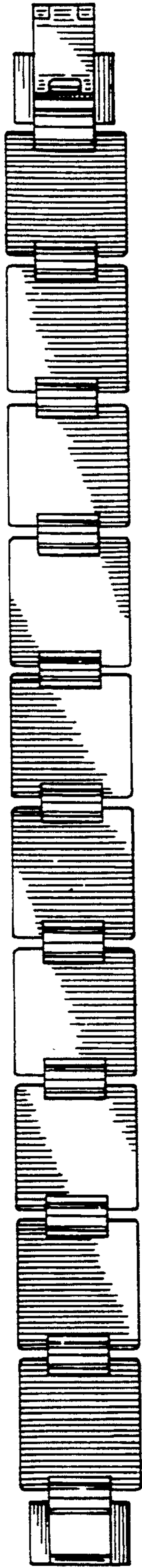


FIG. 4



FIG. 6



FIG. 5



FIG. 7

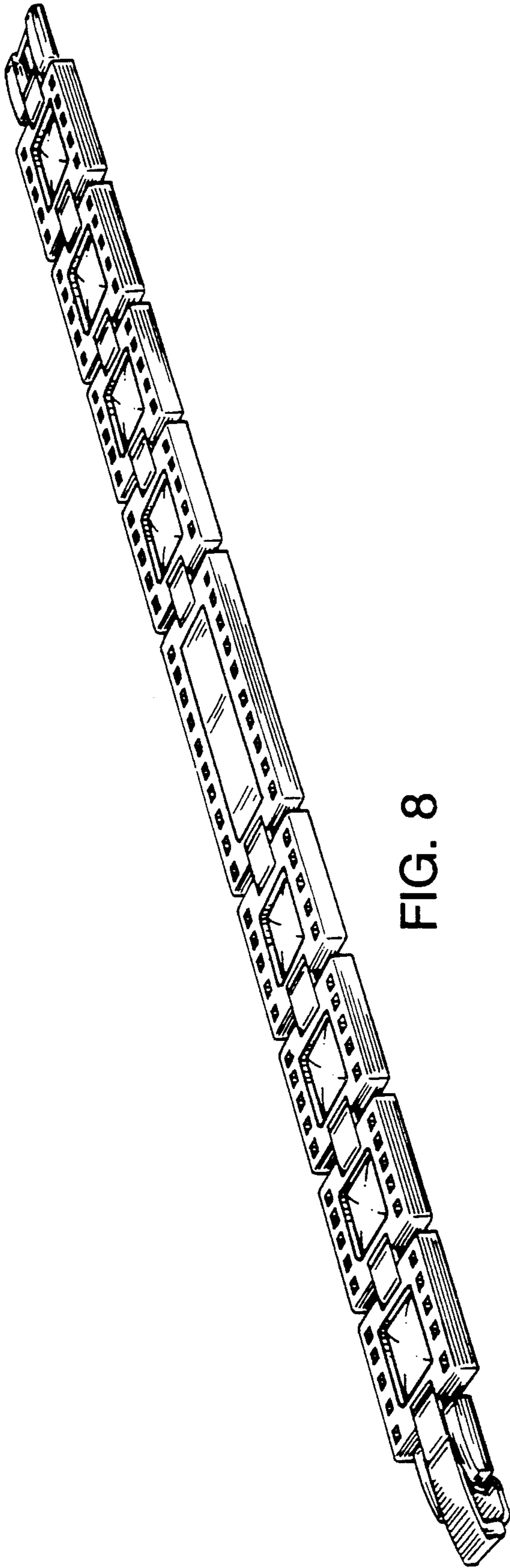


FIG. 8

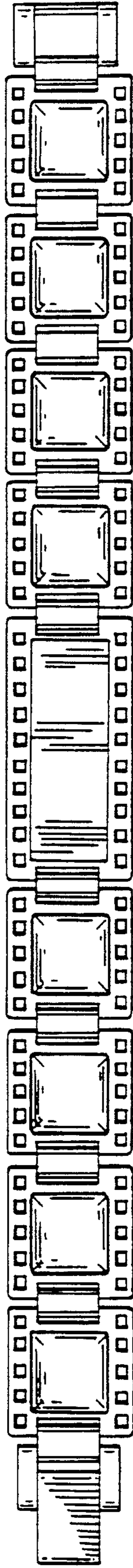


FIG. 9



FIG. 10

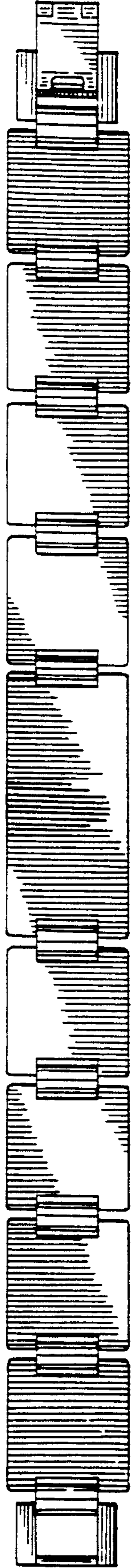


FIG. 11

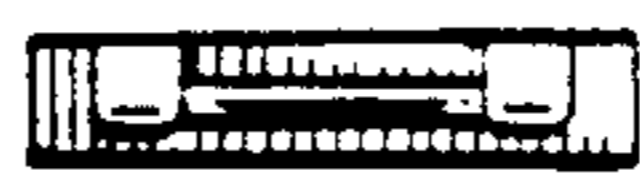


FIG. 12



FIG. 13



FIG. 14