



US00D340876S

United States Patent [19]

[11] Patent Number: **Des. 340,876**

Shipman et al.

[45] Date of Patent: **** Nov. 2, 1993**

[54] L.P. GAS FLOW METER

4,485,672 12/1984 Rosaen 73/273
4,582,220 4/1986 Batting 73/273 X

[75] Inventors: **Daryl C. Shipman; Tammie J. Dorn,**
both of Greenwood, S.C.

[73] Assignee: **Schlumberger Industries, Inc.,**
Atlanta, Ga.

[**] Term: **14 Years**

[21] Appl. No.: **622,091**

[22] Filed: **Dec. 4, 1990**

[52] U.S. Cl. **D10/96; D10/99**

[58] Field of Search **D10/96, 99, 100, 101,**
D10/102; 73/272 R, 273, 3, 4 R, 431, 861.02,
861.03

OTHER PUBLICATIONS

Form C260, by Neptune lp-gas liquid meters.

Primary Examiner—Alan P. Douglas

Assistant Examiner—Antoine D. Davis

Attorney, Agent, or Firm—Lowe, Price LeBlanc &
Becker

[57] CLAIM

The ornamental design for a L.P. gas flow meter, as shown and described.

DESCRIPTION

FIG. 1 is a top, front and left side perspective view of a L.P. gas flow meter showing our new design;

FIG. 2 is a front elevational view thereof;

FIG. 3 is a rear elevational view thereof;

FIG. 4 is a top plan view thereof;

FIG. 5 is a right side elevational view thereof;

FIG. 6 is a left side elevational view thereof; and,

FIG. 7 is a bottom plan view thereof.

[56] References Cited

U.S. PATENT DOCUMENTS

D. 133,043	7/1942	Powell	D10/99
D. 301,018	5/1989	Hestich	D10/85
2,619,838	12/1952	Butterworth	73/272 R
2,654,247	10/1953	Netwon	73/272 R
3,425,275	2/1969	Russell, Jr. et al.	73/272 R X

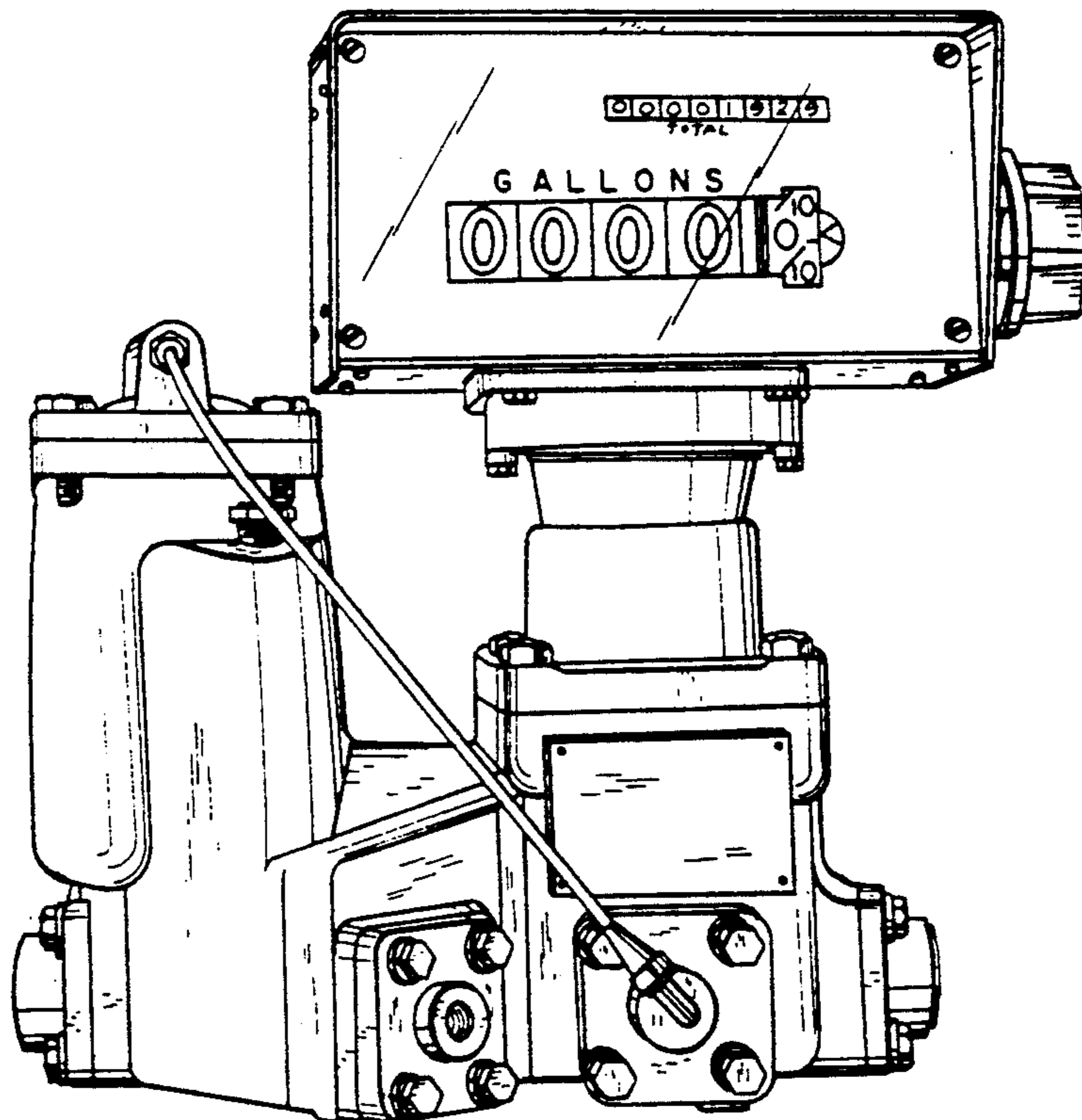


Fig. 1

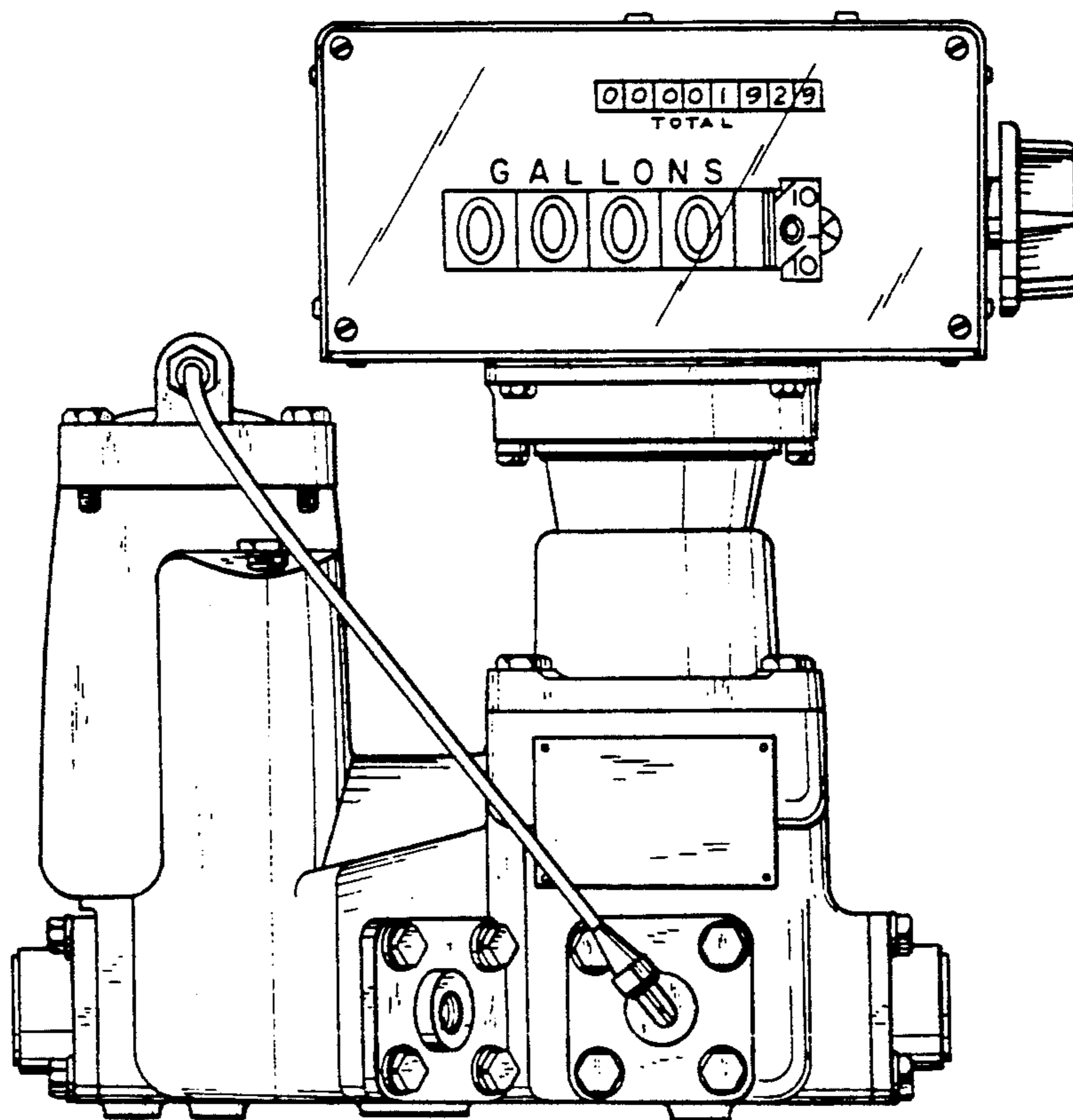
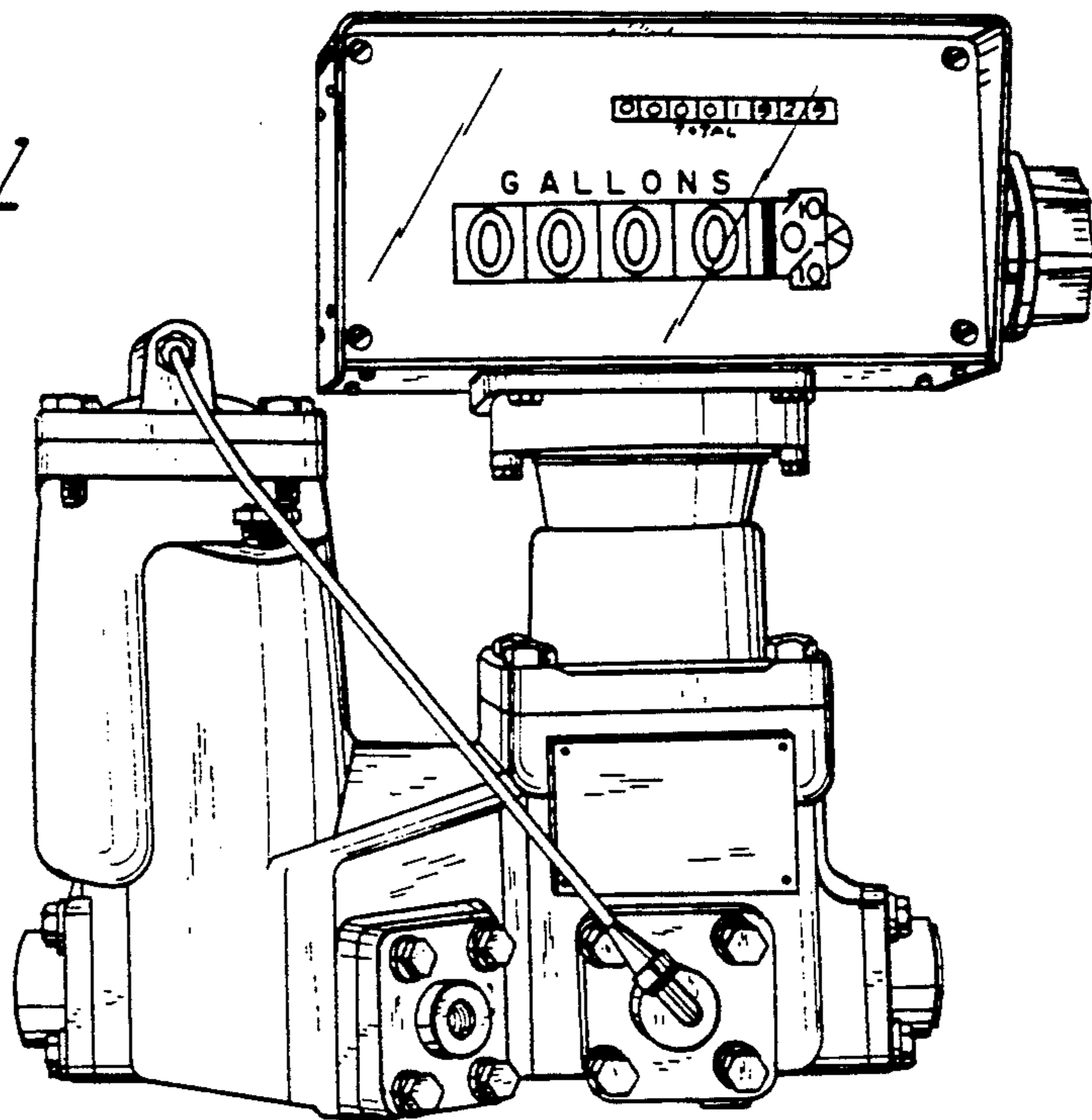


Fig. 2

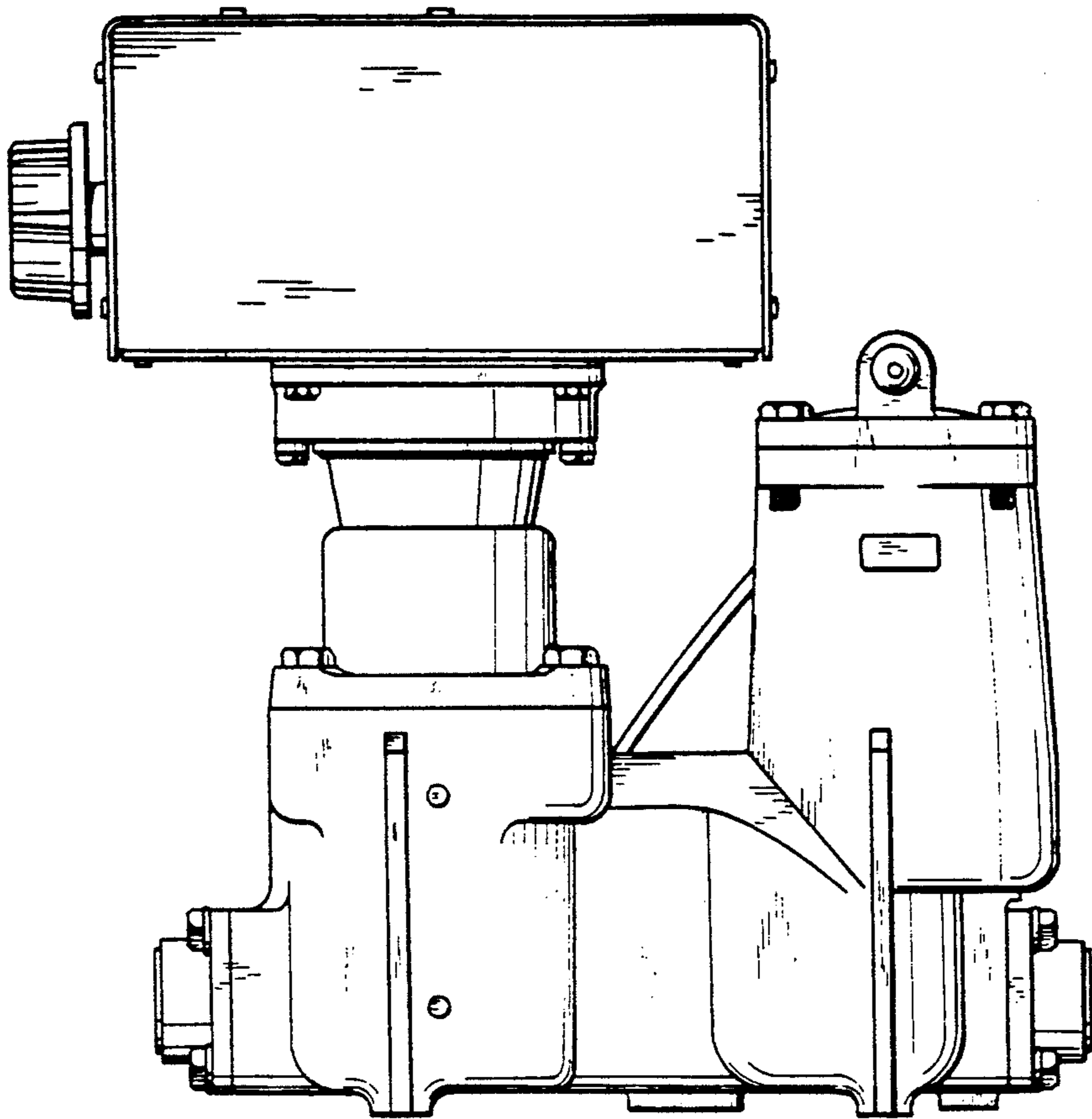


Fig. 3

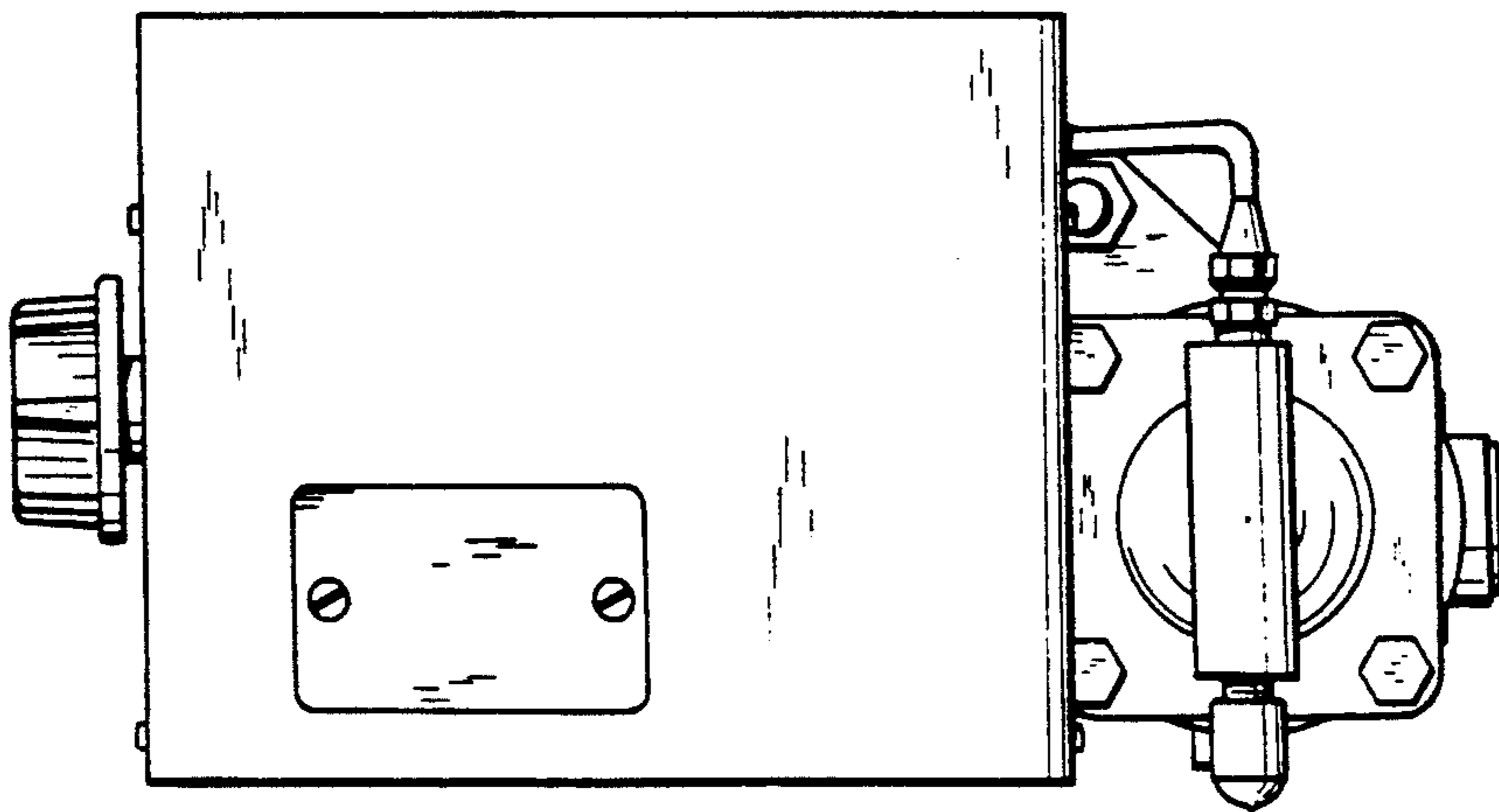


Fig. 4

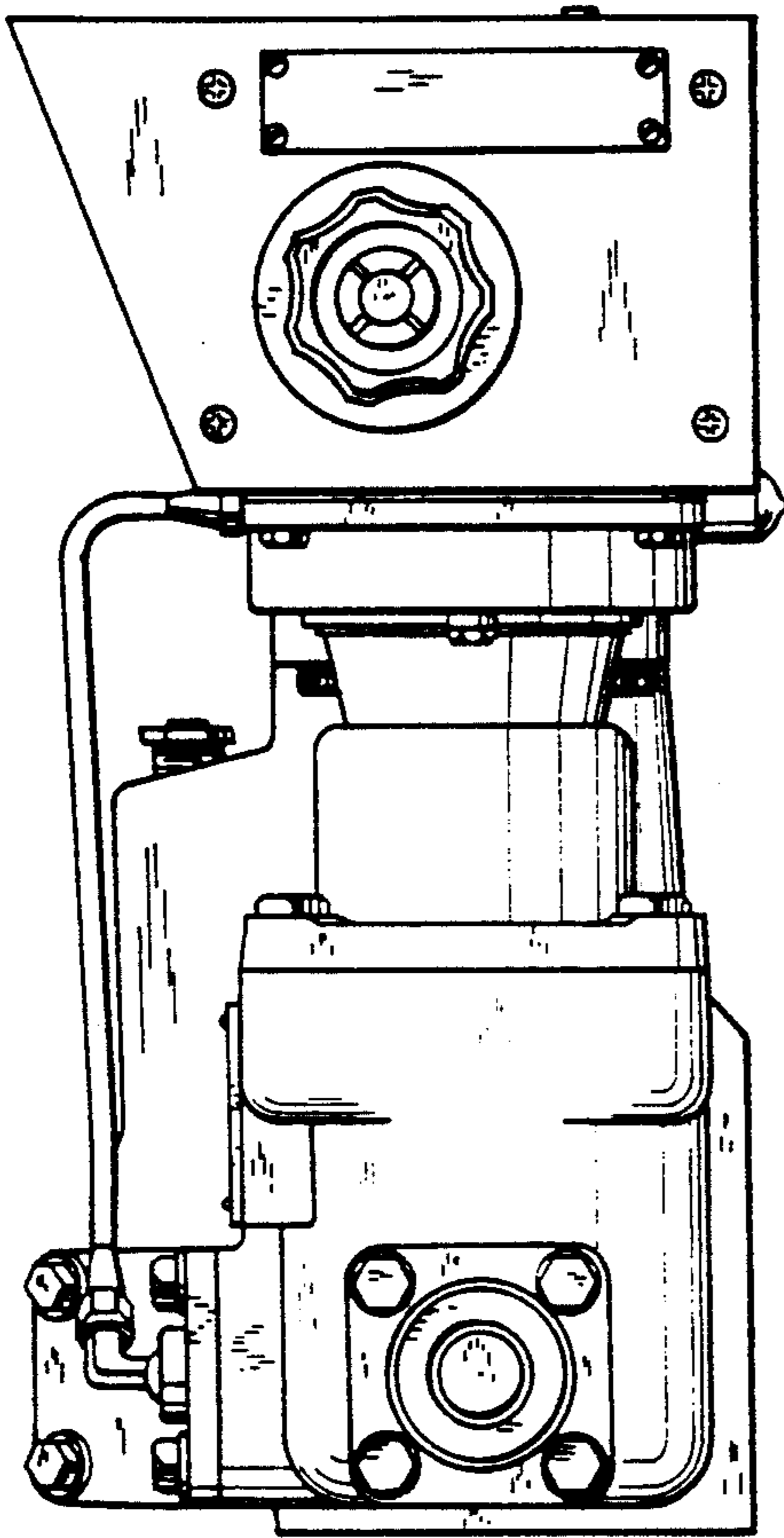


FIG. 5

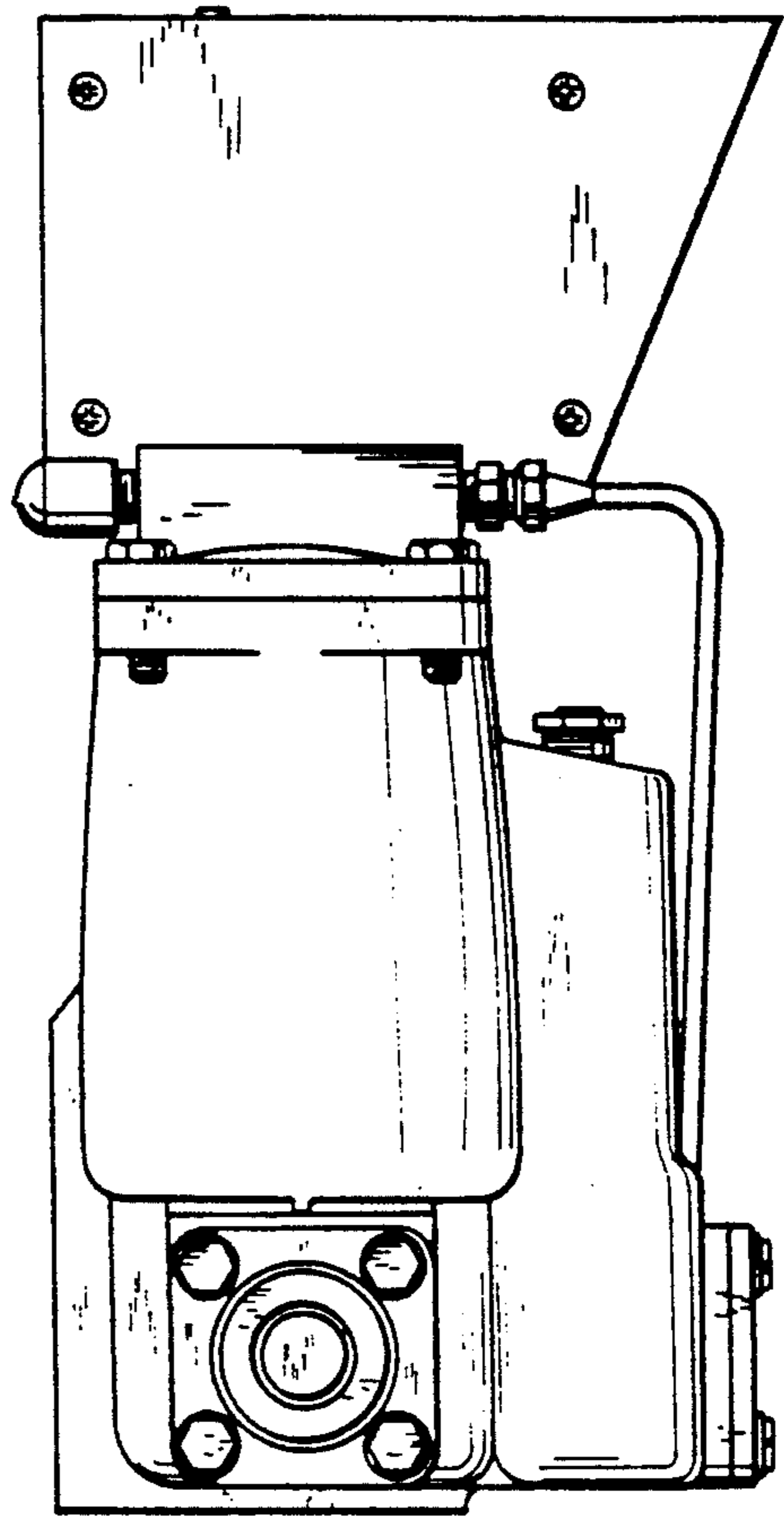


FIG. 6

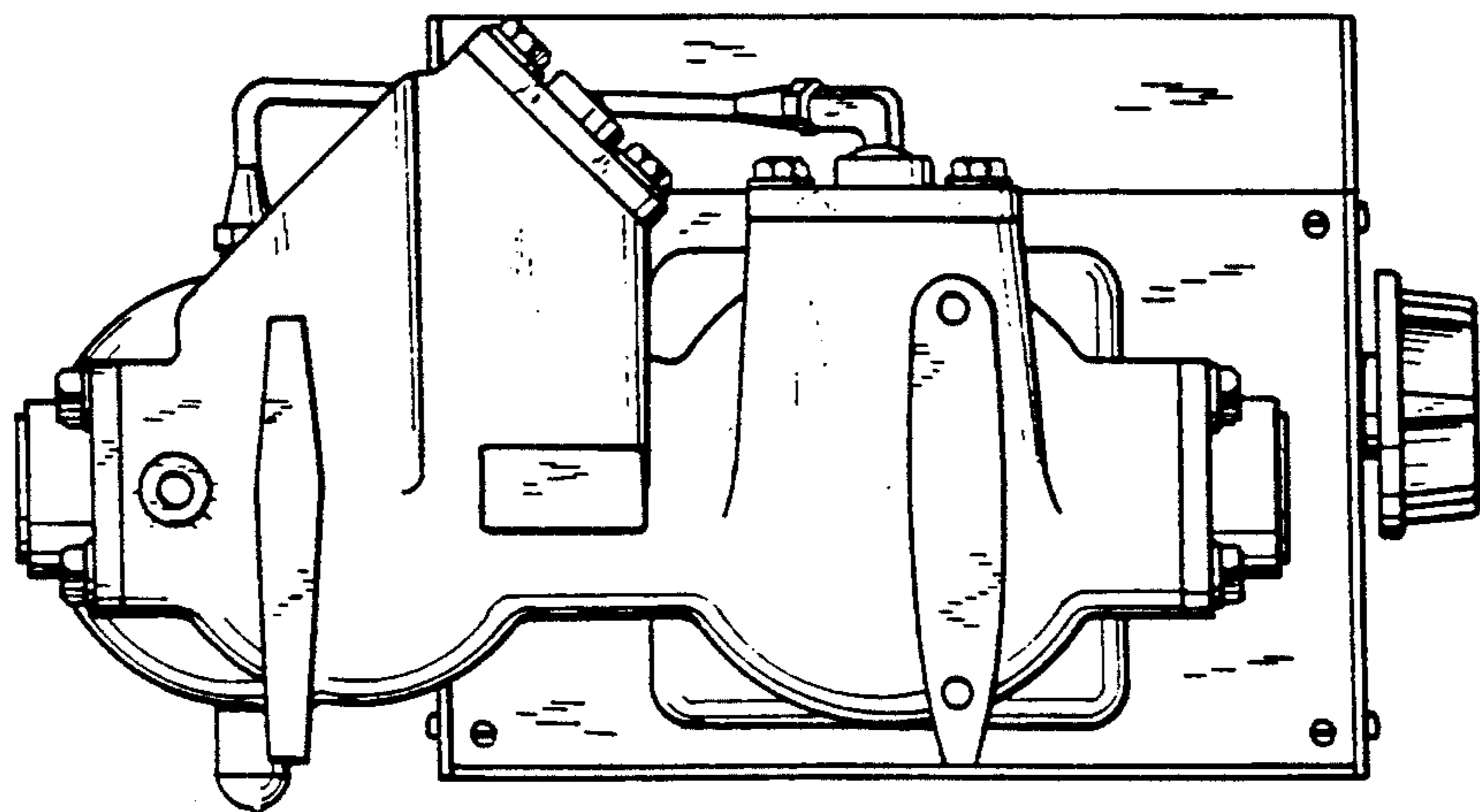


FIG. 7