



US00D340858S

# United States Patent [19]

[11] Patent Number: **Des. 340,858**

Williams

[45] Date of Patent: **\*\* Nov. 2, 1993**

[54] **PROTECTIVE COVERING FOR GARAGE DOOR SPRINGS**

4,403,758 9/1983 Burt ..... 248/49

[76] Inventor: **James J. Williams**, P.O. Box 320, Tamms, Ill. 62988

*Primary Examiner*—B. J. Bullock  
*Assistant Examiner*—Mitchell Siegel  
*Attorney, Agent, or Firm*—S. Michael Bender

[\*\*] Term: **14 Years**

[57] **CLAIM**

[21] Appl. No.: **682,223**

The ornamental design for a protective covering for garage door springs, as shown and described.

[22] Filed: **Apr. 9, 1991**

**DESCRIPTION**

[52] U.S. Cl. .... **D8/499**

[58] Field of Search ..... D8/400, 499; 52/3, 83; 150/154; 428/68, 78, 131; 248/49, 60, 75; 403/300

FIG. 1 is a front elevational view of the protective covering for garage door springs showing my new design;

FIG. 2 is a rear elevational view thereof;

FIG. 3 is an enlarged left end view thereof;

FIG. 4 is a right end view of FIG. 3;

FIG. 5 is a top plan view of FIG. 1;

FIG. 6 is a bottom plan view of FIG. 1; and,

FIG. 7 is a perspective view of FIG. 1.

The broken line showing of a spring in FIG. 7 is for illustrative purposes only and forms no part of the claimed design.

[56] **References Cited**

**U.S. PATENT DOCUMENTS**

D. 260,600	9/1981	Taylor	.....	D8/356
D. 282,903	3/1986	Baker	.....	D8/356
2,881,804	4/1959	Bub et al.	.....	248/49
3,819,137	6/1974	Smith	.....	248/49
4,242,829	1/1981	Arnström et al.	.....	403/300 X

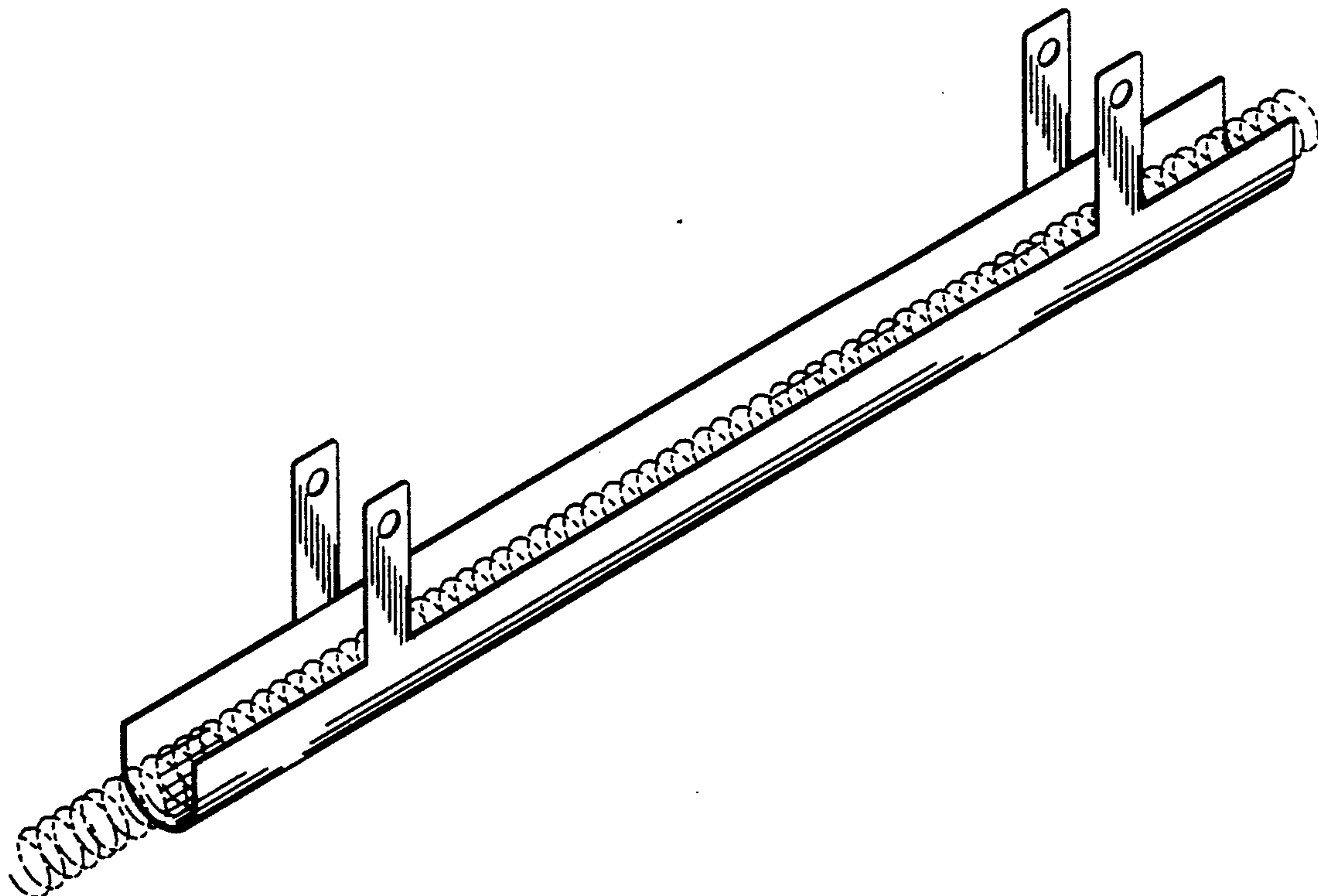


FIG. 1

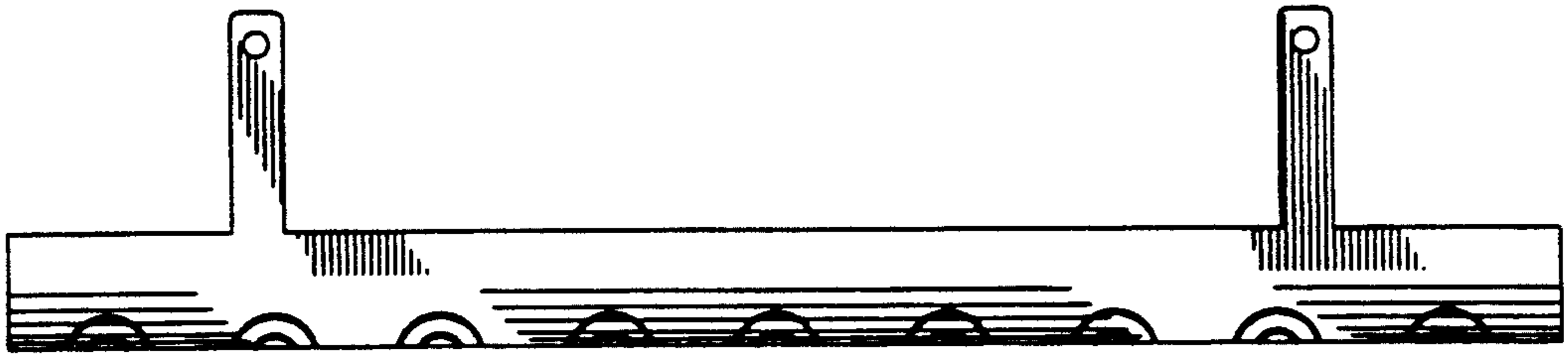
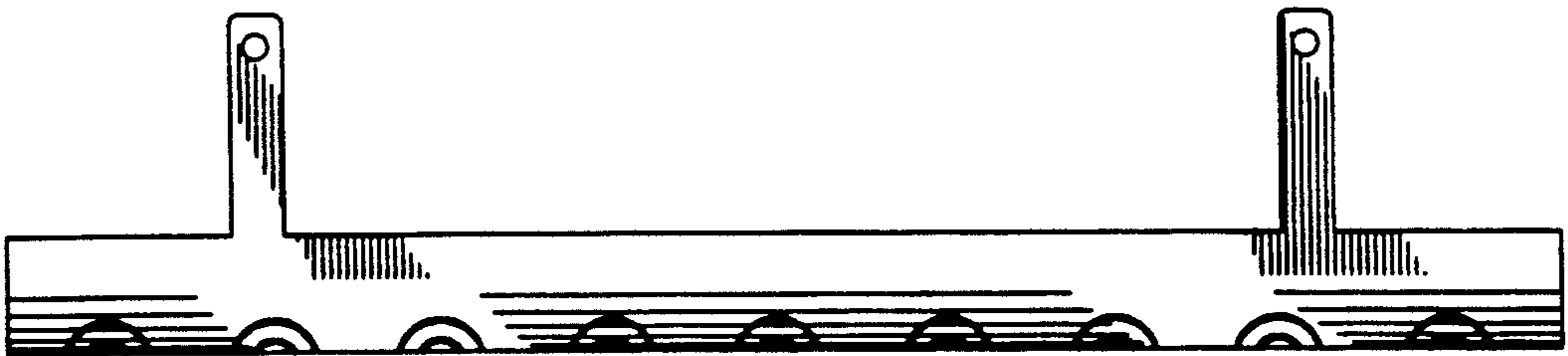
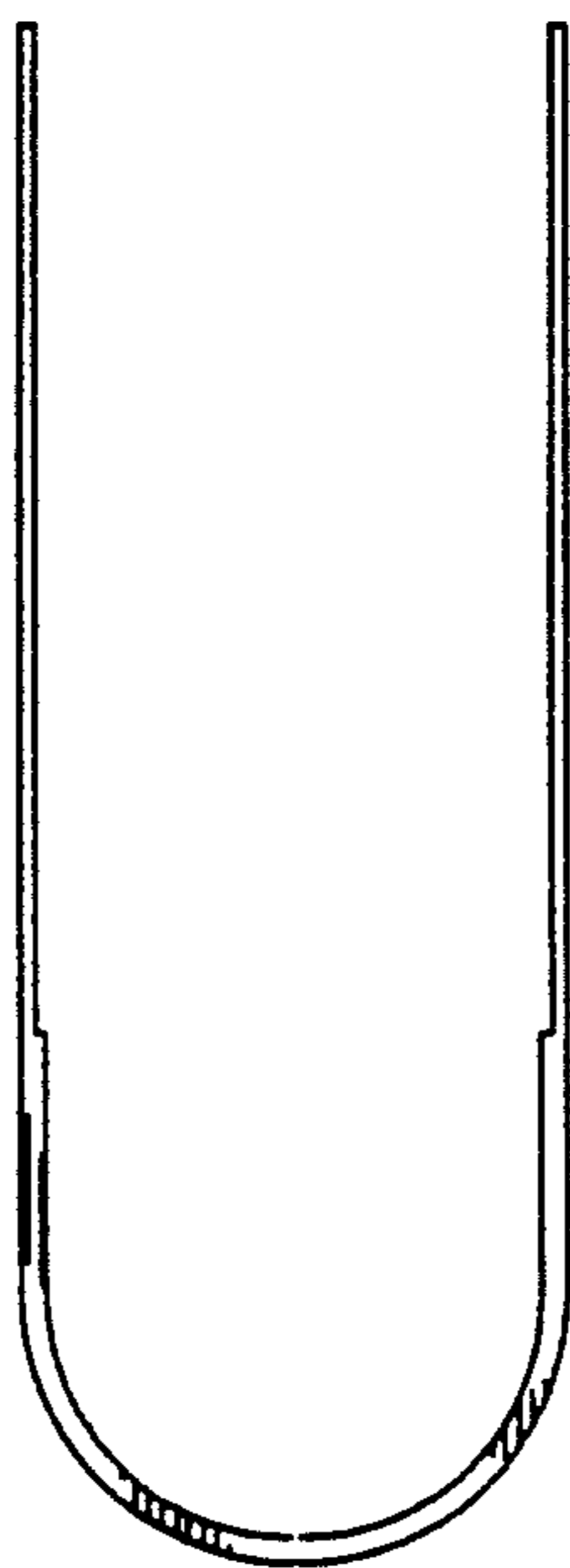


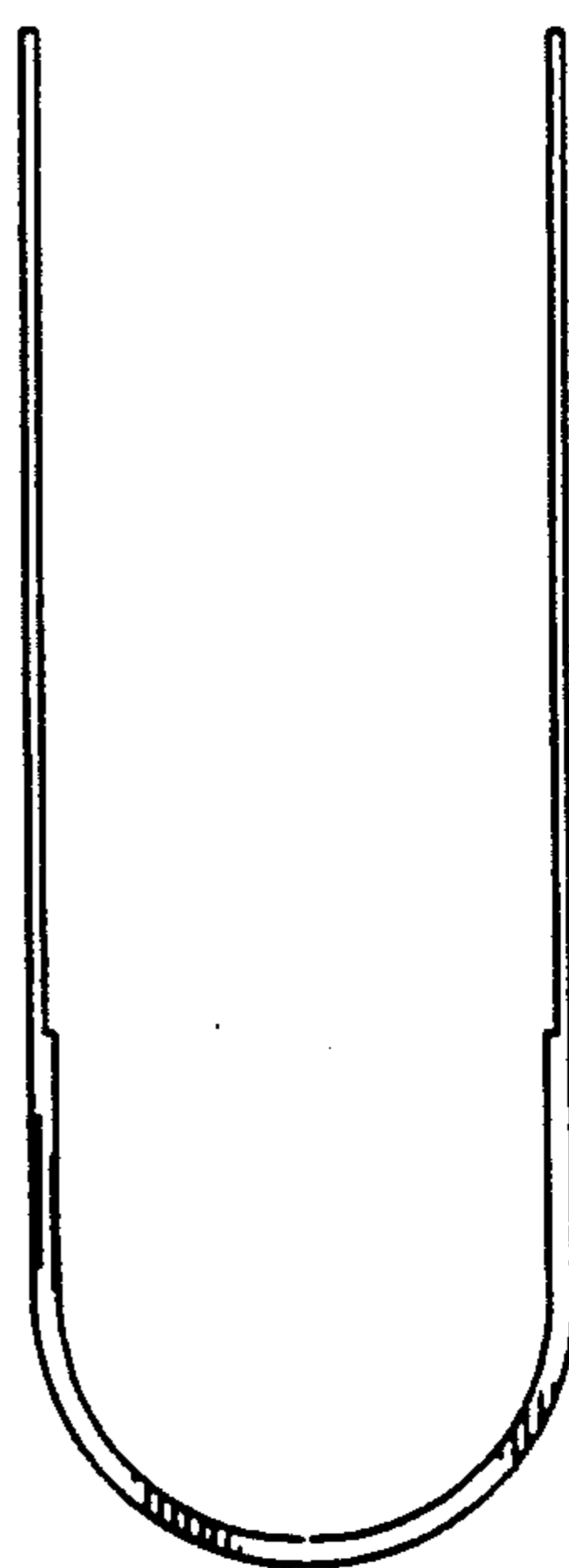
FIG. 2



*FIG. 3*



*FIG. 4*



*FIG. 5*



*FIG. 6*



FIG. 7

