



US00D340856S

United States Patent [19]

[11] Patent Number: **Des. 340,856**

McHugh

[45] Date of Patent: **** Nov. 2, 1993**

[54] TRUSS SPACER

4,490,956 1/1985 Palacio et al. 52/639

[76] Inventor: **Jon McHugh, R.D. #1, Box 52,
Great Bend, Pa. 18821**

Primary Examiner—Wallace R. Burke
Assistant Examiner—H. Baynham
Attorney, Agent, or Firm—Salzman & Levy

[**] Term: **14 Years**

[57] **CLAIM**

[21] Appl. No.: **691,594**

The ornamental design for a truss spacer, as shown and described.

[22] Filed: **Apr. 25, 1991**

[52] U.S. Cl. **D8/354**

[58] Field of Search **D8/354, 373, 380;
52/639**

DESCRIPTION

FIG. 1 is a perspective view of a truss spacer, showing my new design;

FIG. 2 is a side elevational view thereof, with the opposite view being a mirror image thereof;

FIG. 3 is a top plan view thereof;

FIG. 4 is a front elevational view thereof;

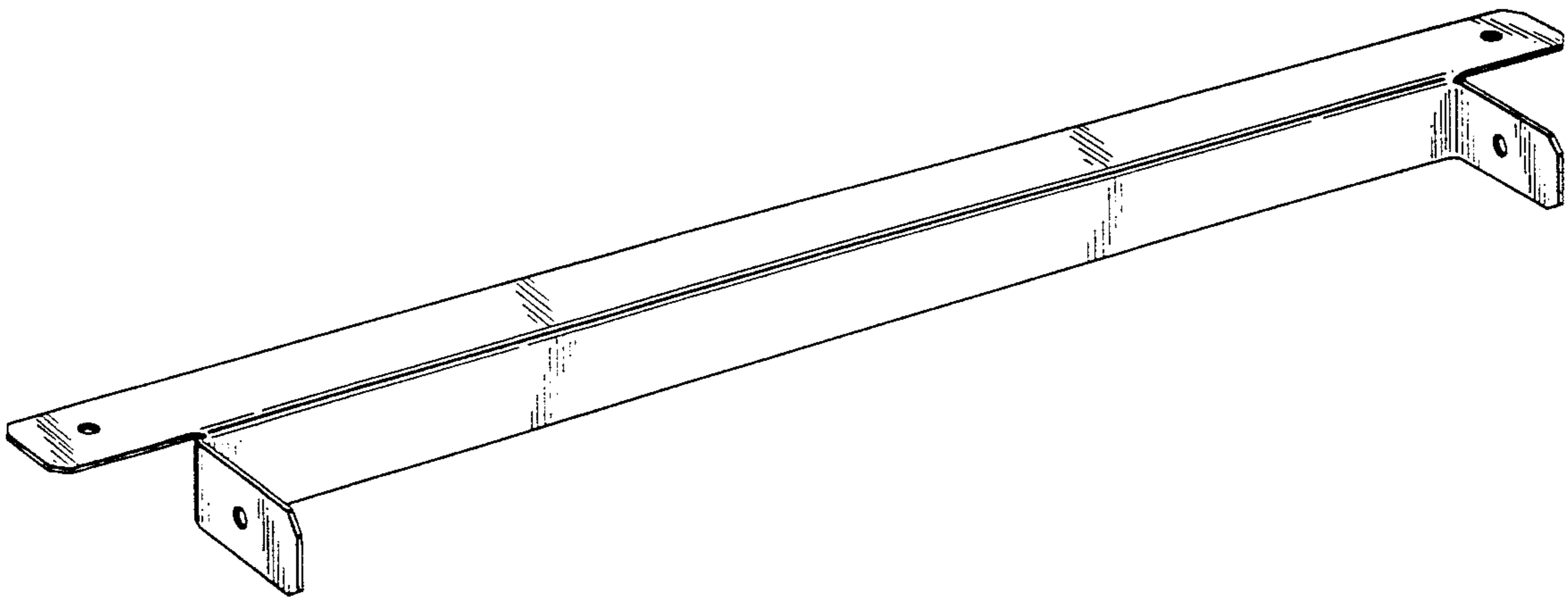
FIG. 5 is a rear elevational view thereof; and,

FIG. 6 is a bottom plan view thereof.

[56] **References Cited**

U.S. PATENT DOCUMENTS

- D. 267,775 2/1983 Holcombe D8/354 X
- D. 272,886 3/1984 Holcombe D8/354 X
- 4,288,961 9/1981 Snow, Jr. et al. 52/639 X



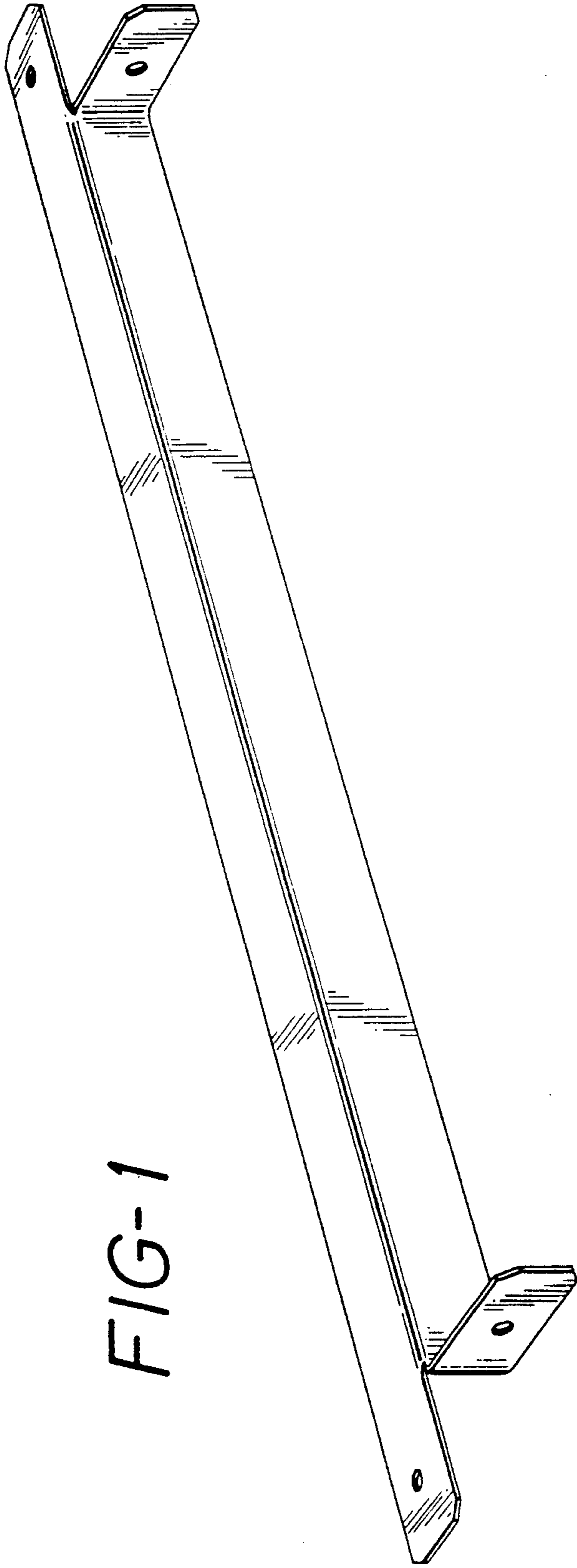


FIG-1

FIG-2

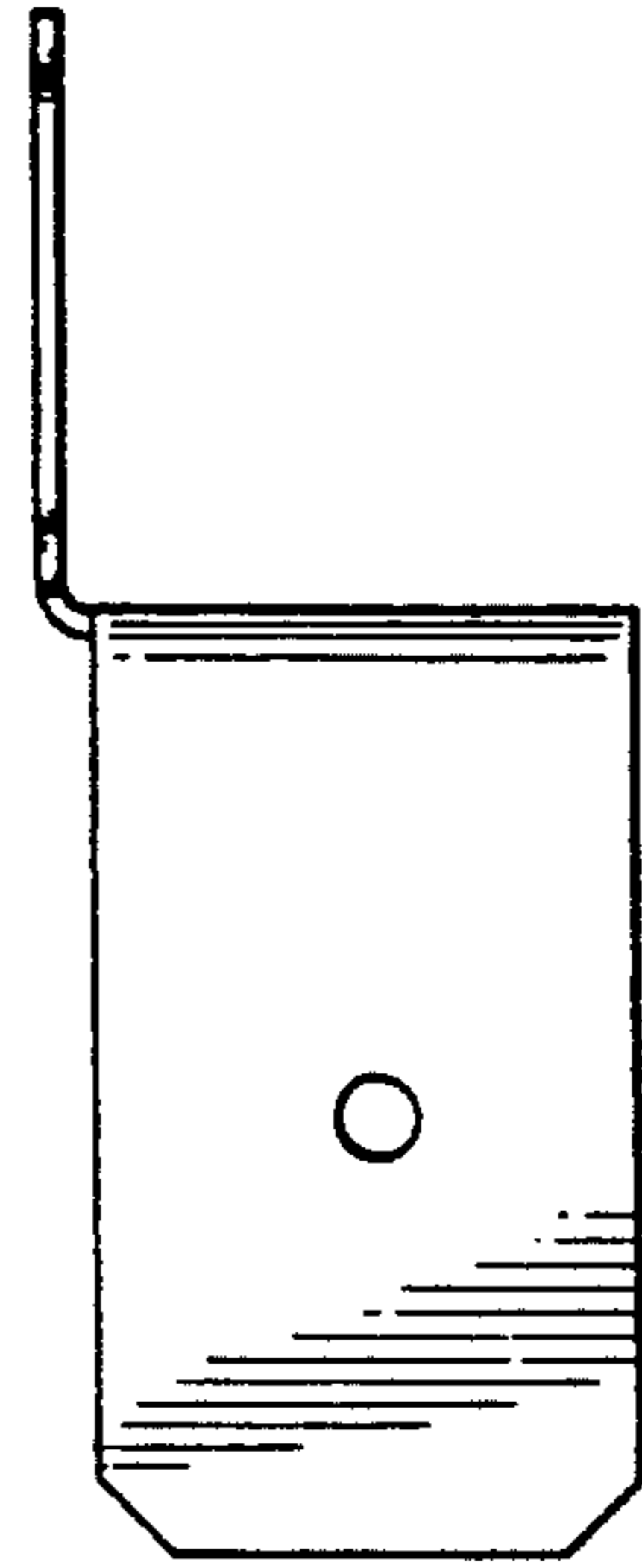


FIG-3

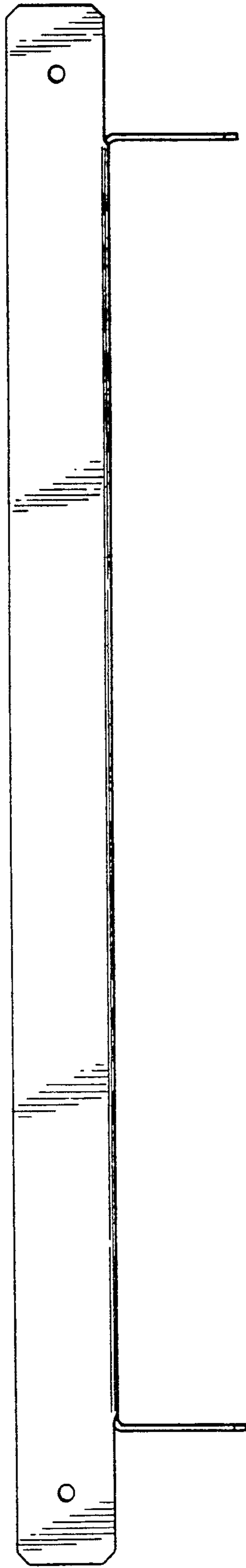


FIG-4

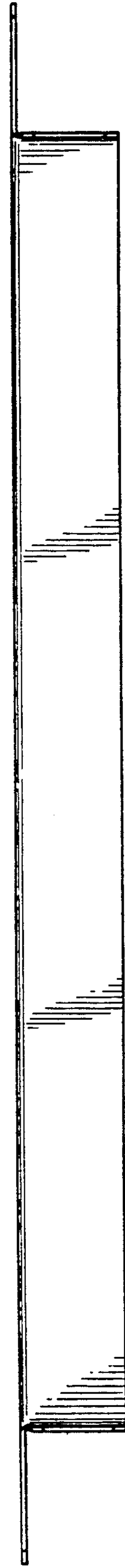


FIG-5

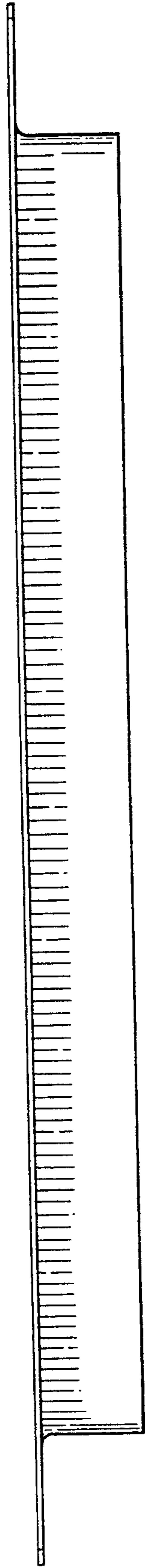


FIG-6

