



US00D340854S

United States Patent [19]

[11] Patent Number: **Des. 340,854**

Shimoharaguchi

[45] Date of Patent: **** Nov. 2, 1993**

[54] **PAIR OF SCISSORS**

[75] Inventor: **Yoshiki Shimoharaguchi, Osaka, Japan**

[73] Assignee: **Clover Mfg. Co., Ltd., Osaka, Japan**

[**] Term: **14 Years**

[21] Appl. No.: **858,763**

[22] Filed: **Mar. 27, 1992**

[30] **Foreign Application Priority Data**

Oct. 3, 1991 [JP] Japan 3-29960

[52] U.S. Cl. **D8/98; D8/51**

[58] Field of Search **D8/57, 98, 51, 52; D3/18; D24/148, 153; 30/124, 253, 255, 261**

[56] **References Cited**

U.S. PATENT DOCUMENTS

- D. 250,629 12/1978 Bäckström et al. D8/57
- D. 255,763 7/1980 Ferguson D8/57

- D. 258,798 4/1981 Ferguson D8/57
- D. 264,018 4/1982 Gingher, Jr. D8/5
- 2,512,862 6/1950 Ingwer 30/261
- 2,524,653 10/1950 Dalley 30/261
- 4,089,113 5/1978 Moritz et al. 30/253

Primary Examiner—Bernard Ansher
Assistant Examiner—P. Hyder
Attorney, Agent, or Firm—William H. Eilberg

[57] **CLAIM**

The ornamental design for a pair of scissors, as shown.

DESCRIPTION

FIG. 1 is a perspective view of a pair of scissors showing my new design;
FIG. 2 is a front elevational view thereof;
FIG. 3 is a left side view of the scissors;
FIG. 4 is a right side view of the scissors;
FIG. 5 is a rear elevational view of the scissors;
FIG. 6 is a top plan view of the scissors; and,
FIG. 7 is a bottom view of the scissors.

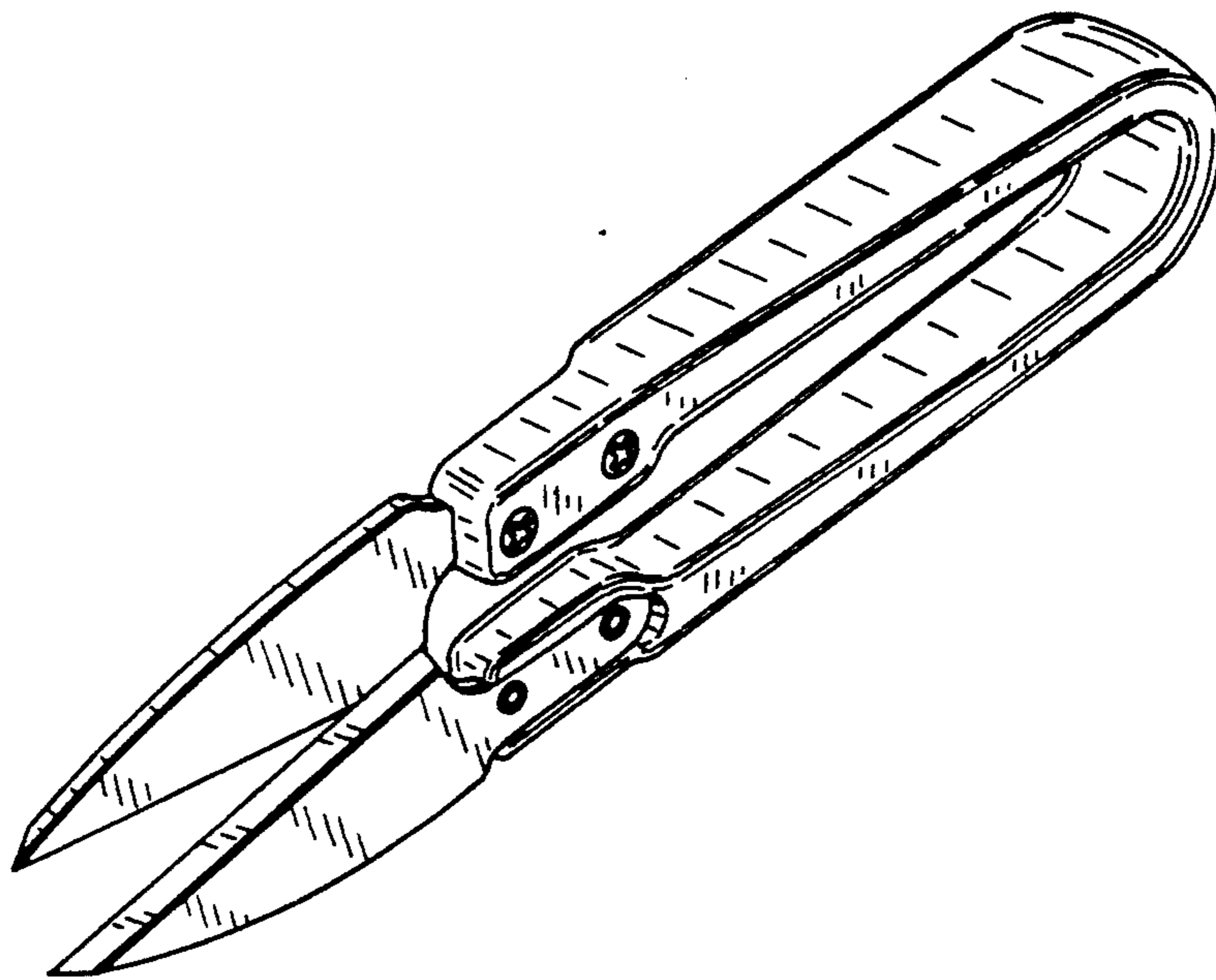


Fig. 1

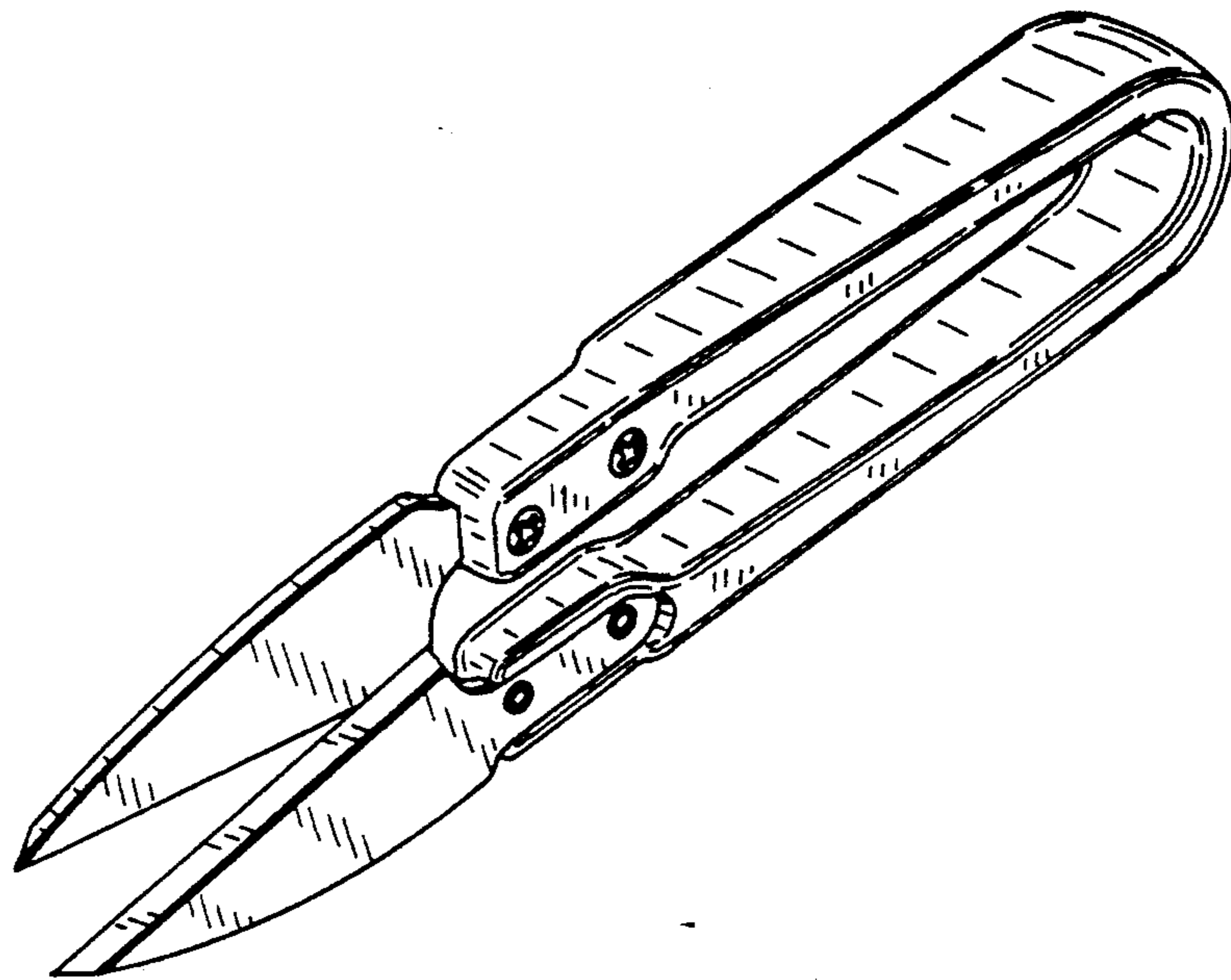


Fig. 2

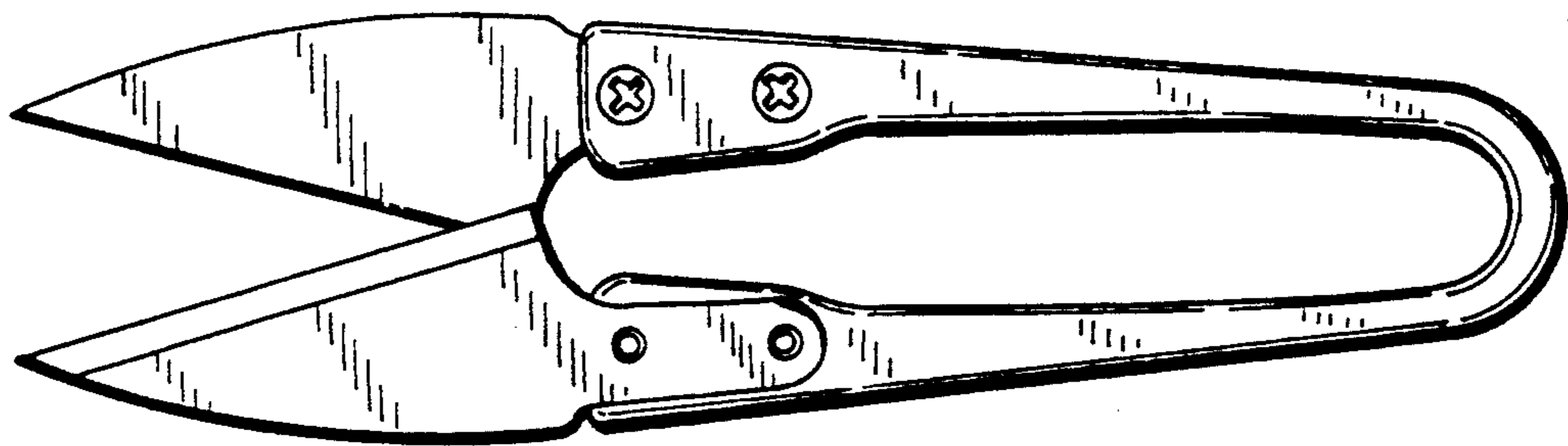


Fig. 3



Fig. 4

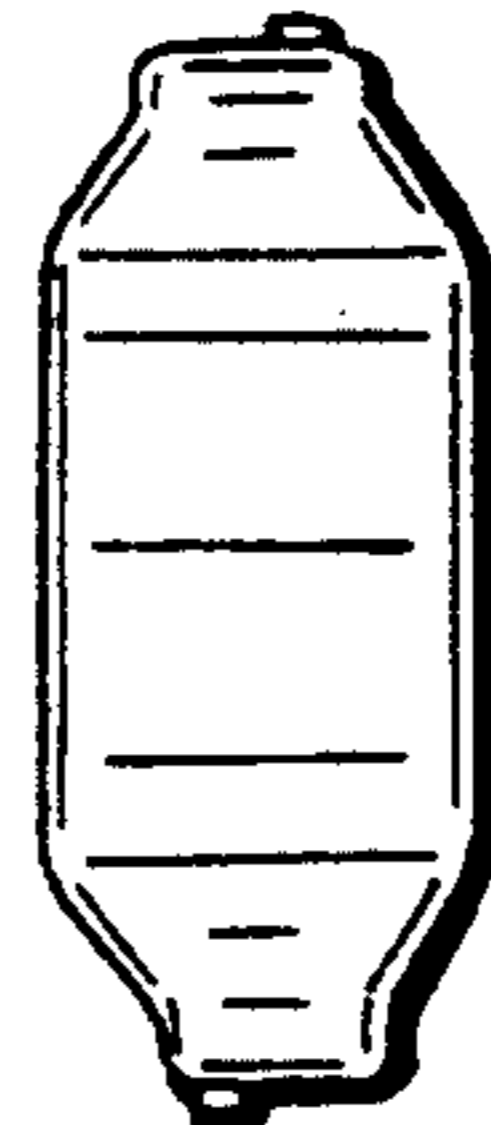


Fig. 5

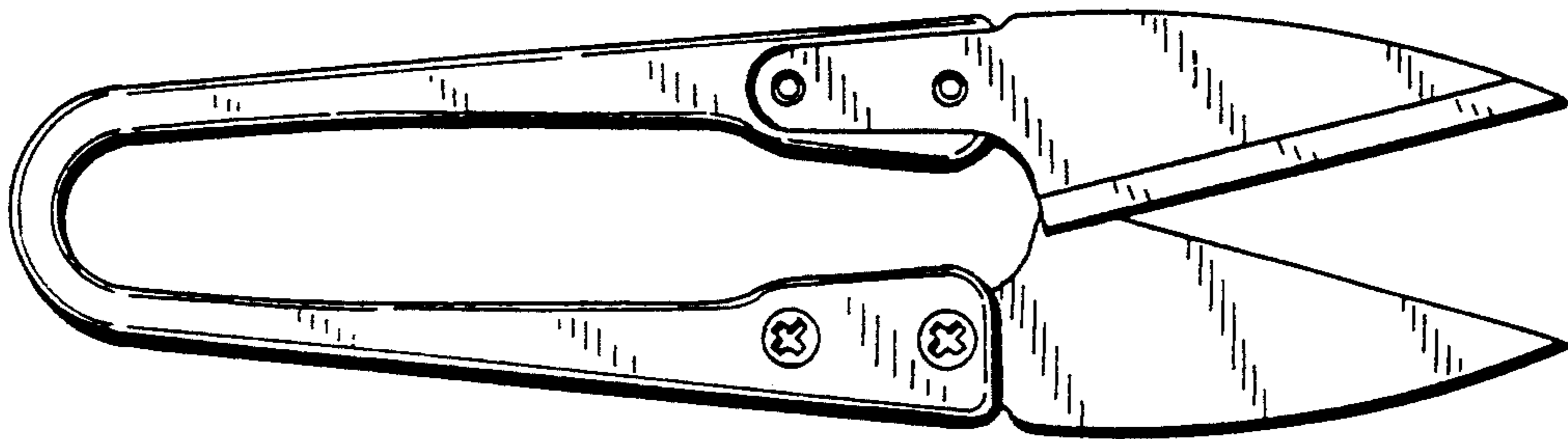


Fig. 6

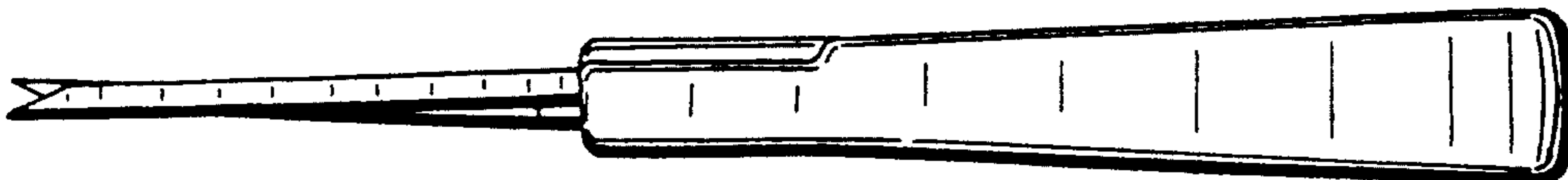


Fig. 7

