



US00D340852S

United States Patent [19]

[11] Patent Number: **Des. 340,852**

Sanders et al.

[45] Date of Patent: **** Nov. 2, 1993**

[54] **TENT STAKE PULLING TOOL**

[76] Inventors: **Richard A. Sanders**, Rte. 6, Box 95F;
Thomas G. Wolff, 2100 Fullview,
both of Ada, Okla. 74820; **E. Don
Ramsey**, Rte. 1, Box 247, Konawa,
Okla. 74849; **Bobby R. Carter**, Rte. 3,
Box 290 R, Ada, Okla. 74820

1,570,192	1/1926	Younick	D8/89
2,926,890	3/1960	Majors	254/132
3,867,733	2/1975	Verlander	254/132
4,112,530	9/1978	Lecce et al.	254/132
4,198,719	4/1980	Feldpausch	7/146

[**] Term: **14 Years**

Primary Examiner—Bernard Ansher
Assistant Examiner—P. Hyder
Attorney, Agent, or Firm—Robert K. Rhea

[21] Appl. No.: **890,469**

[57] **CLAIM**

[22] Filed: **Jun. 1, 1992**

The ornamental design for a tent stake pulling tool, as shown.

[52] U.S. Cl. **D8/88**

DESCRIPTION

[58] Field of Search D8/14, 88, 89; 254/30,
254/131, 132; 294/29, 30, 32, 33

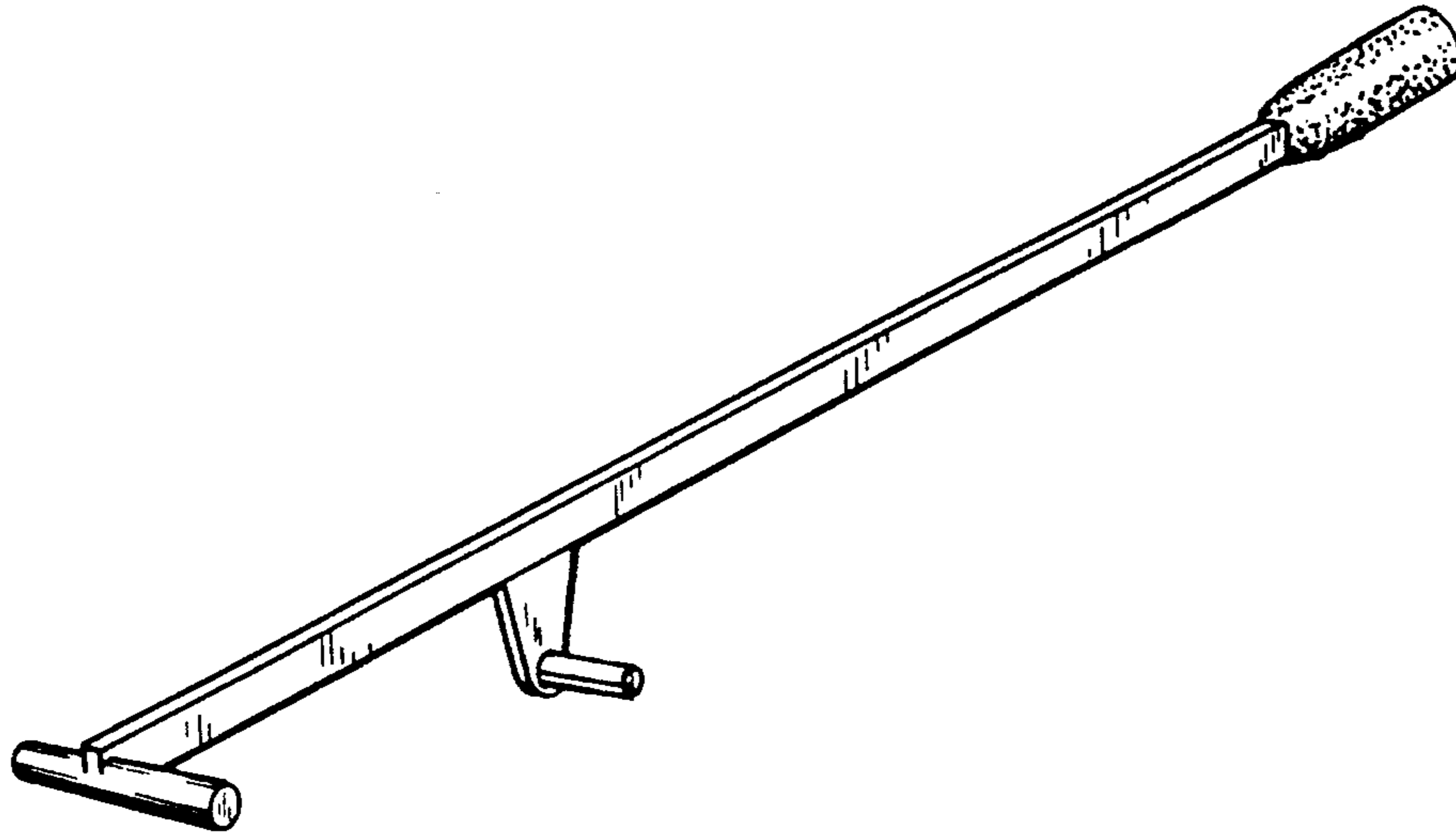
FIG. 1 is a perspective view of a tent stake pulling tool showing our new design;

[56] **References Cited**

U.S. PATENT DOCUMENTS

D. 199,019	8/1964	Marson	D8/89
D. 277,359	1/1985	Schiller	D8/89
D. 300,901	5/1989	Lapelusa	D8/88

FIG. 2 is a left side elevational view thereof;
FIG. 3 is a right side elevational view thereof;
FIG. 4 is a top plan view thereof;
FIG. 5 is a bottom plan view thereof;
FIG. 6 is a front end view thereof; and,
FIG. 7 is a rear end view thereof.



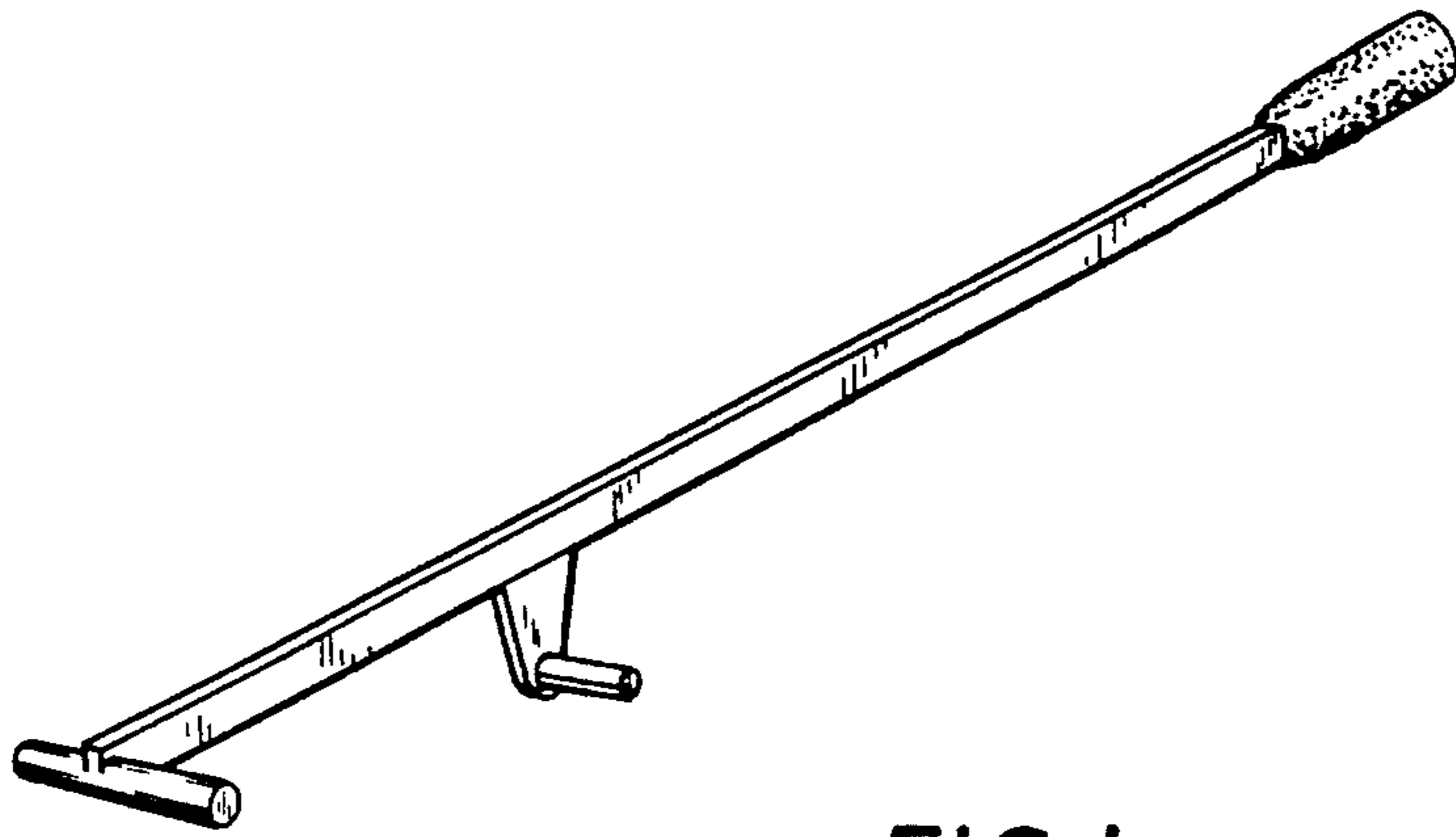


FIG. 1

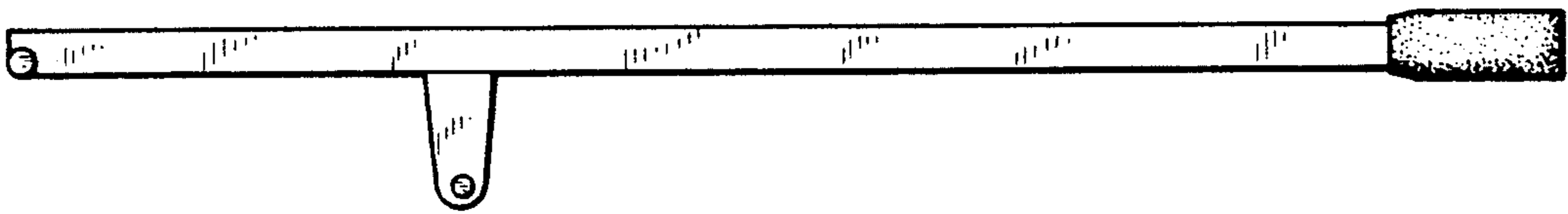


FIG. 2

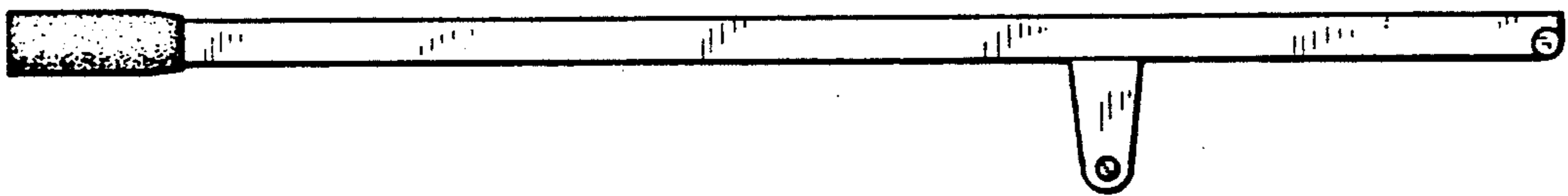


FIG. 3

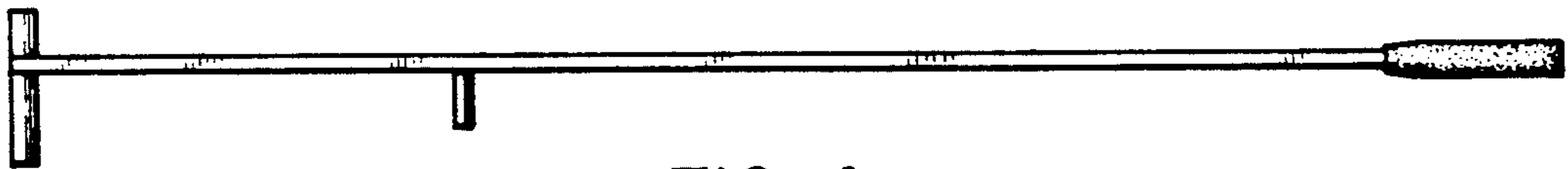


FIG. 4



FIG. 5

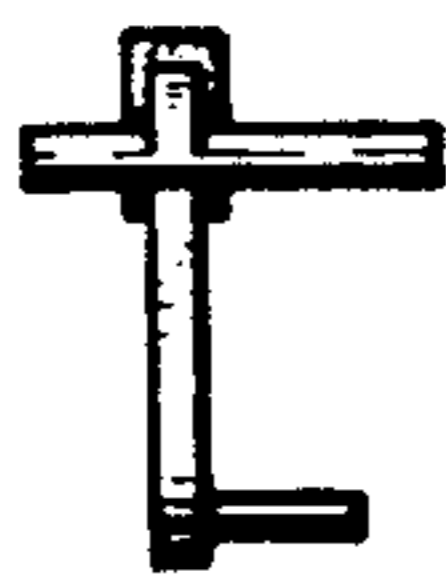


FIG. 6



FIG. 7