



US00D340851S

United States Patent [19]

[11] Patent Number: **Des. 340,851**

Sorensen

[45] Date of Patent: **** Nov. 2, 1993**

[54] **PROTECTIVE PAD FOR THE JAWS OF A CLAMP**

Primary Examiner—Ruth McInroy
Attorney, Agent, or Firm—Lackebach Siegel Marzullo Aronson & Greenspan

[75] Inventor: **Joseph A. Sorensen**, Lincoln, Nebr.

[57] **CLAIM**

[73] Assignee: **Petersen Manufacturing Co., Inc.**, DeWitt, Nebr.

The ornamental design for a protective pad for the jaws of a clamp, as shown.

[**] Term: **14 Years**

DESCRIPTION

[21] Appl. No.: **510,411**

FIG. 1 is a front perspective view of a protective pad for the jaws of a clamp showing my new design; FIG. 2 is a rear elevational view thereof; FIG. 3 is a top plan view thereof; FIG. 4 is a right side elevational view thereof, the left side being a mirror image; FIG. 5 is a front elevational view thereof; FIG. 6 is a bottom plan view thereof; FIG. 7 is a front perspective view of a second embodiment thereof; FIG. 8 is a rear elevational view thereof; FIG. 9 is a top plan view thereof; FIG. 10 is a right side elevational view thereof, the left side being a mirror image; FIG. 11 is a rear elevational view thereof; and, FIG. 12 is a bottom plan view thereof.

[22] Filed: **Apr. 17, 1990**

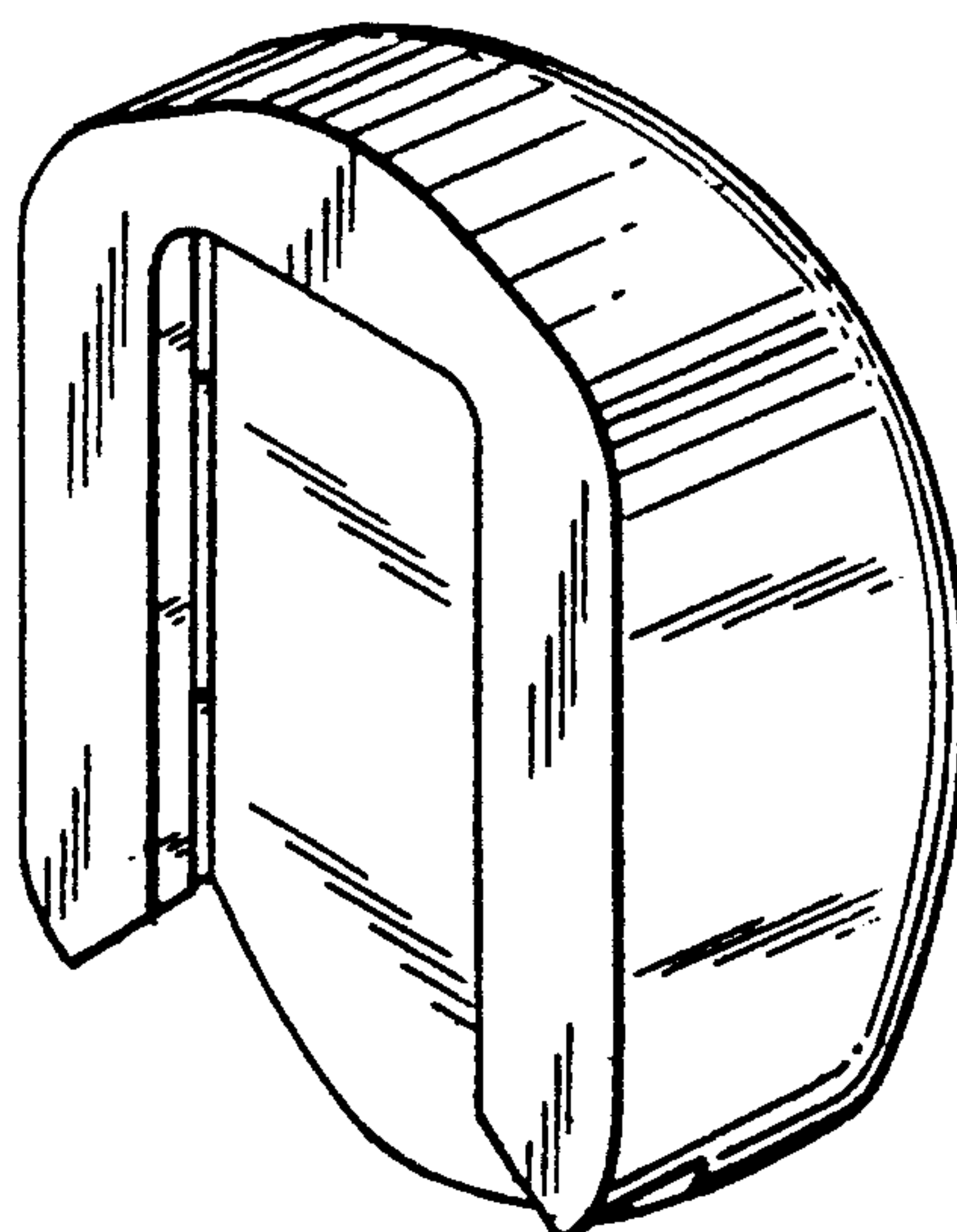
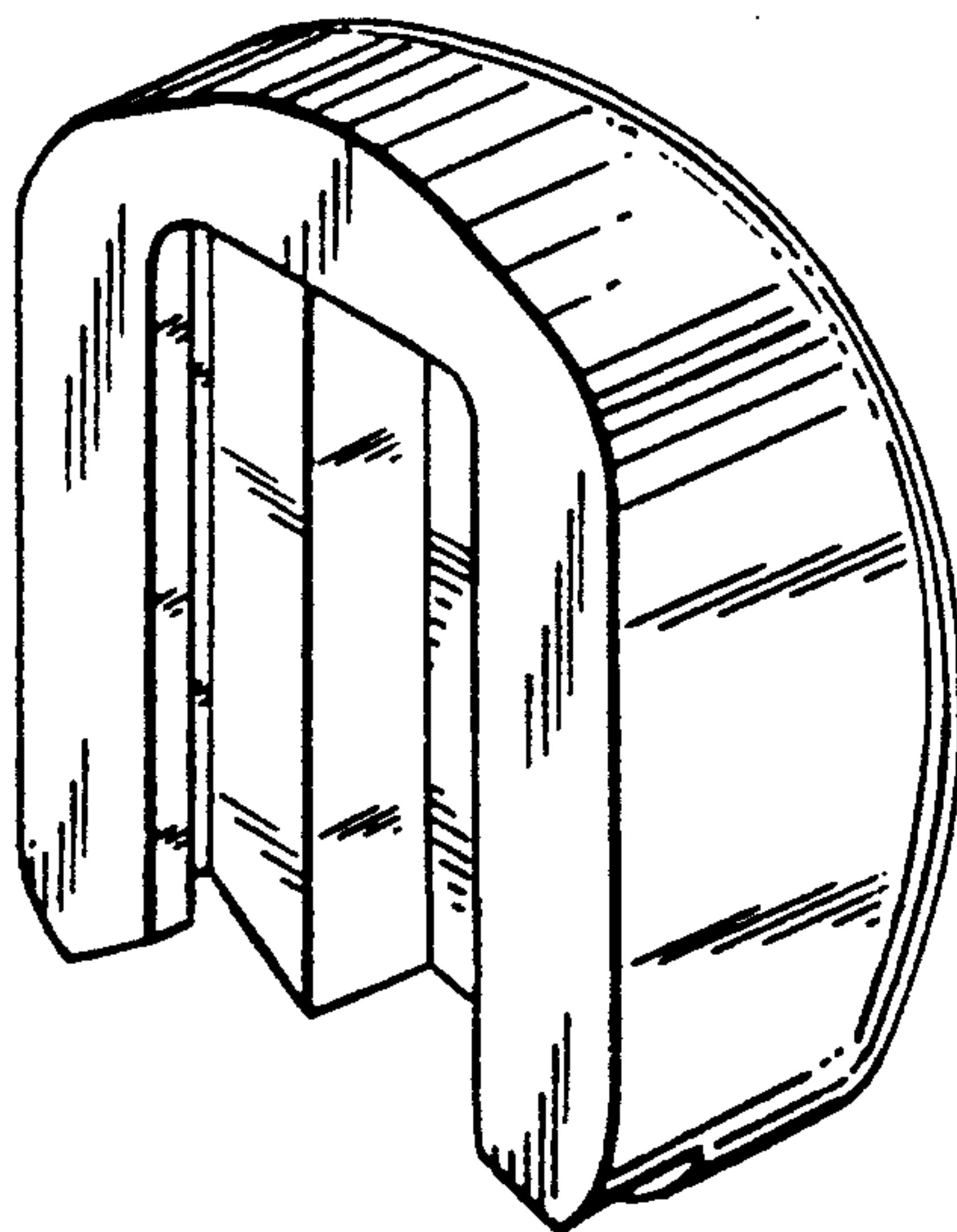
[52] U.S. Cl. **D8/72; D8/499**

[58] Field of Search **D29/20; 2/16, 20; 269/259, 264, 271, 274; 267/136, 141; D8/70, 71, 30, 354, 394, 499**

[56] **References Cited**

U.S. PATENT DOCUMENTS

2,340,316	2/1944	Fest	269/274
2,766,649	10/1956	Labry	269/274
2,778,257	1/1957	Linsley et al.	269/274
2,796,787	6/1957	Aske	269/274
4,252,305	2/1981	Pasch	269/274



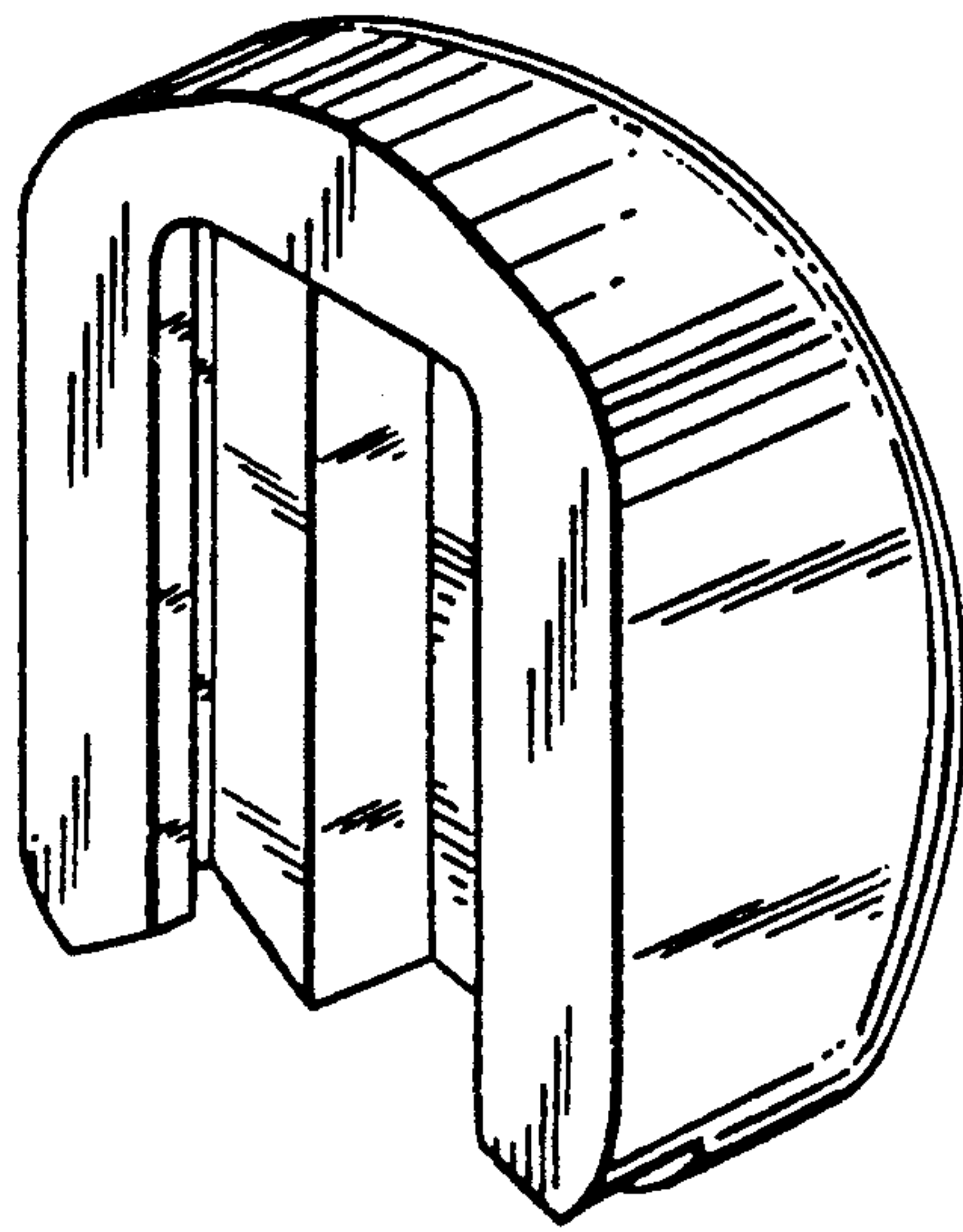


FIG. 1

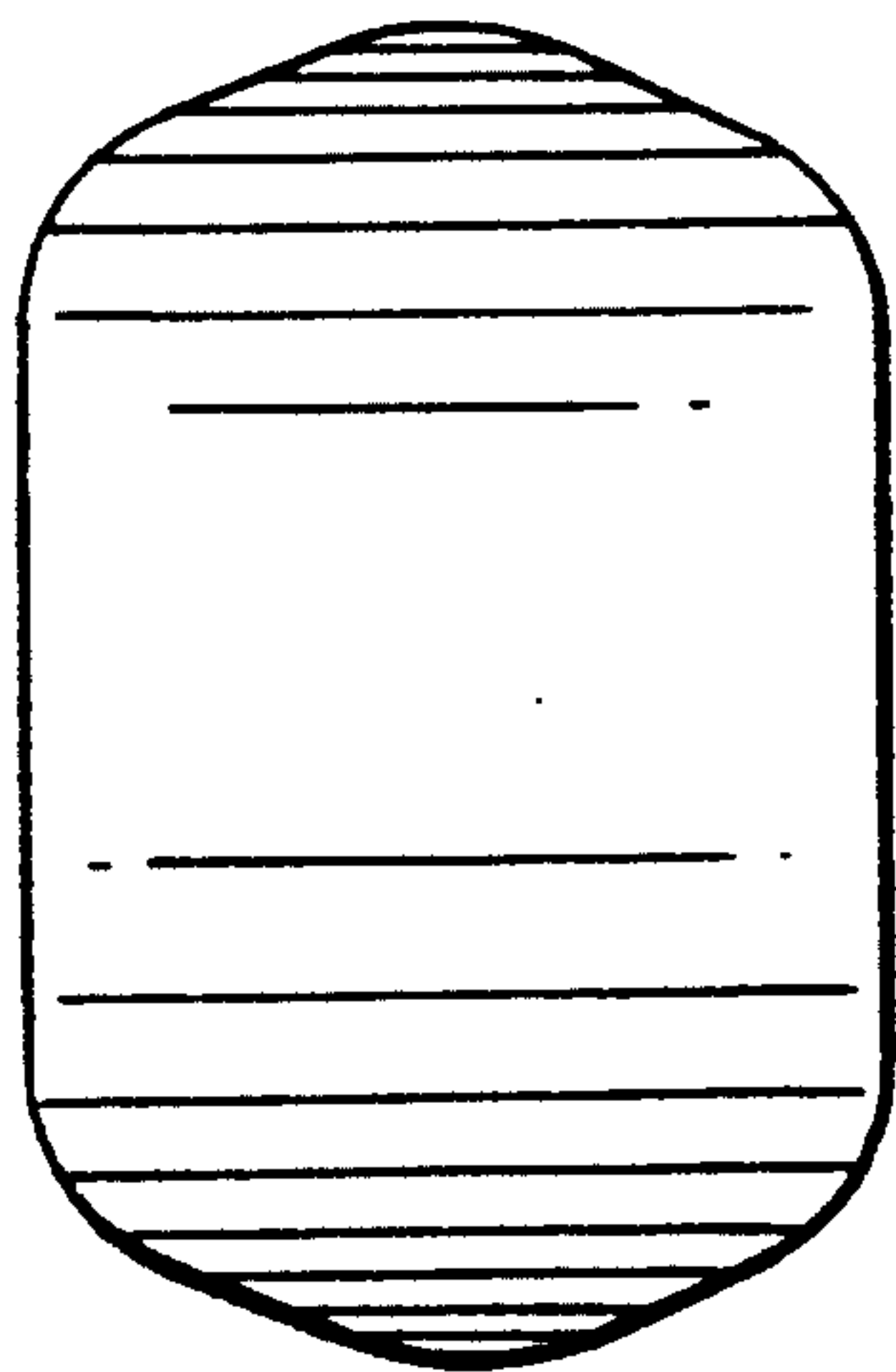


FIG. 2

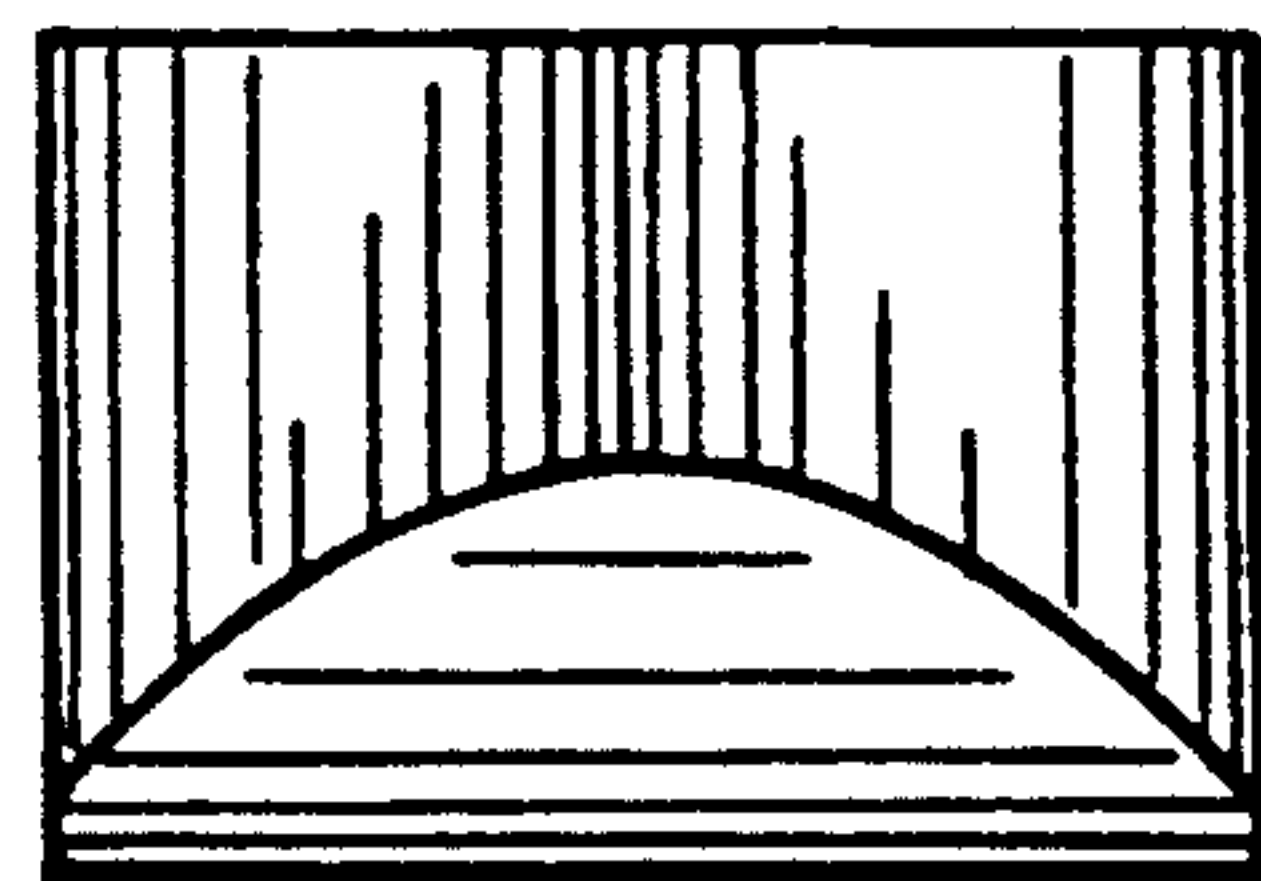


FIG. 3

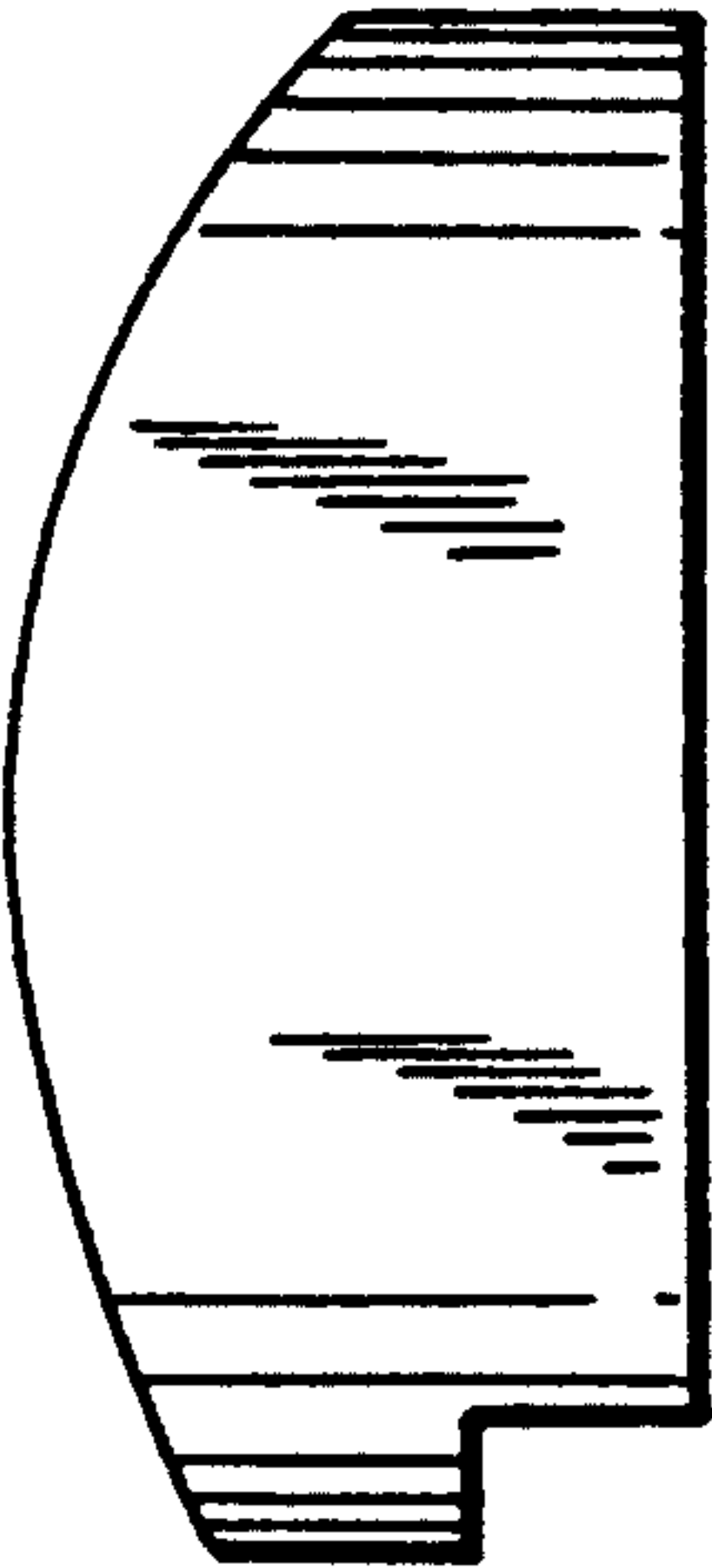


FIG. 4

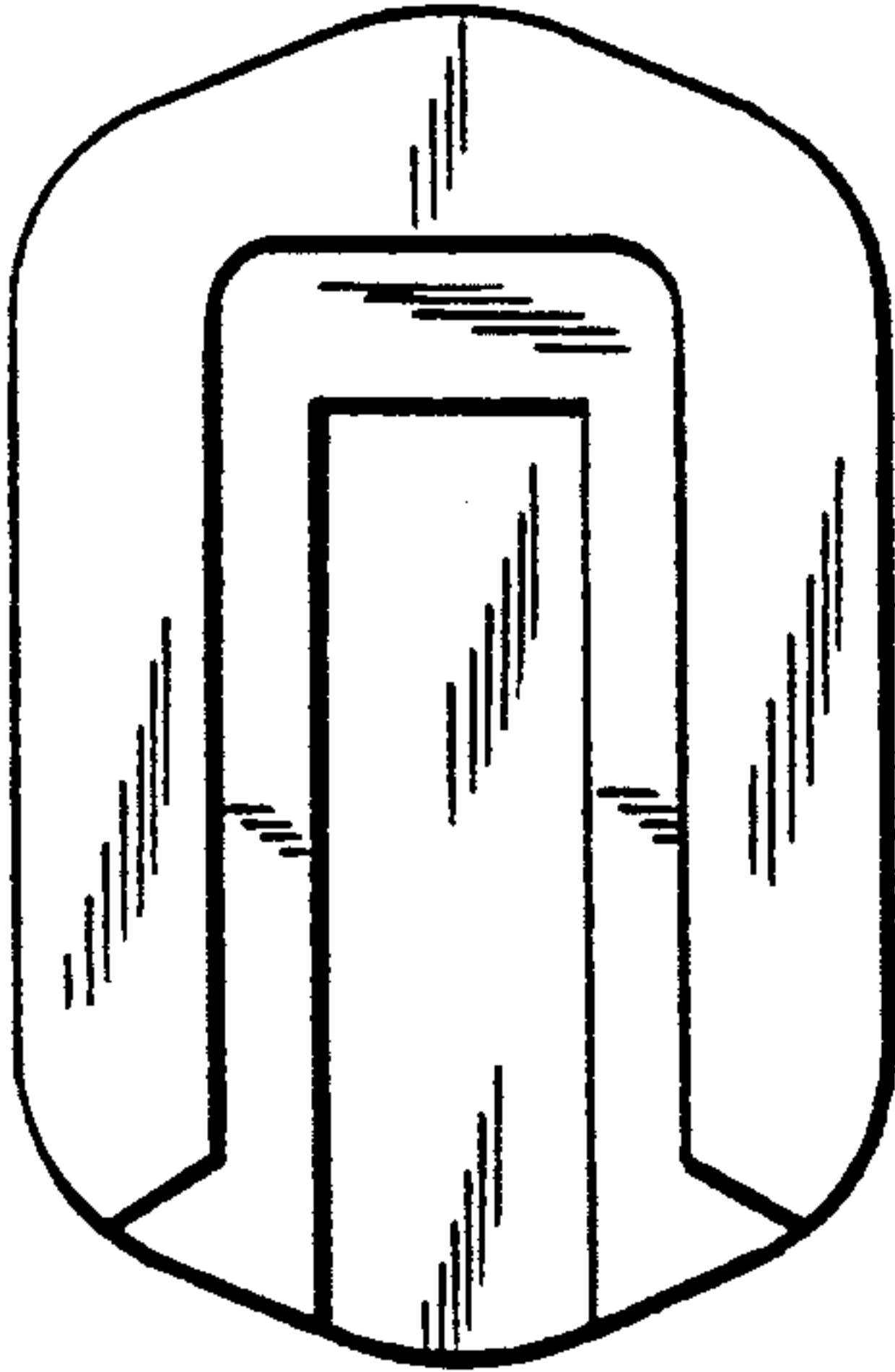


FIG. 5

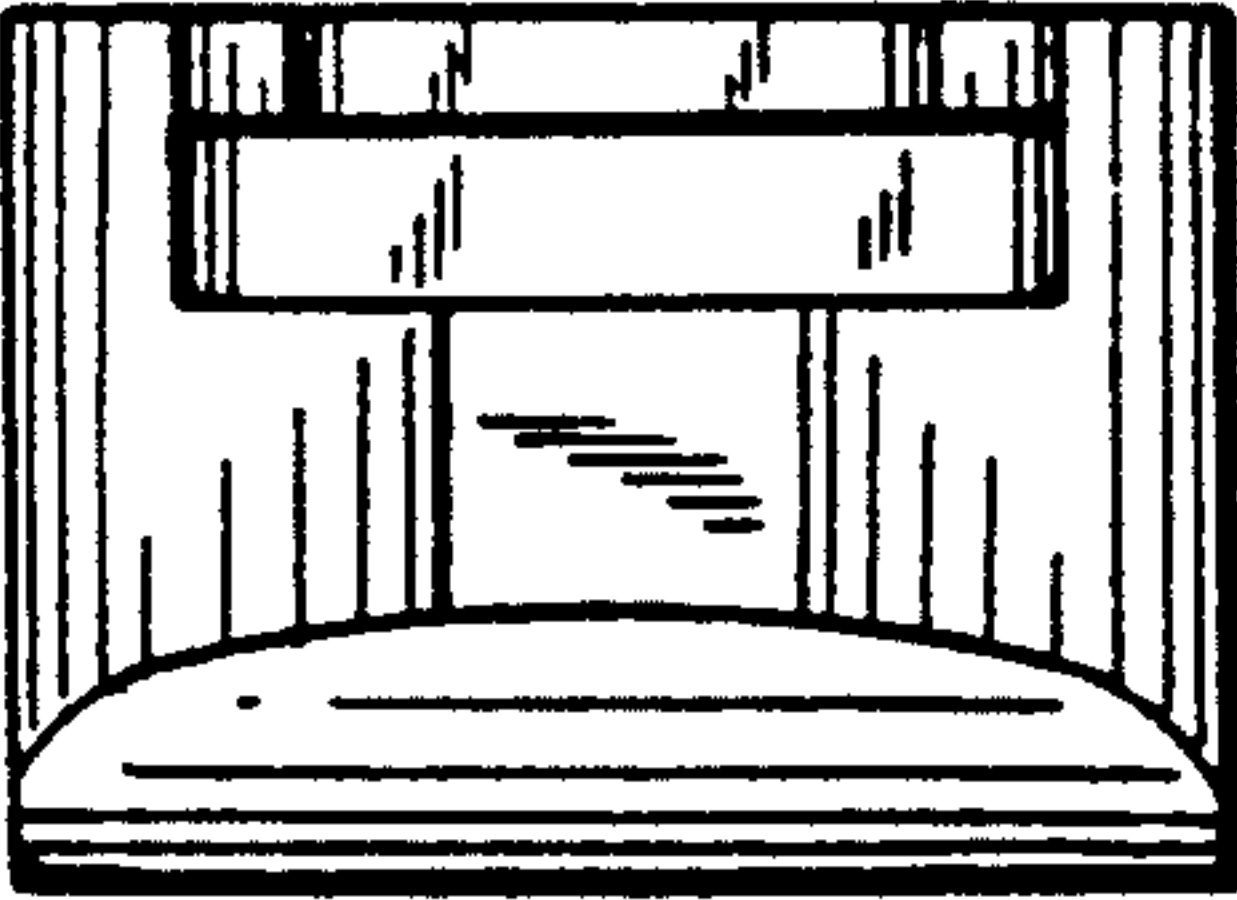


FIG. 6

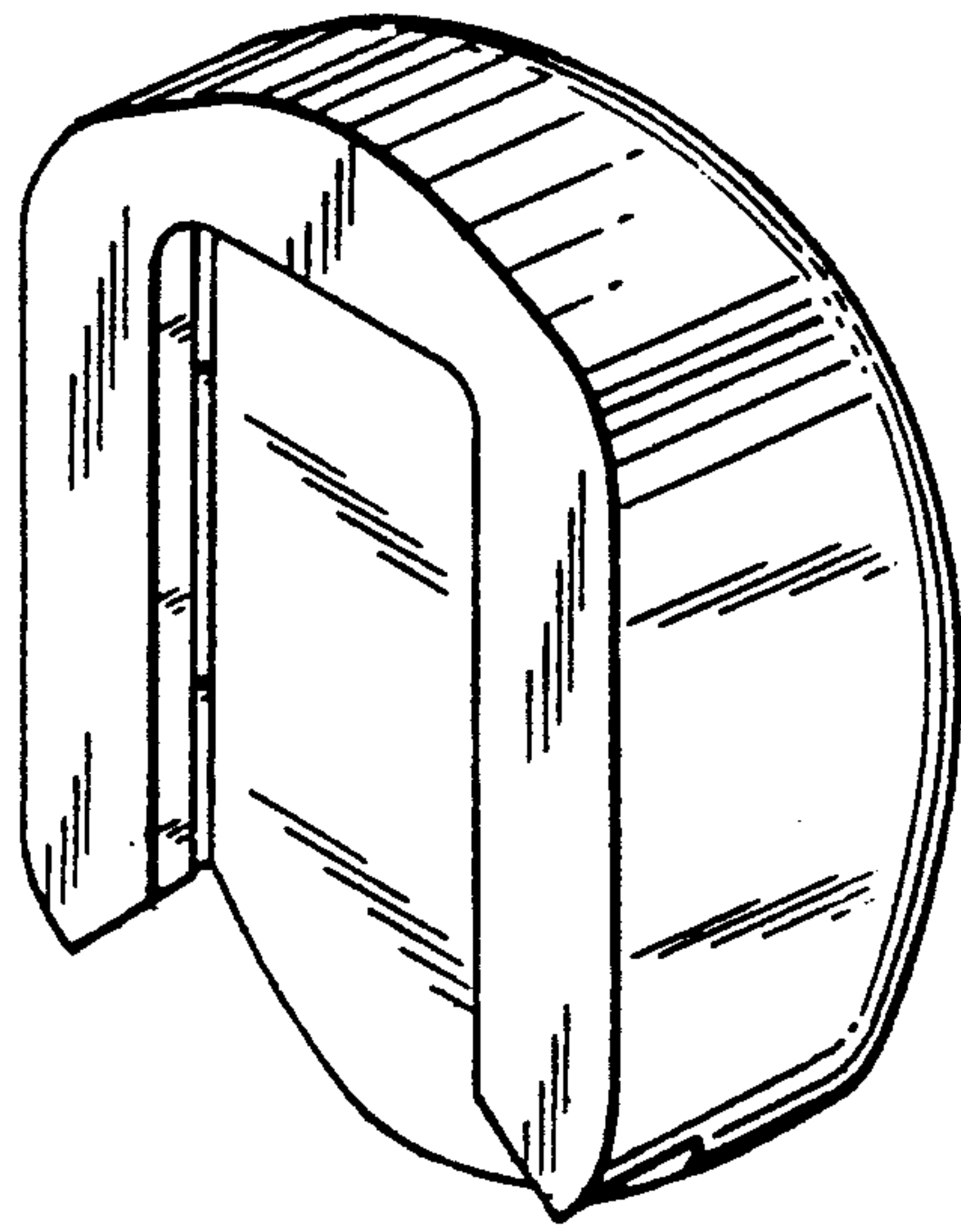


FIG. 7

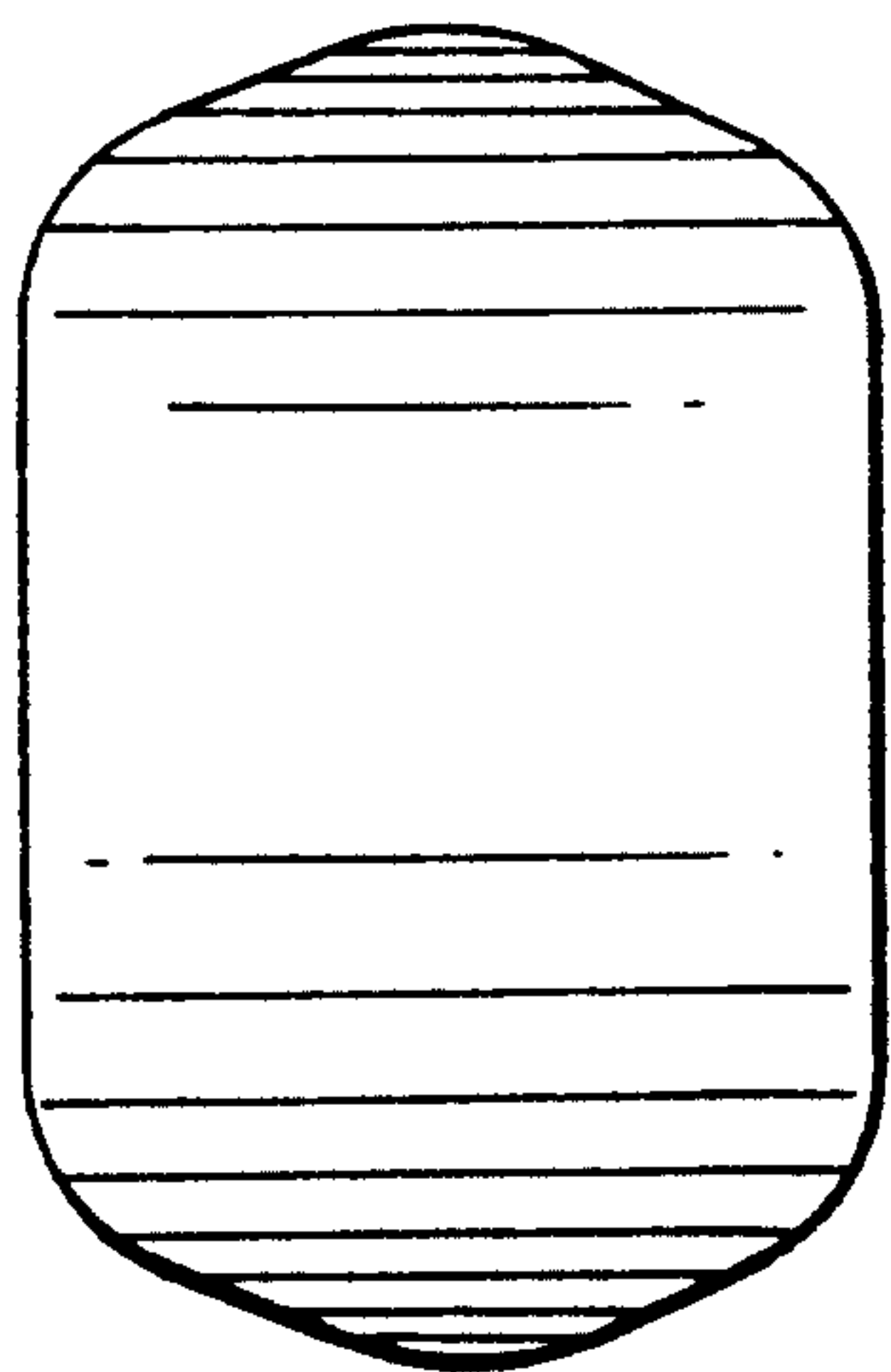


FIG. 8

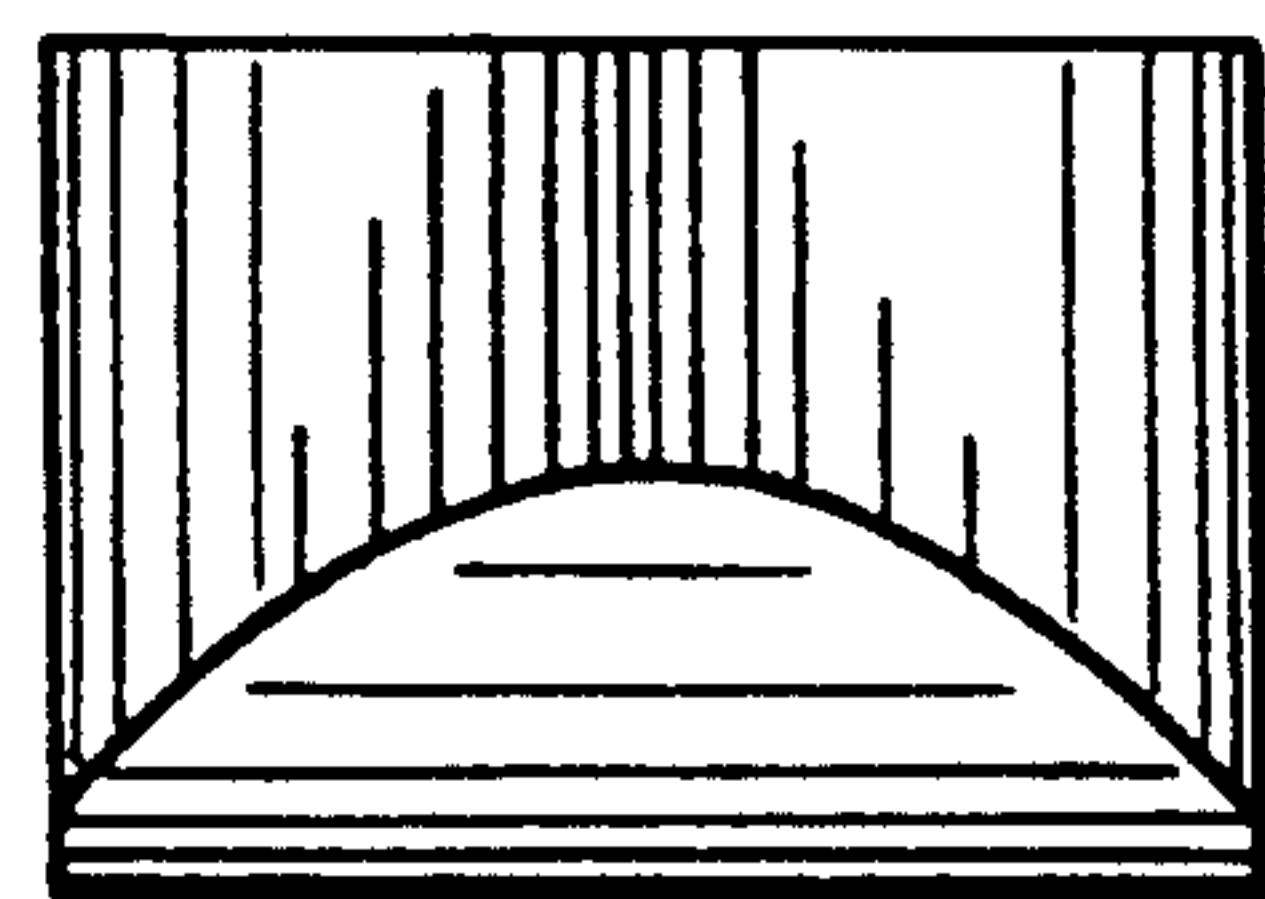


FIG. 9



FIG. 10

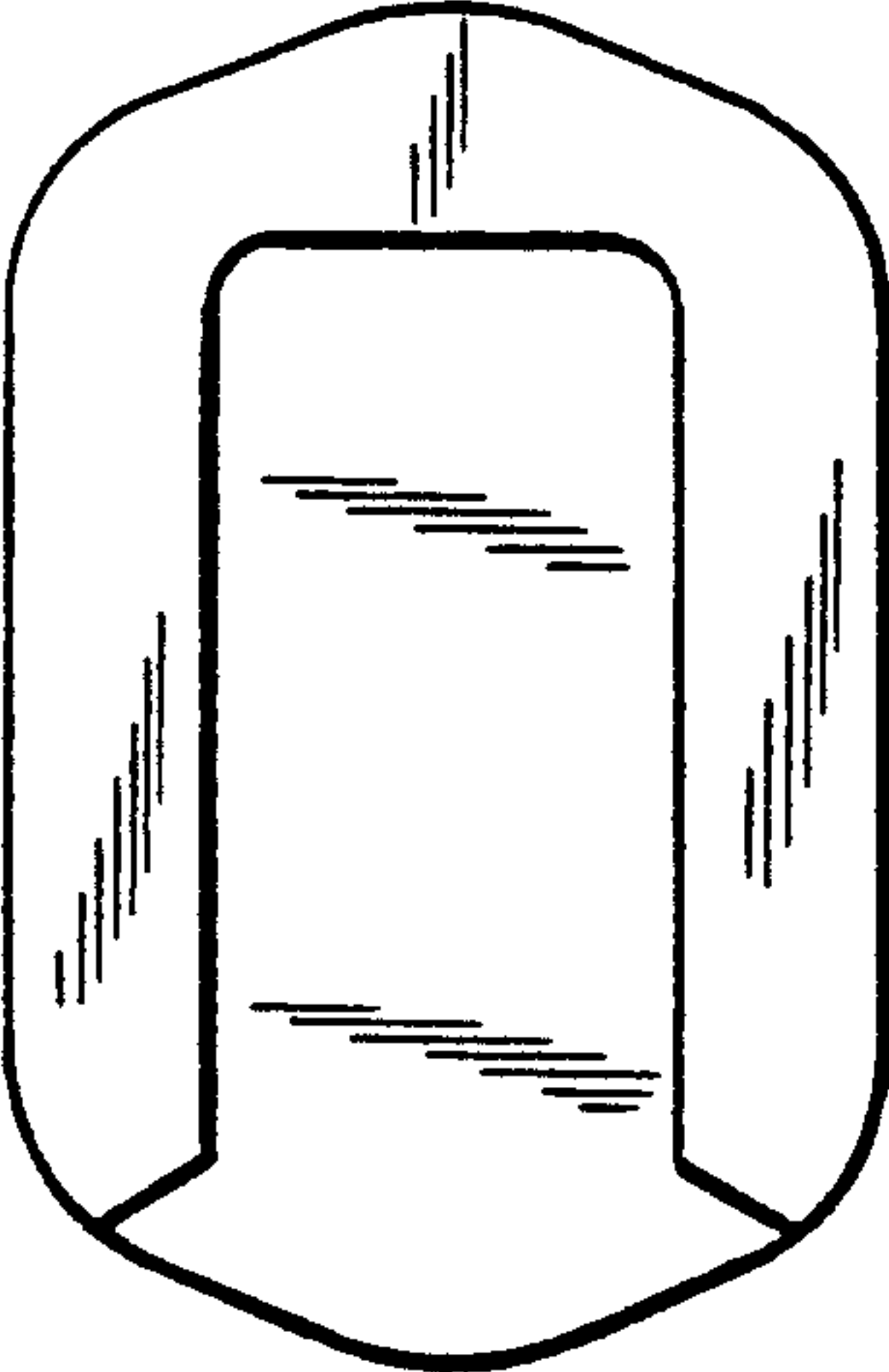


FIG. 11

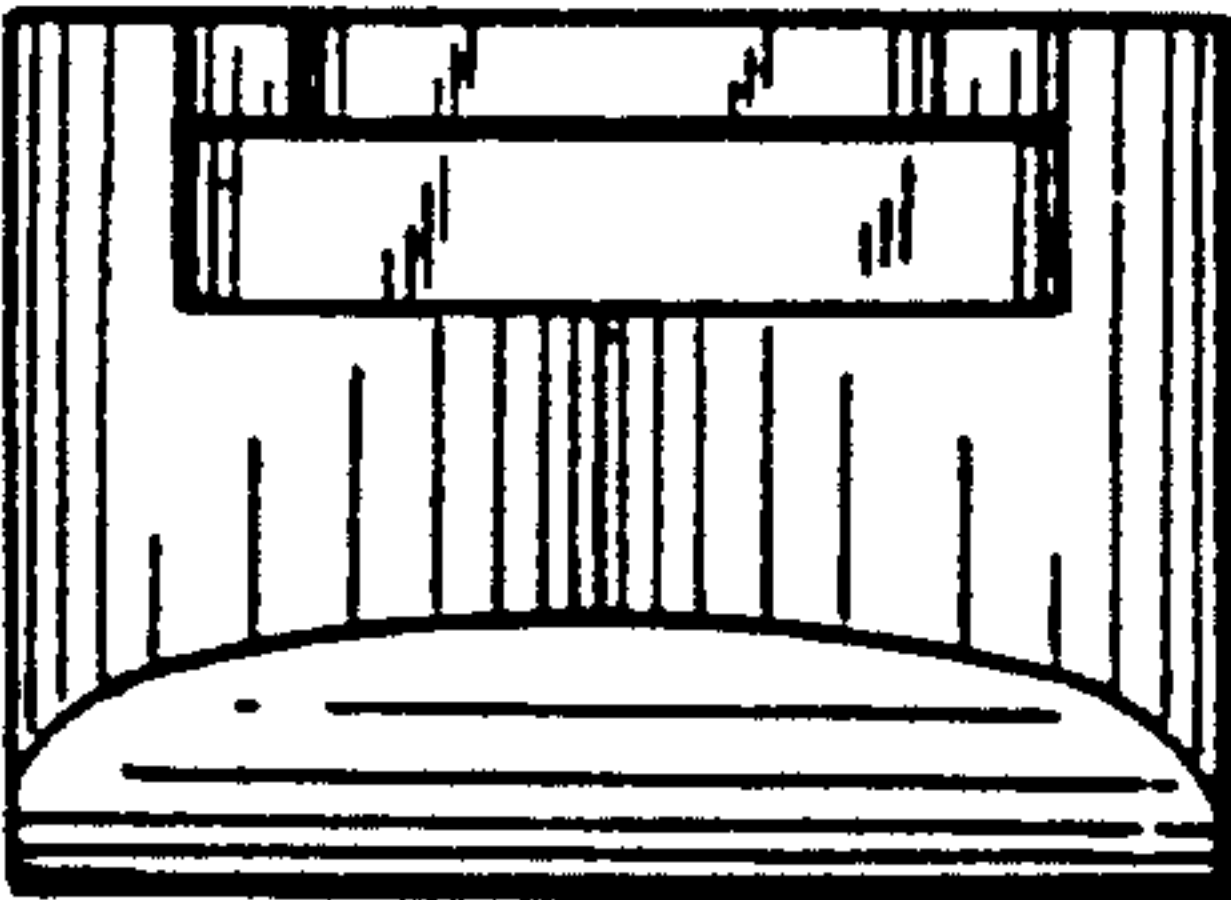


FIG. 12