



US00D340849S

# United States Patent [19]

[11] Patent Number: Des. 340,849

Izumisawa

[45] Date of Patent: \*\* Nov. 2, 1993

[54] PNEUMATIC BELT SANDER

[75] Inventor: Nobuyuki Izumisawa, Tokyo, Japan

[73] Assignee: Shinano, Inc., Saitama, Japan

[\*\*] Term: 14 Years

[21] Appl. No.: 878,285

[22] Filed: May 4, 1992

[52] U.S. Cl. .... D8/62

[58] Field of Search ..... D8/61-68;  
51/170, 170 EB, 170 R

[56] References Cited

U.S. PATENT DOCUMENTS

3,566,548	3/1971	Beckering et al. ....	51/170 EB
3,902,284	9/1975	Hestily .....	51/170 EB
4,118,897	10/1978	Martin .....	51/170 EB
4,694,616	9/1987	Lindberg .....	51/170 EB

OTHER PUBLICATIONS

Copy of a portion of a promotional brochure for "Dynabrade Automotive Products" showing pneumatic power tools which include abrasive belt machines, as shown on pp. 12 and 13. Year of publication believed to be 1990.

Copy of portions of a promotional brochure for ARO™ Portable Air Tools including p. 15, showing

pictures of various finishing sanders. Publication date unknown.

Copy of portion of a promotional brochure for "Nitto Kohki's Power Tools" with two pages showing various sanders. Year of publication believed to be 1991.

Copy of a promotional brochure showing a picture of a belt sander made by Florida Pneumatic located in Juniper, Florida U.S.A. Year of publication believed to be 1991.

Primary Examiner—Alan P. Douglas

Assistant Examiner—J. H. Musgrove

Attorney, Agent, or Firm—Welsh & Katz, Ltd.

[57] CLAIM

The ornamental design for a pneumatic belt sander, as shown and described.

DESCRIPTION

FIG. 1 is a perspective view of a pneumatic belt sander showing my design;

FIG. 2 is a top view thereof;

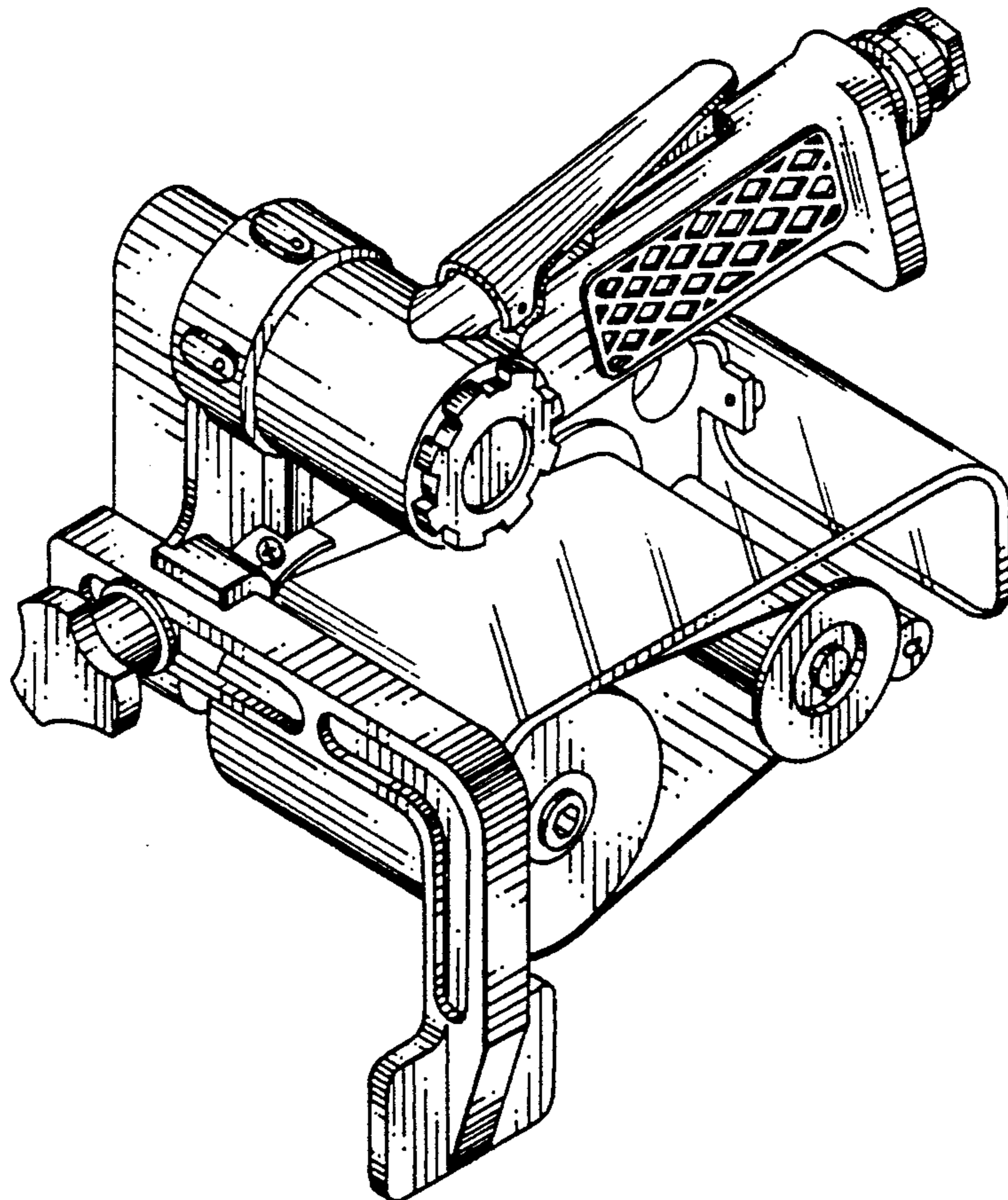
FIG. 3 is a right side view thereof;

FIG. 4 is a bottom view thereof;

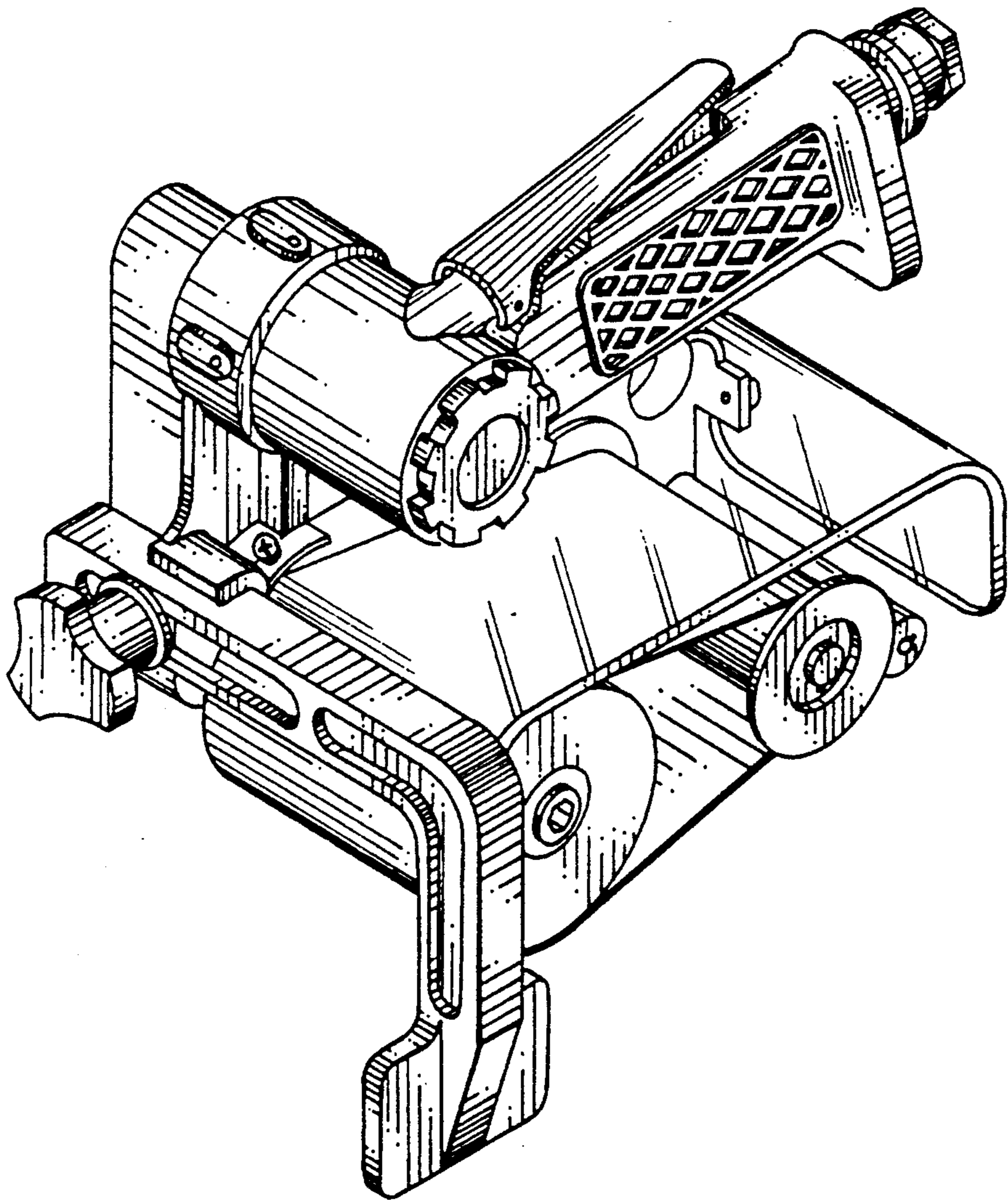
FIG. 5 is a rear view thereof;

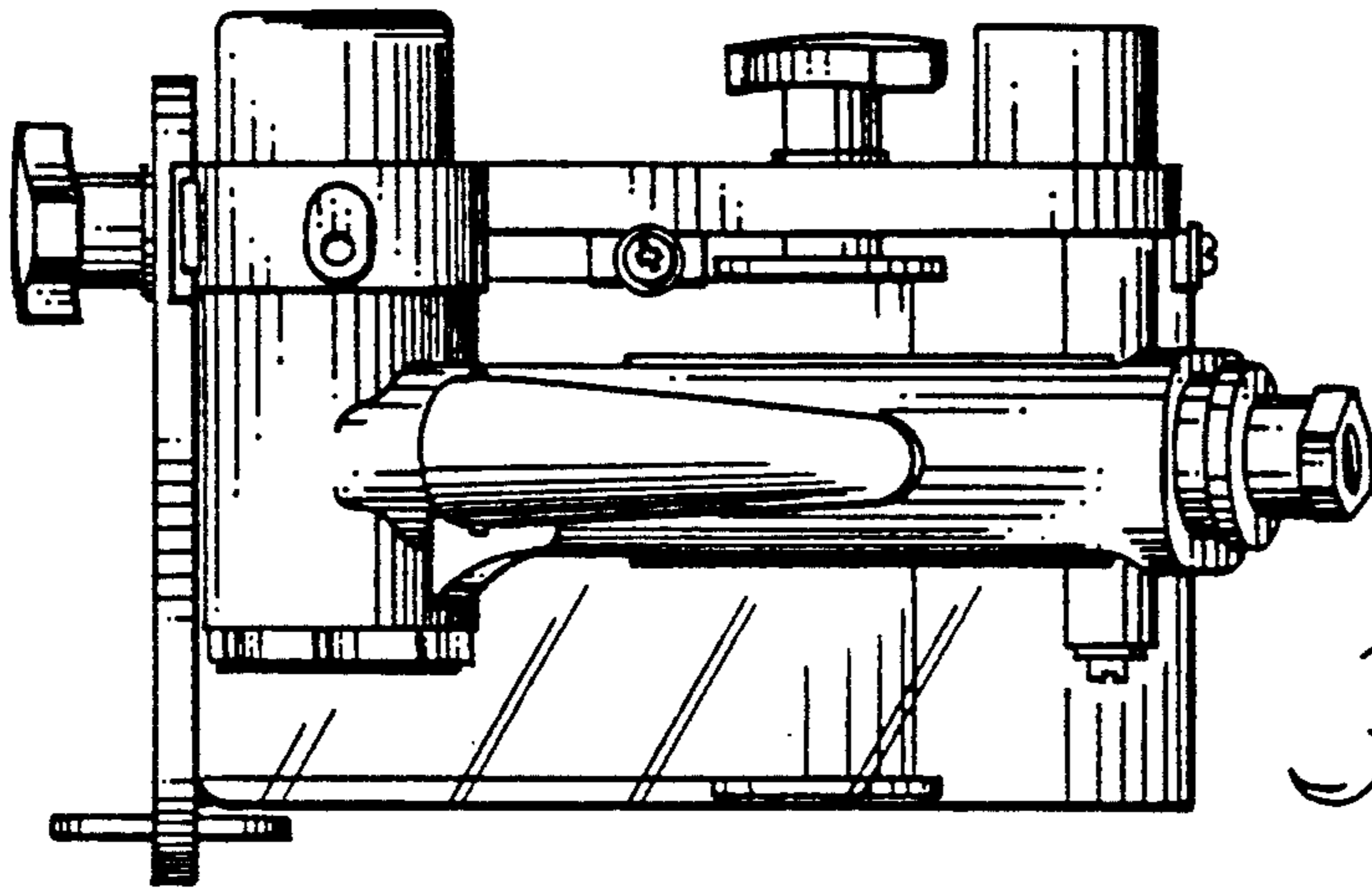
FIG. 6 is a left side view thereof; and,

FIG. 7 is a front view thereof.

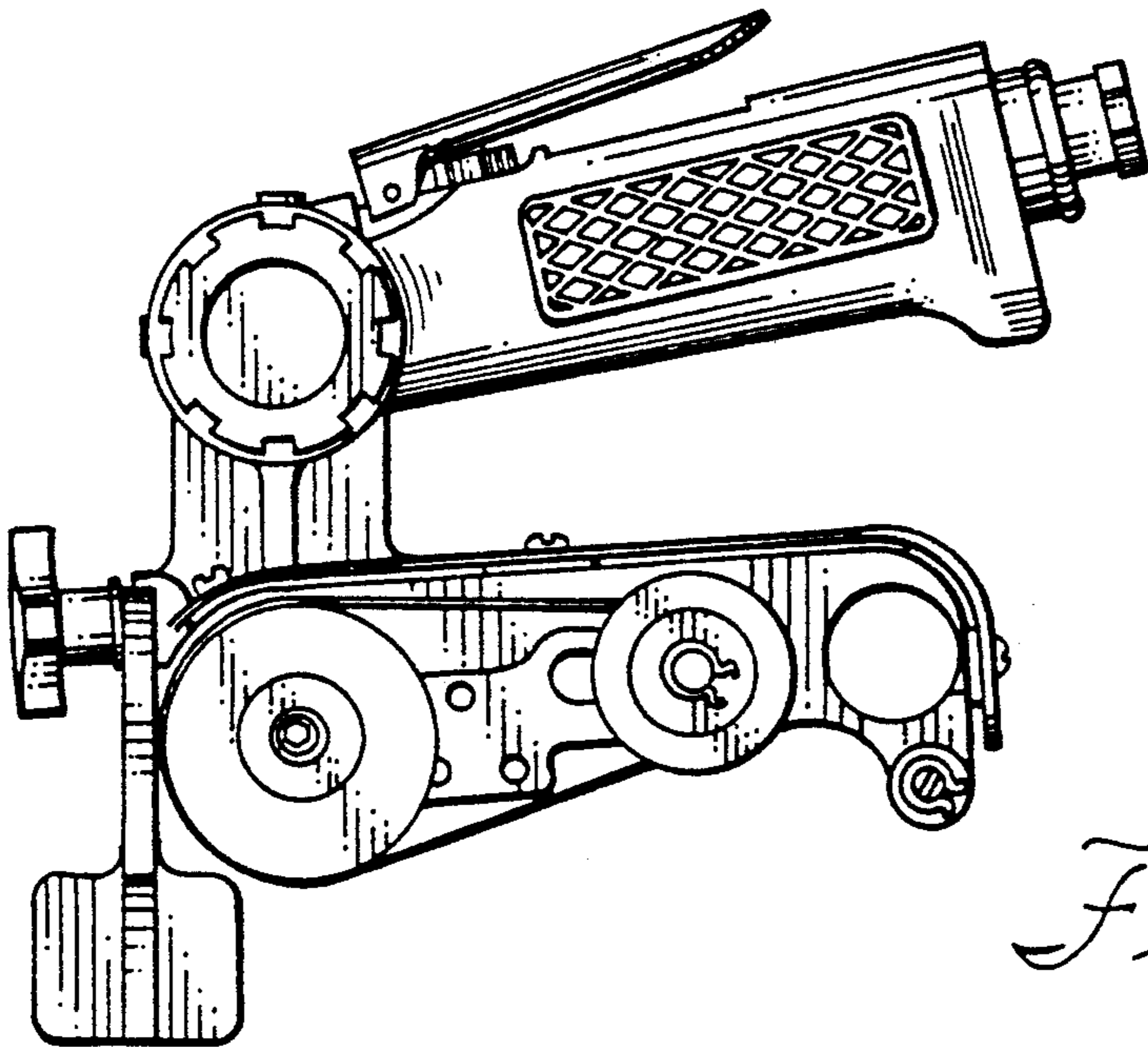


*Fig. 1.*

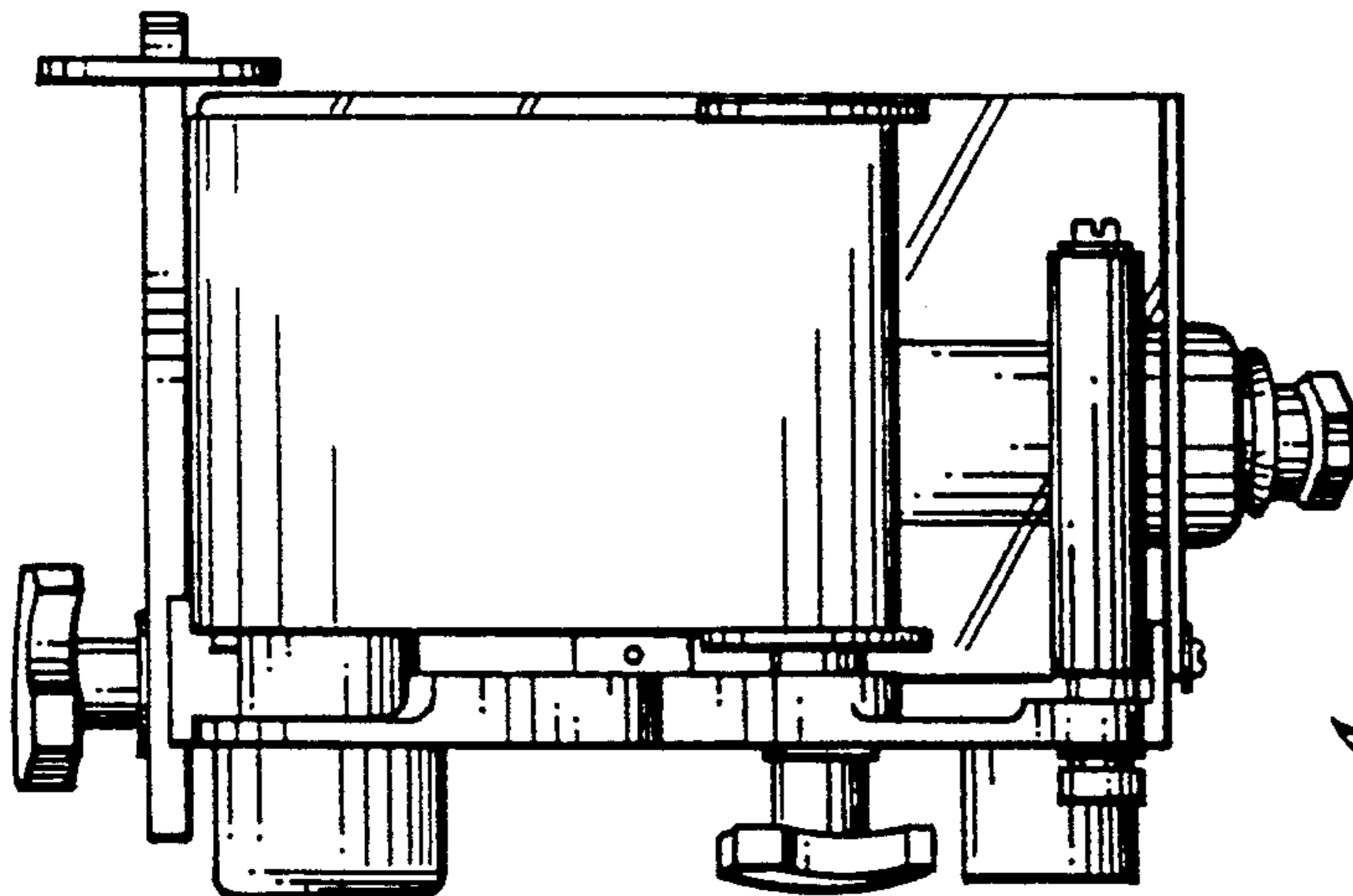




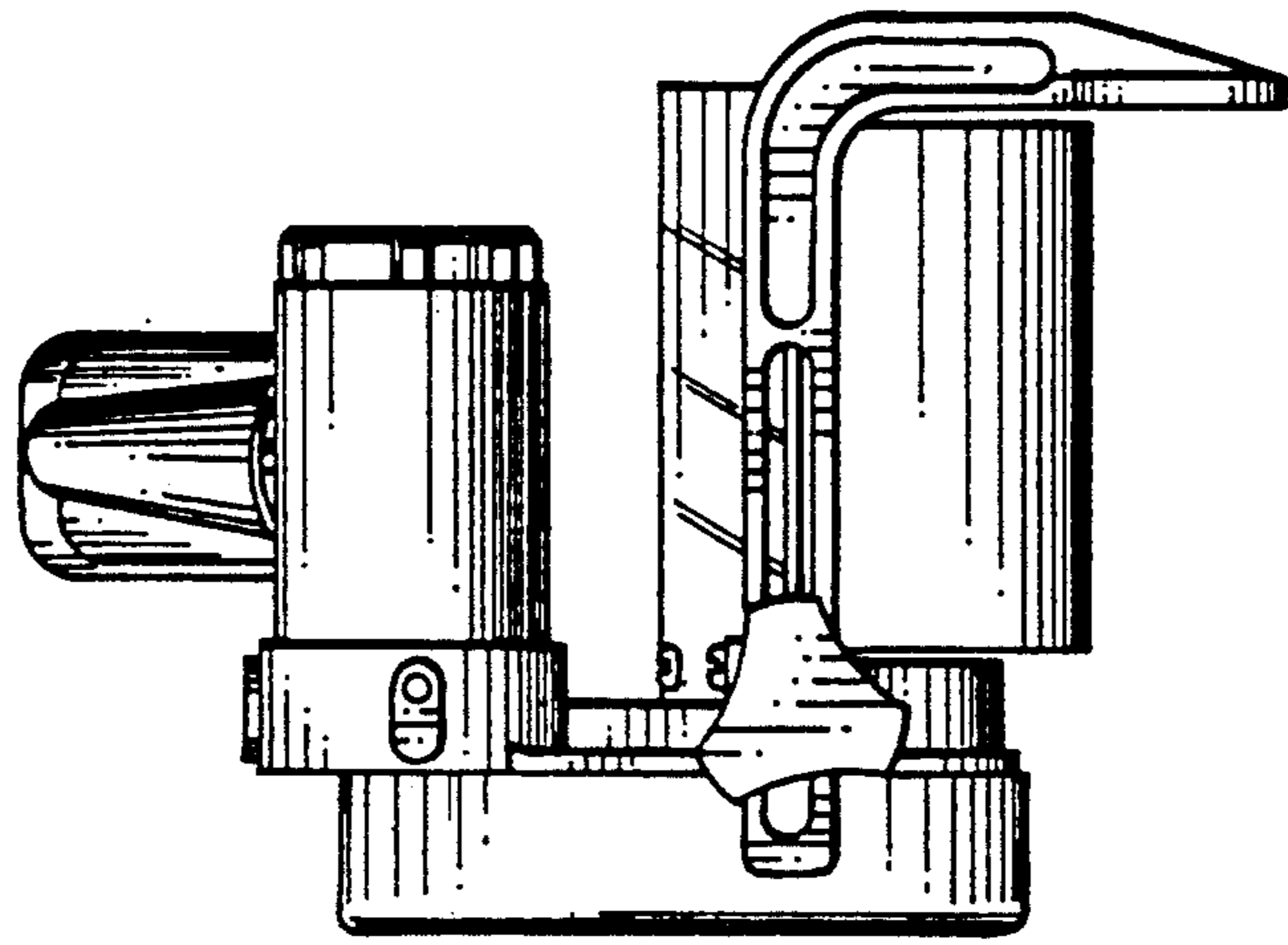
*Fig. 2.*



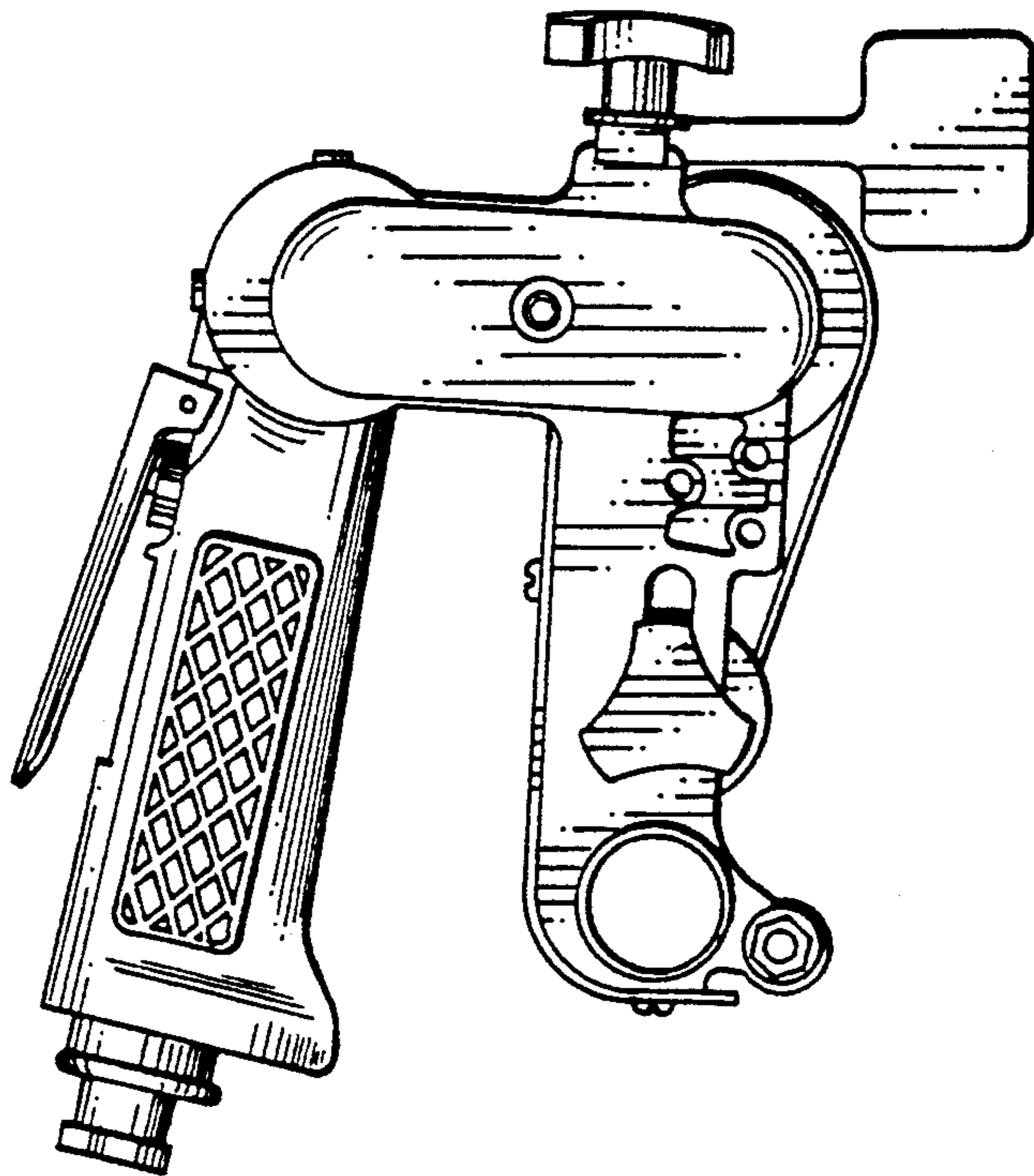
*Fig. 3.*



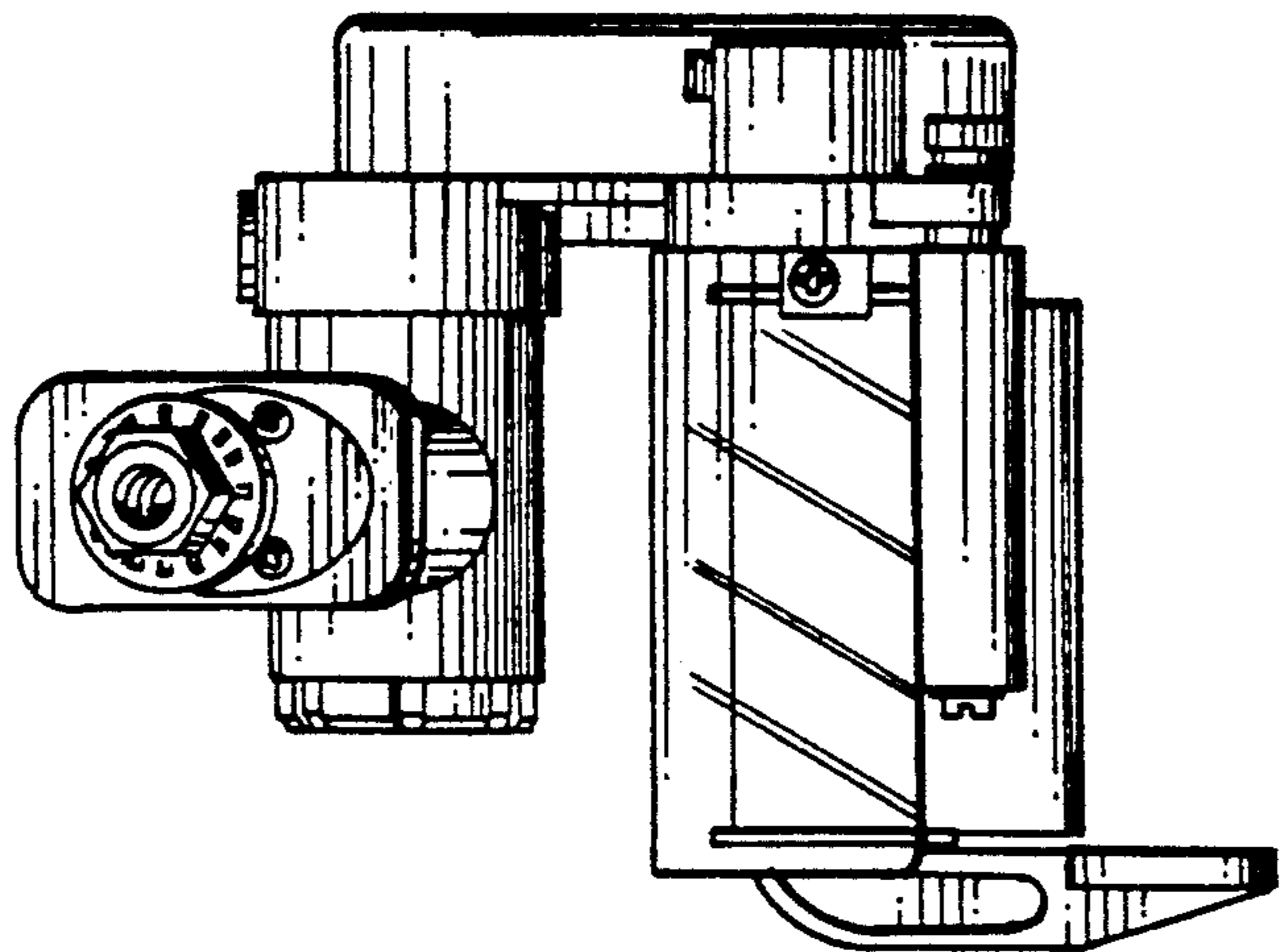
*Fig. 4.*



*Fig. 5.*



*Fig. 6.*



*Fig. 7.*