



US00D340845S

# United States Patent [19]

[11] Patent Number: **Des. 340,845**

Holmgren

[45] Date of Patent: **\*\* Nov. 2, 1993**

[54] **STUD AND NUT GRIPPING DEVICE**

4,378,714 4/1983 Colvin ..... 81/128  
4,794,827 1/1989 Poling ..... 81/128

[76] Inventor: **Cuyler Holmgren, P.O. Box 2156,  
Torrington, Conn. 06790**

*Primary Examiner—Alan P. Douglas  
Assistant Examiner—J. H. Musgrove  
Attorney, Agent, or Firm—Terry M. Gernstein*

[\*\*] Term: **14 Years**

[21] Appl. No.: **730,295**

[57] **CLAIM**

[22] Filed: **Jul. 15, 1991**

The ornamental design for a stud and nut gripping device, as shown and described.

[52] U.S. Cl. .... **D8/070; 279/902**

[58] Field of Search ..... **D8/70, 61; 279/68, 65,  
279/64, 152, 902, 60, 65; 81/125, 128**

**DESCRIPTION**

[56] **References Cited**

**U.S. PATENT DOCUMENTS**

D. 312,760	12/1990	Colvin	.....	D8/70
2,863,347	12/1958	Nelson	.....	81/57
3,214,992	11/1965	Dietrich	.....	81/57
3,324,747	6/1967	Able	.....	81/57
3,664,213	5/1972	Anati	.....	81/128

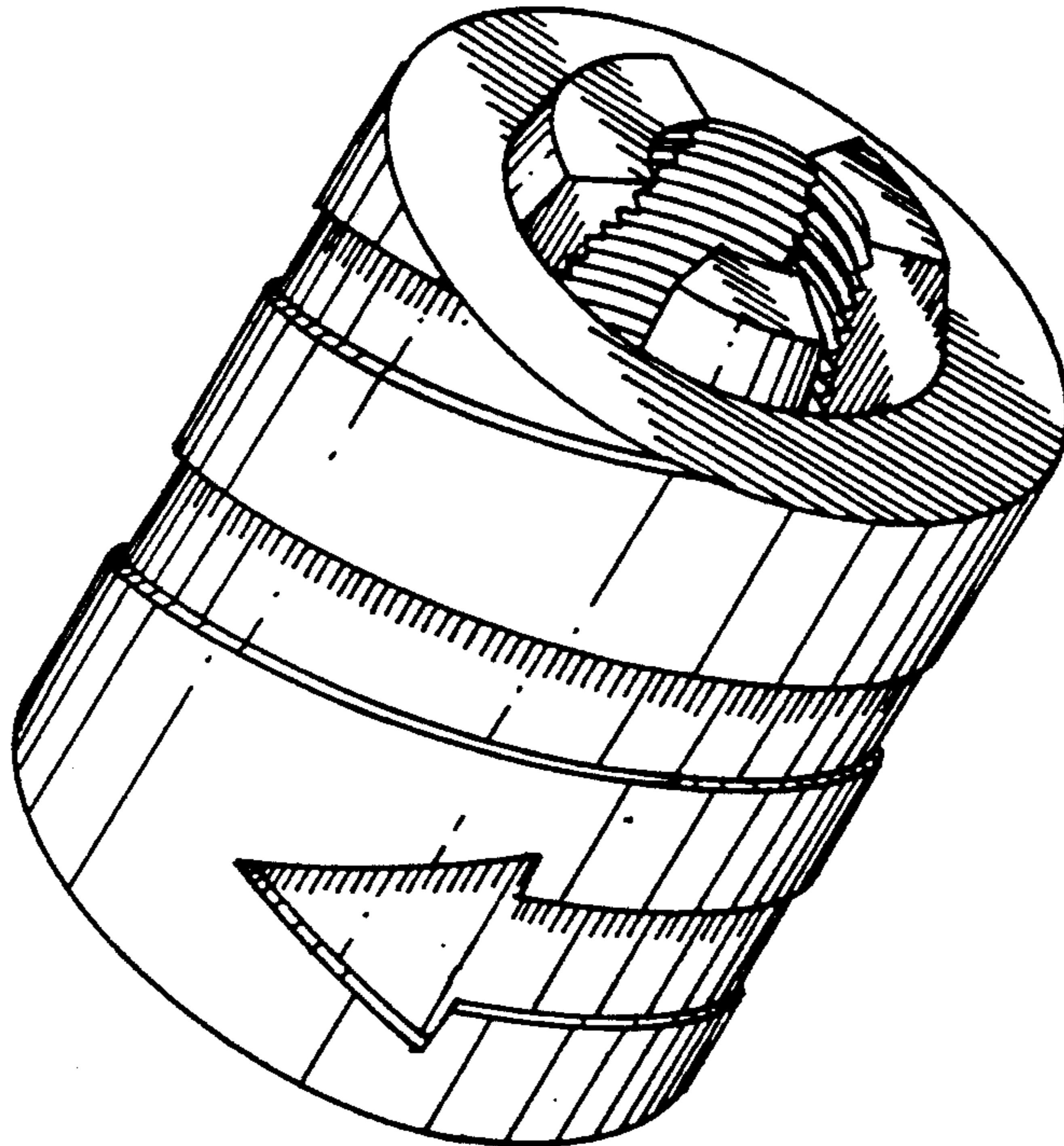
FIG. 1 is a perspective view of the stud and nut gripping device embodying the design of the present invention;

FIG. 2 is a front elevational view thereof, the rear being a mirror image of the front shown in FIG. 2;

FIG. 3 is a side elevational view thereof, the side opposite being a mirror image of the side shown in FIG. 3;

FIG. 4 is a top plan view thereof; and,

FIG. 5 is a bottom view thereof.



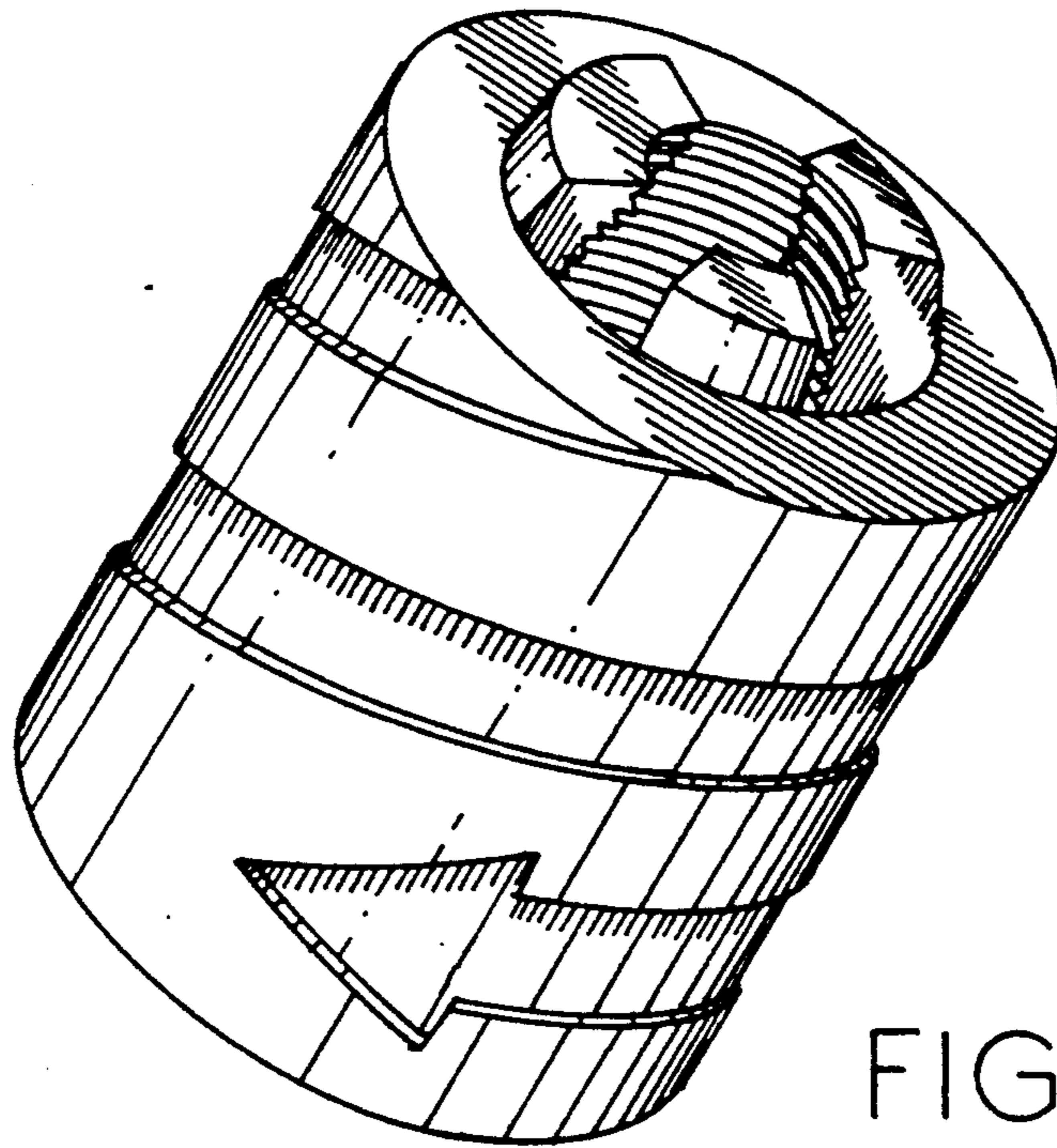


FIG. 1.

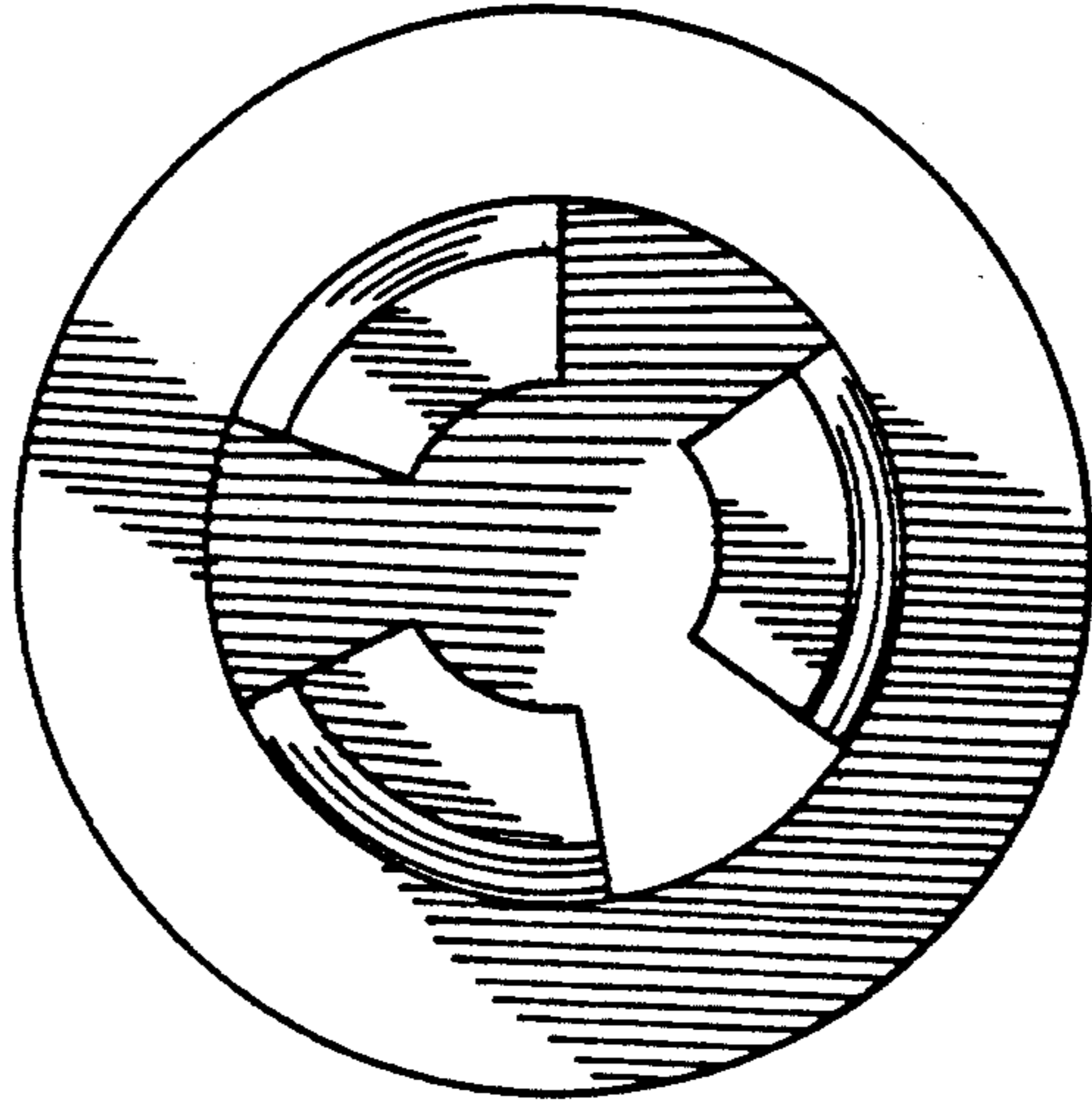
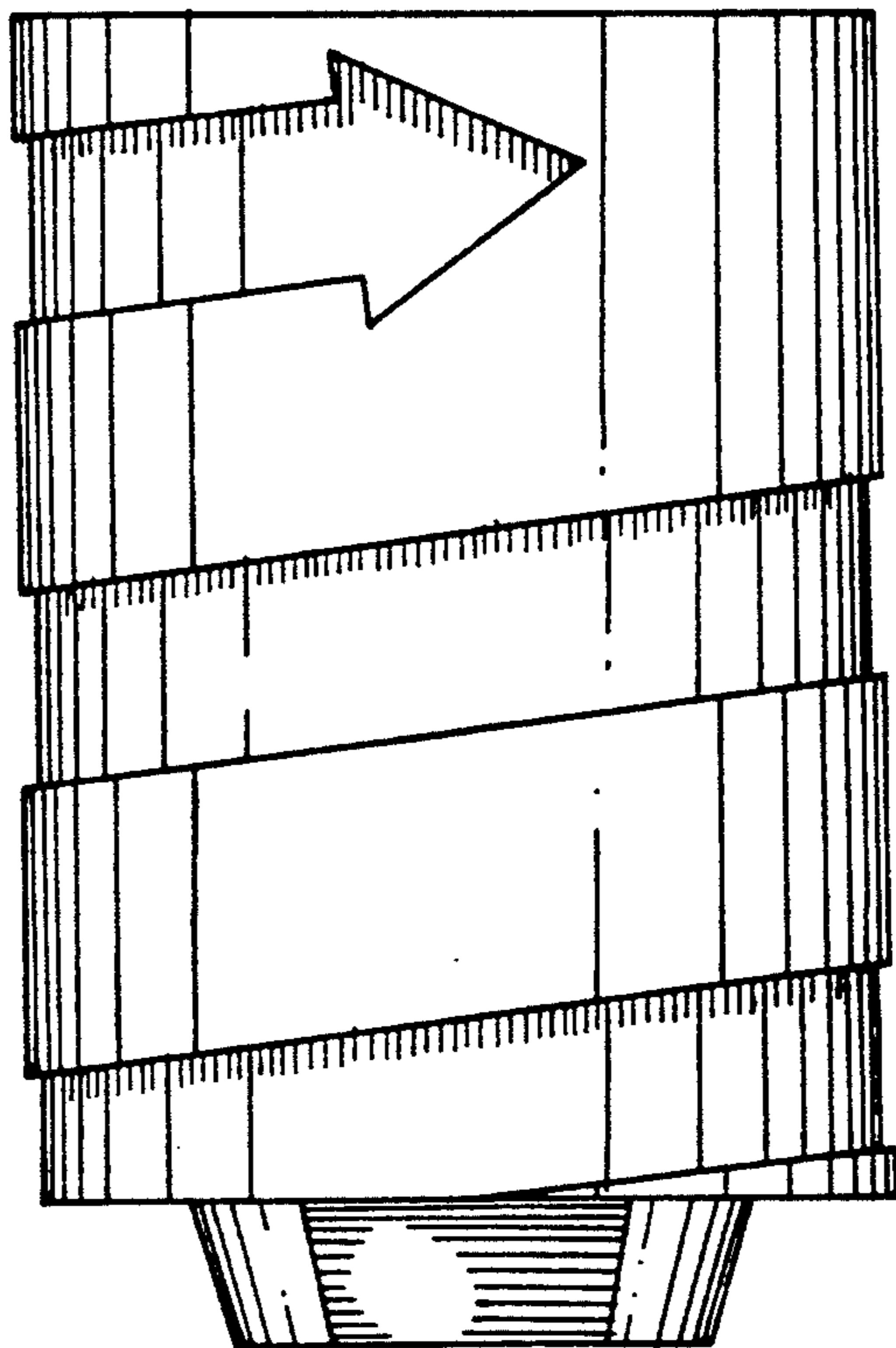


FIG. 4.

FIG. 2.



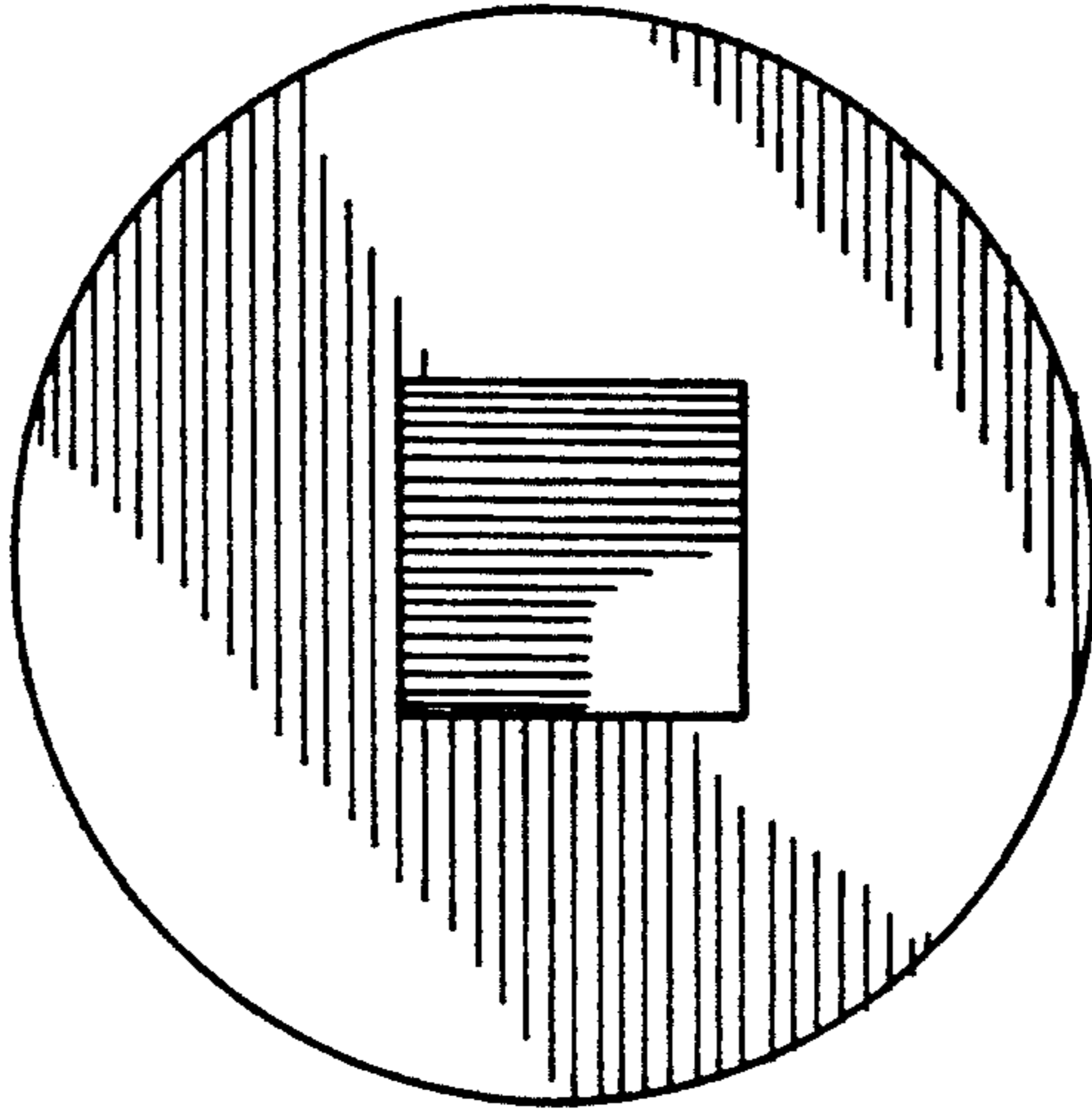


FIG. 5

FIG. 3.

