



US00D340843S

United States Patent [19]

[11] Patent Number: **Des. 340,843**

Morton, Jr.

[45] Date of Patent: **** Nov. 2, 1993**

[54] **PLANT WATERING DEVICE**

[76] Inventor: **Harold E. Morton, Jr.**, 501 S. Villa St., Willows, Calif. 95988

4,619,072	10/1986	Privett	47/79
4,829,709	5/1989	Centafanti	47/79
4,951,416	8/1990	Gutridge	47/79
4,991,345	2/1991	Bloch	47/79

[**] Term: **14 Years**

Primary Examiner—Wallace R. Burke
Assistant Examiner—H. Baynham
Attorney, Agent, or Firm—Terry M. Gernstein

[21] Appl. No.: **792,071**

[22] Filed: **Nov. 4, 1991**

[52] U.S. Cl. **D8/1**

[58] Field of Search **D8/1; 47/79, 62; D7/700; 222/460; D23/200; D11/164**

[57] **CLAIM**

The ornamental design for a plant watering device, as shown and described.

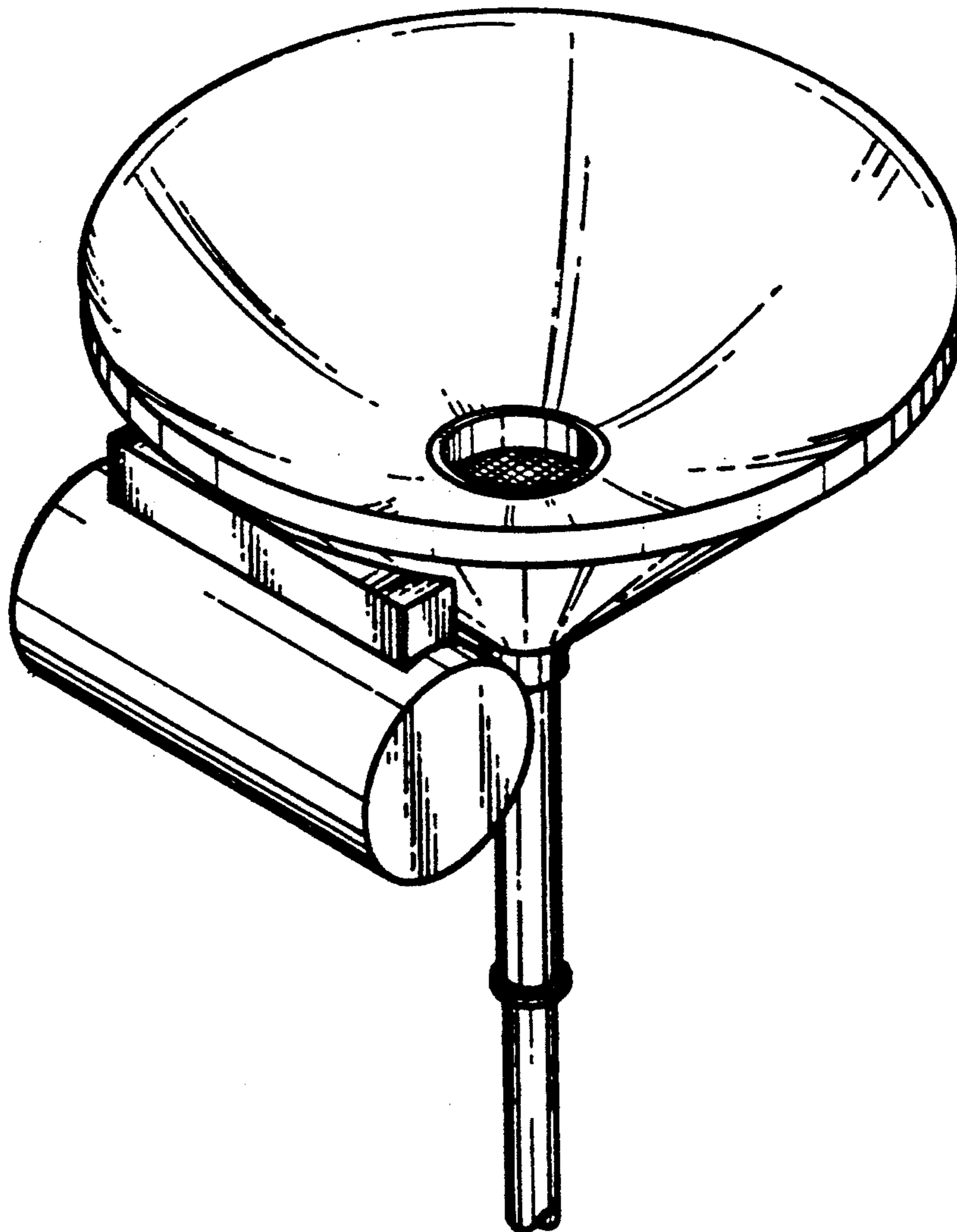
[56] **References Cited**

DESCRIPTION

U.S. PATENT DOCUMENTS

D. 135,952	7/1943	Warren	D7/700
D. 238,648	2/1976	Jablecki	D7/700
D. 239,962	5/1976	Vontill	D8/1
D. 285,487	9/1986	Tjernagel	D23/200 X
D. 333,506	2/1993	Krajewski	D7/700 X
3,125,255	3/1964	Kaiser	D8/1 X
4,581,848	4/1986	Kröber	47/79

FIG. 1 is a perspective view of the plant watering device embodying the design of the present invention; FIG. 2 is a front elevational view thereof; FIG. 3 is a rear elevational view thereof; FIG. 4 is a side elevational view thereof, the side opposite being a mirror image of the side shown in FIG. 4; FIG. 5 is a top plan view thereof; and, FIG. 6 is a bottom view thereof.



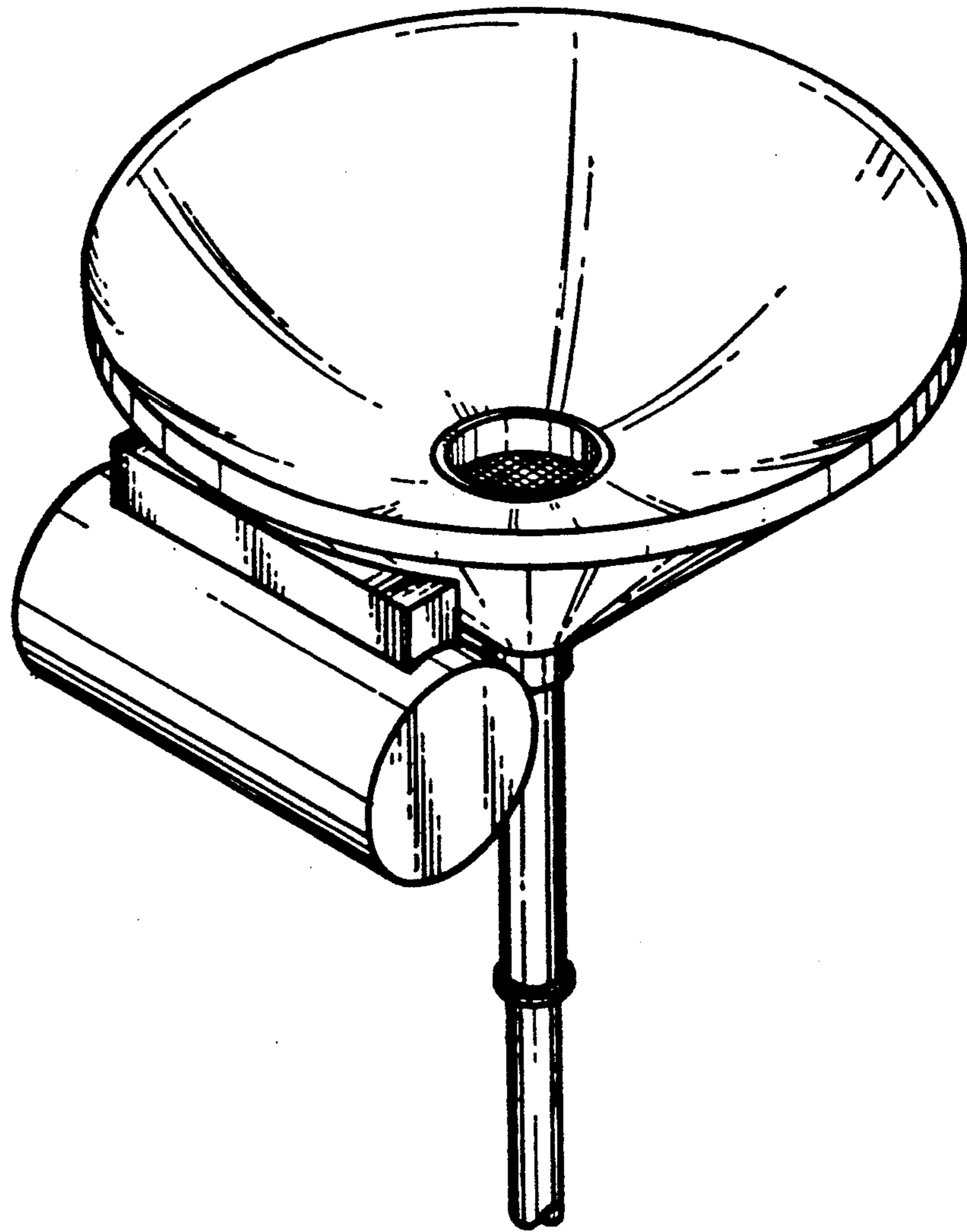


FIG.1

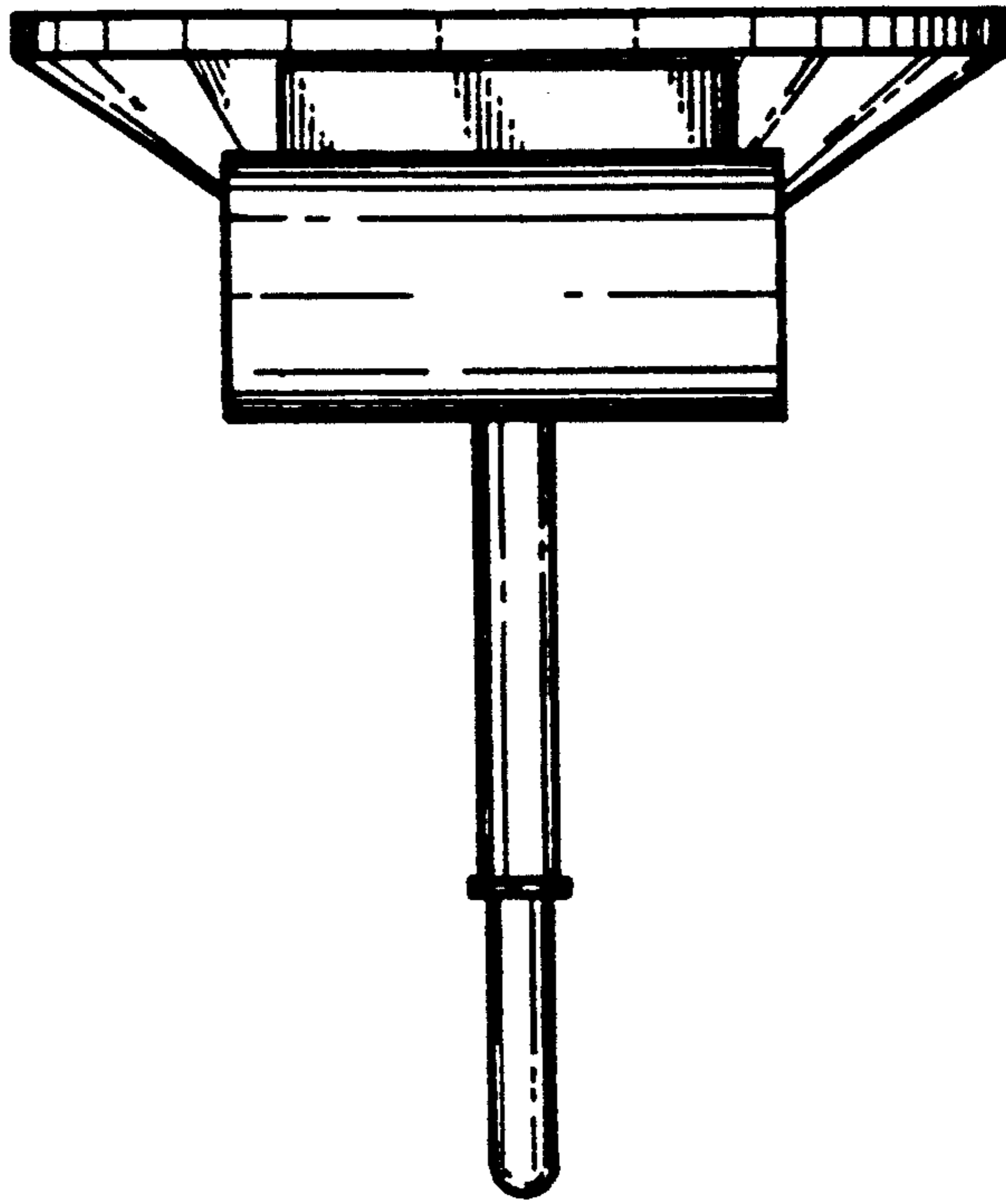


FIG. 2

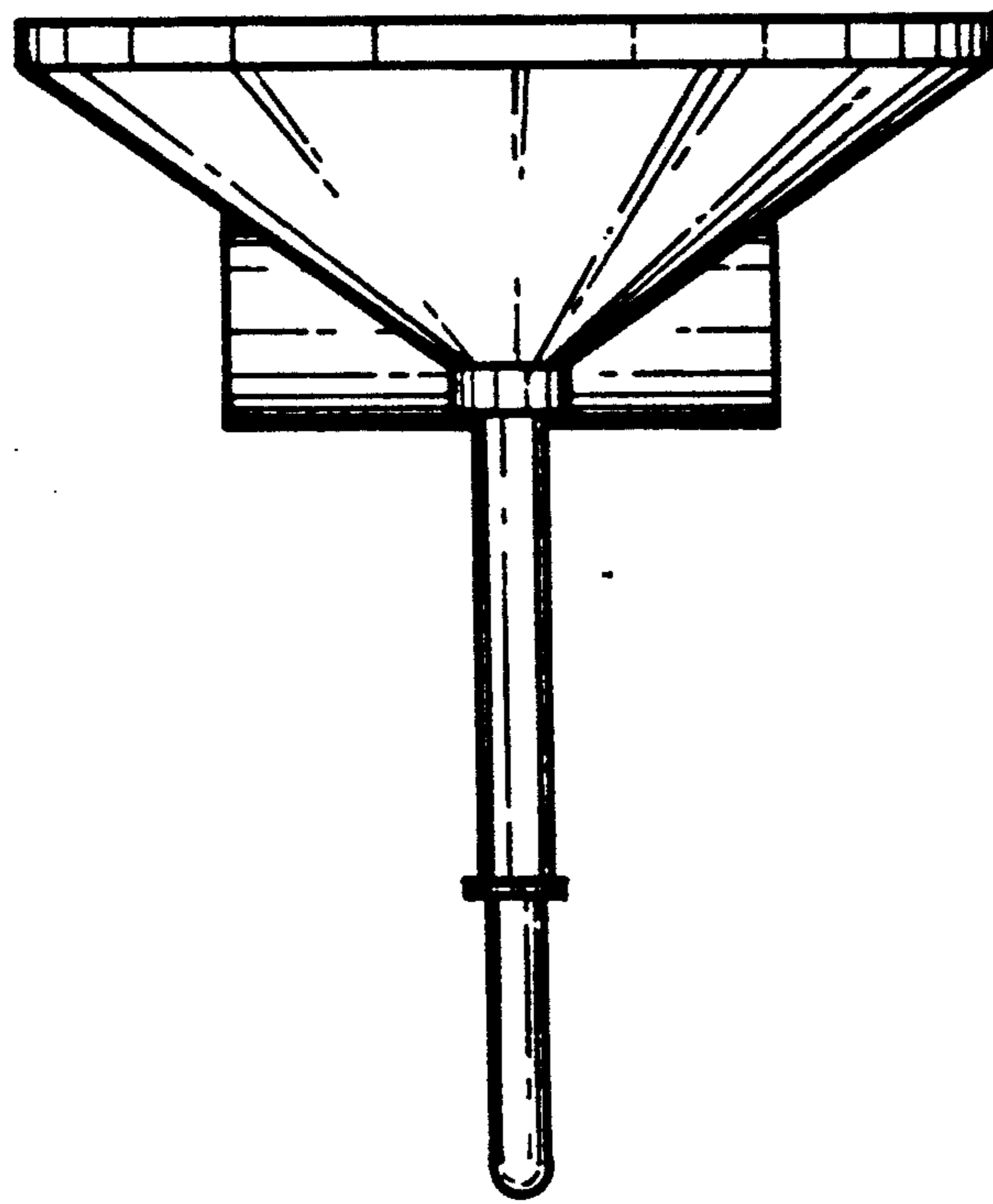


FIG. 3

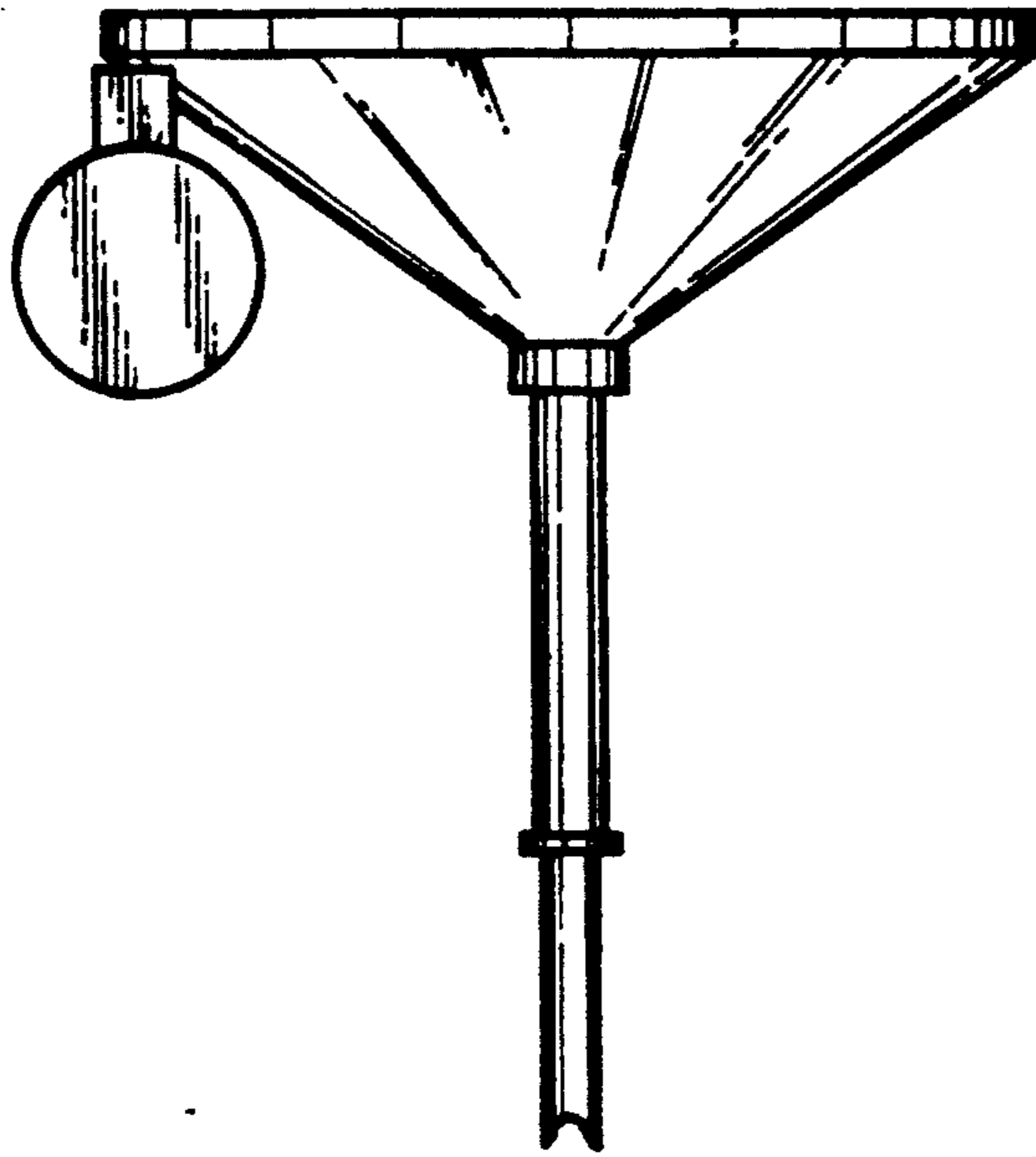


FIG. 4

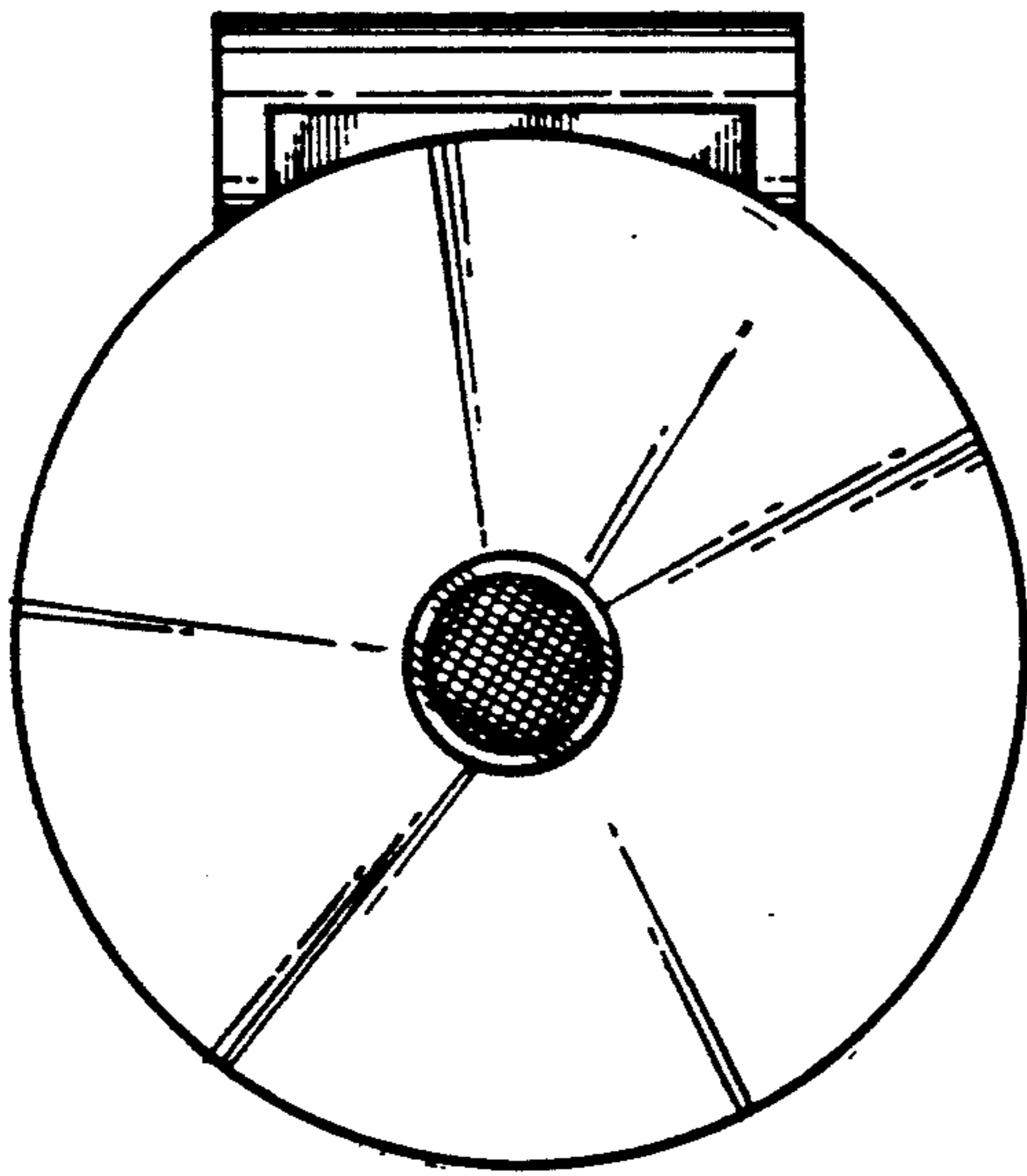


FIG. 5

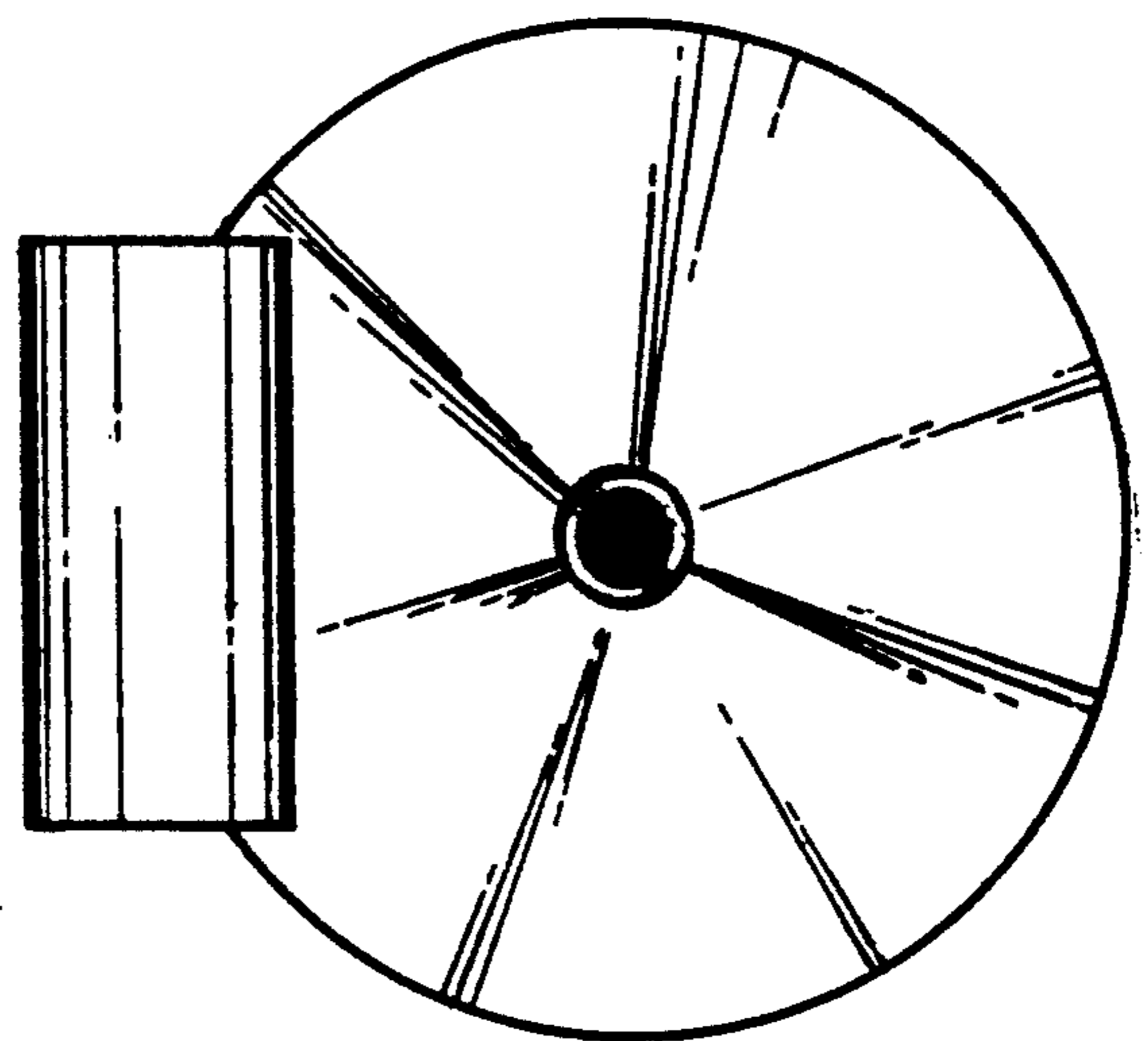


FIG. 6