



US00D340838S

United States Patent [19]

[11] Patent Number: **Des. 340,838**

Lingo

[45] Date of Patent: **** Nov. 2, 1993**

[54] DRINKING GLASS

1,252,204 1/1918 Valeri 220/671 X
3,237,834 3/1966 Davis et al. D7/531 X
5,098,663 3/1992 Berthold et al. D24/227 X

[76] Inventor: **John L. Lingo**, 936 Trinidad Ave.,
Cocoa Beach, Fla. 32931

[**] Term: **14 Years**

Primary Examiner—Alan P. Douglas
Assistant Examiner—M. N. Pandozzi
Attorney, Agent, or Firm—William M. Hobby, III

[21] Appl. No.: **729,002**

[22] Filed: **Jul. 12, 1991**

[57] **CLAIM**

[52] U.S. Cl. **D7/531; D7/523**

The ornamental design for a drinking glass design, as shown.

[58] Field of Search **D7/537, 525, 527, 507,
D7/509, 513, 510, 515, 514, 524, 526, 533, 534,
535, 588, 567, 560, 540, 523, 530, 536, 531;
D24/227; D21/60; 220/574, 671; 206/502;
215/99.5**

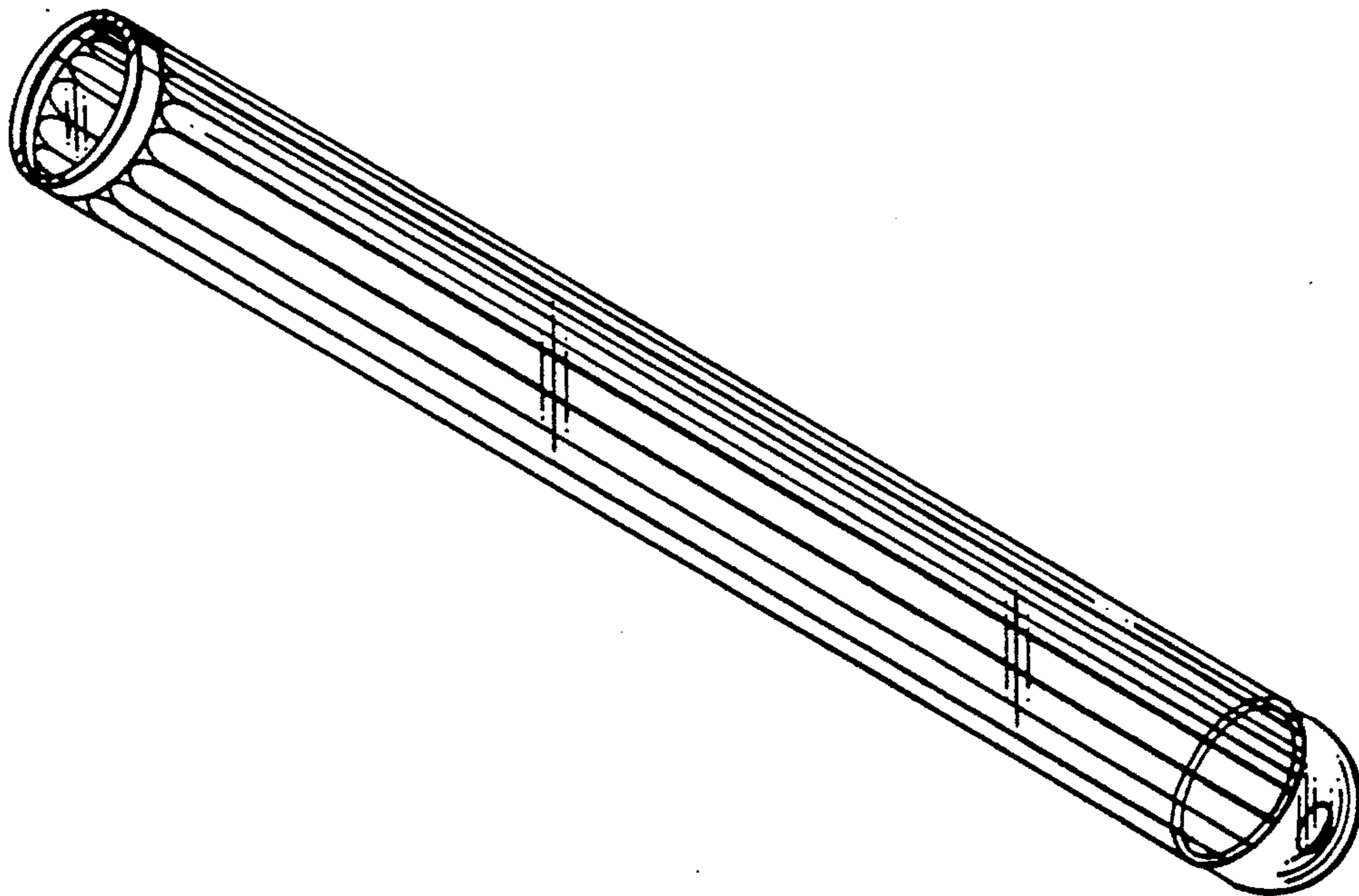
DESCRIPTION

FIG. 1 is a perspective view of a drinking glass showing my new design;
FIG. 2 is a side elevation;
FIG. 3 is a top plan view; and,
FIG. 4 is a bottom plan view.
FIG. 5 is a cross-sectional view thereof taken along line 5—5 of FIG. 2; and
FIG. 6 is a cross-sectional view thereof taken along line 6—6 of FIG. 2.

[56] **References Cited**

U.S. PATENT DOCUMENTS

D. 47,721 10/1915 Haley D7/531
D. 161,704 1/1951 Morrison D7/527
D. 192,435 3/1962 Goodman D7/531
D. 288,700 3/1987 Kalish D21/60



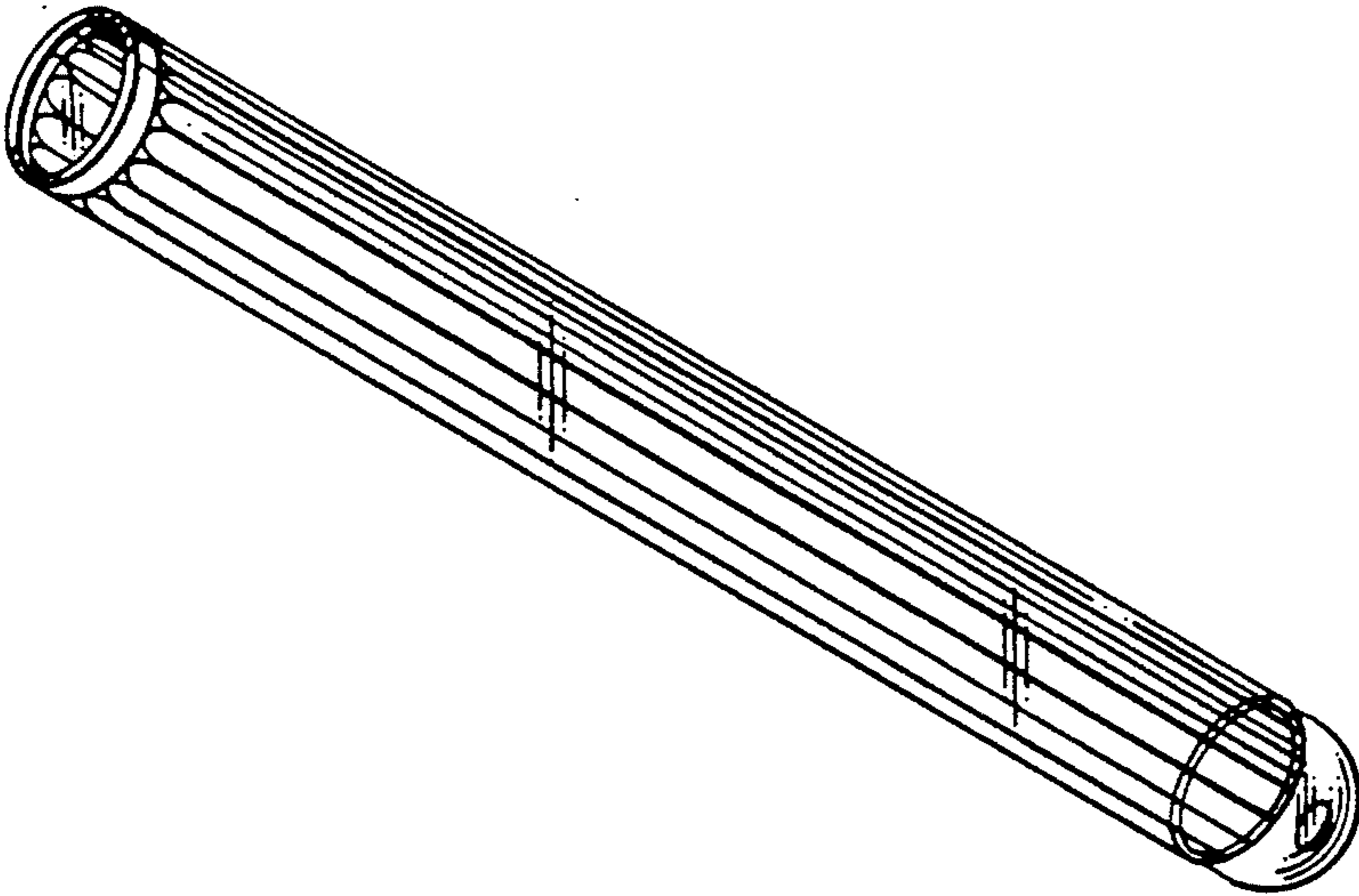


FIG. 1

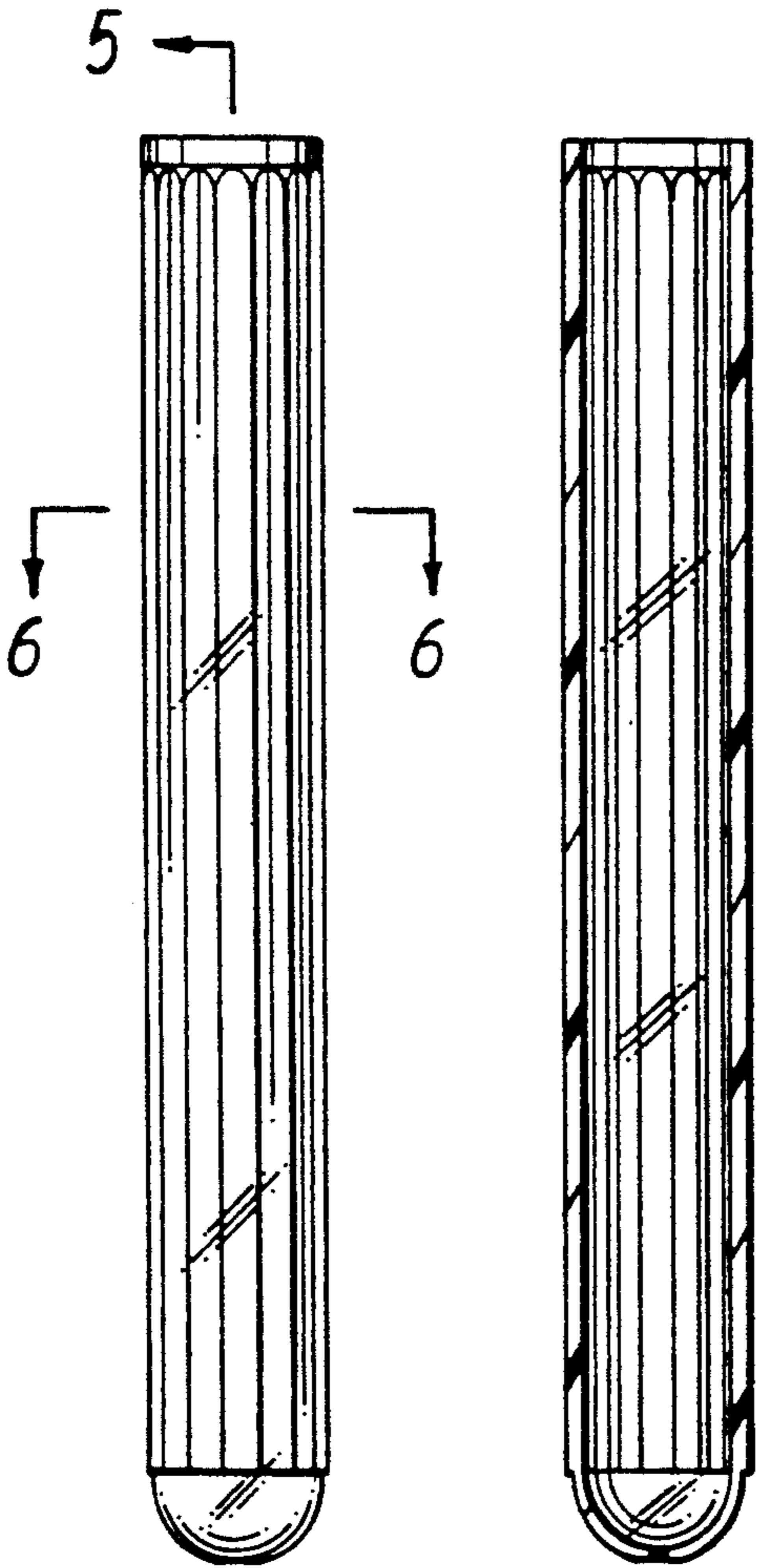


FIG. 2

FIG. 5

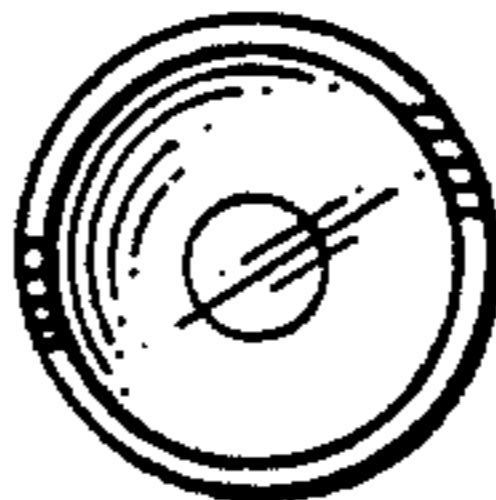


FIG. 3

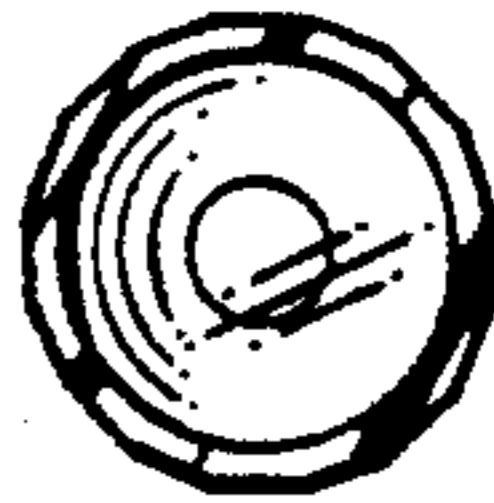


FIG. 6



FIG. 4