



US00D340831S

# United States Patent [19]

[11] Patent Number: **Des. 340,831**

Manabe

[45] Date of Patent: **\*\* Nov. 2, 1993**

[54] **TOASTER OVEN WITH EGG COOKER AND COFFEE MAKER**

3,720,156 3/1983 Hentschel et al. .... D7/354 X

[75] Inventor: **Eiichi Manabe**, Hyogo, Japan

[73] Assignee: **Sengoku Tetukou Co., Ltd.**, Hyogo, Japan

[\*\*] Term: **14 Years**

[21] Appl. No.: **882,628**

[22] Filed: **May 13, 1992**

[30] **Foreign Application Priority Data**

Nov. 22, 1991 [JP] Japan ..... 3-35289

[52] U.S. Cl. .... **D7/305; D7/309; D7/348; D7/354**

[58] Field of Search ..... **D7/305, 310, 309, 348, D7/354, 300, 550, 552; 99/275, 289 R, 295, 305 P**

[56] **References Cited**

**U.S. PATENT DOCUMENTS**

- D. 157,375 2/1958 Jones et al. .... D7/354
- D. 285,276 8/1986 Daher ..... D7/309
- D. 288,274 2/1987 Mayeur ..... D7/348
- D. 290,215 6/1987 Sonnentag et al. .... D7/305 X
- D. 297,296 8/1988 Feil et al. .... D7/348
- D. 299,900 2/1989 Marotta ..... D7/309
- D. 303,903 10/1989 Ueda et al. .... D7/305 X
- D. 304,541 11/1989 Seiffert ..... D7/309
- D. 314,881 2/1991 Wondergem et al. .... D7/310 X
- D. 335,607 5/1993 Newman ..... D7/305

**OTHER PUBLICATIONS**

Social Supper Trays, The Gift and Art Shop for Feb. 1932.

Laminated Color Trays, Restaurant Equipment Dealer Oct. 1963 p. 34.

*Primary Examiner*—Alan P. Douglas

*Assistant Examiner*—M. N. Pandozzi

*Attorney, Agent, or Firm*—Koda and Androlia

[57] **CLAIM**

The ornamental design for a toaster oven with egg cooker and coffee maker, as shown and described.

**DESCRIPTION**

FIG. 1 is a perspective view of a toaster oven with egg cooker and coffee maker showing my new design;

FIG. 2 is a front elevational view thereof;

FIG. 3 is a rear elevational view thereof;

FIG. 4 is a left side elevational view thereof;

FIG. 5 is a right side elevational view thereof;

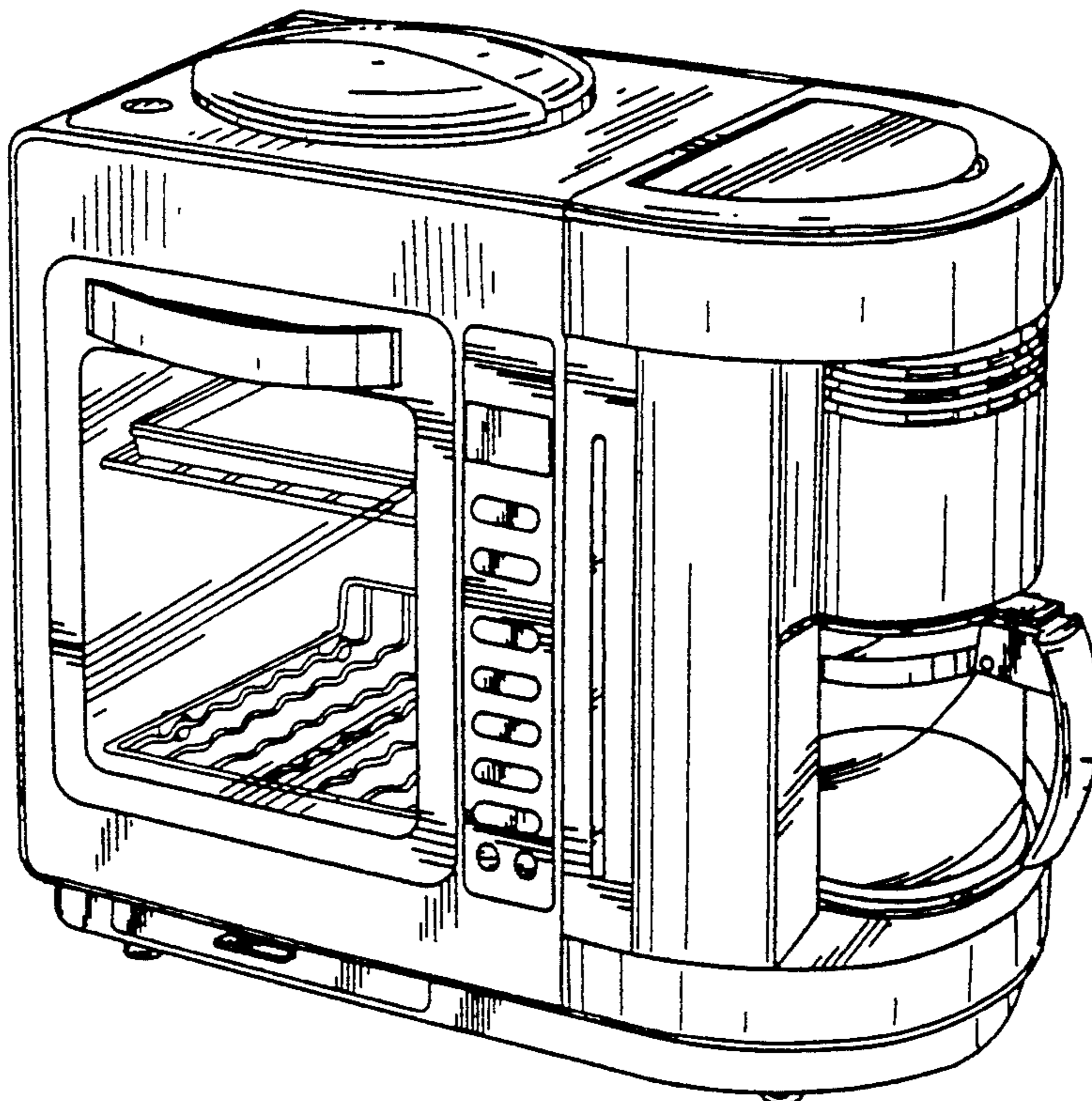
FIG. 6 is a top plan view thereof;

FIG. 7 is a bottom plan view thereof;

FIG. 8 is a perspective view thereof in which a coffee pot is removed for convenience of illustration;

FIG. 9 is a perspective view thereof in which an egg cooking plate is removed for convenience of illustration; and,

FIG. 10 is a front elevational view in which an egg cooking plate is removed for convenience of illustration.



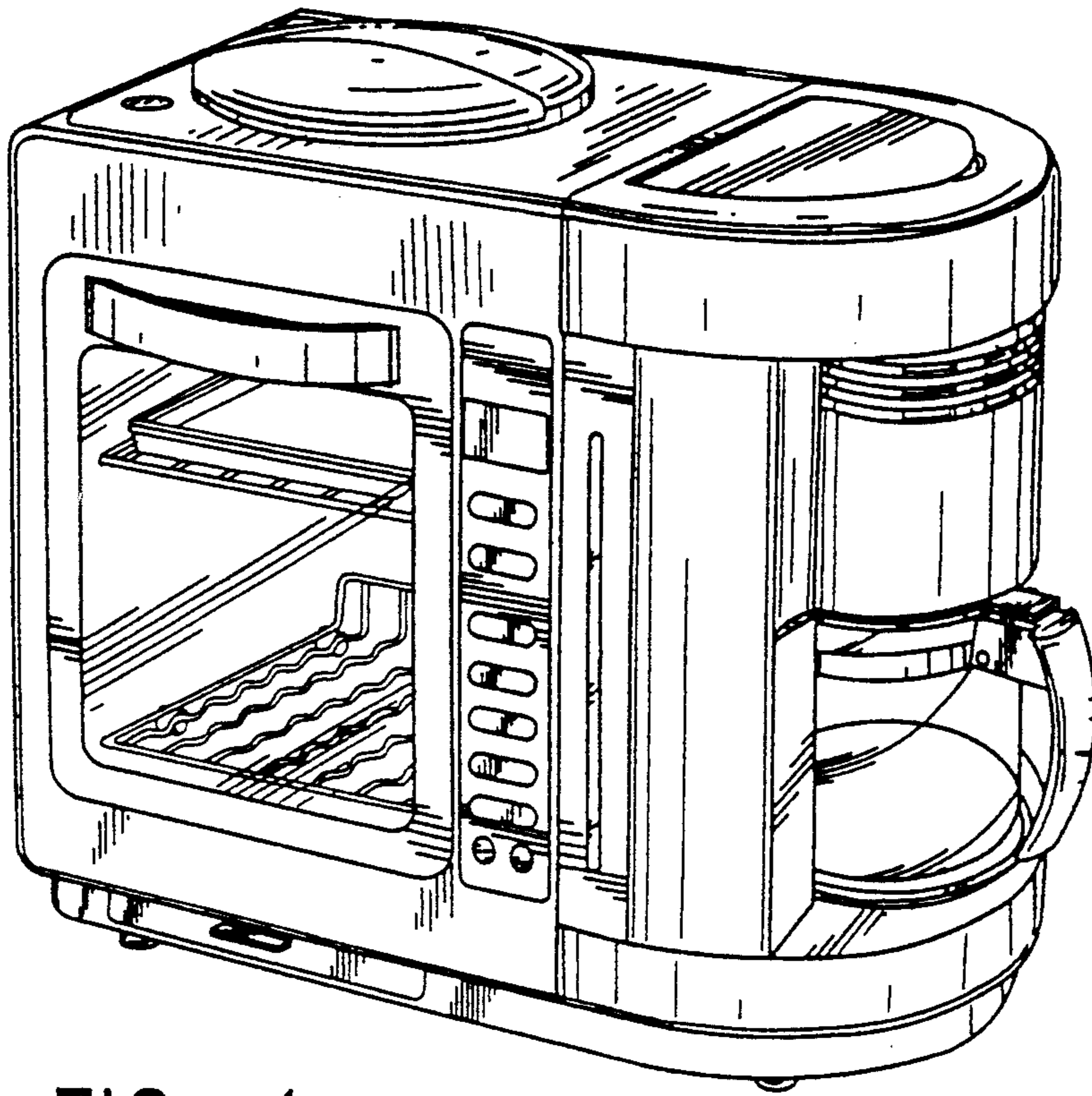


FIG. 1

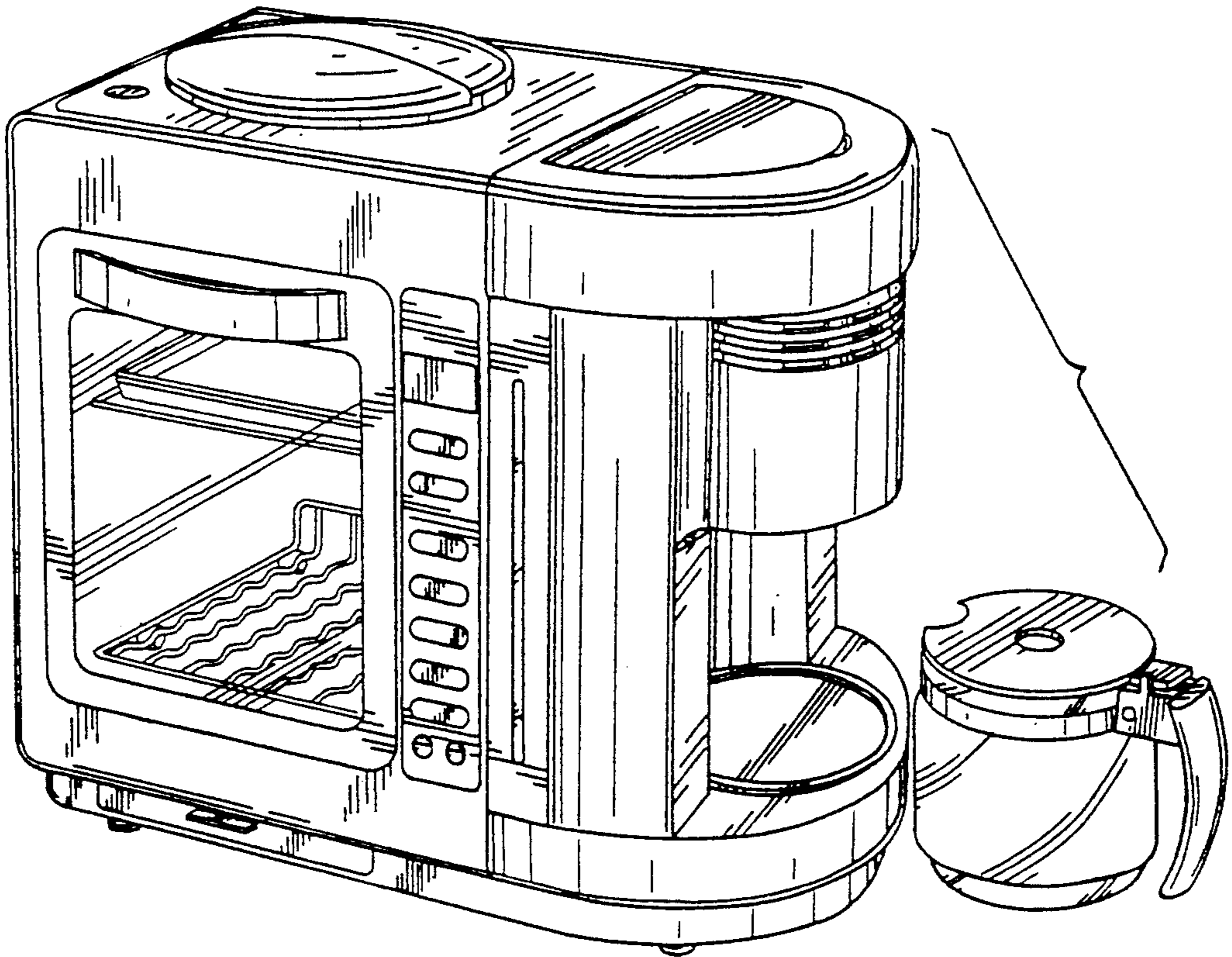


FIG. 8

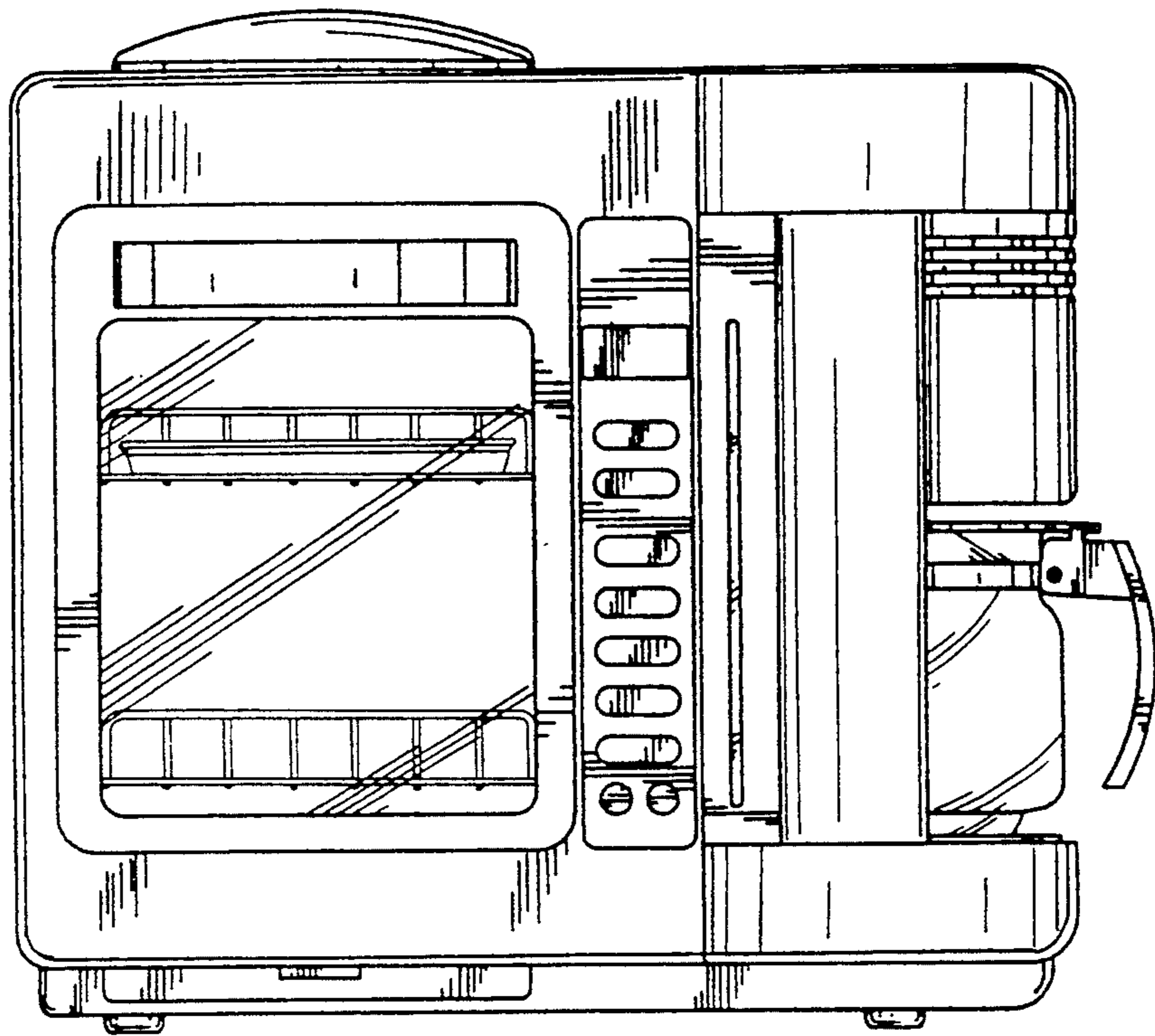


FIG. 2

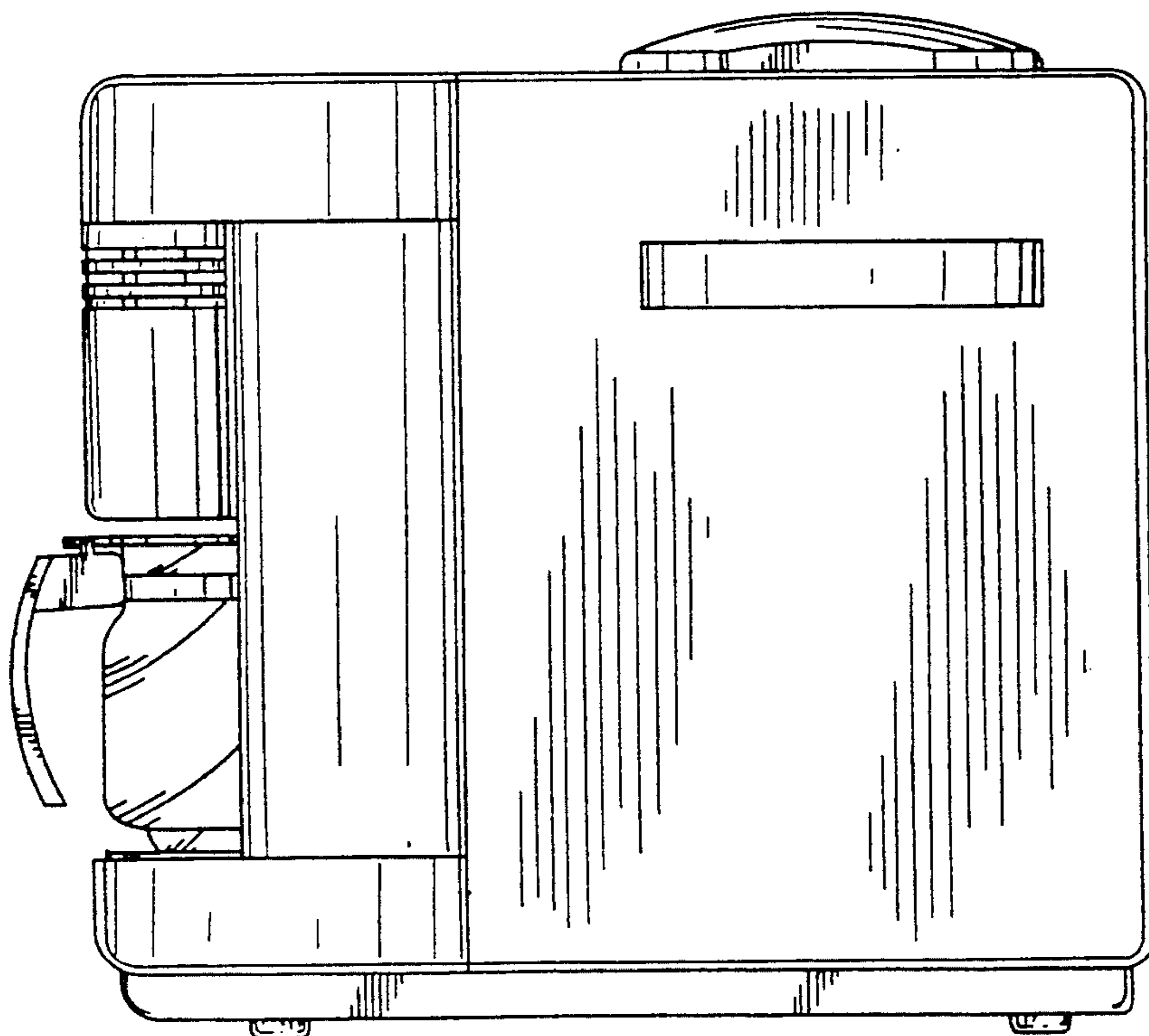


FIG. 3

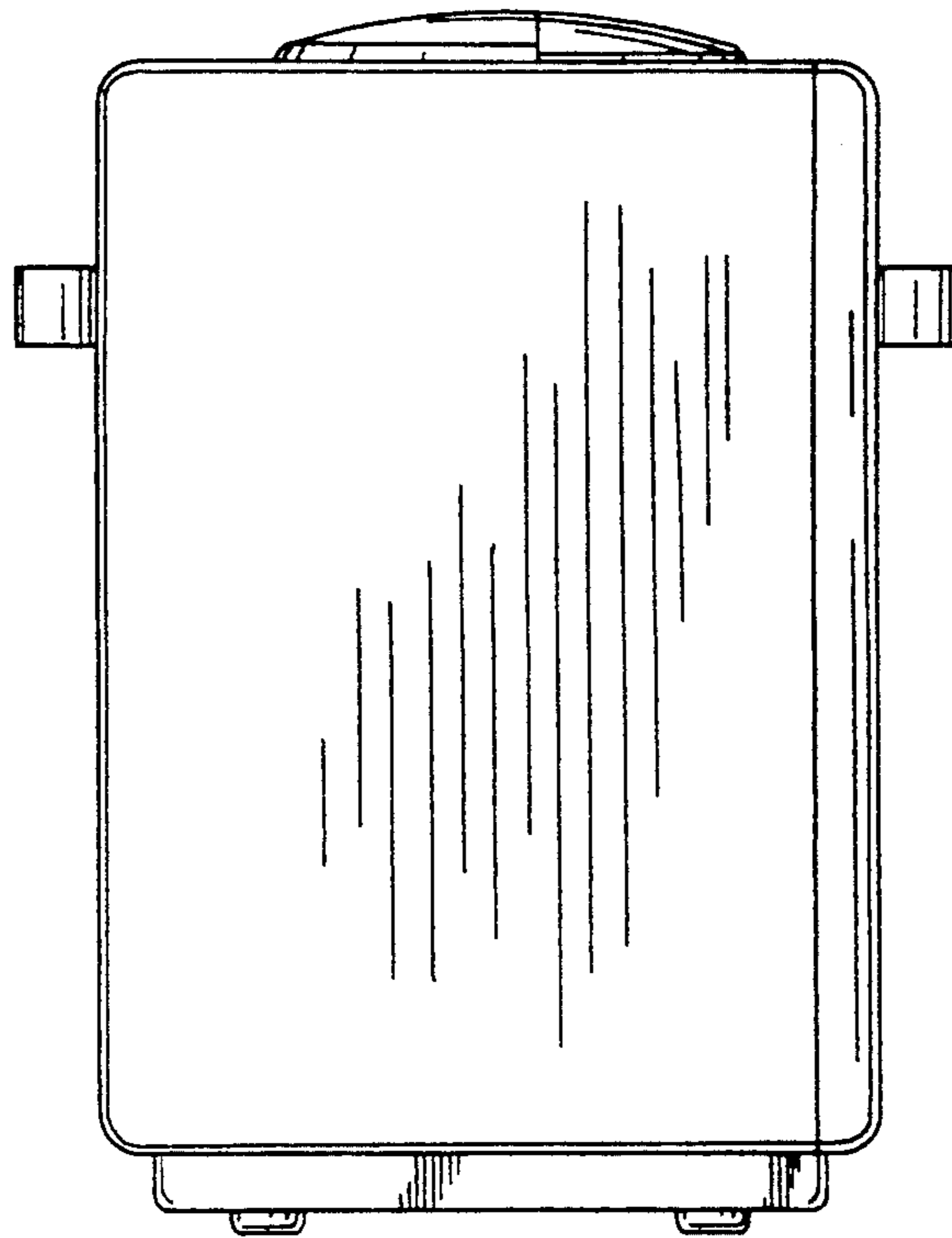


FIG. 4

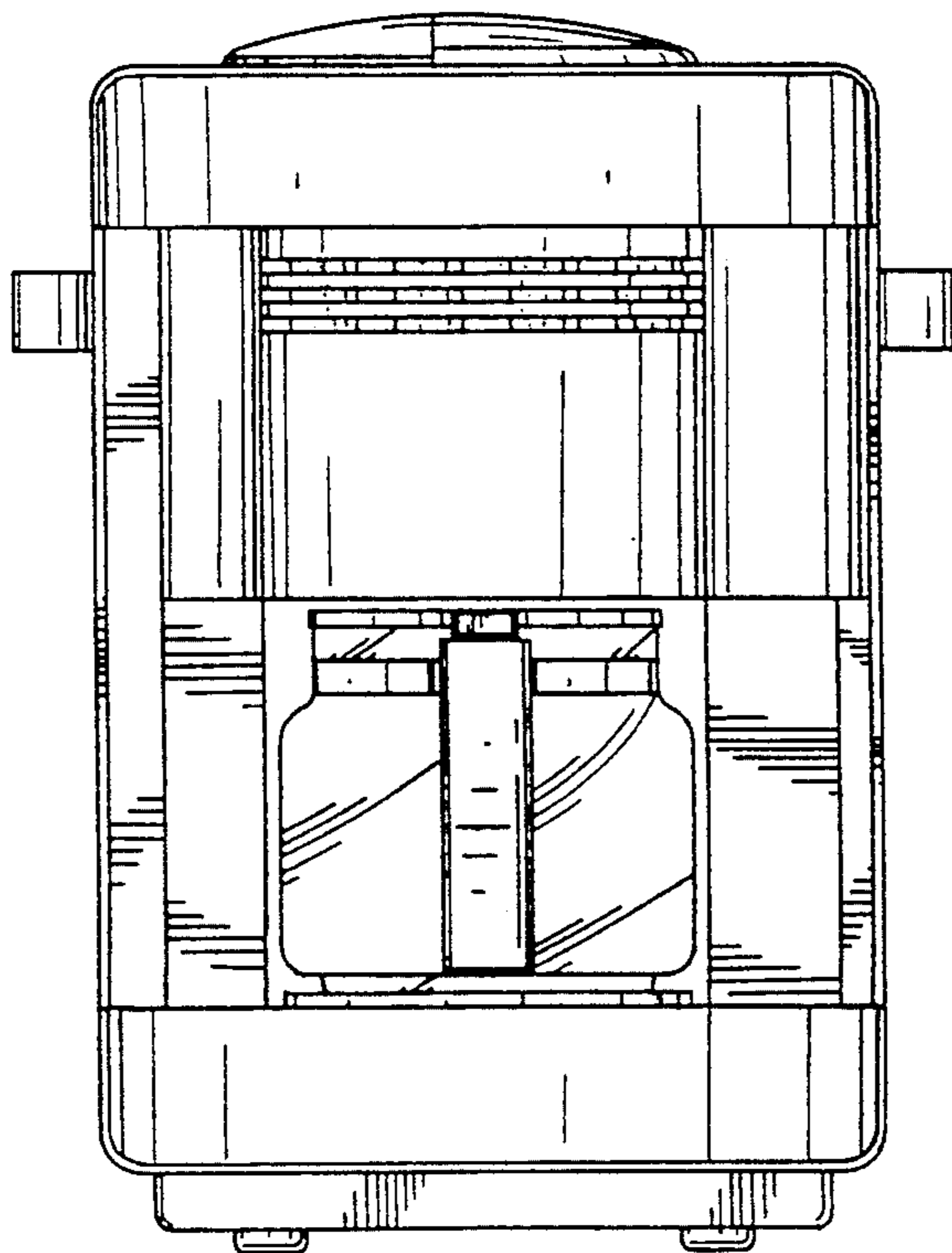


FIG. 5

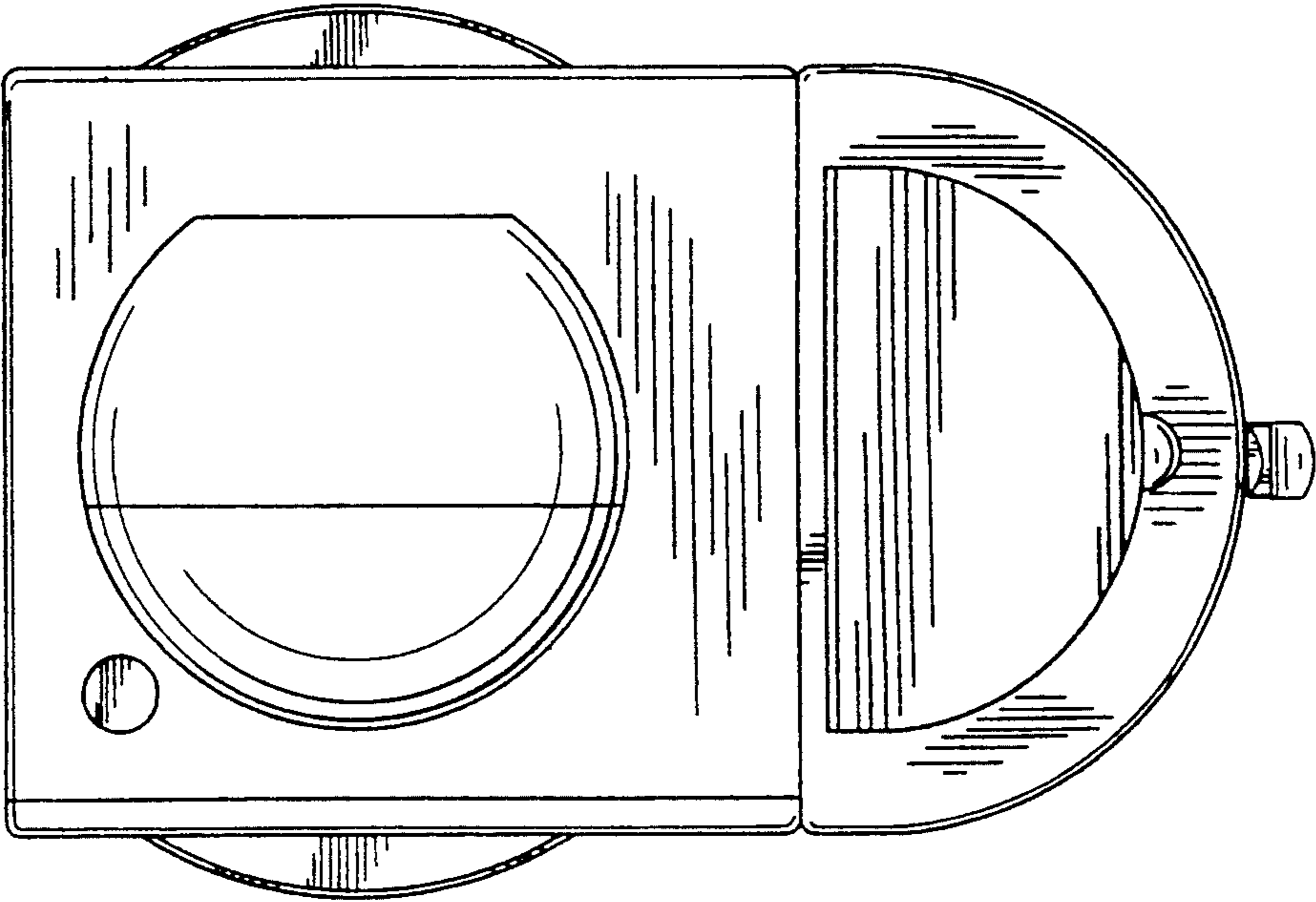


FIG. 6

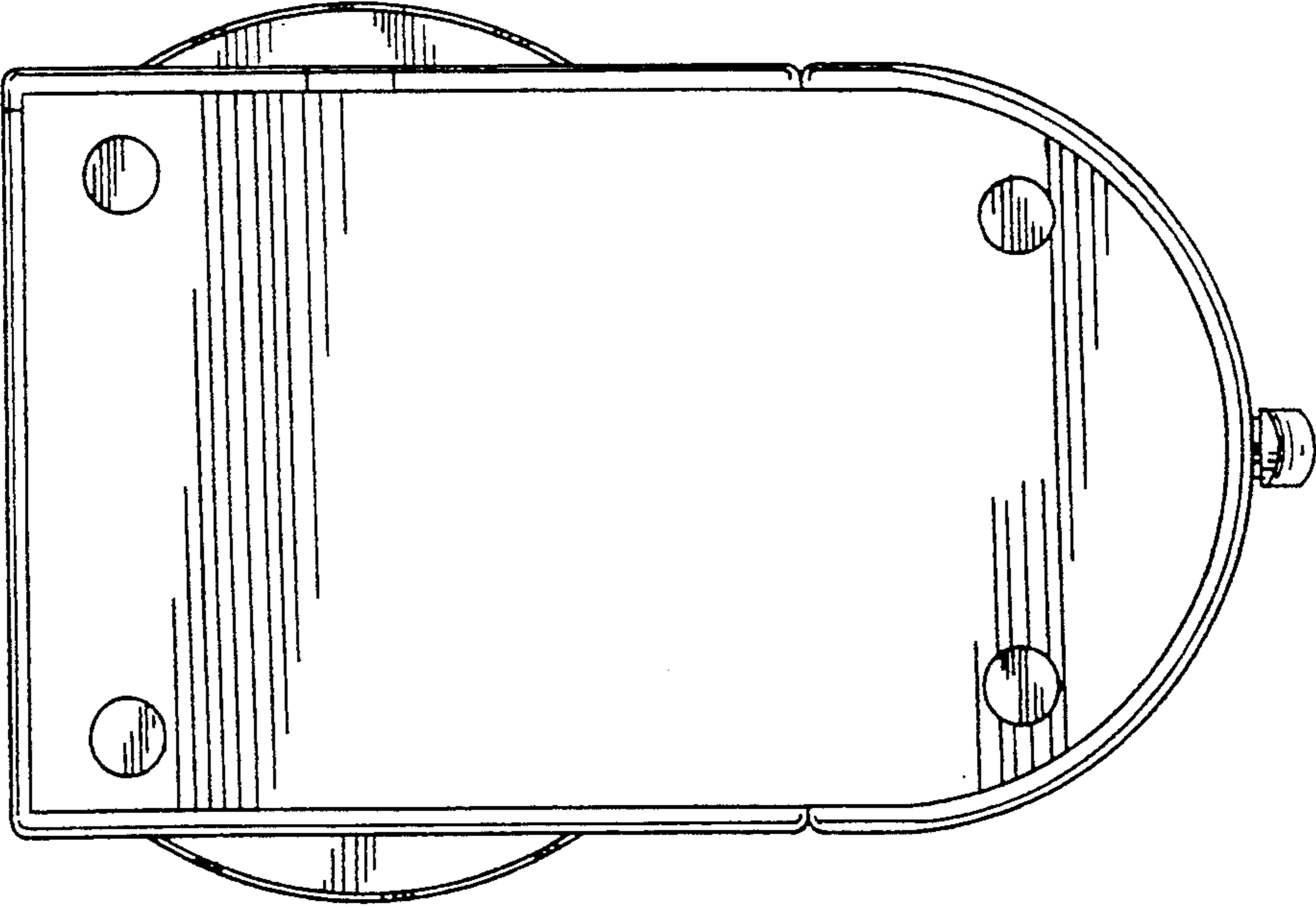


FIG. 7

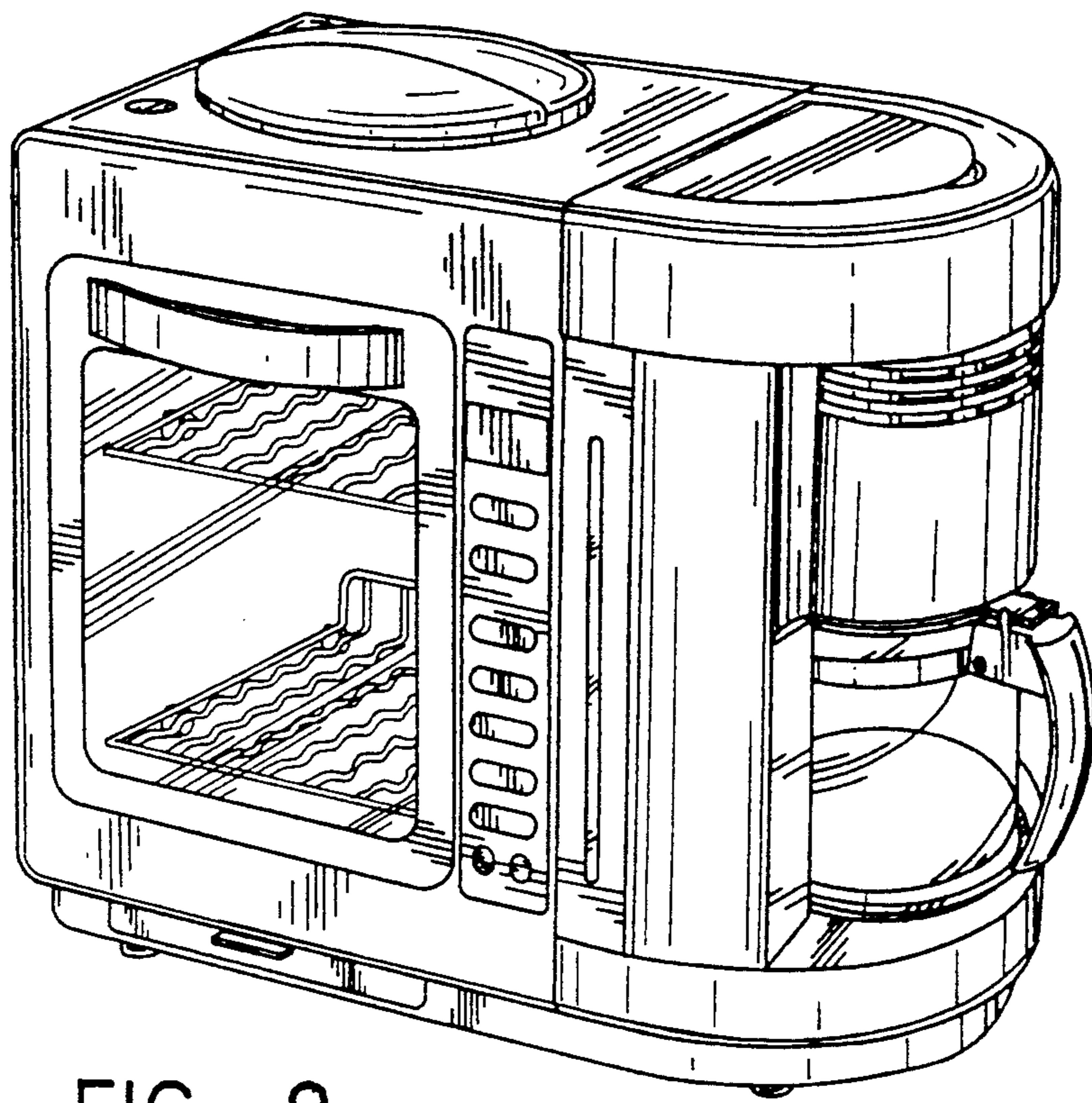


FIG. 9

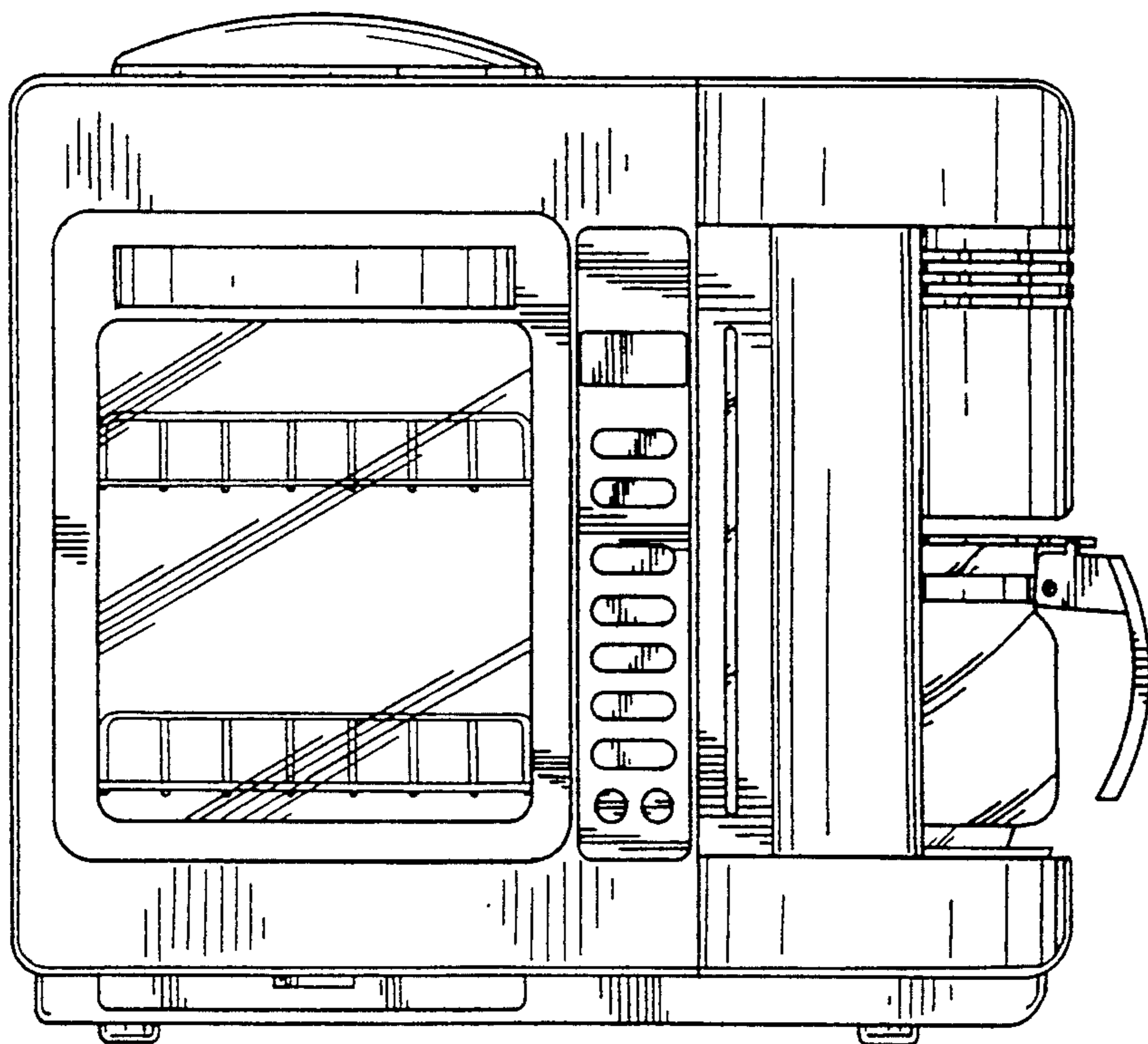


FIG. 10