



US00D340830S

United States Patent [19]

[11] Patent Number: **Des. 340,830**

Ancona et al.

[45] Date of Patent: **** Nov. 2, 1993**

[54] KETTLE

[75] Inventors: **Bruce Ancona; Jane Ancona**, both of New York, N.Y.

[73] Assignee: **M. Kamenstein, Inc.**, White Plains, N.Y.

[**] Term: **14 Years**

[21] Appl. No.: **732,961**

[22] Filed: **Jul. 24, 1991**

[52] U.S. Cl. **D7/302; D7/322**

[58] Field of Search **D7/302, 322, 300, 301, D7/303, 312, 316, 317, 318, 321; 99/306; 222/465.1, 470, 472, 475**

[56] **References Cited**

U.S. PATENT DOCUMENTS

D. 147,541	4/1946	Falk	44/21
D. 147,899	4/1946	Falk	44/22
D. 165,271	11/1951	De Marsa	44/21
D. 232,996	10/1974	Snyder	7/5
D. 253,573	12/1979	Edwards	D7/303
D. 274,595	7/1984	LeBowitz	D7/322
673,371	4/1901	Thorp	D7/302

OTHER PUBLICATIONS

Good Morning Breakfast Teapot, Gifts & Decorative Accessories Jan. 1988.

Primary Examiner—Alan P. Douglas

Assistant Examiner—M. N. Pandozzi

Attorney, Agent, or Firm—James A. Drobile; Robert A. Koons, Jr.; Robert E. Rosenthal

[57] **CLAIM**

The ornamental design for a kettle, as shown and described.

DESCRIPTION

FIG. 1 is a front elevational view of a kettle, showing our new design;

FIG. 2 is a rear elevational view thereof;

FIG. 3 is a right side elevational view the left side elevational view being a mirror image thereof;

FIG. 4 is a top plan view thereof;

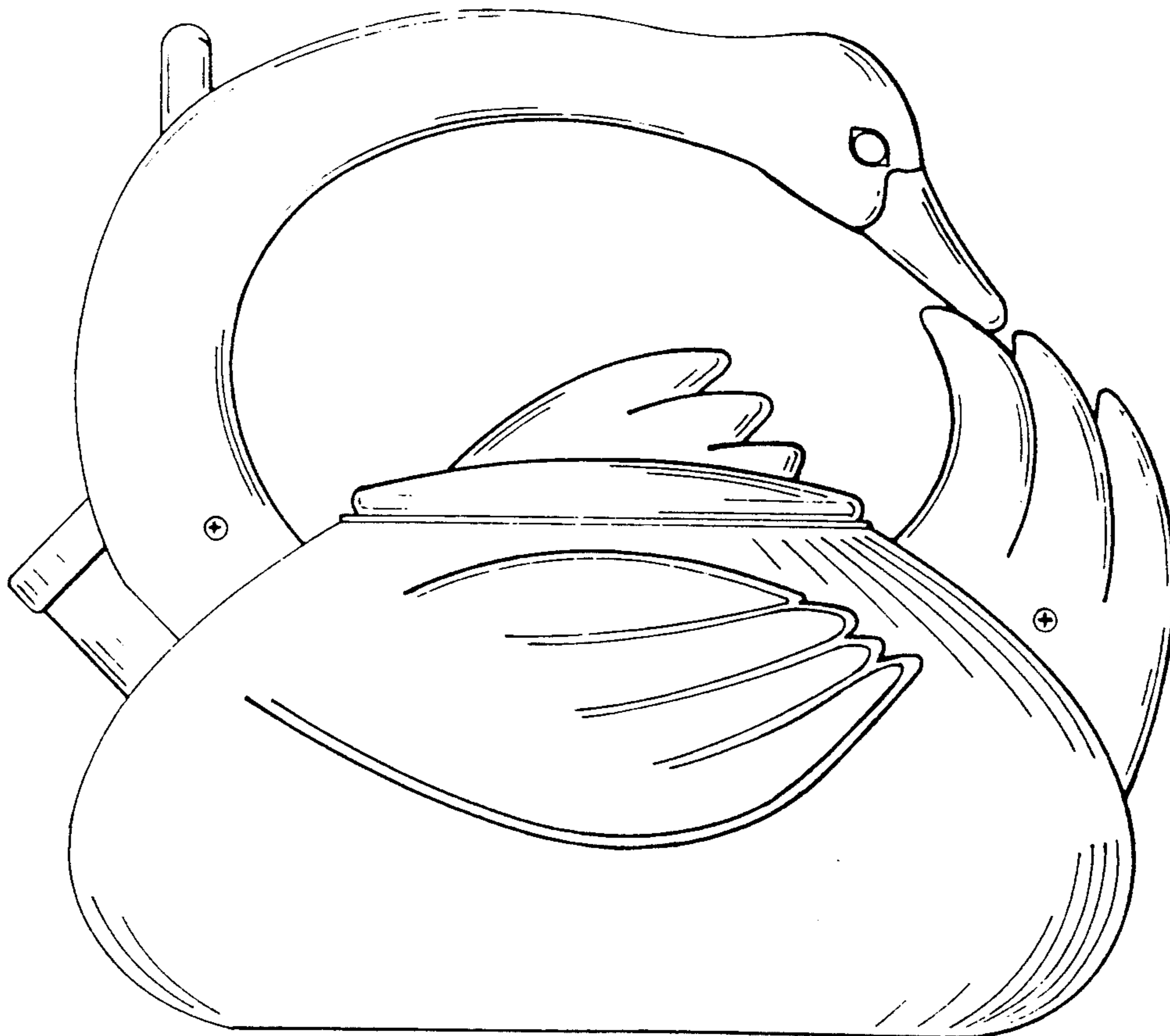
FIG. 5 is a bottom plan view thereof;

FIG. 6 is a front elevational view of the lid portion of the kettle shown in FIG. 1, which is shown here separately for clarity of illustration;

FIG. 7 is a rear elevational view thereof;

FIG. 8 is a top plan view thereof; and,

FIG. 9 is a right side elevational view, the left side elevational view being a mirror image thereof.



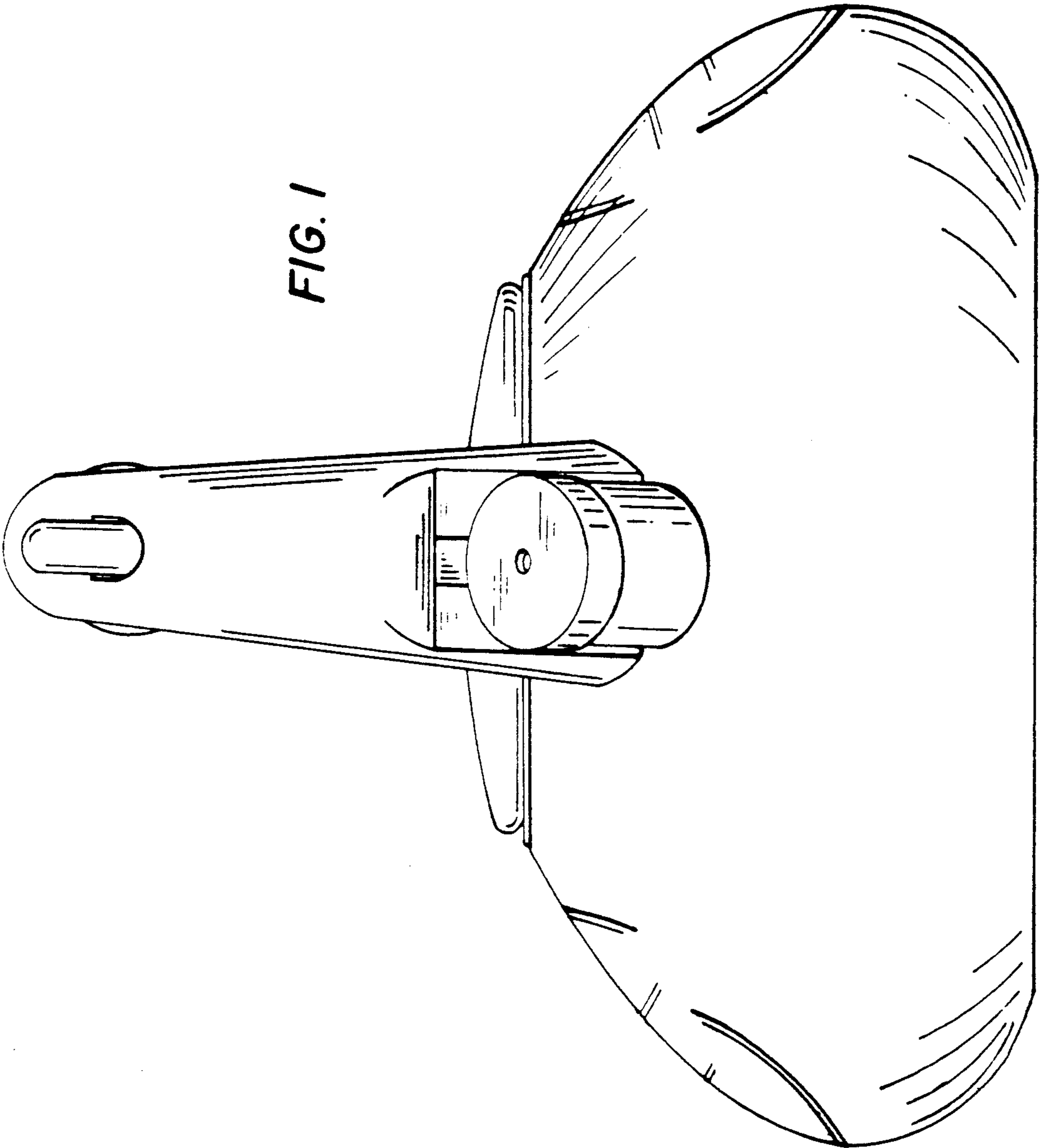


FIG. 1

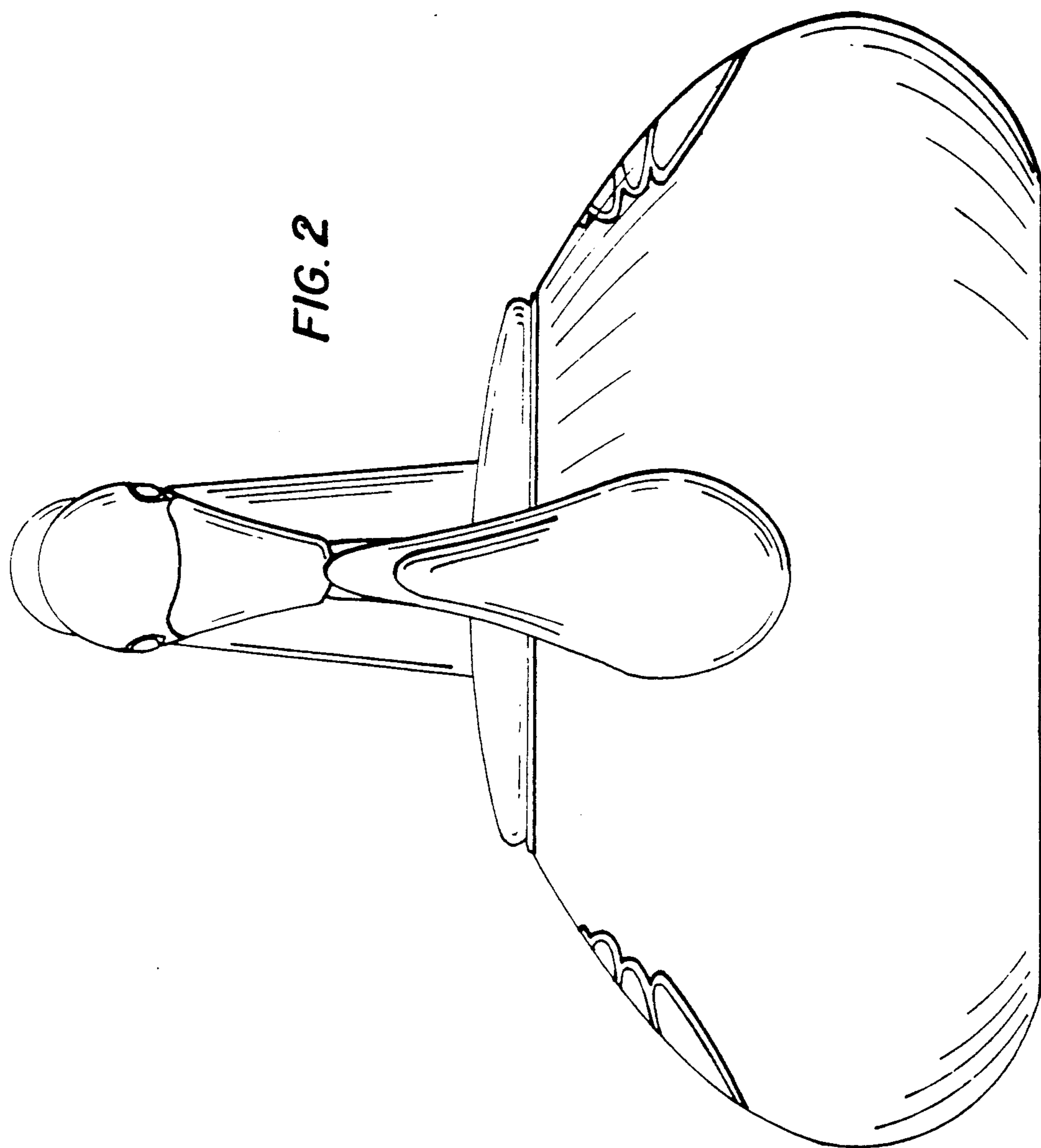


FIG. 2

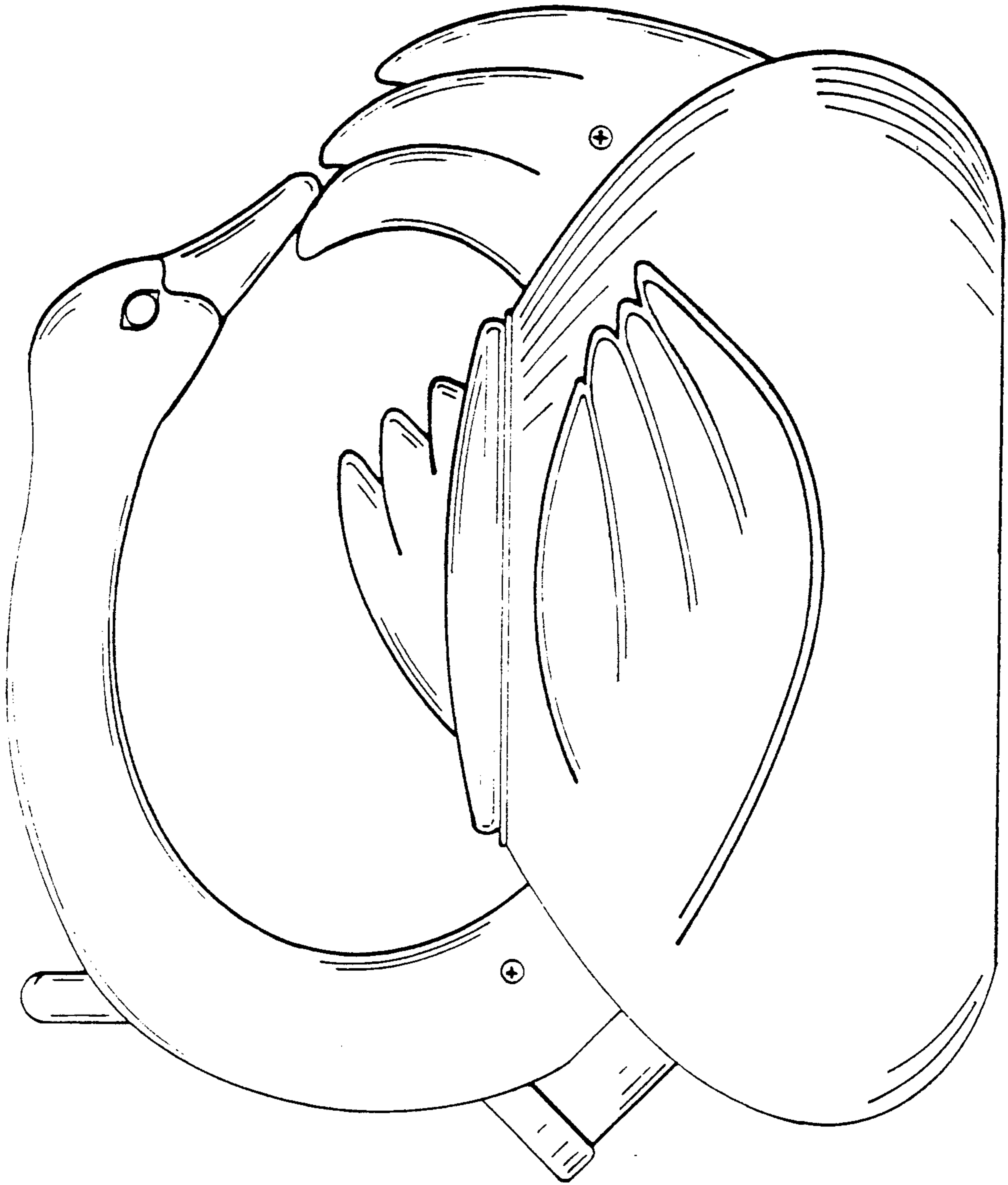


FIG. 3

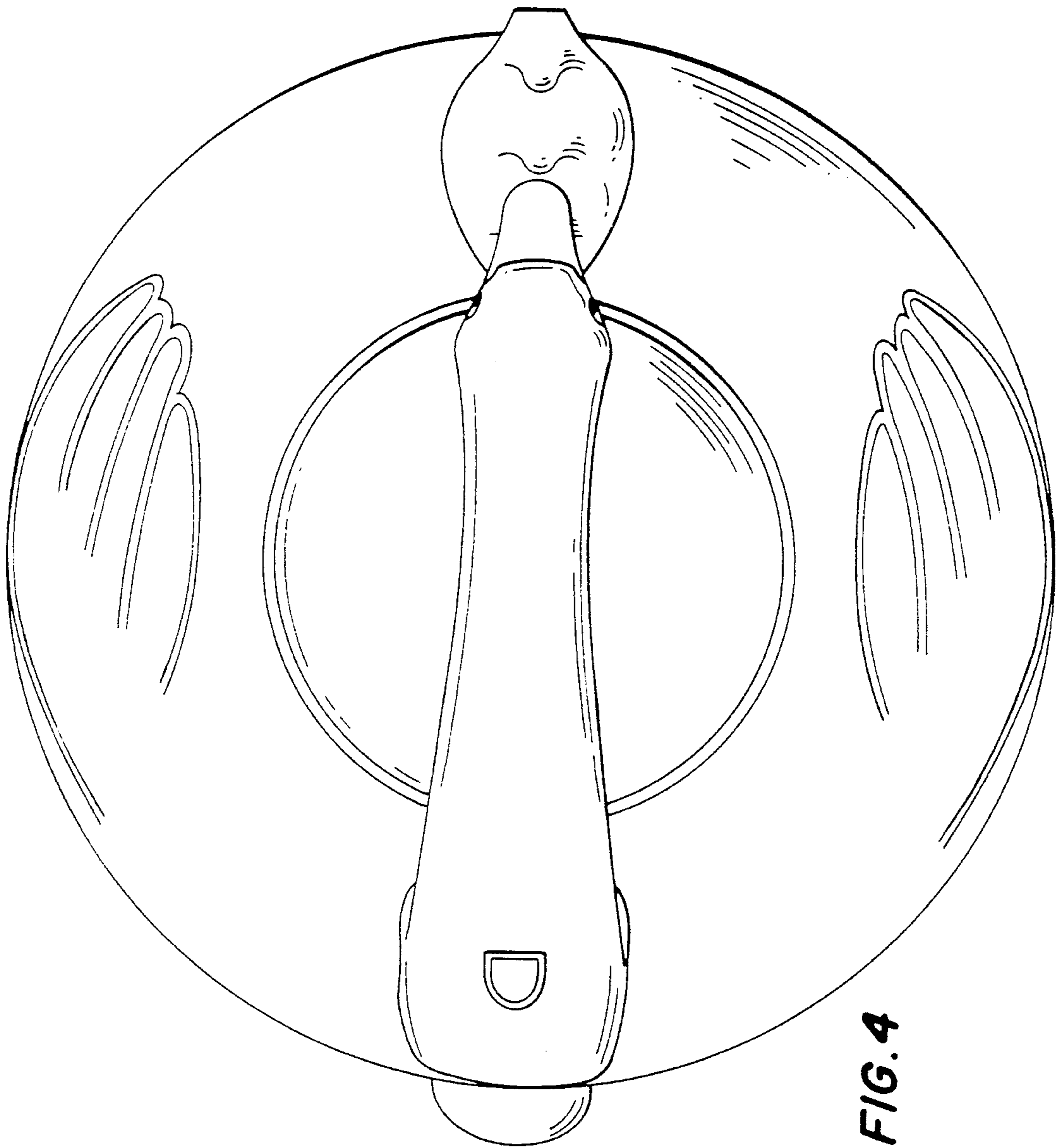
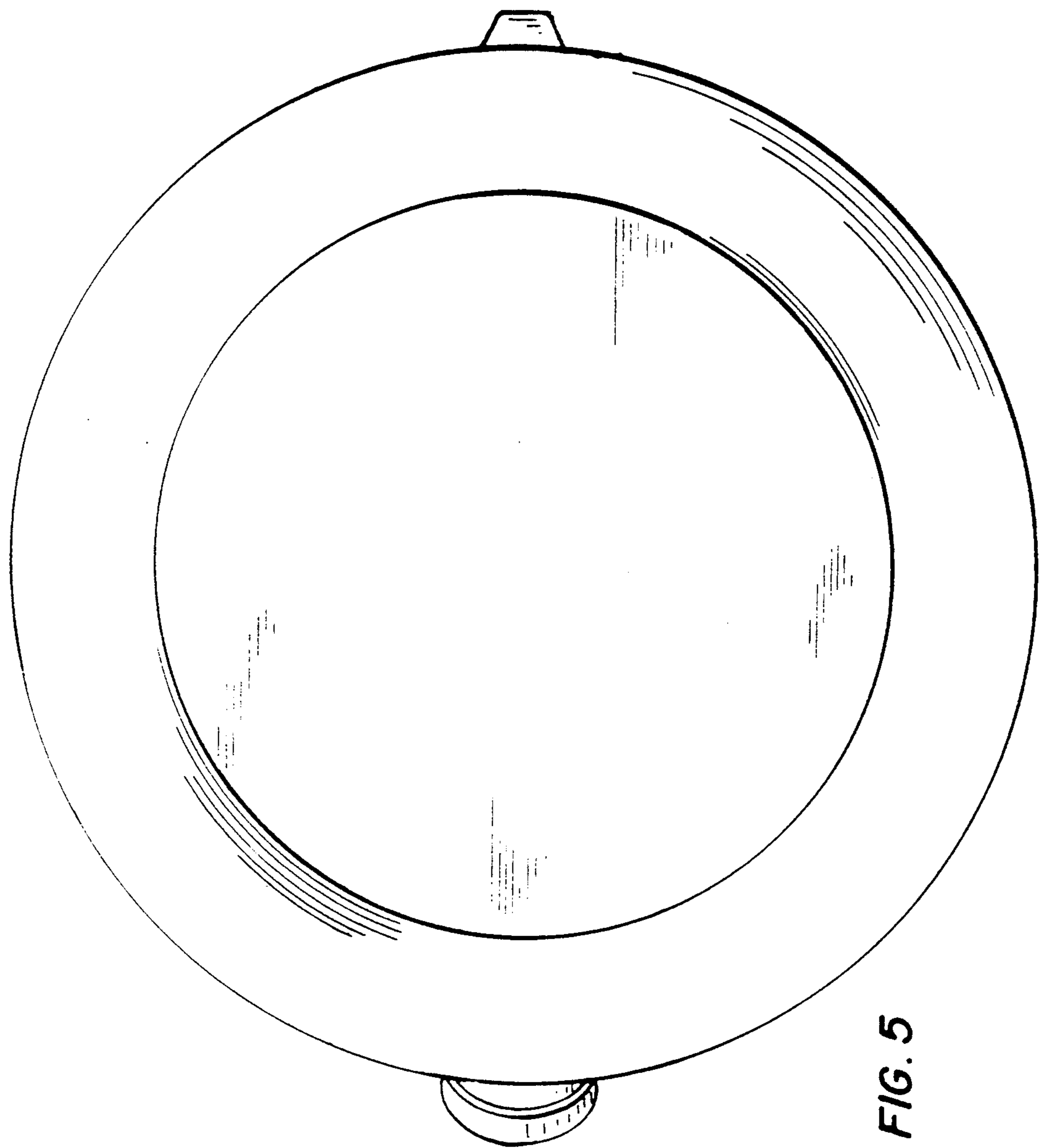


FIG. 4



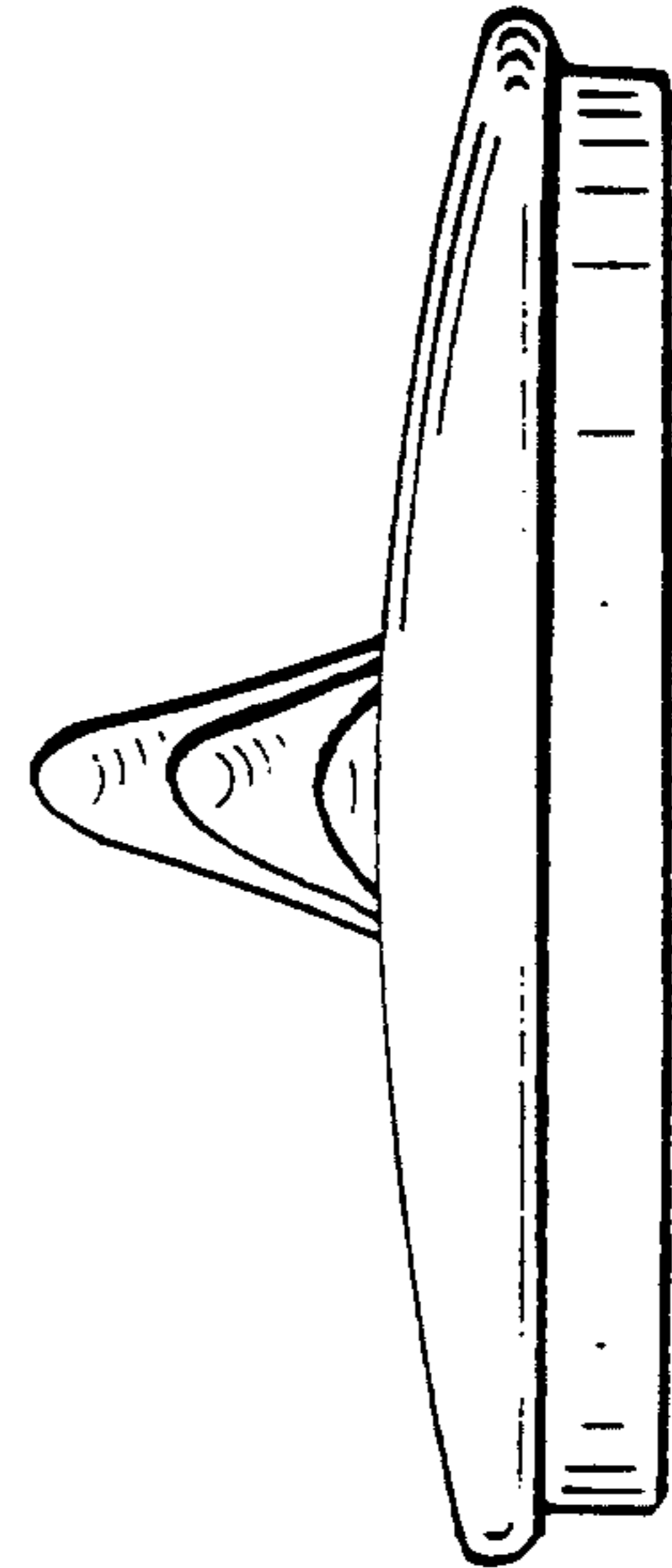
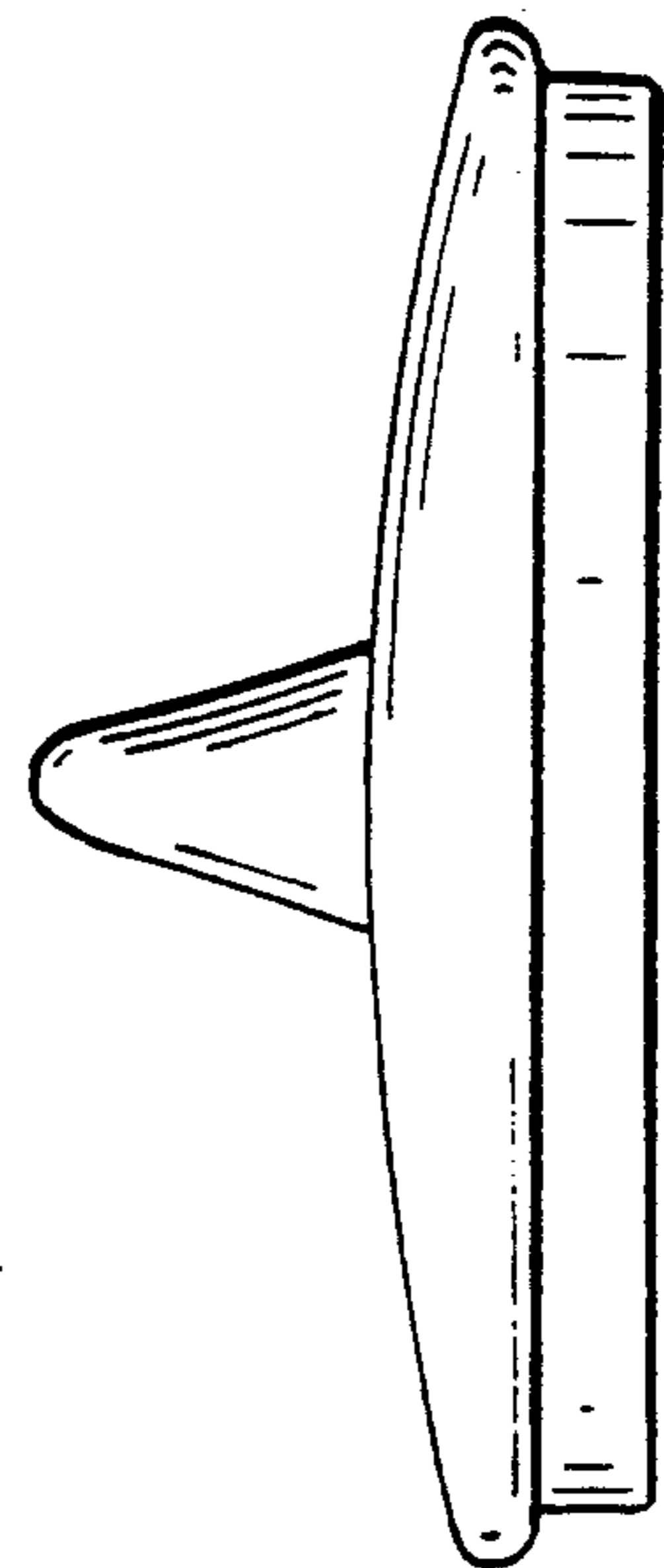
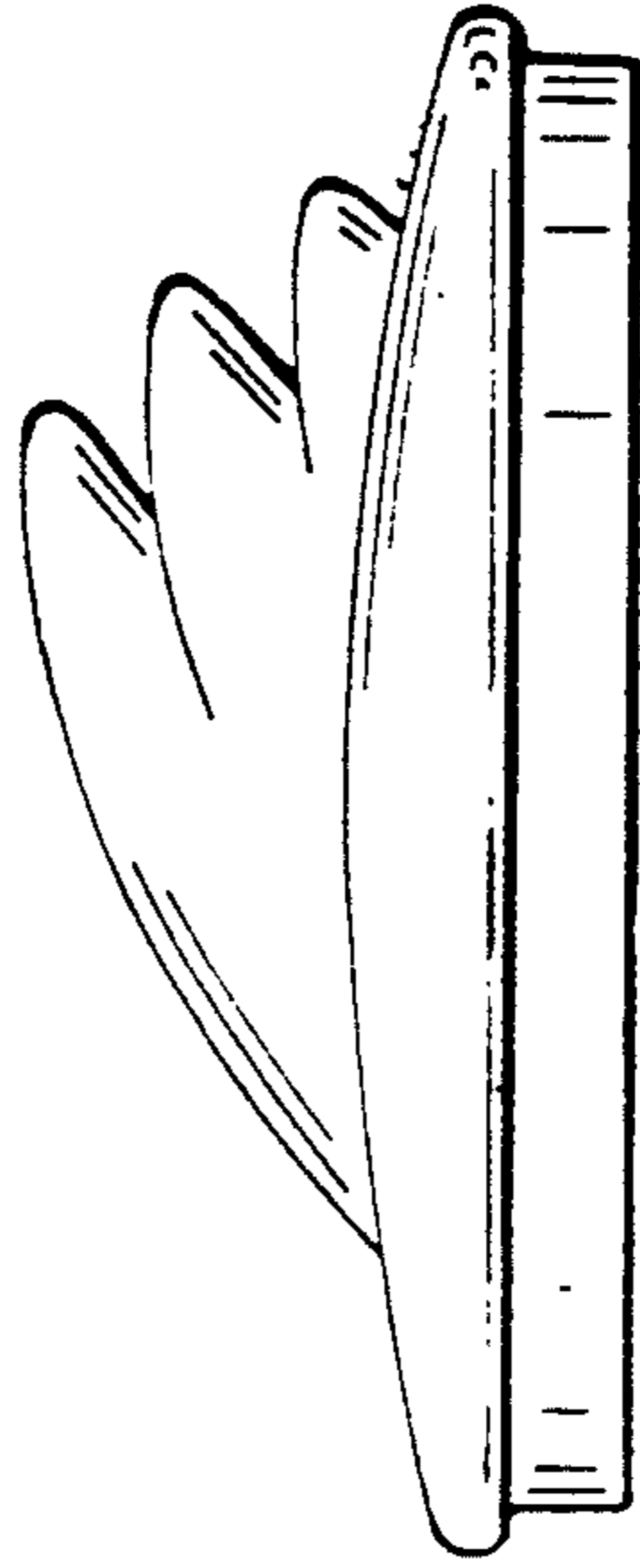
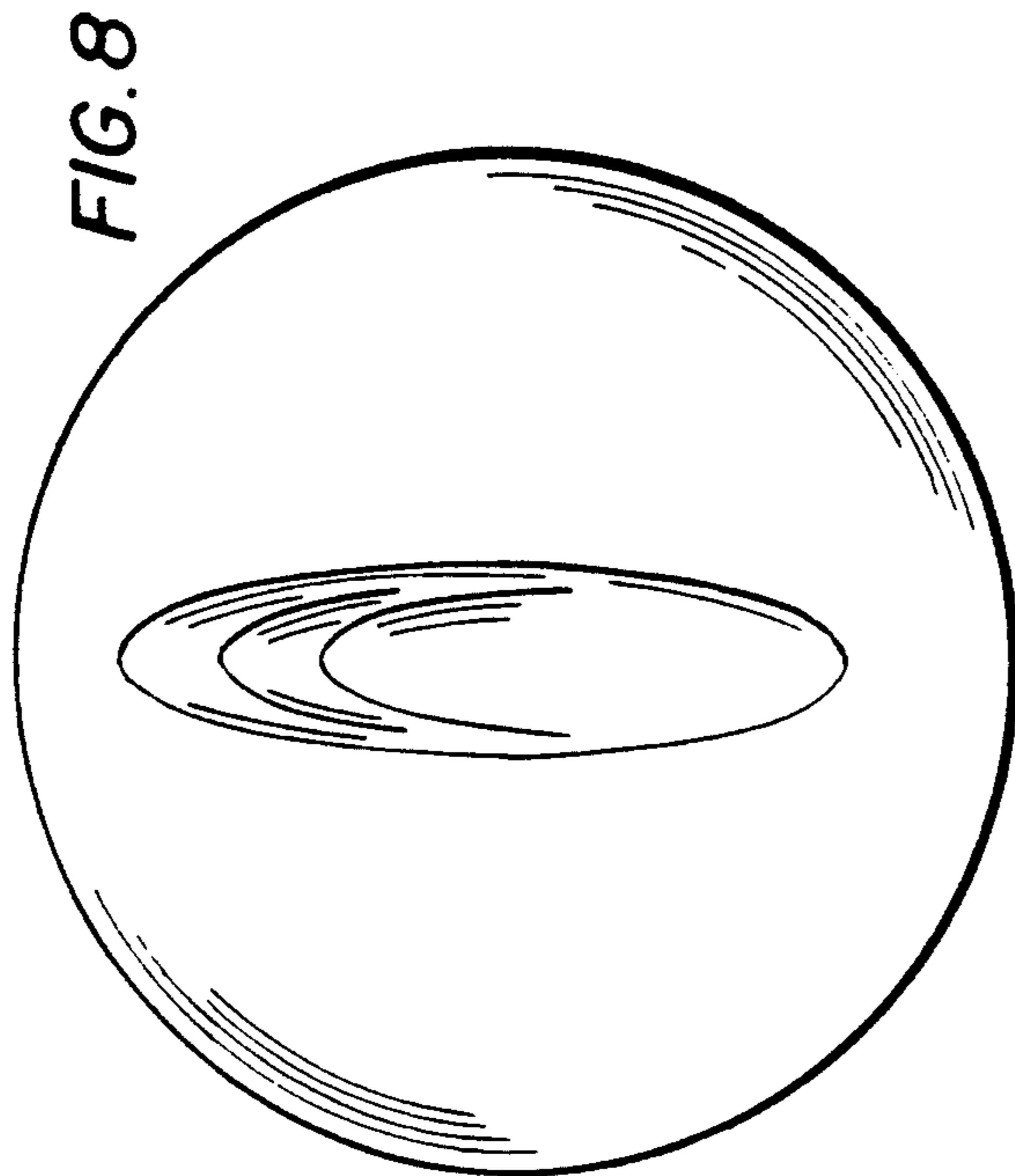


FIG. 6

FIG. 7

FIG. 9