



US00D340826S

United States Patent [19]

[11] Patent Number: Des. 340,826

Deom

[45] Date of Patent: ** Nov. 2, 1993

[54] WALL SUPPORT FOR A RECTANGULAR BOX

[75] Inventor: Guy Deom, Laval, Canada

[73] Assignee: Deom Design Inc., Laval, Canada

[**] Term: 14 Years

[21] Appl. No.: 743,573

[22] Filed: Aug. 9, 1991

[30] Foreign Application Priority Data

Mar. 6, 1991 [CA] Canada 06-31-91-9

[52] U.S. Cl. D6/567

[58] Field of Search D6/512, 553, 567, 572-574; D8/354, 380; 211/13, 35, 32, 41, 71-72, 75, 86-88, 90, 126, 134; 248/235, 241, 274

[56] References Cited

U.S. PATENT DOCUMENTS

2,818,180 12/1957 Keene 108/25

4,155,312 5/1979 Thorkildson D6/574 X

4,448,312 5/1984 Schuman 108/25 X

4,480,745 11/1984 Loge et al. 211/71 X

4,501,202 2/1985 Corazza 108/28 X

Primary Examiner—Brian N. Vinson
Attorney, Agent, or Firm—ROBIC

[57] CLAIM

The ornamental design for a wall support for a rectangular box, as shown and described.

DESCRIPTION

FIG. 1 is a front perspective view of a wall support for a rectangular box showing my new design;

FIG. 2 is a left side elevational view thereof, the right side view being a mirror copy of this view;

FIG. 3 is a front elevational view thereof;

FIG. 4 is a top plan view thereof;

FIG. 5 is a bottom plan view thereof;

FIG. 6 is a front perspective view of a first variant of my design;

FIG. 7 is a left side elevational view of this first variant, the right side elevational view being a mirror copy of this view;

FIG. 8 is a front elevational view of this first variant;

FIG. 9 is a top plan view of this first variant;

FIG. 10 is a bottom plan view of this first variant;

FIG. 11 is a front perspective view of a second variant of my design;

FIG. 12 is a left side elevational view of this second variant, the right side elevational view being a mirror copy of this view;

FIG. 13 is a front elevational view of this second variant;

FIG. 14 is a top view of this second variant;

FIG. 15 is a bottom view of this second variant;

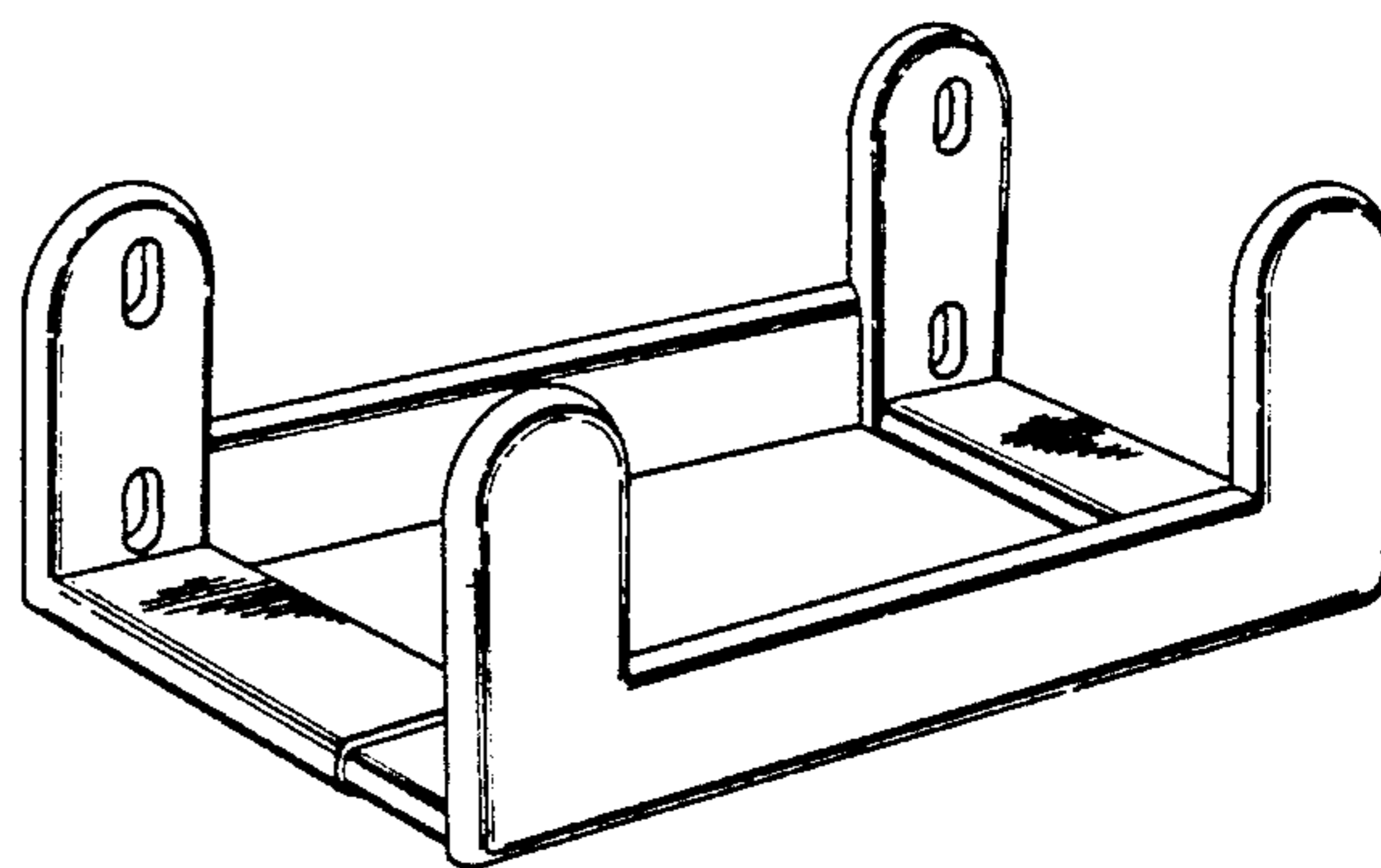
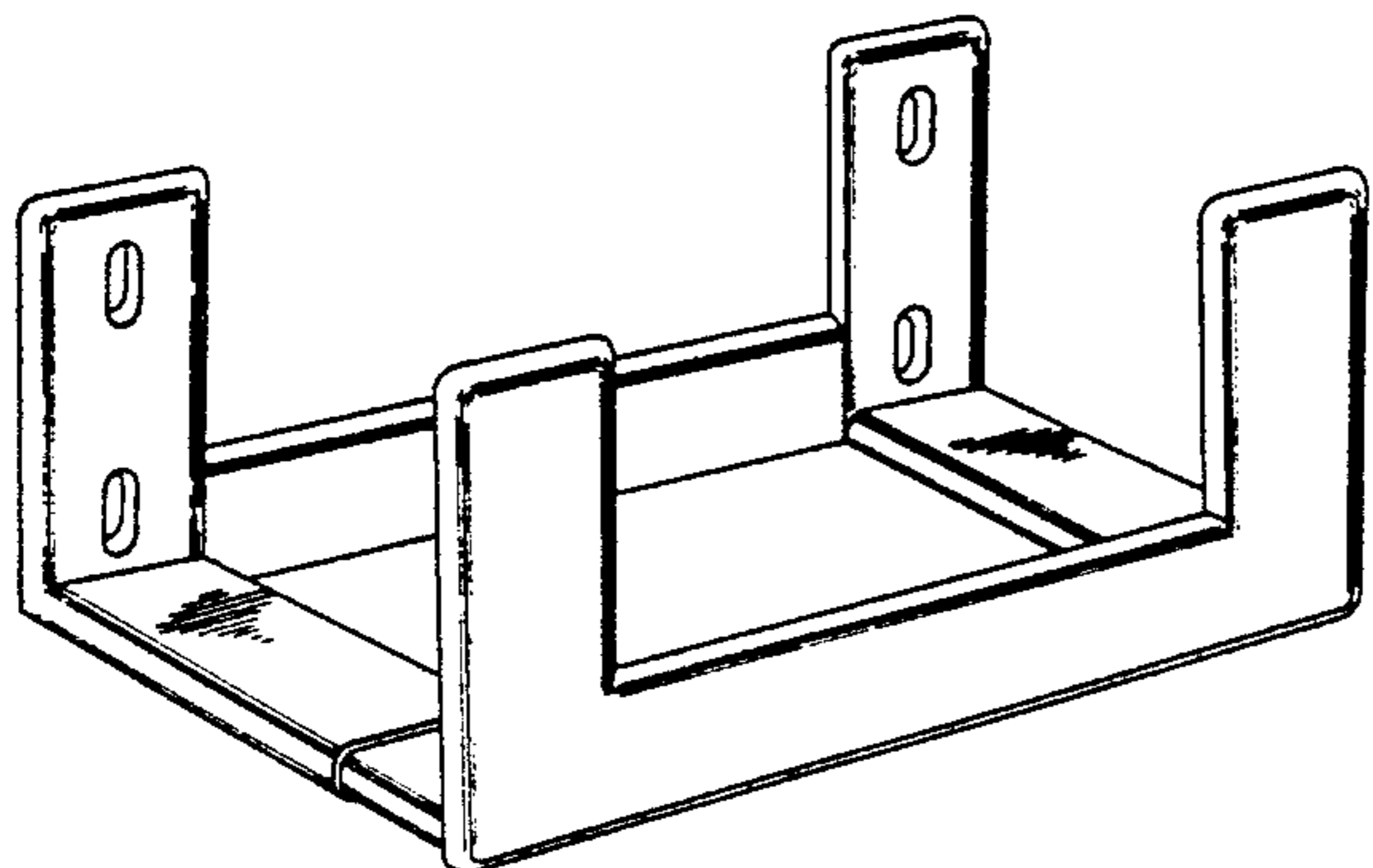
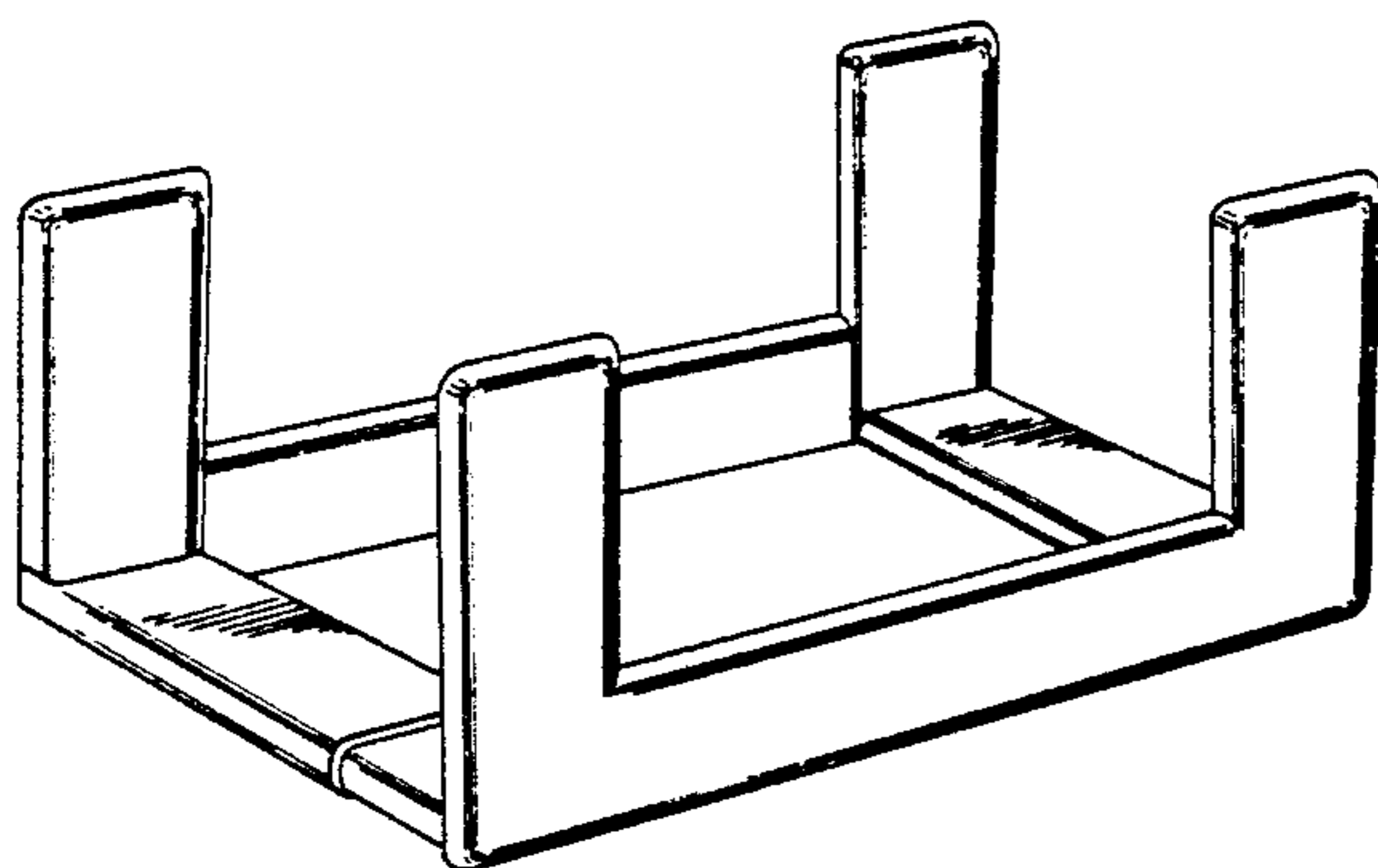
FIG. 16 is a front perspective view of a third variant of my design;

FIG. 17 is a left side elevational view of this third variant, the right side elevational view being a mirror copy of this view;

FIG. 18 is a front elevational view of this third variant;

FIG. 19 is a top view of this third variant; and,

FIG. 20 is a bottom plan view of this third variant.



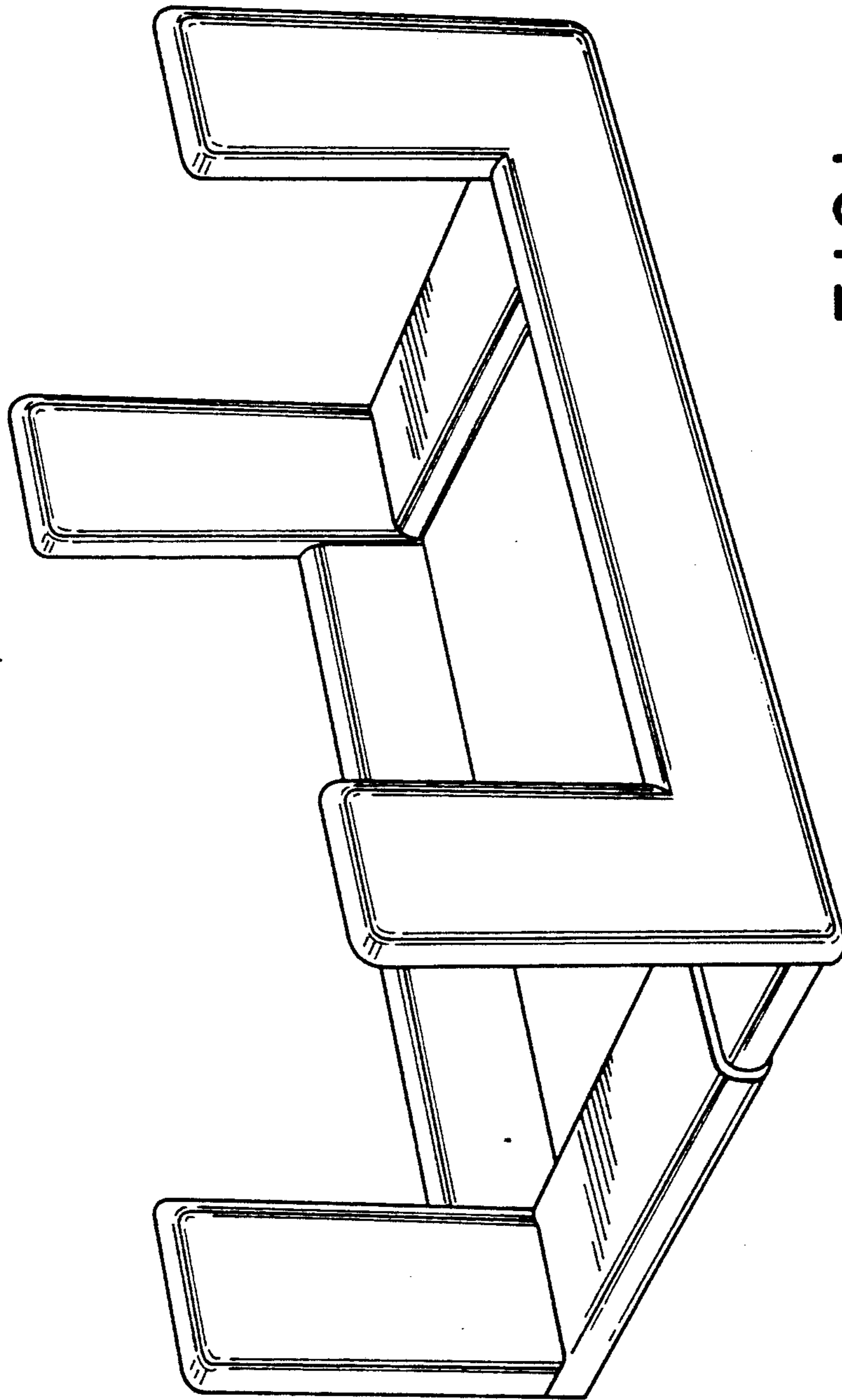


FIG. 1

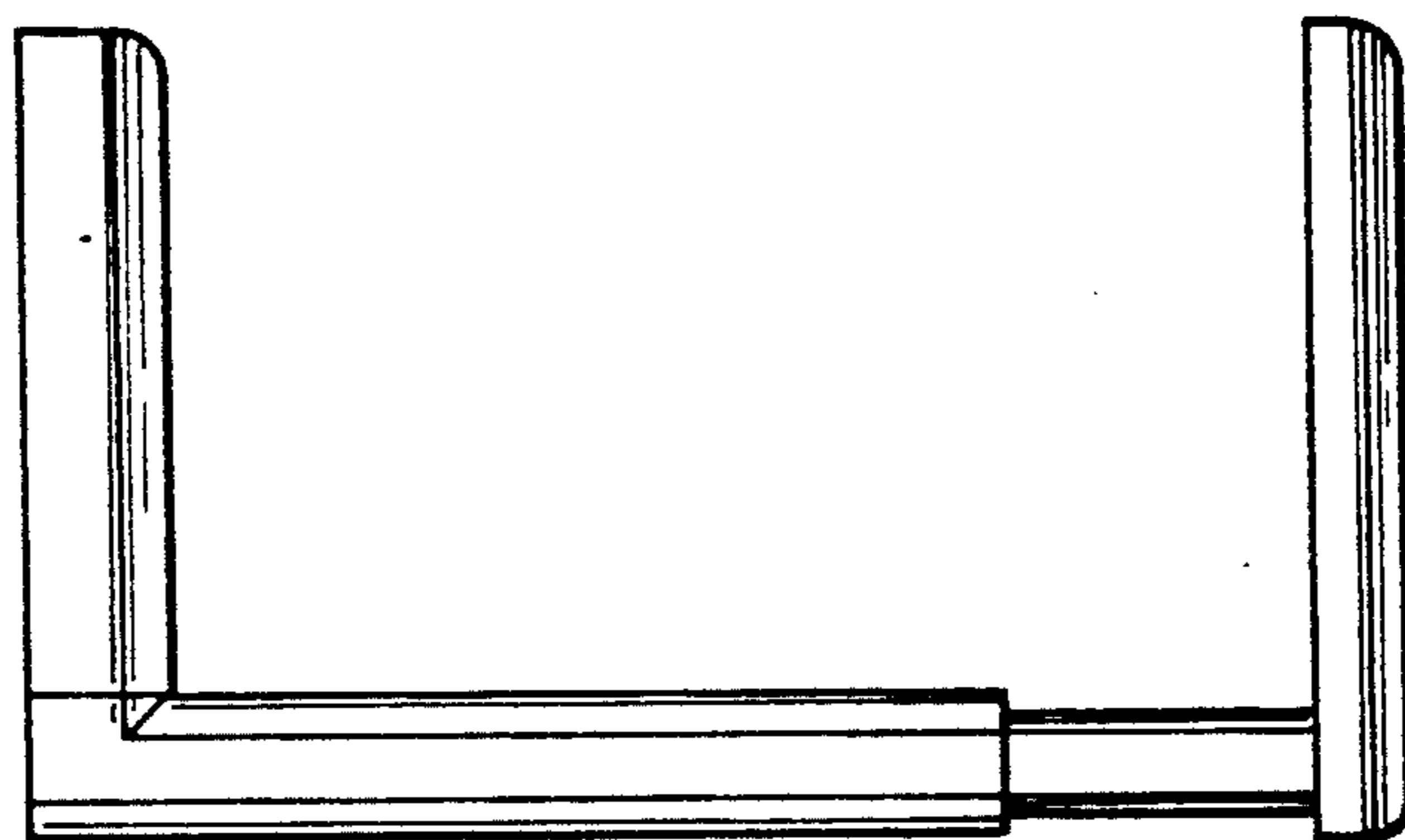


FIG. 2

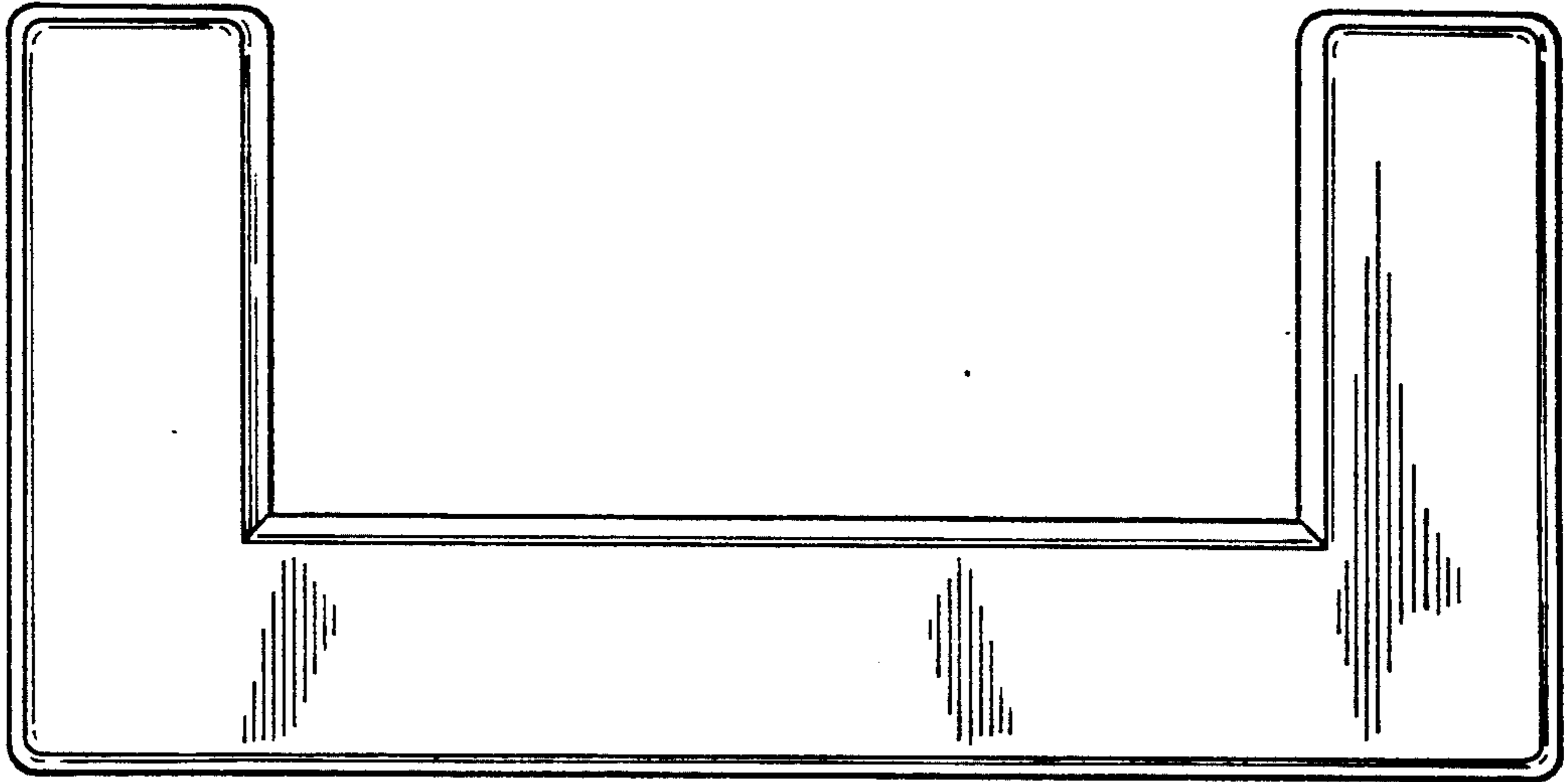


FIG. 3

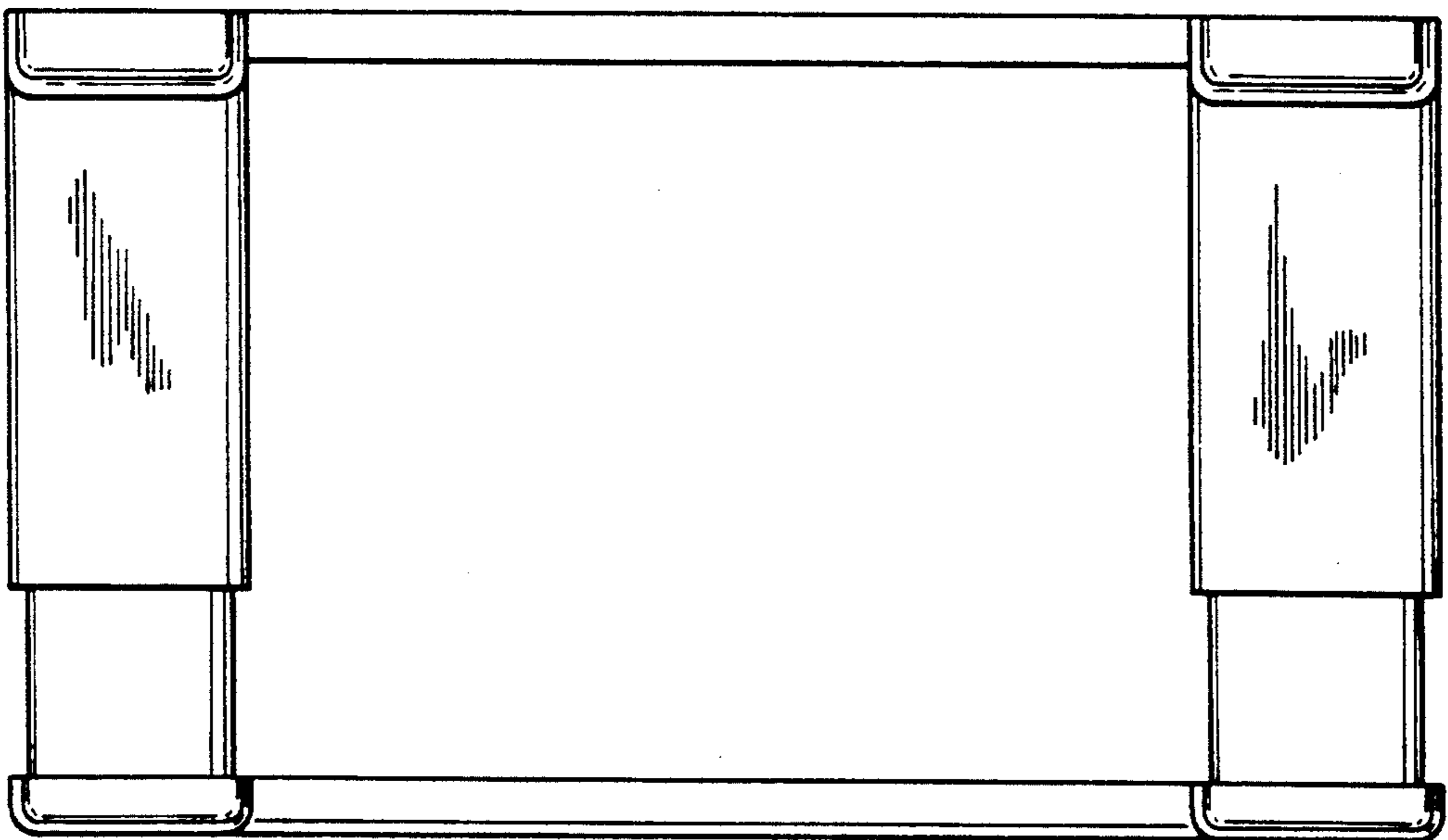


FIG. 4

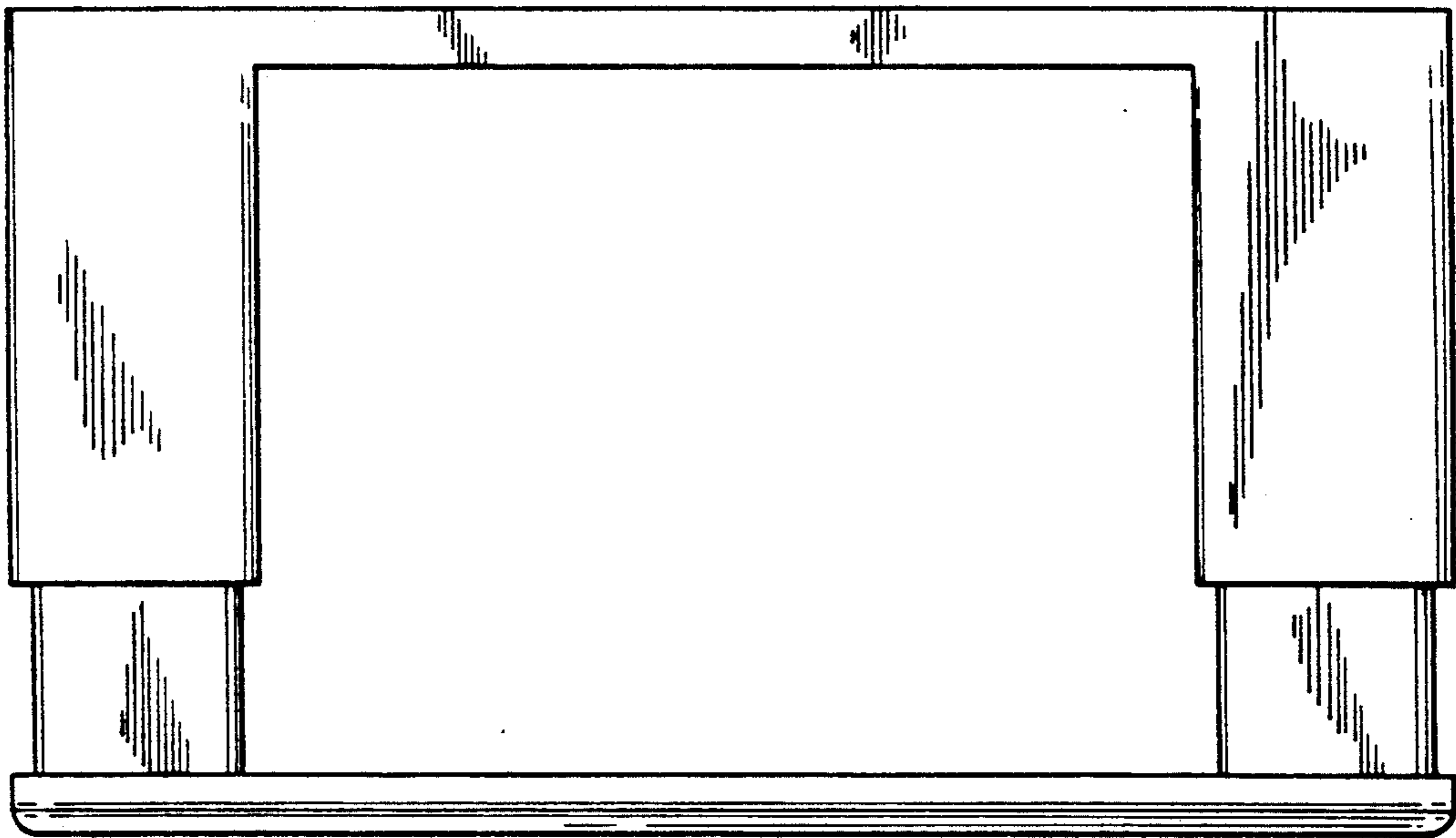


FIG.5

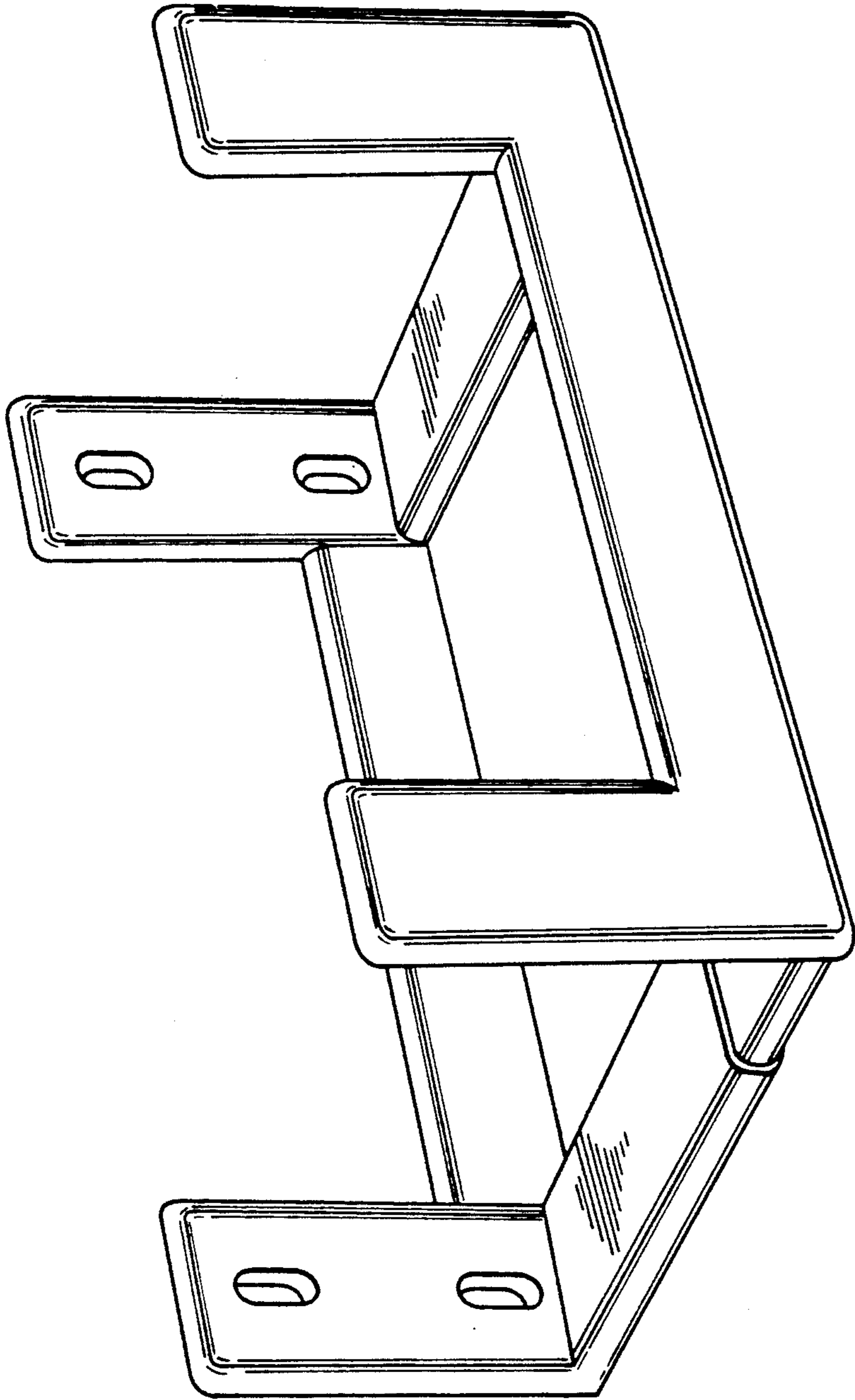


FIG.6

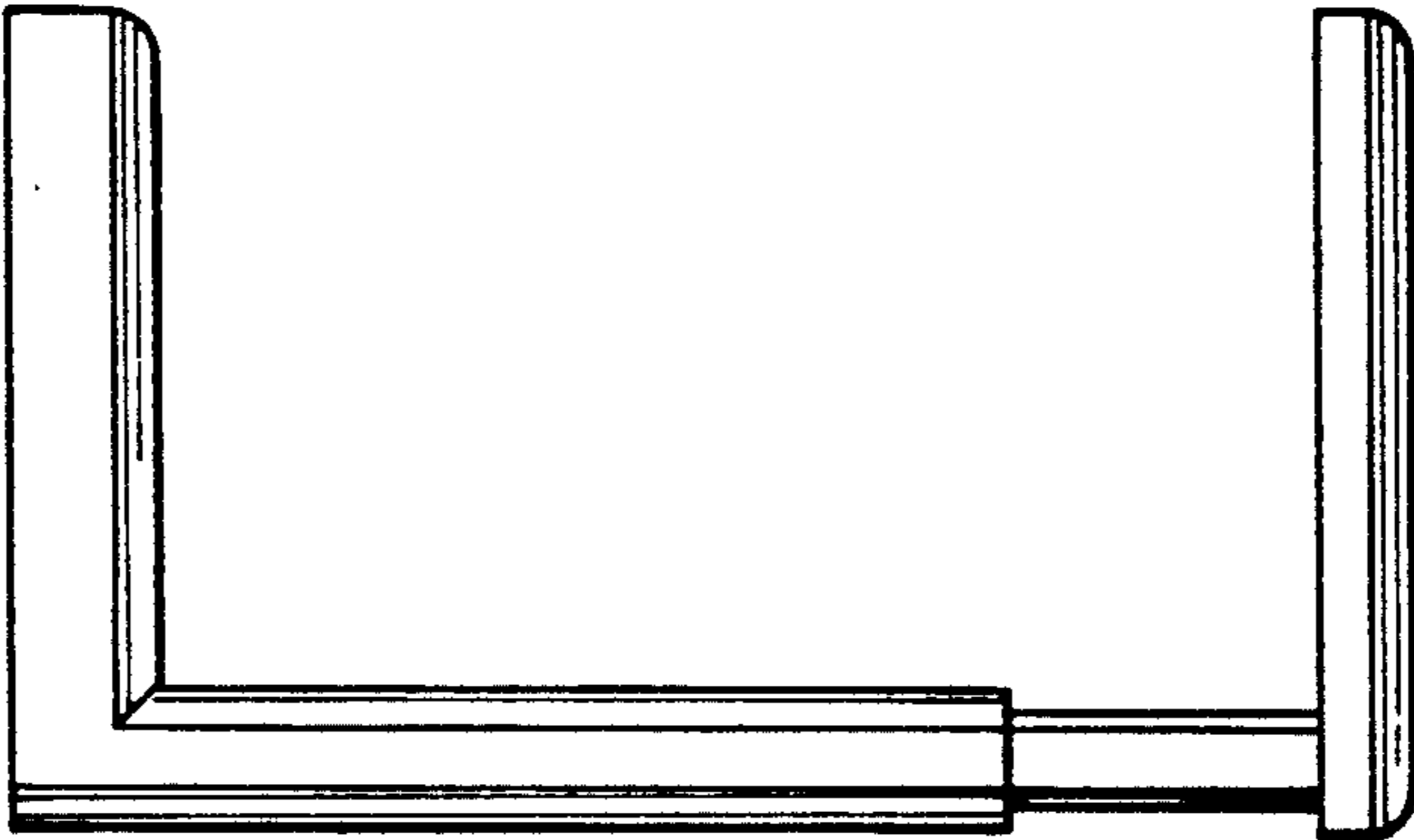


FIG. 7

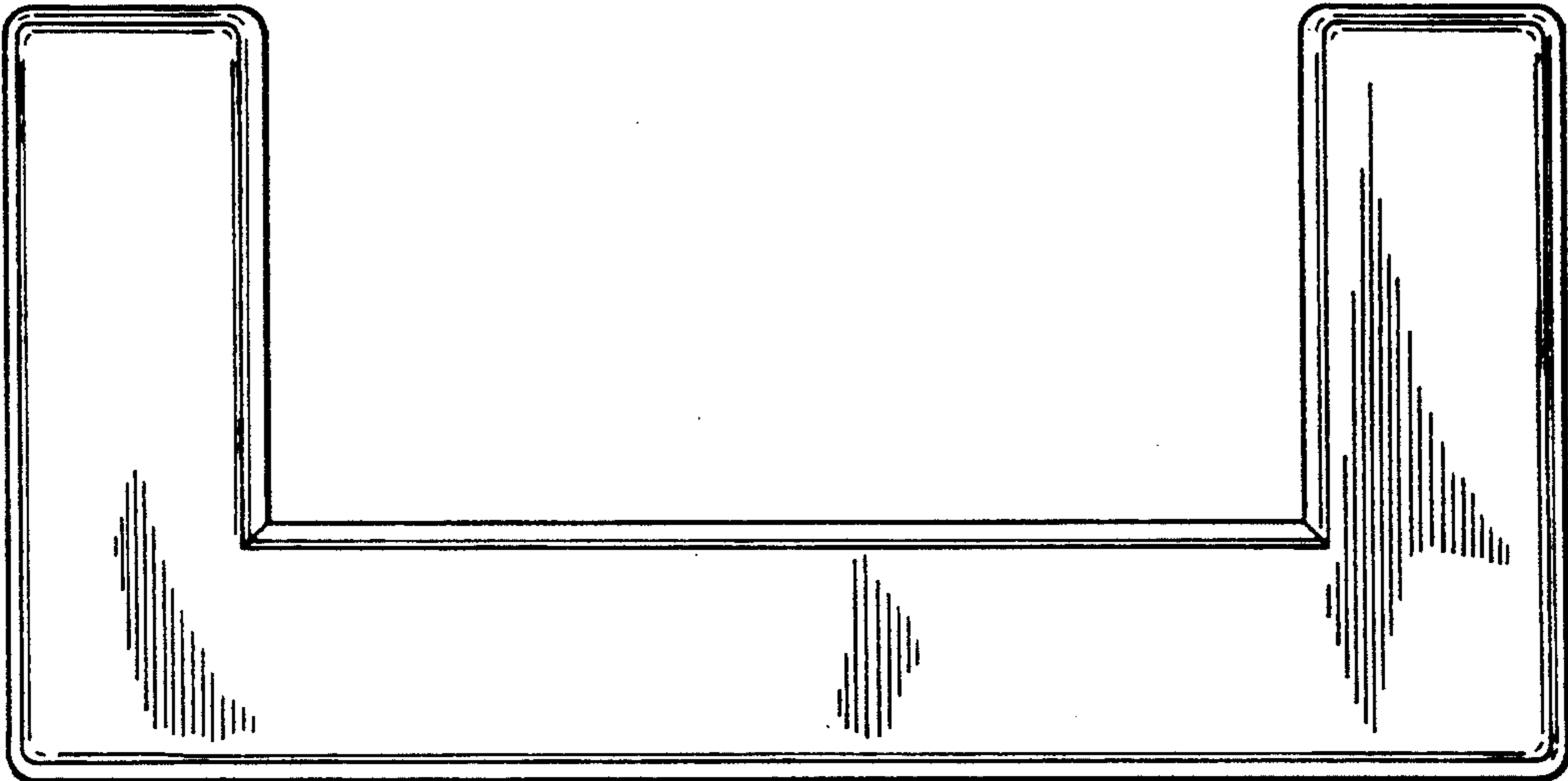


FIG. 8

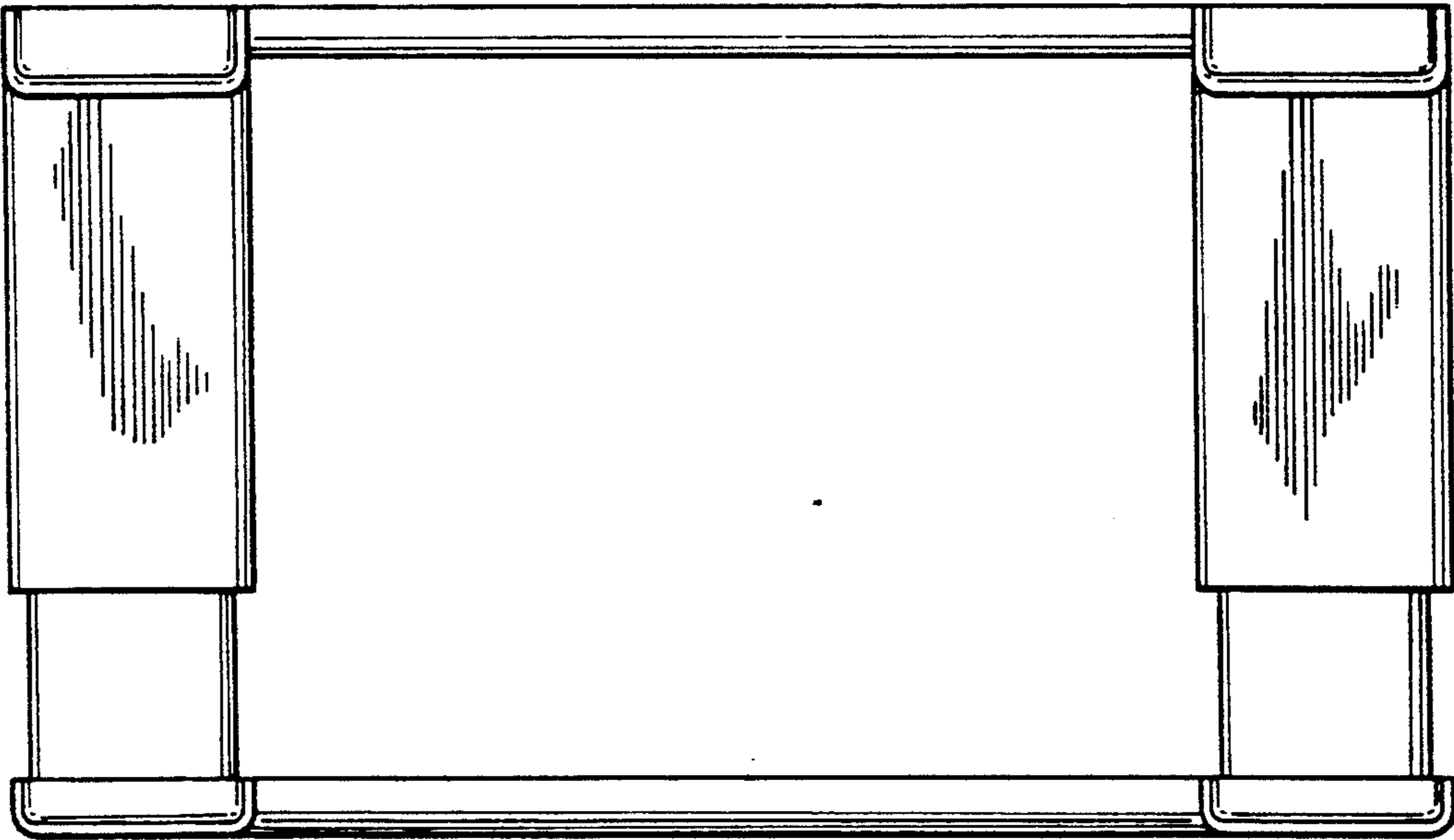


FIG. 9

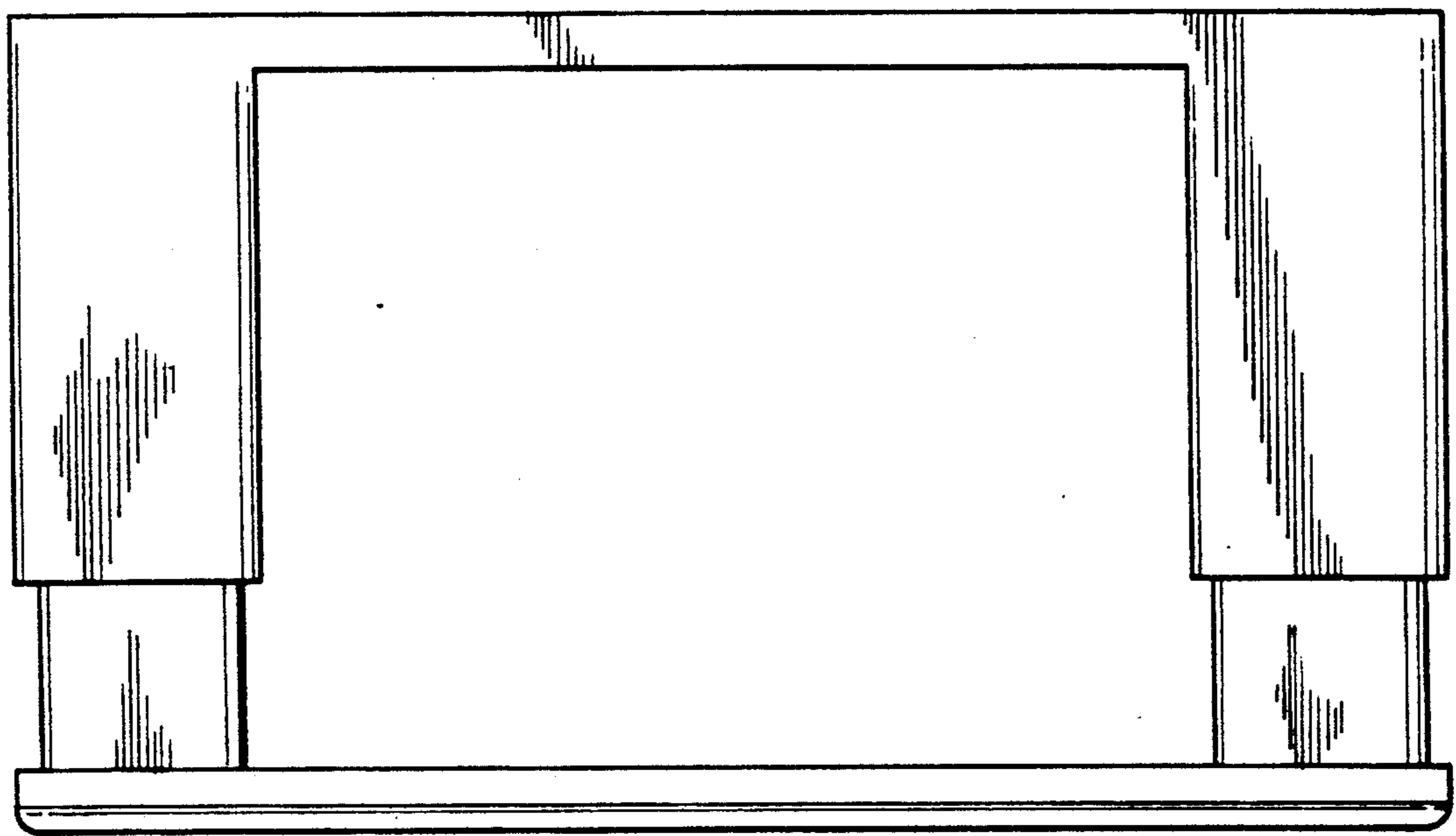


FIG. 10

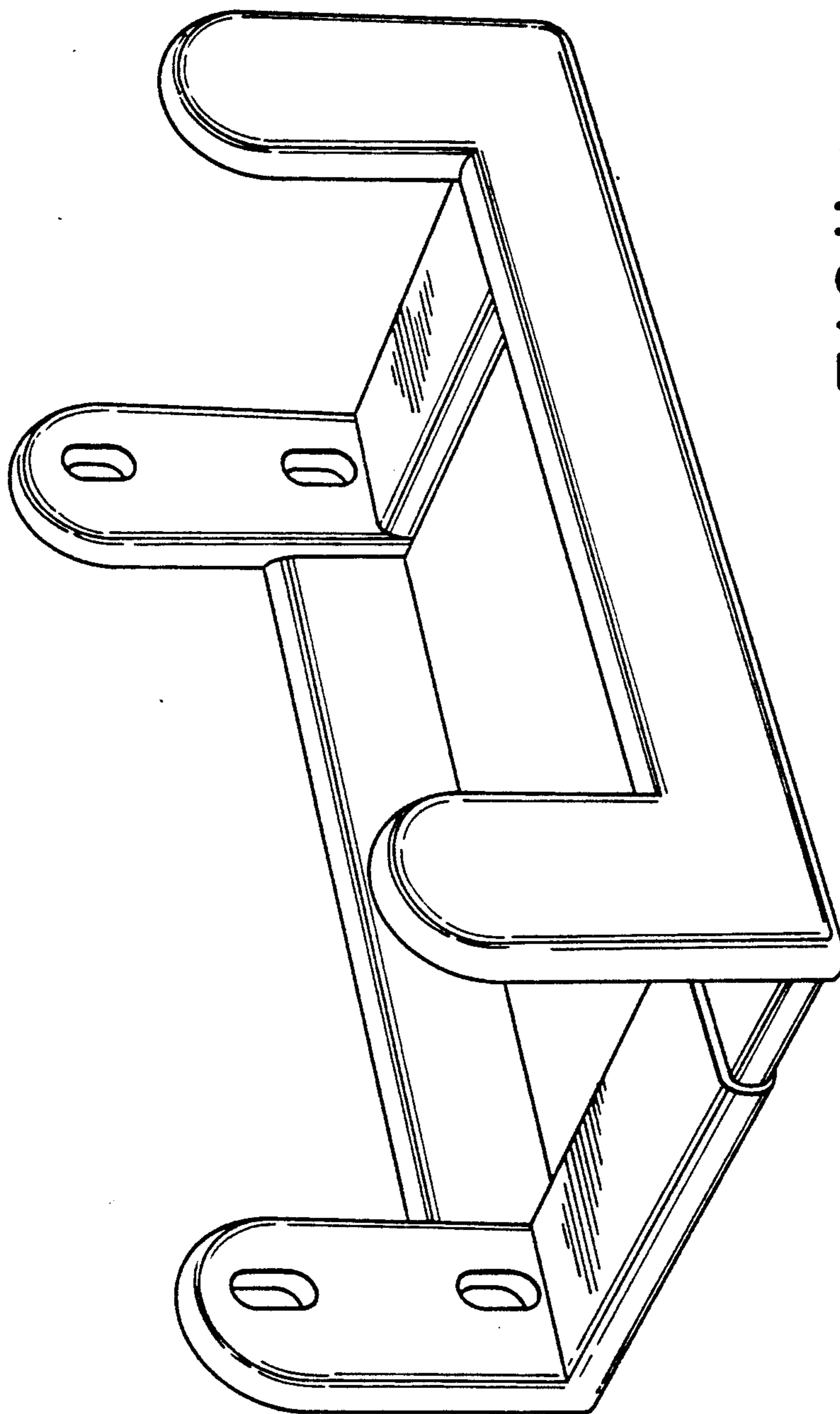


FIG.11

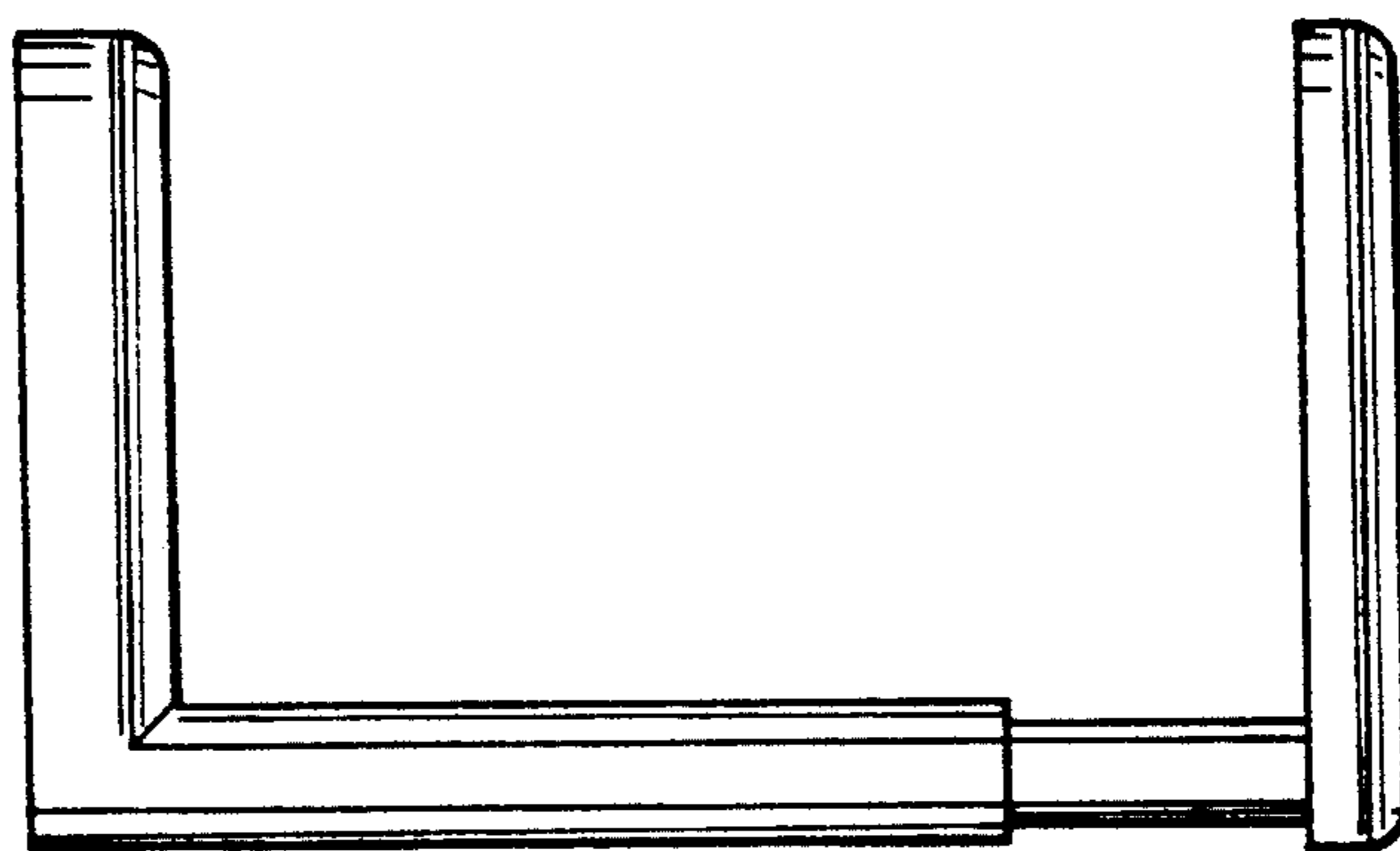


FIG.12

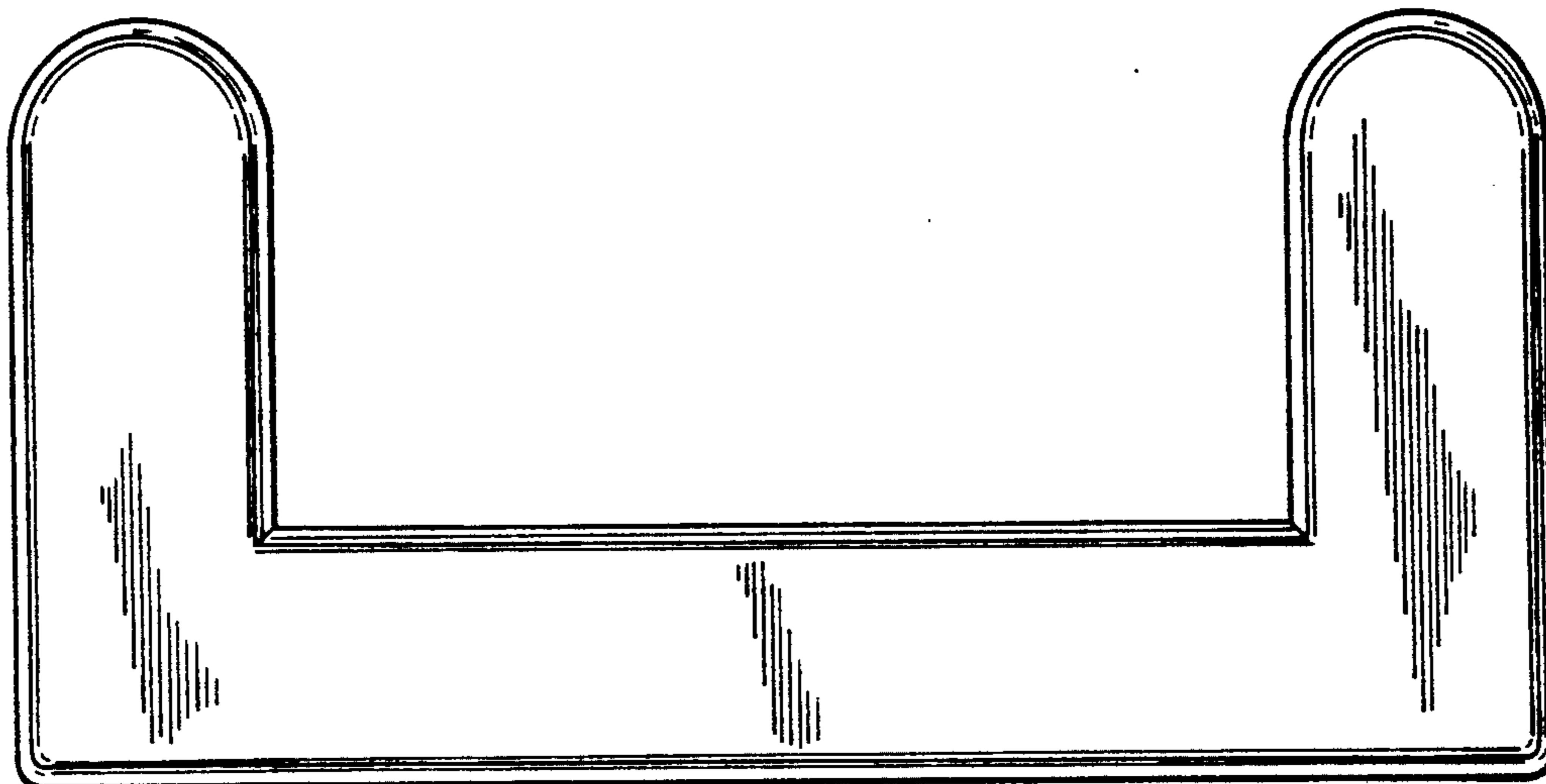


FIG. 13

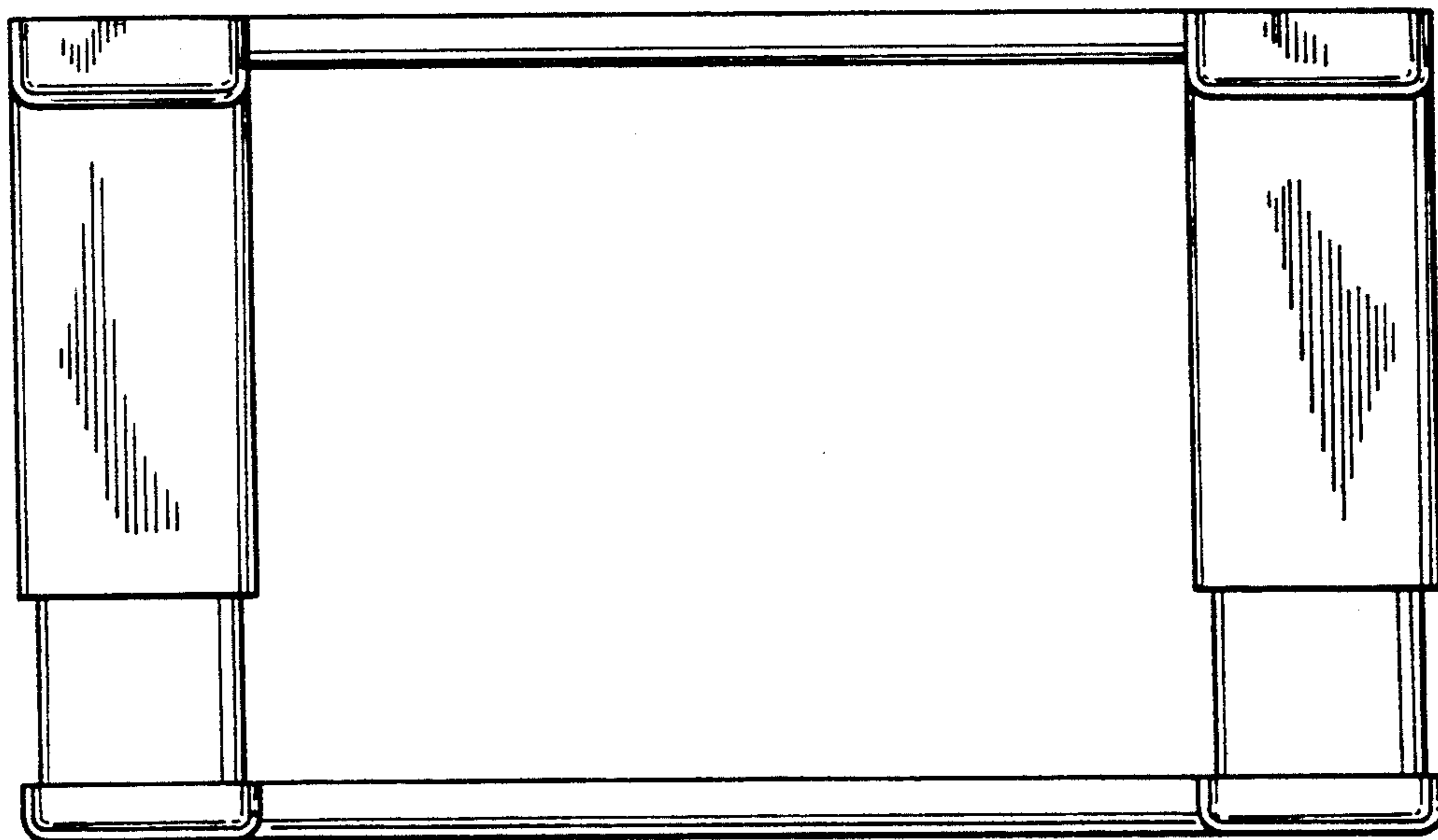


FIG. 14

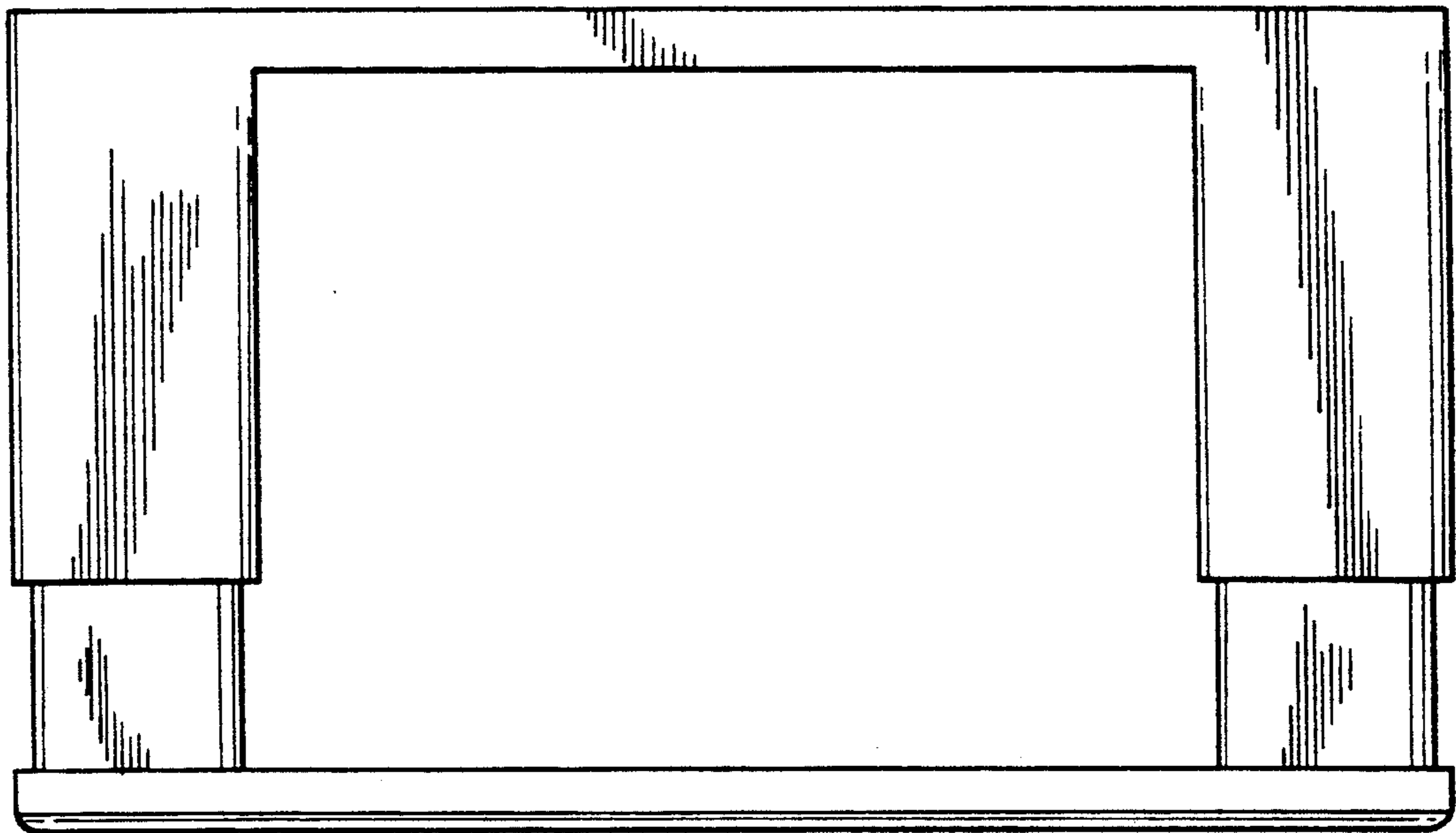


FIG.15

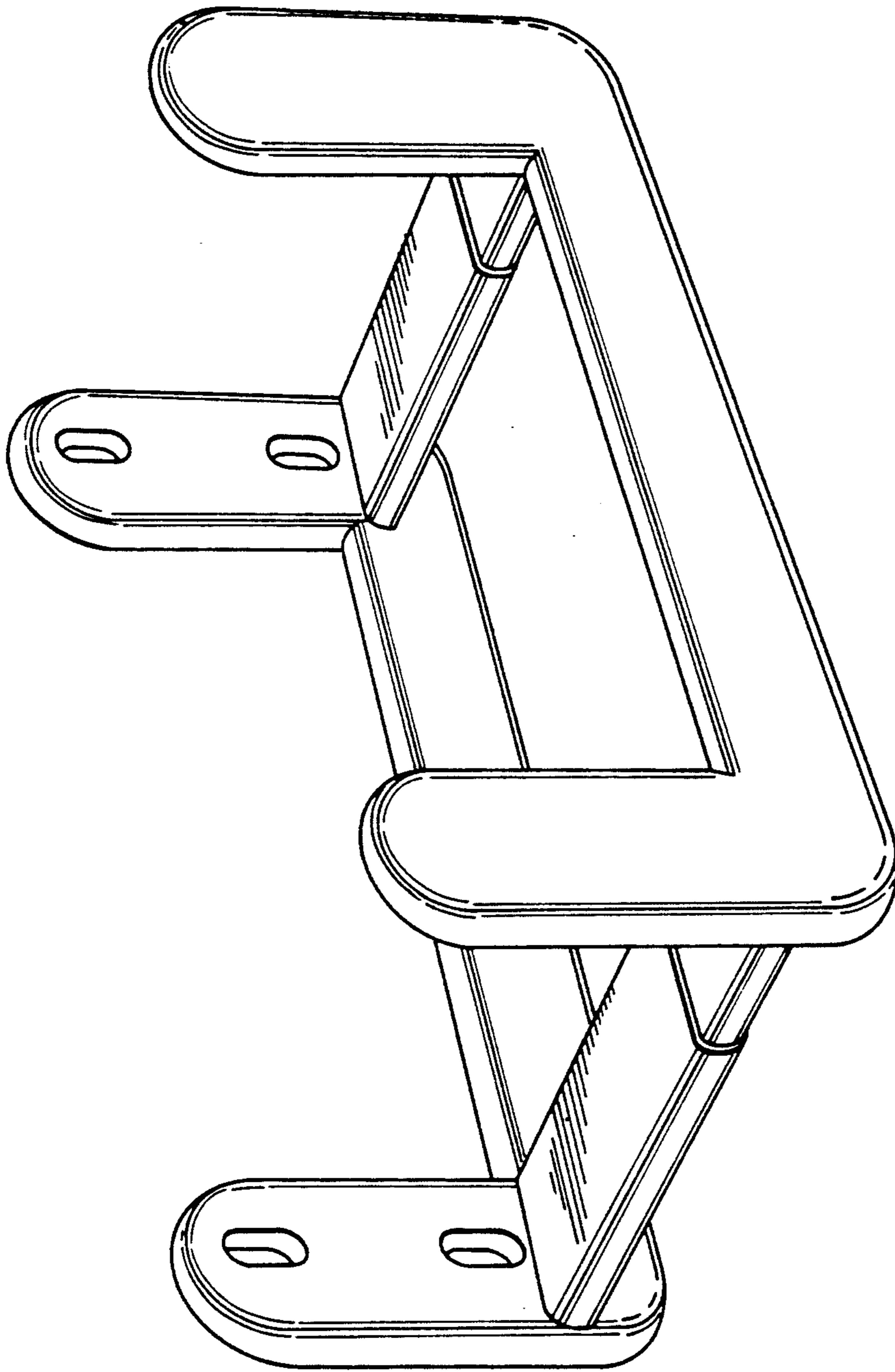


FIG. 16

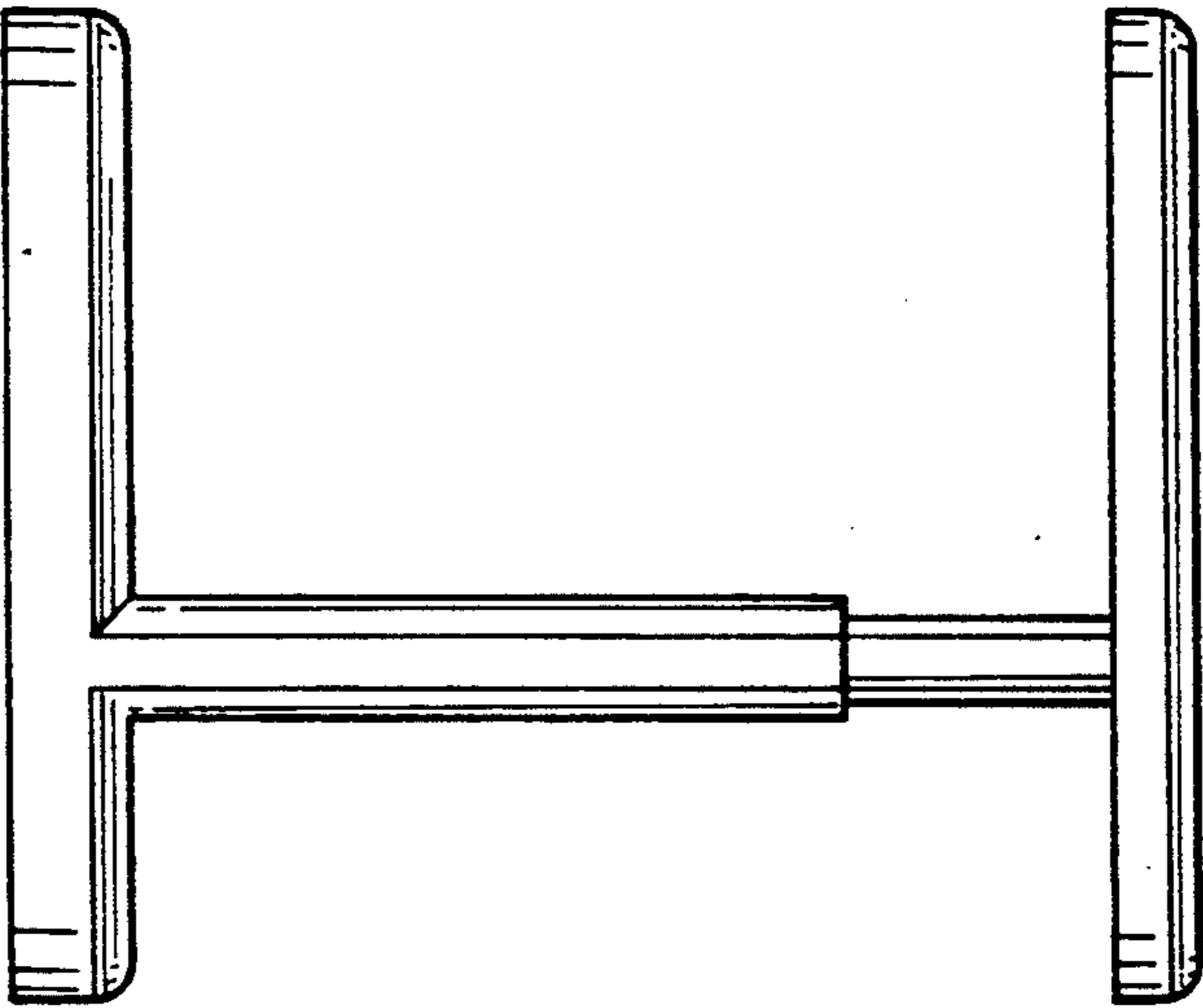


FIG.17

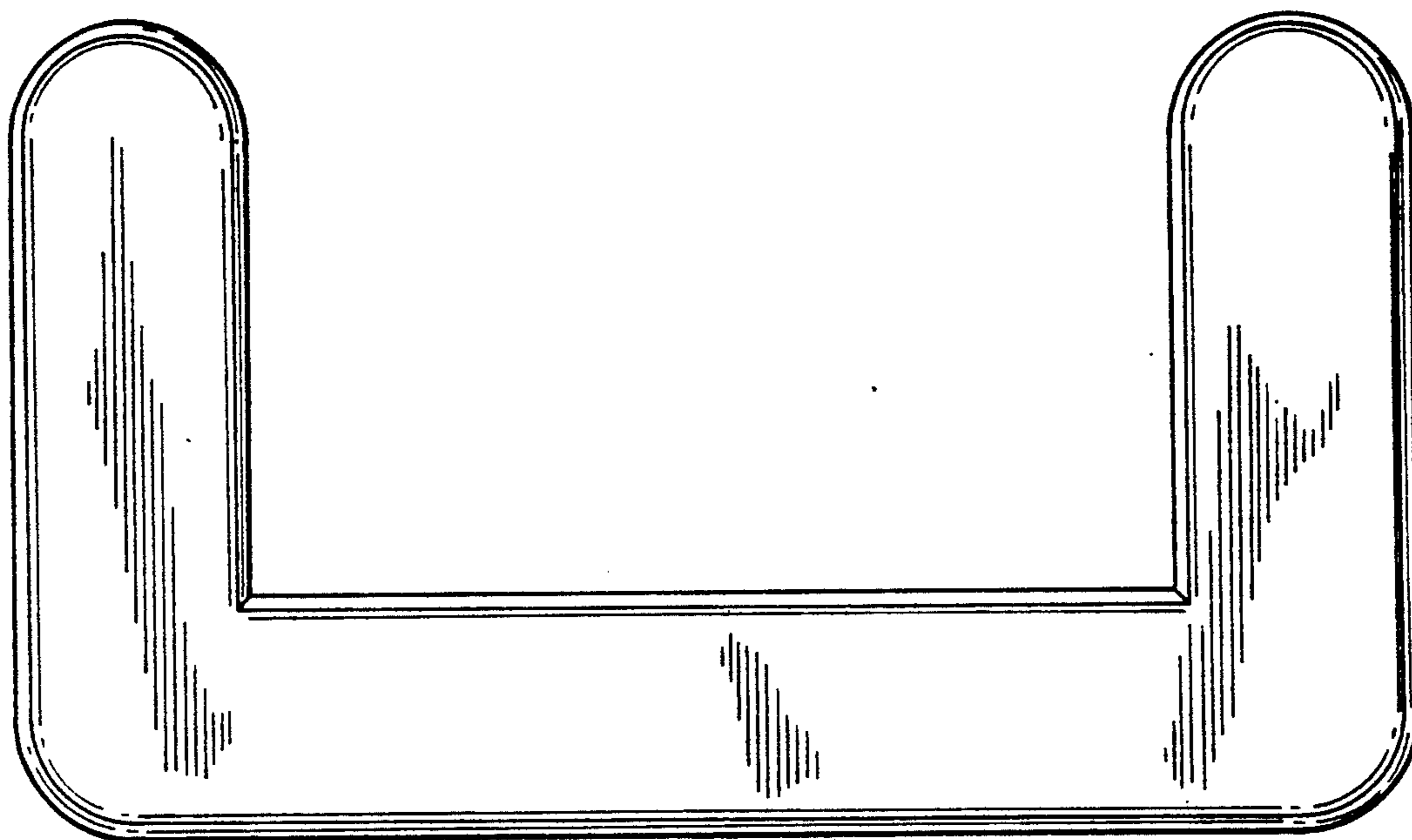


FIG. 18

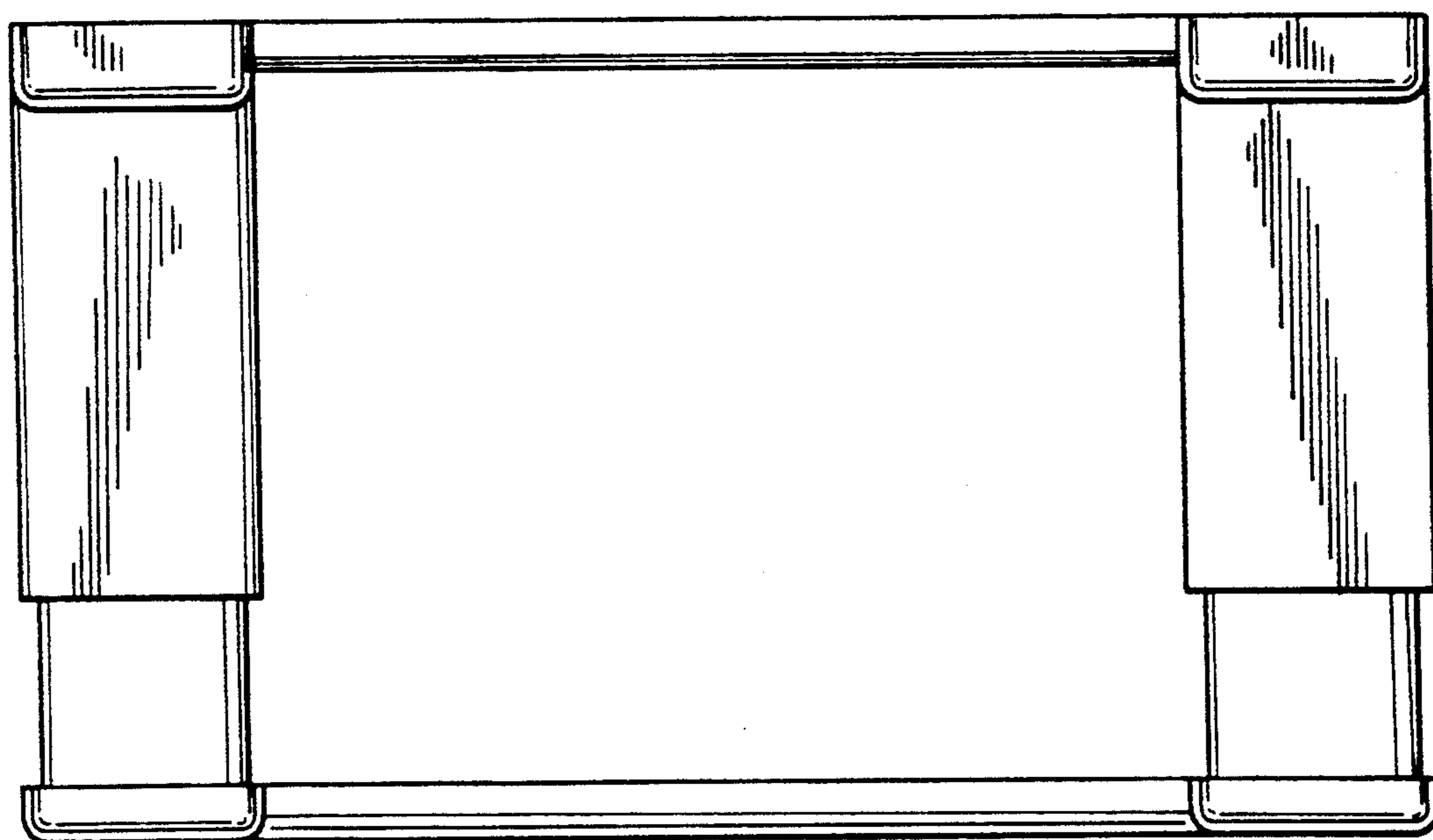


FIG. 19

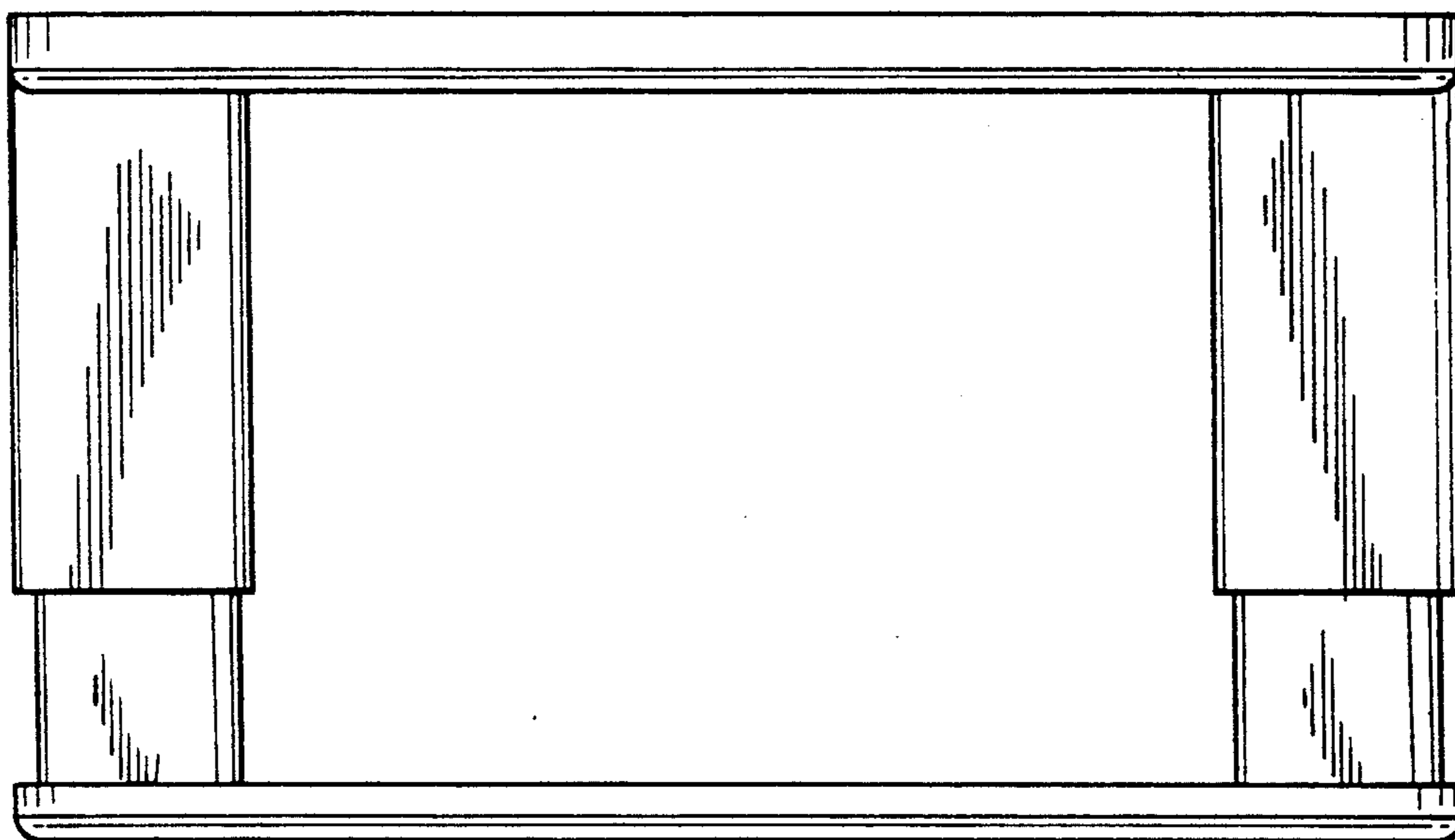


FIG. 20