



US00D340824S

United States Patent [19]

[11] Patent Number: **Des. 340,824**

Pujals, Jr.

[45] Date of Patent: **** Nov. 2, 1993**

[54] **TOOL RACK**

[76] Inventor: **Charles Pujals, Jr., 119 Fayette St.,
Bridgeton, N.J. 08302**

[**] Term: **14 Years**

[21] Appl. No.: **734,863**

[22] Filed: **Jul. 24, 1991**

[52] U.S. Cl. **D6/566**

[58] Field of Search **D6/512, 566, 567, 569-572;
211/59.1, 60.1, 70.6, 70.7, 181; 206/349,
372-373; 248/176-177, 220.2, 220.3, 302-303,
309.1, 315**

3,268,087	8/1966	Kramer	211/60.1 X
3,606,022	9/1971	Beesley, Jr.	211/181 X
3,789,996	2/1974	Stroh	248/302 X
4,140,256	2/1979	King	206/373 X
4,895,334	1/1990	Bajek et al.	D6/566 X

Primary Examiner—Brian N. Vinson

[57] **CLAIM**

The ornamental design for a tool rack, as shown and described.

DESCRIPTION

FIG. 1 is a front elevational view of a tool rack showing my new design;
FIG. 2 is a left side elevational view thereof;
FIG. 3 is a right side elevational view thereof;
FIG. 4 is an inverted rear elevational view thereof; and,
FIG. 5 is a top plan view thereof.

[56] **References Cited**
U.S. PATENT DOCUMENTS
D. 314,684 2/1991 Bajek et al. D6/566

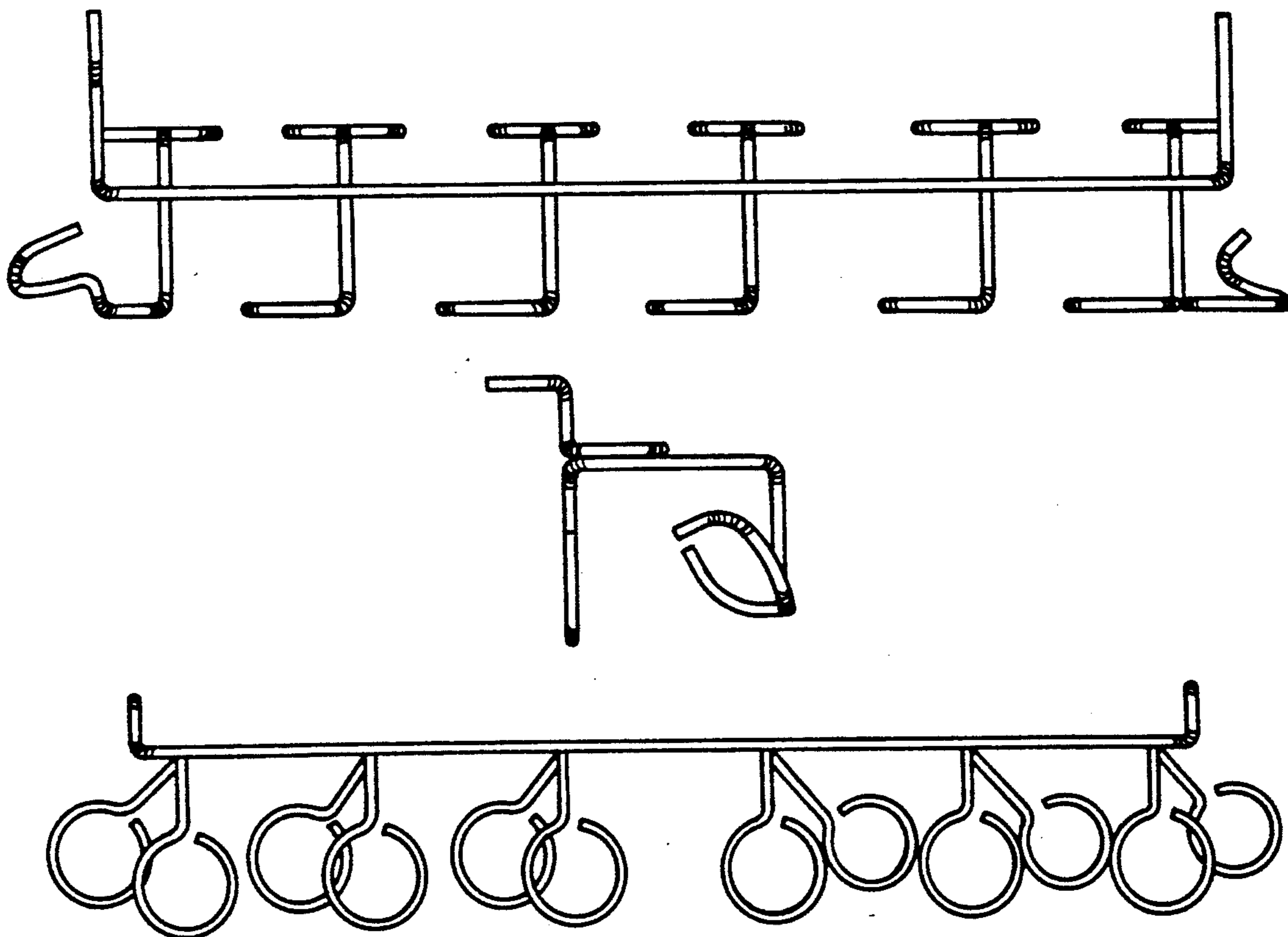


FIG. 1

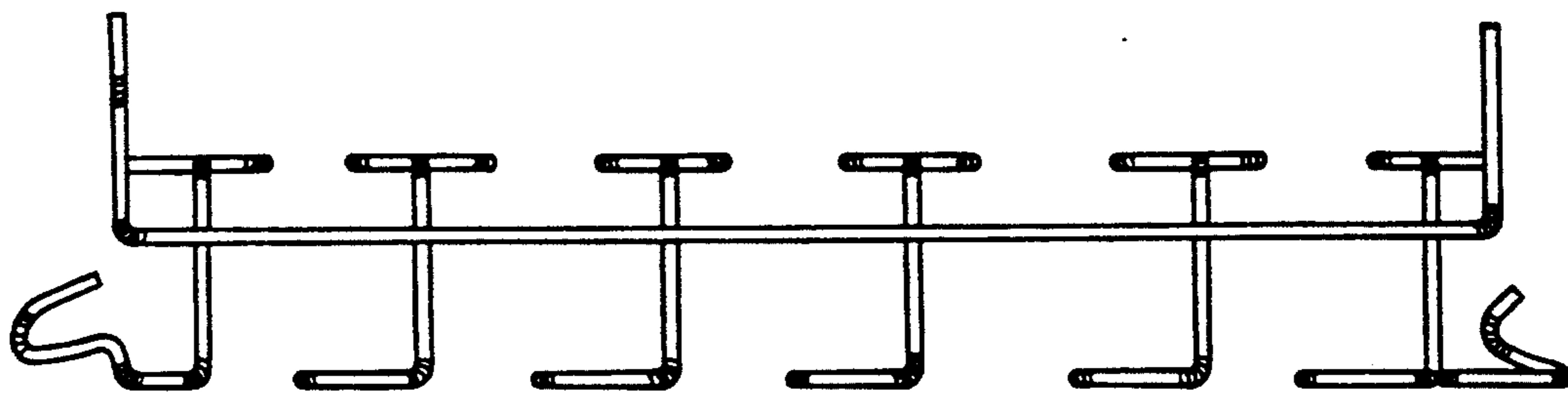


FIG. 2

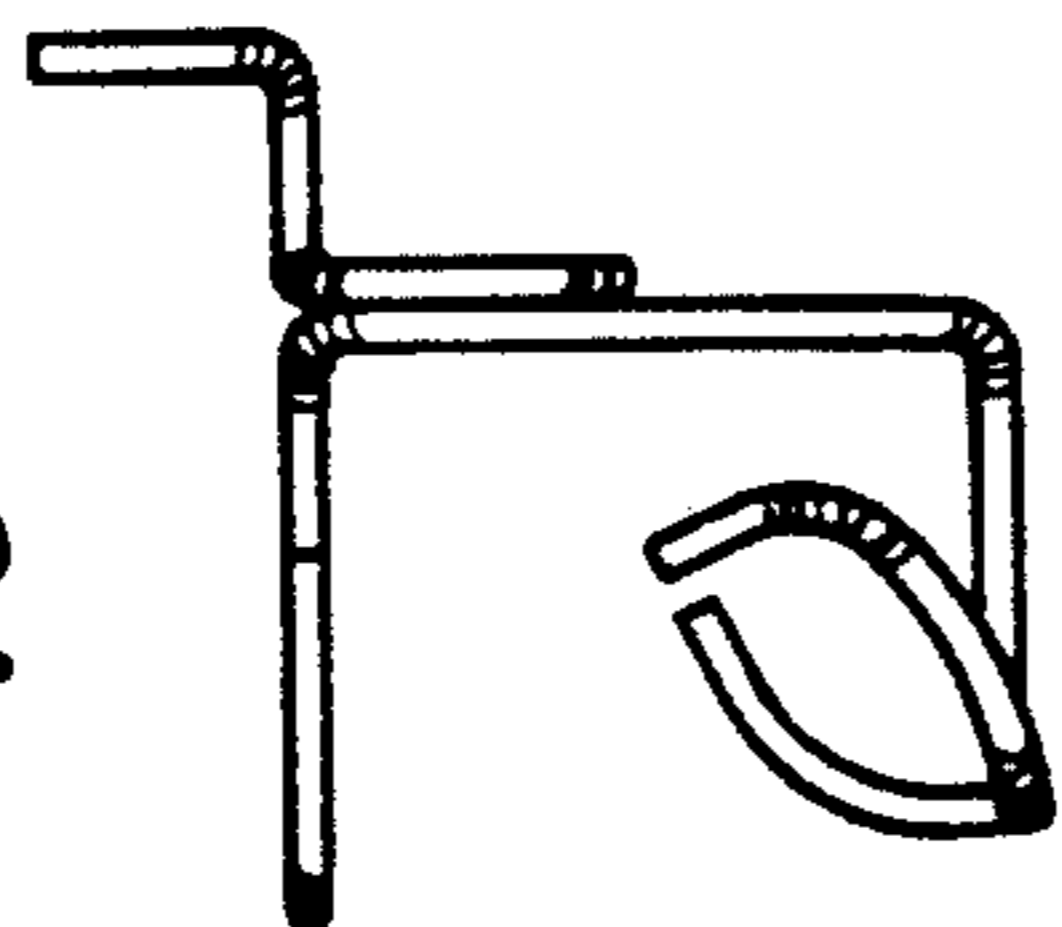


FIG. 3

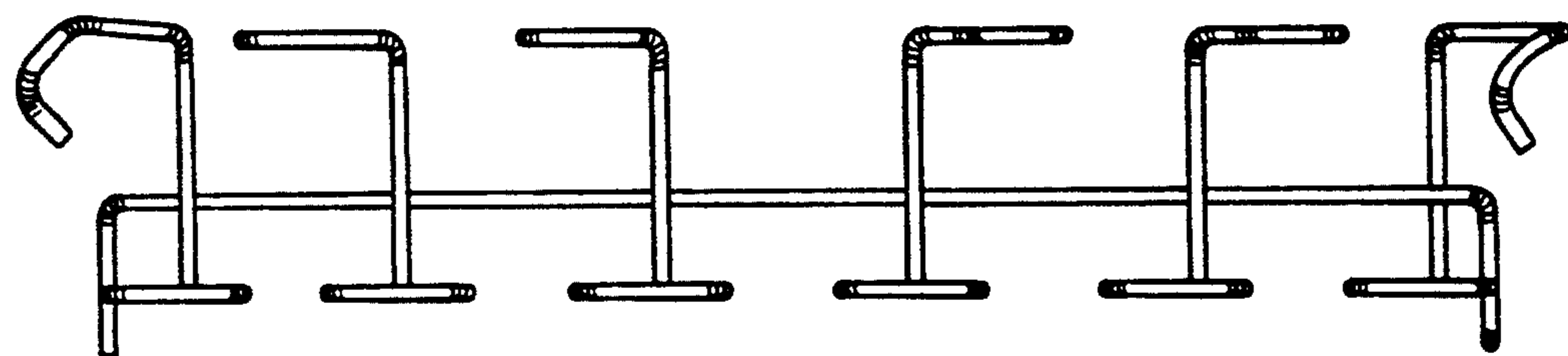
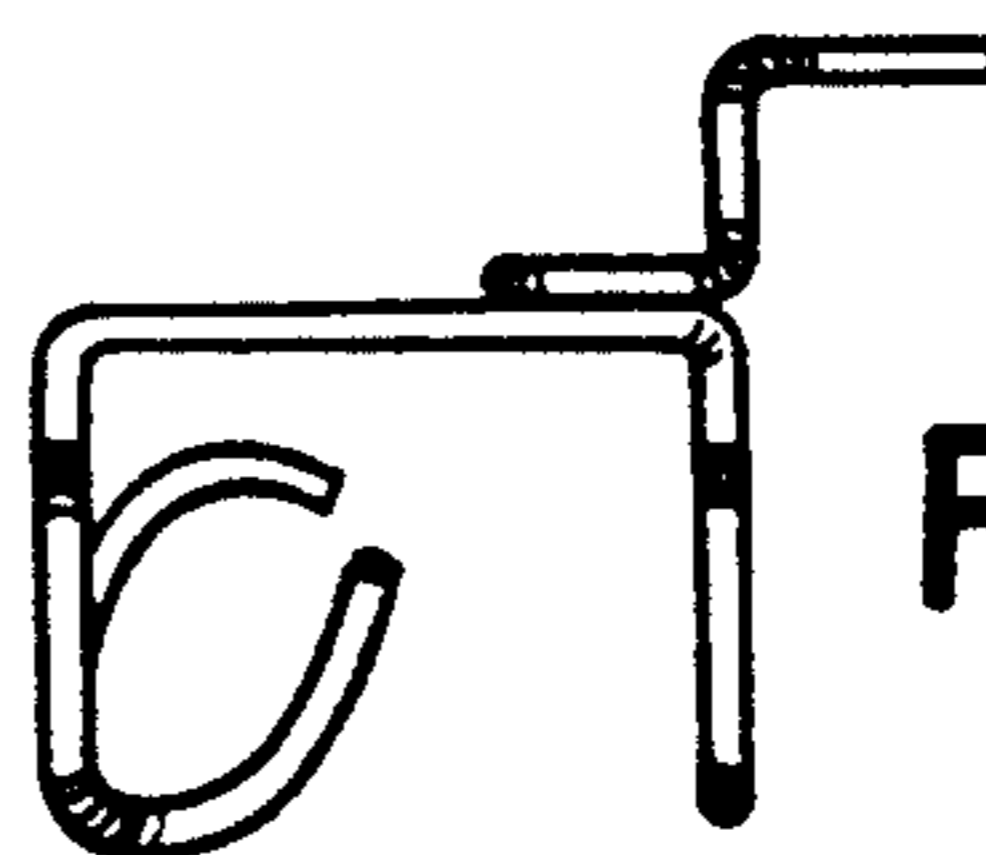


FIG. 4

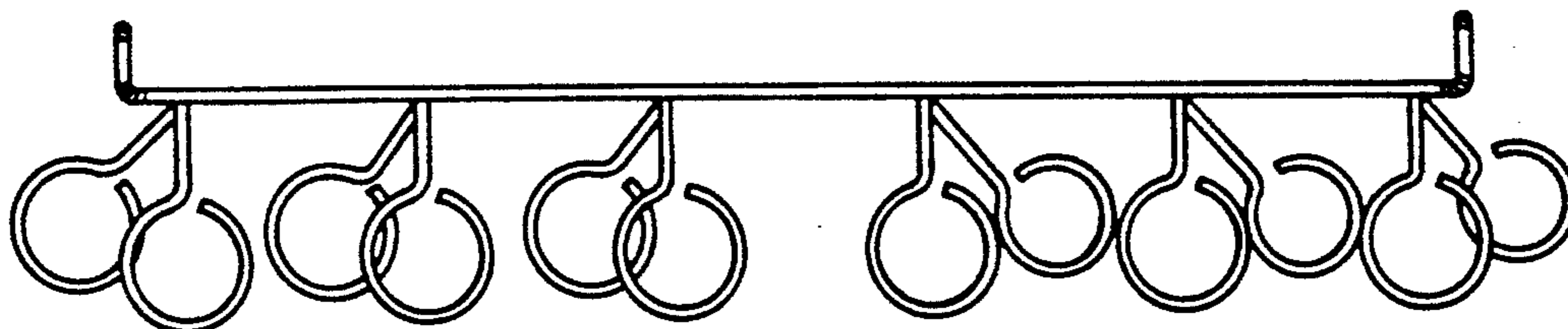


FIG. 5