



US00D340818S

United States Patent [19] Black

[11] Patent Number: **Des. 340,818**
[45] Date of Patent: **** Nov. 2, 1993**

[54] HUTCH

[75] Inventor: **Gerald M. Black, High Point, N.C.**

[73] Assignee: **Lexington Furniture Industries, Inc.,
Lexington, N.C.**

[**] Term: **14 Years**

[21] Appl. No.: **756,117**

[22] Filed: **Sep. 5, 1991**

[52] U.S. Cl. **D6/436; D6/470**

[58] Field of Search **D6/432-448,
D6/470-472; 312/204**

[56] **References Cited
PUBLICATIONS**

Ethan Allen: The Treasury of American Traditional Interiors. ©1979 p. 360: China Cabinet #11-6098 bottom left on page.
Ethan Allen: The Treasury of American Traditional

Interiors ©1979 p. 380: Secretary Bookcase #16-9004 second from bottom right.

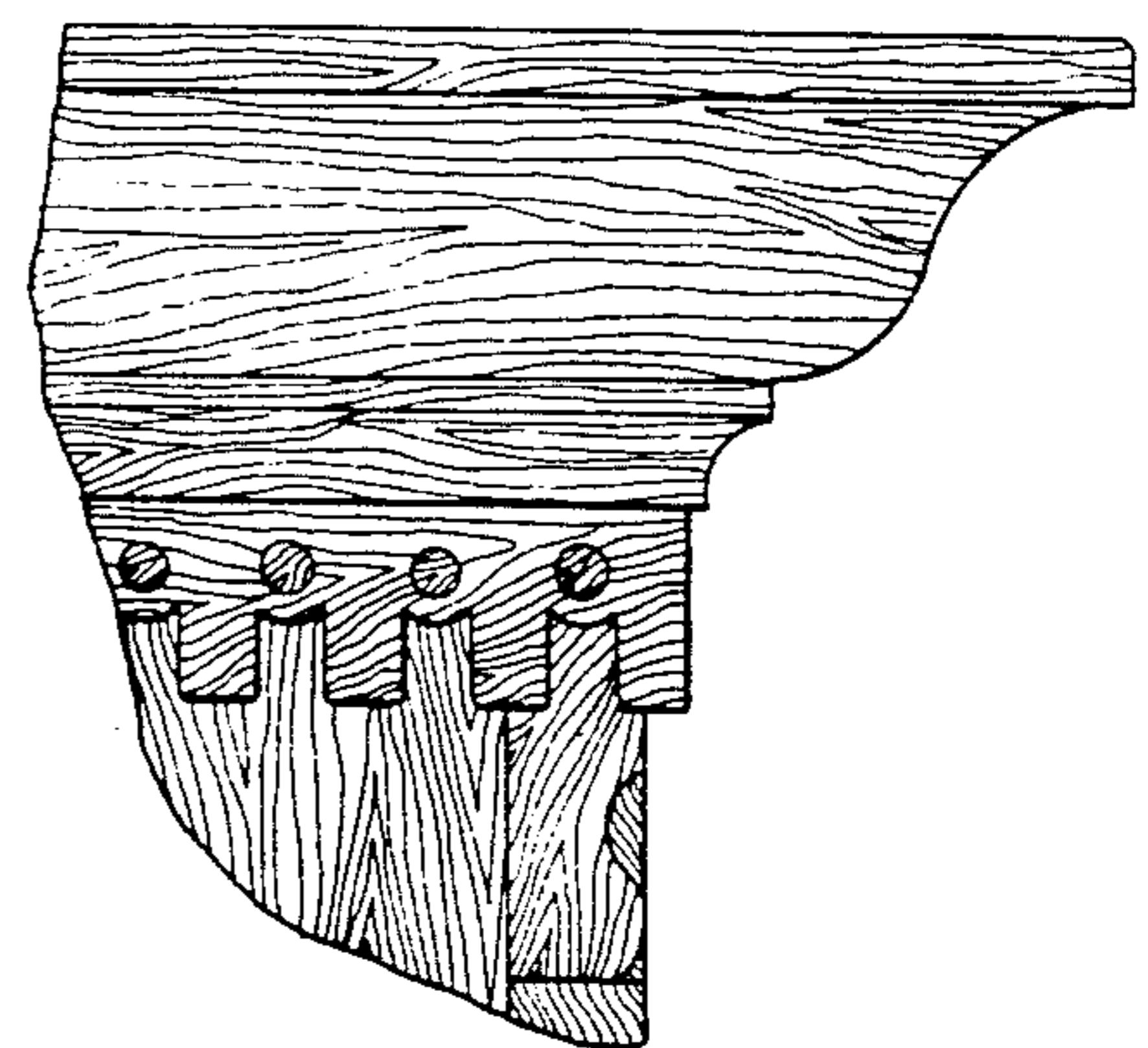
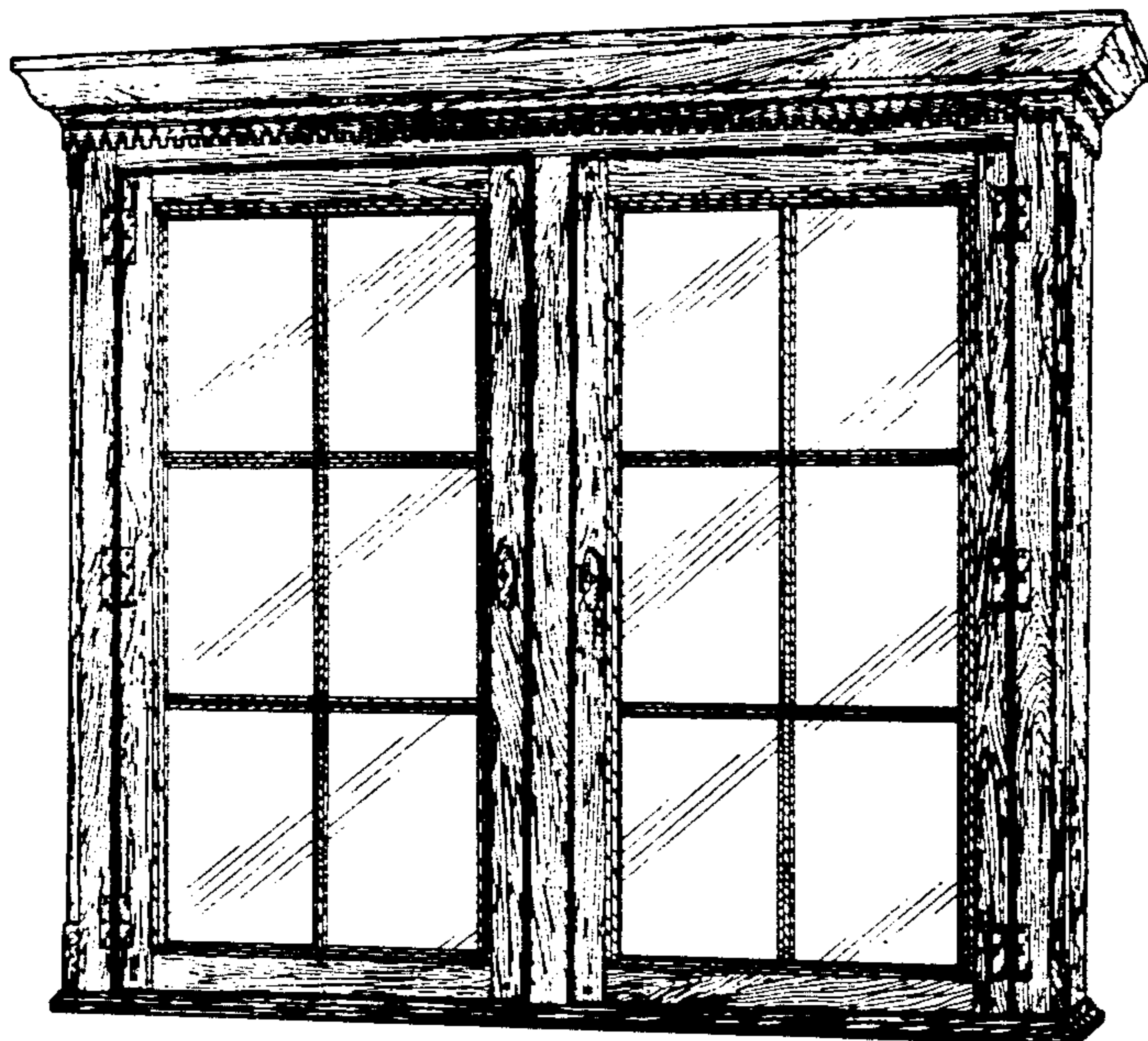
Primary Examiner—Carmen H. Vales-Lado
Attorney, Agent, or Firm—Edgar A. Zarins; Malcolm L. Sutherland

[57] **CLAIM**

The ornamental design for a hutch, as shown and described.

DESCRIPTION

FIG. 1 is a perspective view of a hutch showing my new design;
FIG. 2 is a front elevational view thereof;
FIG. 3 is a top plan view thereof;
FIG. 4 is a side elevational view, the opposite side being a mirror image thereof;
FIG. 5 is an enlarged view of the corner detail thereof taken along lines 5—5 of FIG. 2;
FIG. 6 is an enlarged view of the corner detail thereof taken about circle 6—6 of FIG. 2; and
FIG. 7 is an enlarged view of the corner detail thereof taken about circle 7—7 of FIG. 2.



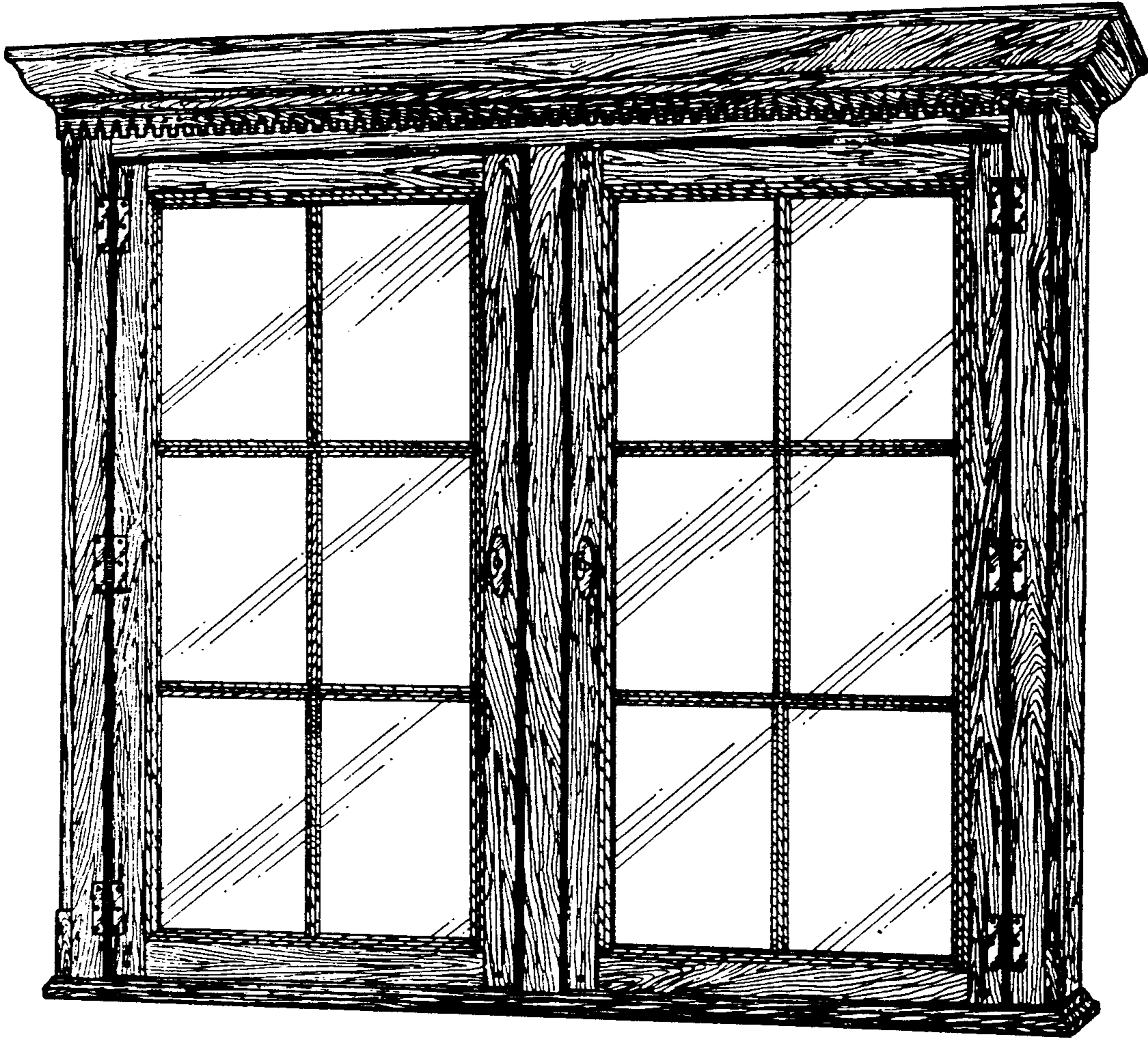


Fig-1

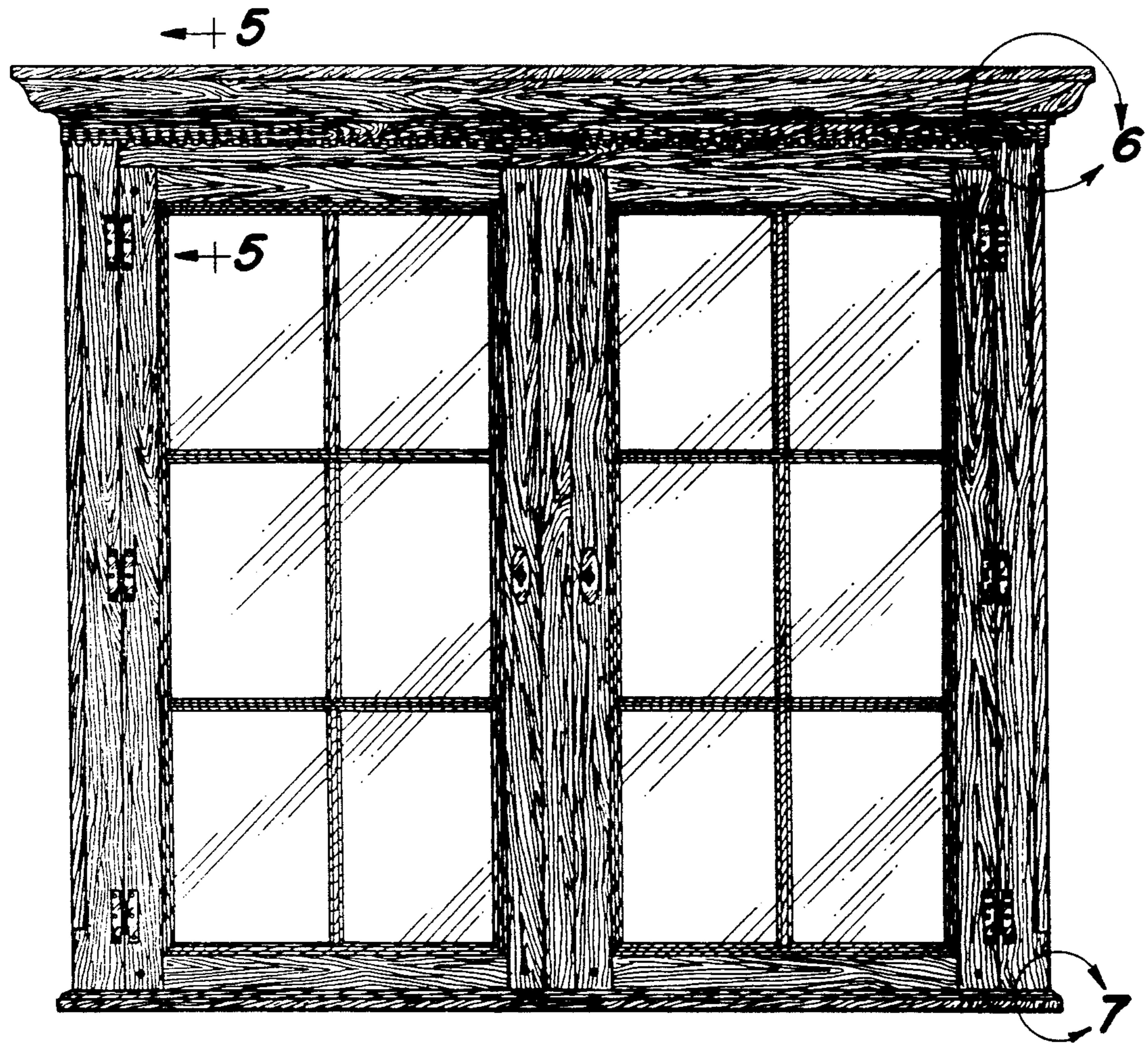


Fig-2

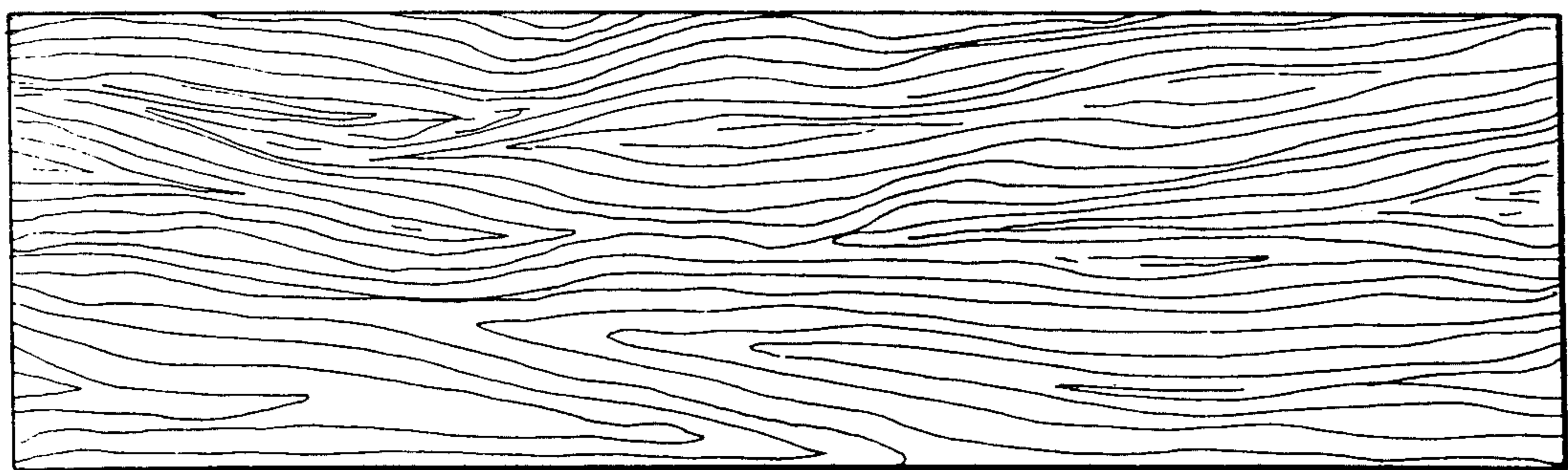


Fig-3

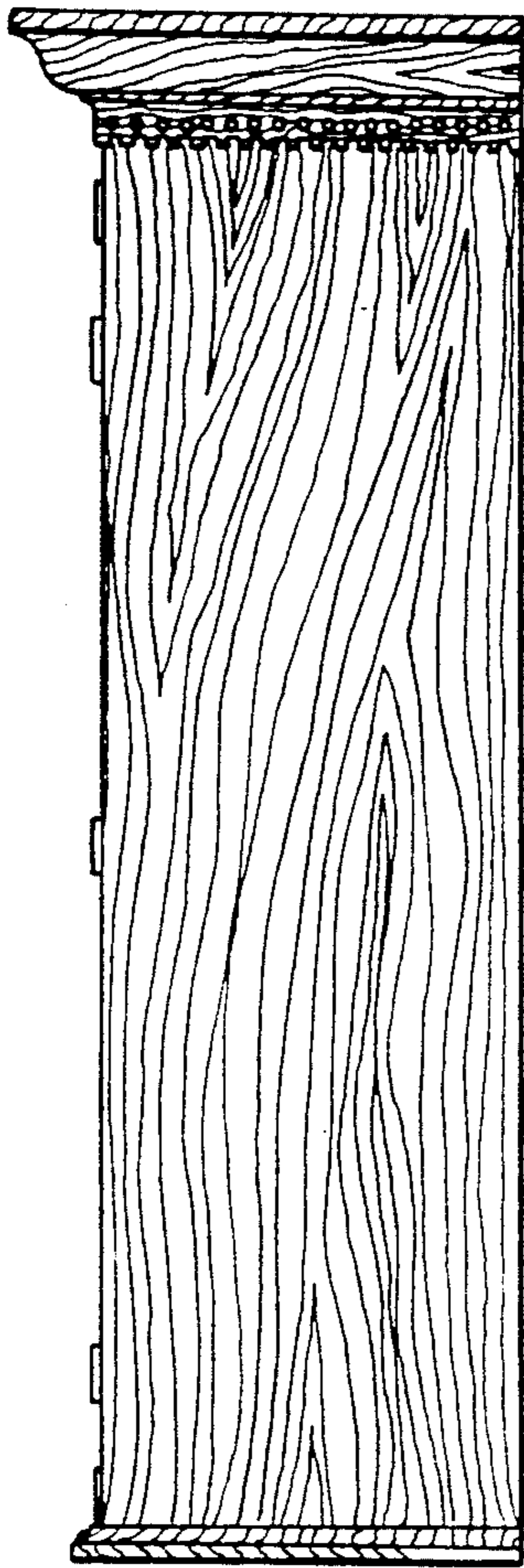


Fig-4

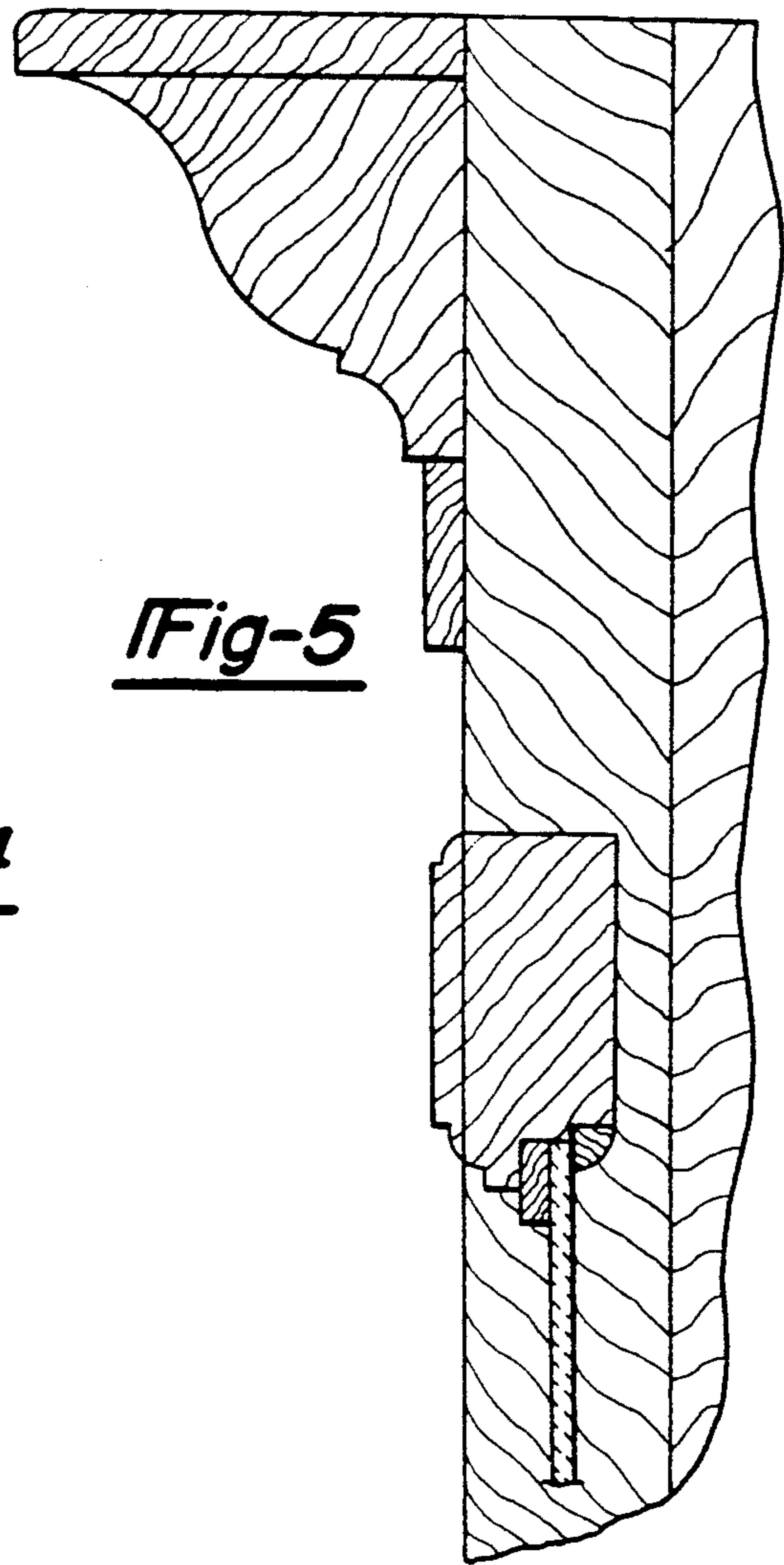


Fig-5

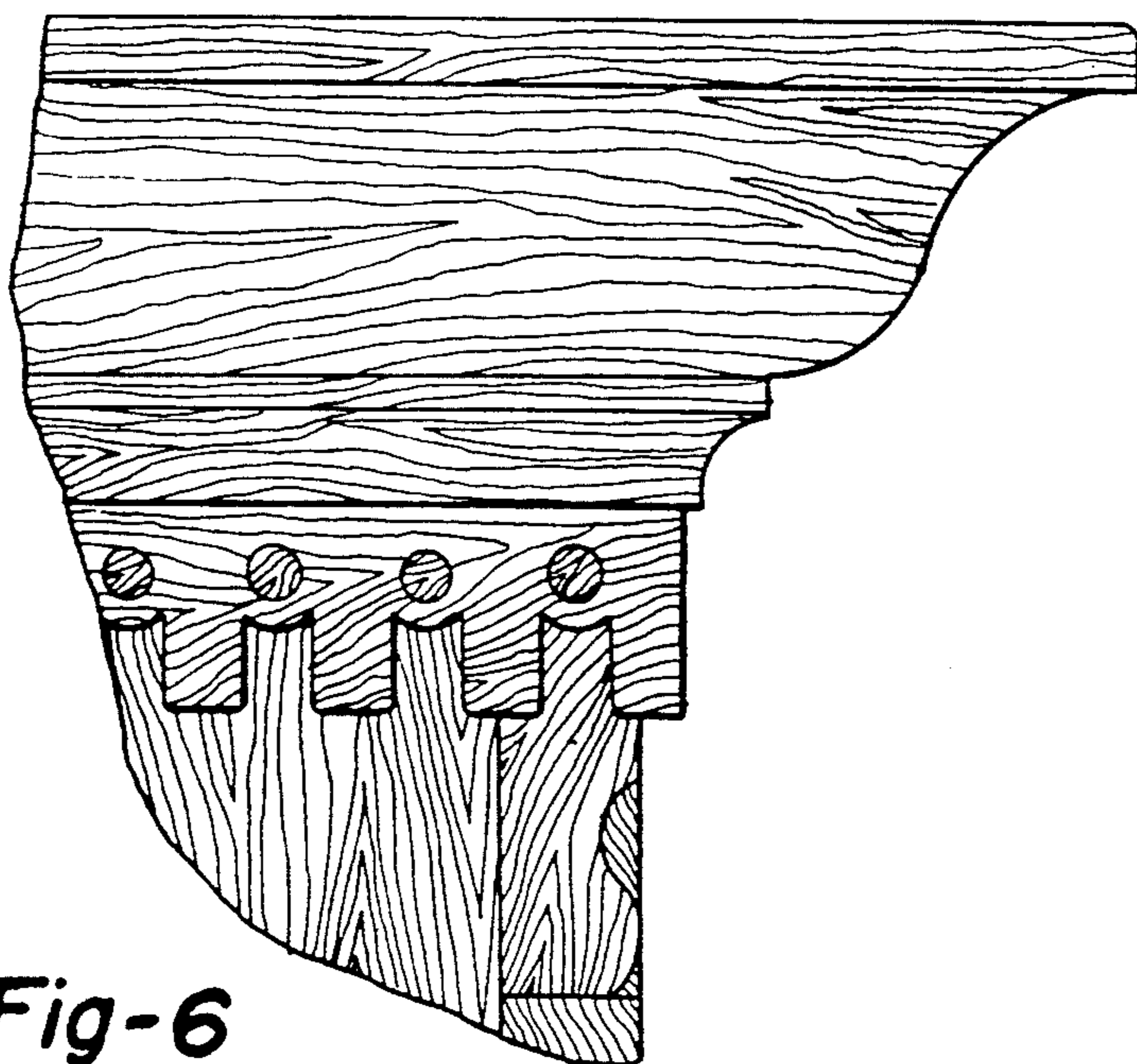


Fig-6

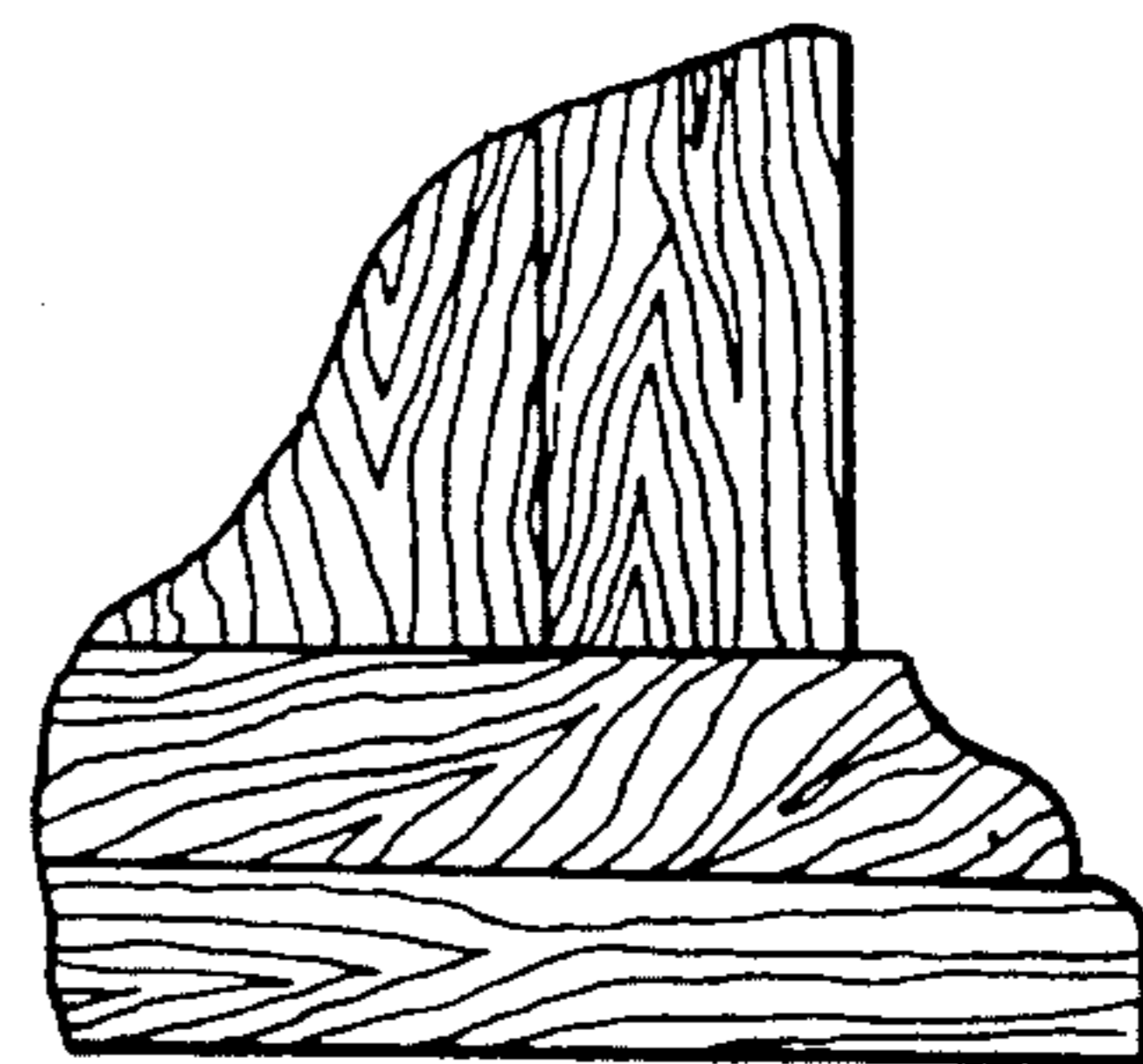


Fig-7