



US00D340816S

United States Patent [19]

[11] Patent Number: **Des. 340,816**

Lee

[45] Date of Patent: **** Nov. 2, 1993**

[54] **DESK**

[76] Inventor: **John J. Lee**, P.O. Box 2943, Palos Verdes Peninsula, Calif. 90274

[**] Term: **14 Years**

[21] Appl. No.: **790,716**

[22] Filed: **Nov. 12, 1991**

[52] U.S. Cl. **D6/421**

[58] Field of Search **D6/421-431, D6/474; 312/194-196, 204, 223.3; 108/59, 60, 92, 25**

D. 297,987	10/1988	Borsos	D6/420
D. 305,838	2/1990	Bienenstock	D6/420
D. 314,289	2/1991	Schaelling et al.	D6/425
4,009,811	7/1978	Barry	108/25 X
4,640,199	2/1987	Zigman	108/92 X
4,668,026	5/1987	Lapeyre et al.	108/60 X

Primary Examiner—Carmen H. Vales-Lado
Attorney, Agent, or Firm—J. E. Brunton

[57] CLAIM

The ornamental design for a desk, as shown.

DESCRIPTION

FIG. 1 is a perspective view of a desk showing my new design;
 FIG. 2 is a top plan view thereof;
 FIG. 3 is a front elevational view thereof;
 FIG. 4 is a right side elevational view thereof;
 FIG. 5 is a left side elevational view thereof;
 FIG. 6 is a rear elevational view thereof; and,
 FIG. 7 is a bottom plan view thereof.

[56] References Cited

U.S. PATENT DOCUMENTS

D. 243,300	2/1977	Christensen	D6/421
D. 293,284	12/1987	Wright et al.	D6/425
D. 293,398	12/1987	Kwiecinski	D6/430
D. 296,800	7/1988	Benedetto et al.	D6/425 X

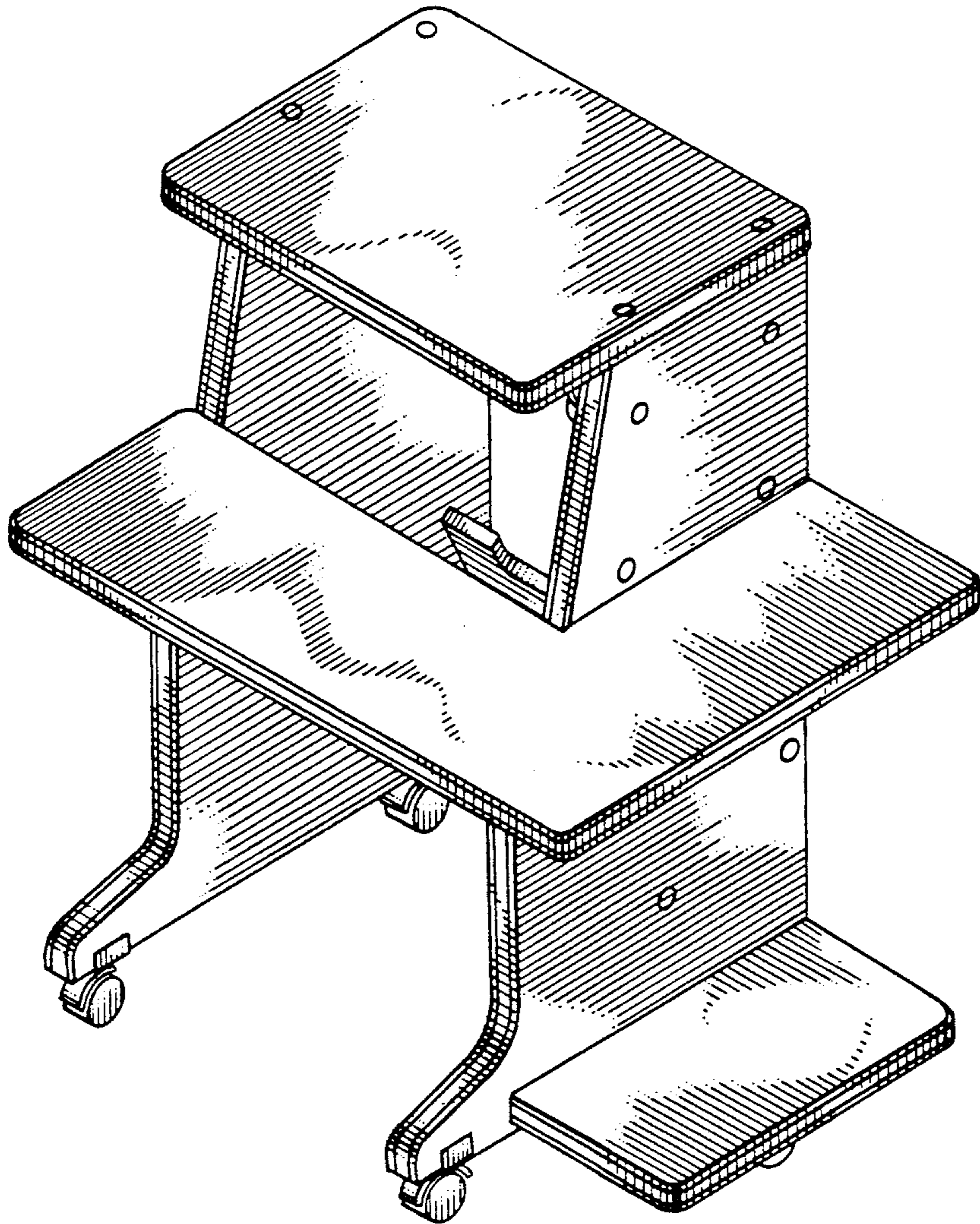


FIG. 1

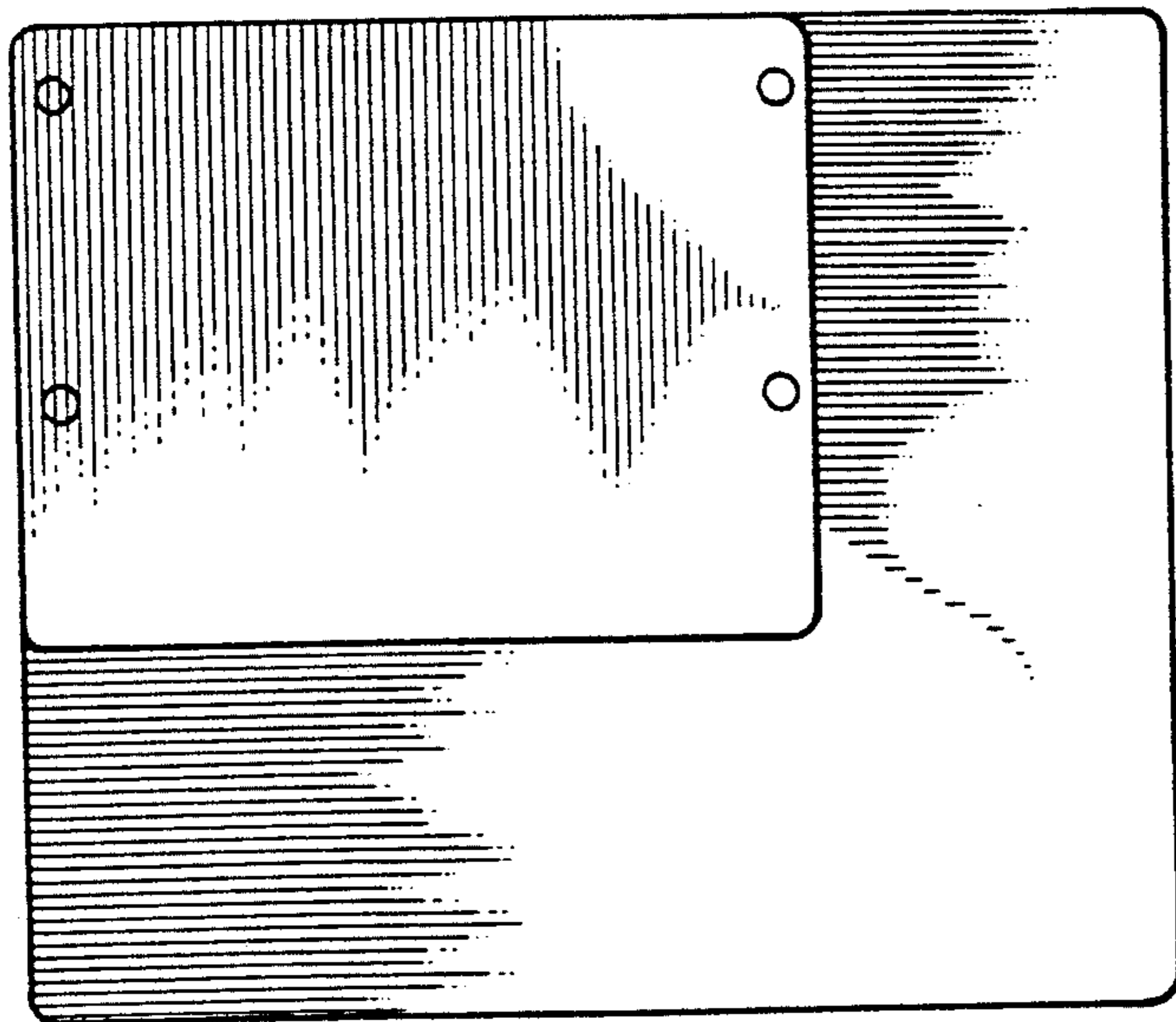
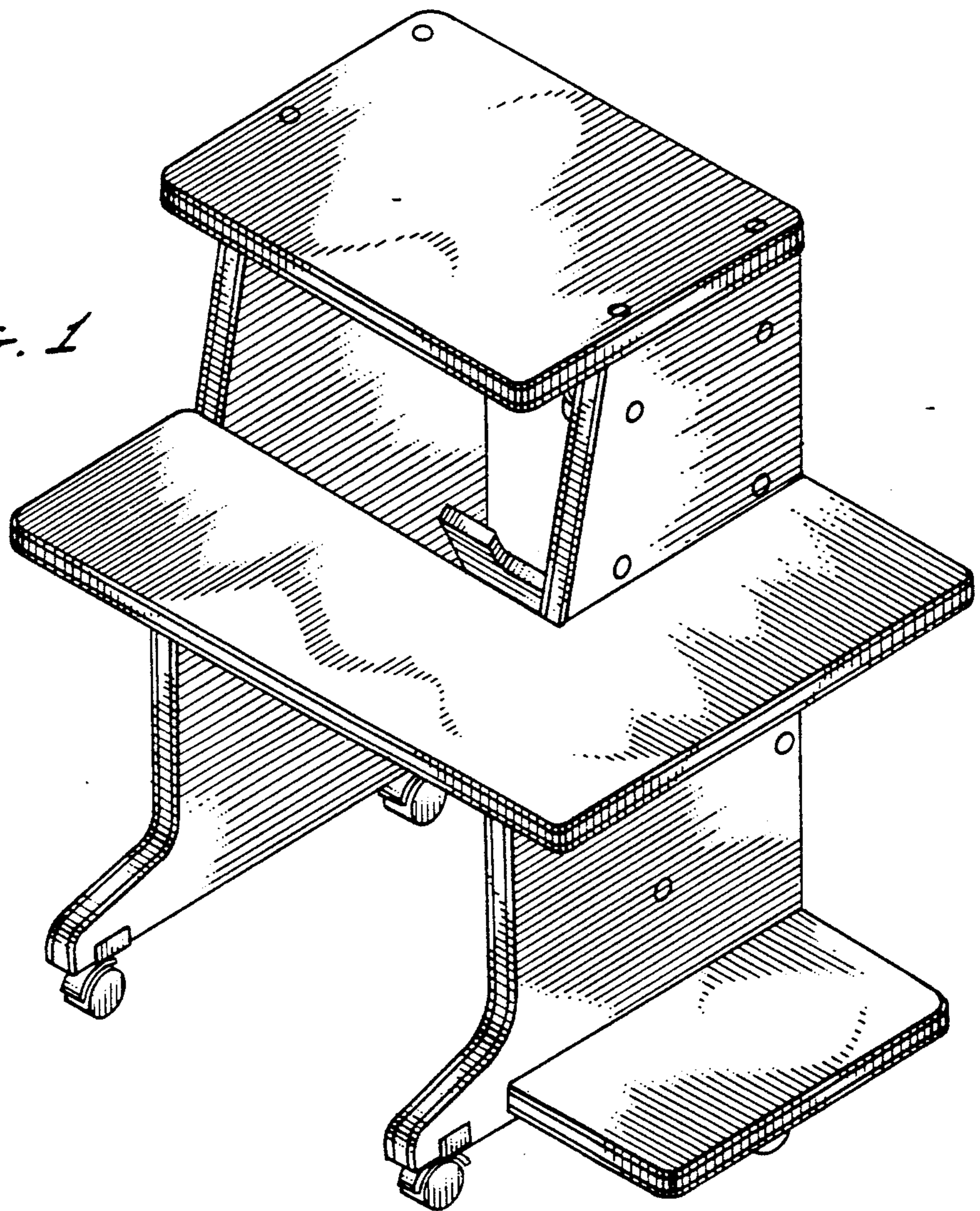


FIG. 2

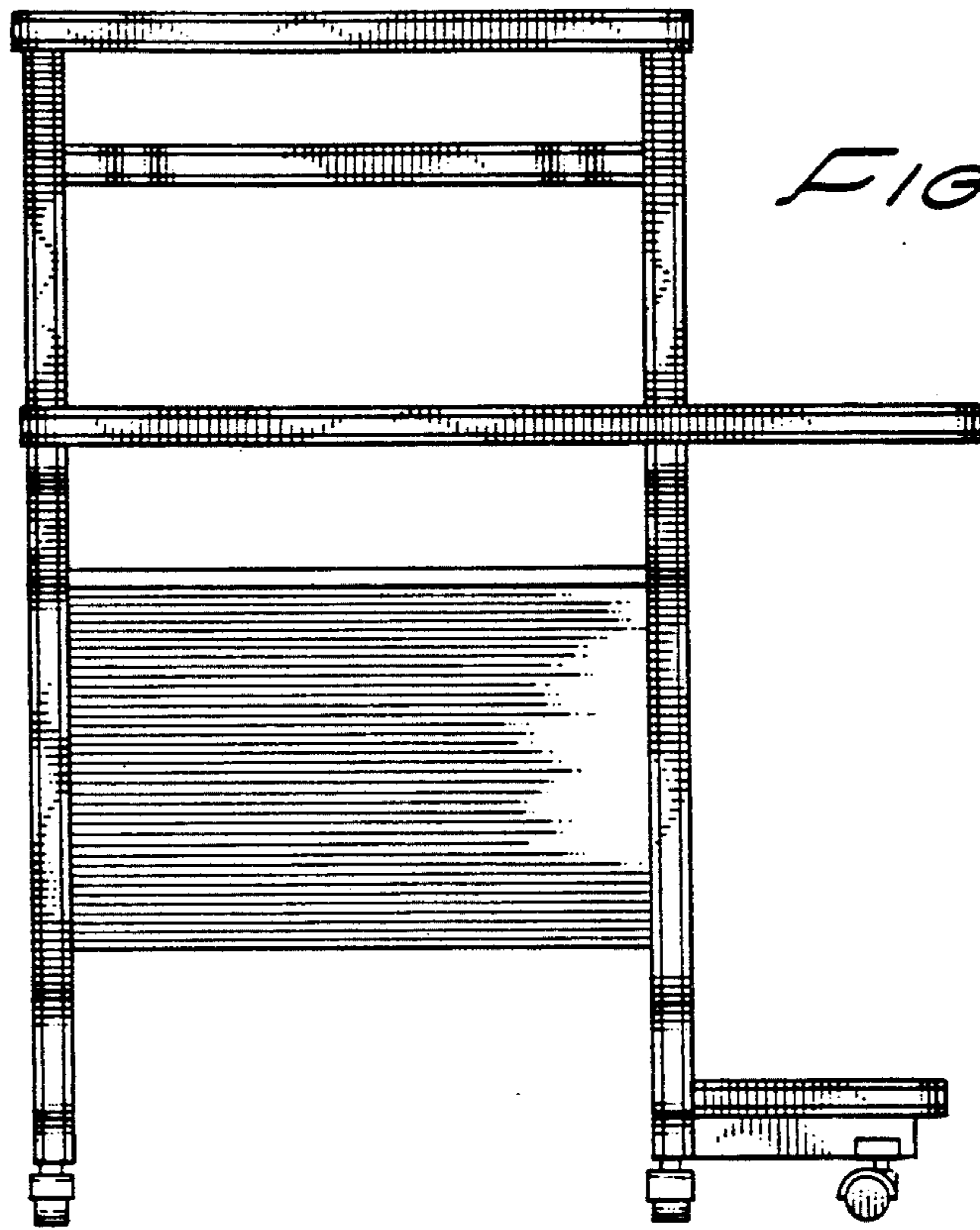


FIG. 3

FIG. 4

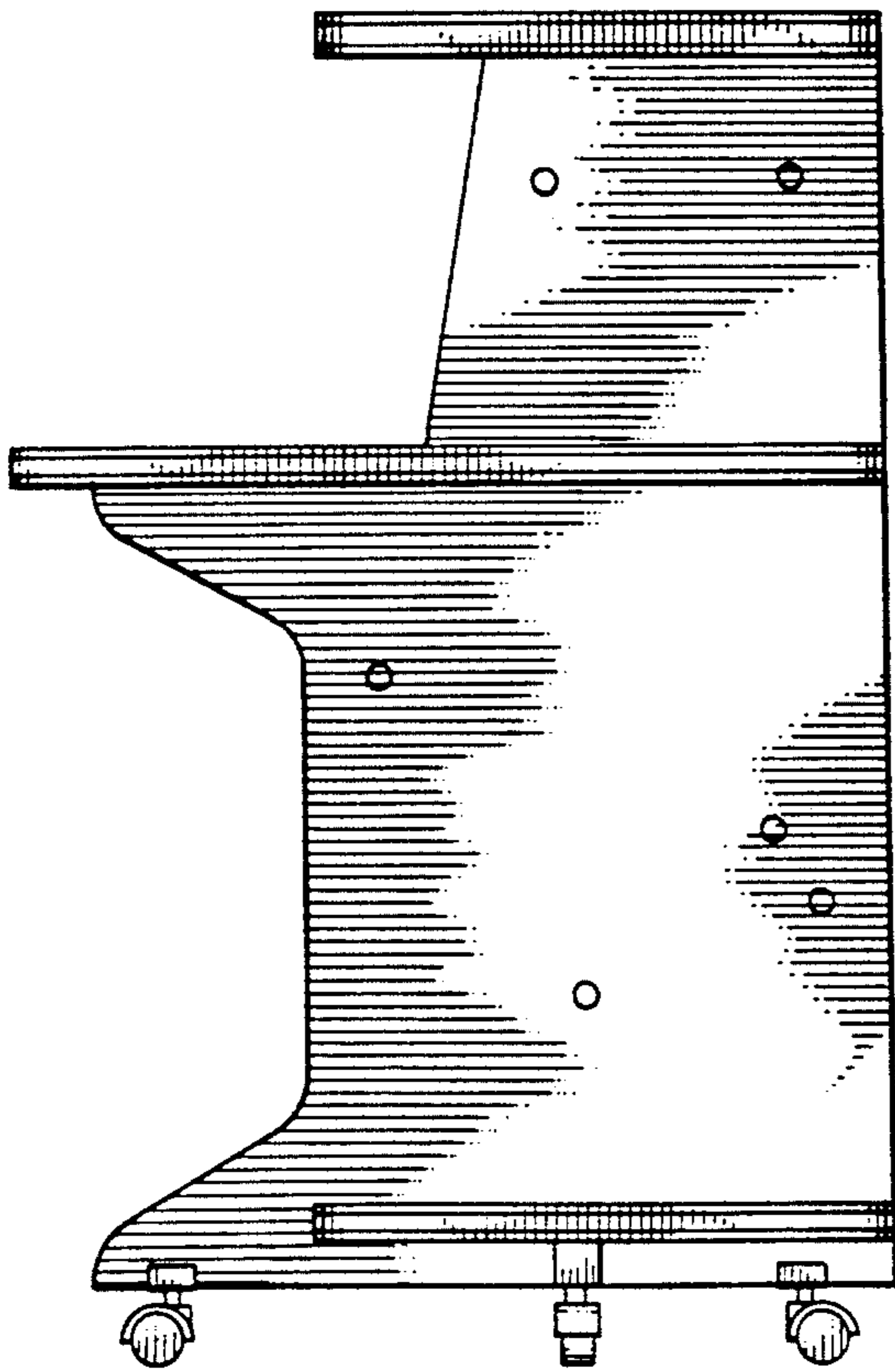
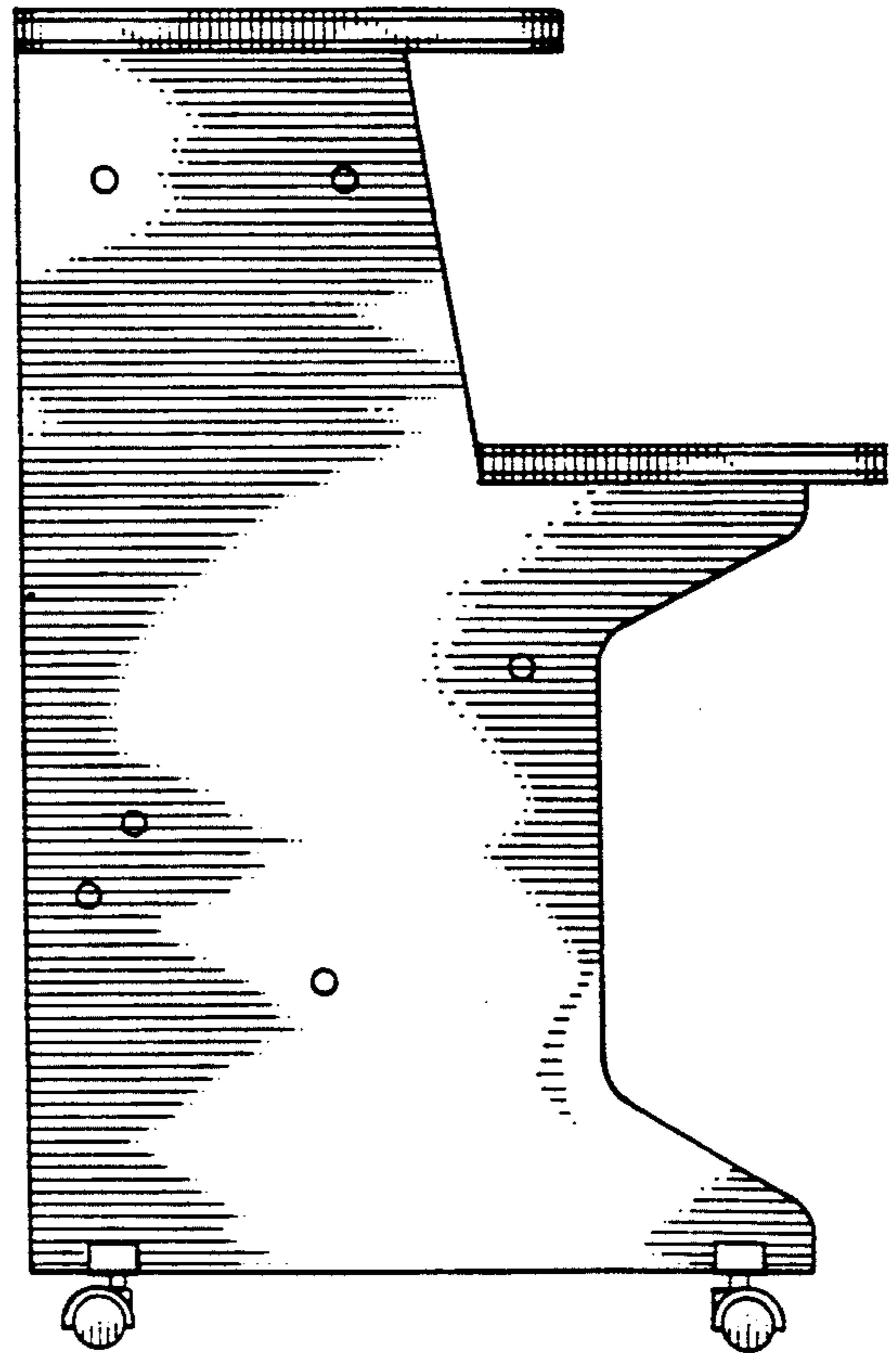


FIG. 5



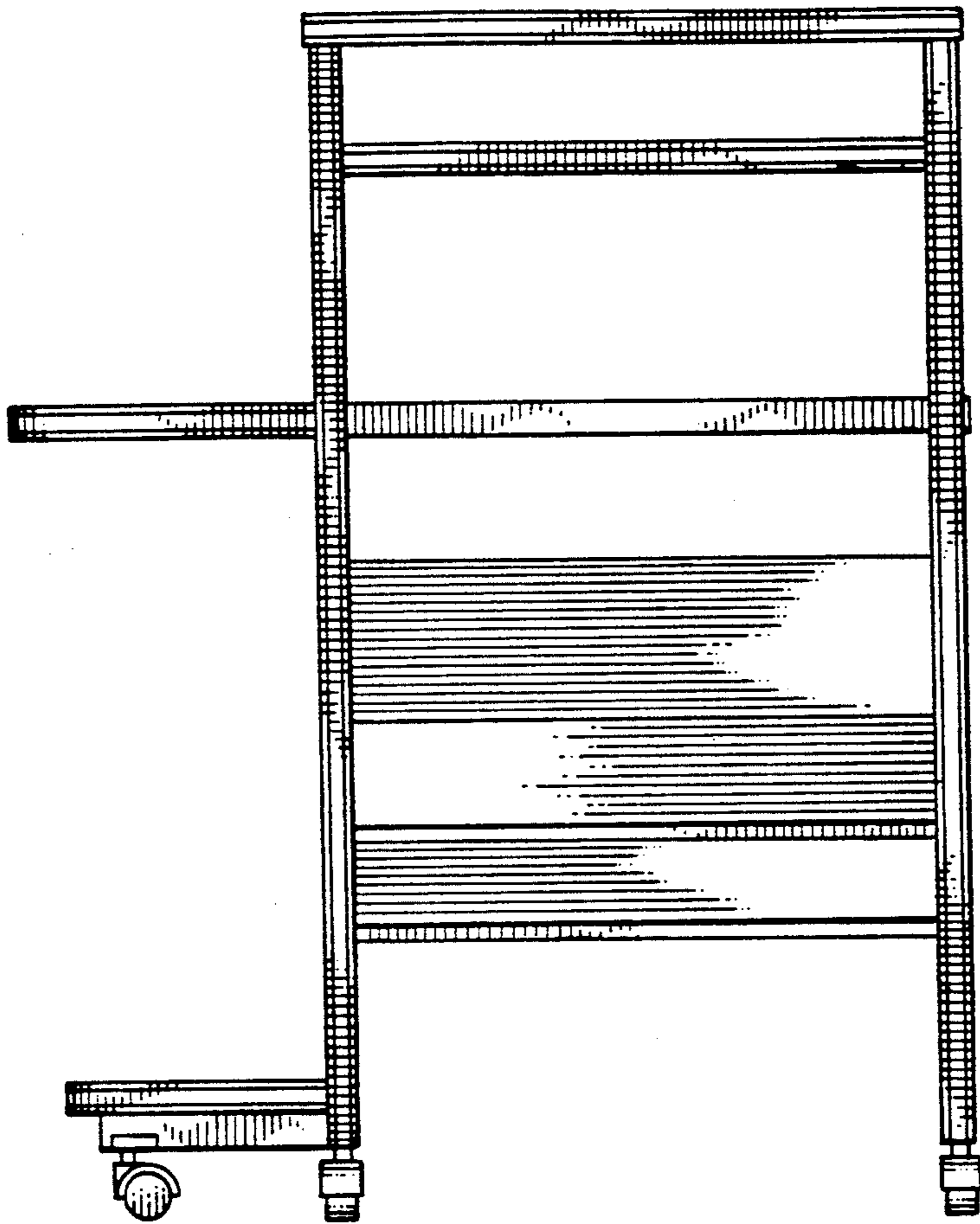


FIG. 6

FIG. 7

