



US00D340791S

United States Patent [19] Wang

[11] Patent Number: **Des. 340,791**

[45] Date of Patent: **** Oct. 26, 1993**

[54] STATIONARY WINCH

4,148,465 4/1979 Bowman 114/343
4,771,988 9/1988 Scroggins, Sr. 254/336

[76] Inventor: **Chung-Jang Wang**, No. 3,
Pei-Chuang Rd., Shen-Kang Hsiang,
Taichung Hsien, Taiwan

Primary Examiner—Kay H. Chin
Attorney, Agent, or Firm—Nixon & Vanderhye

[**] Term: **14 Years**

[57] **CLAIM**

[21] Appl. No.: **813,307**

The ornamental design for stationary winch, as shown and described.

[22] Filed: **Dec. 24, 1991**

[52] U.S. Cl. **D34/33; D34/28**

[58] Field of Search **D34/28, 33; 254/336,
254/342; 114/343, 210, 368**

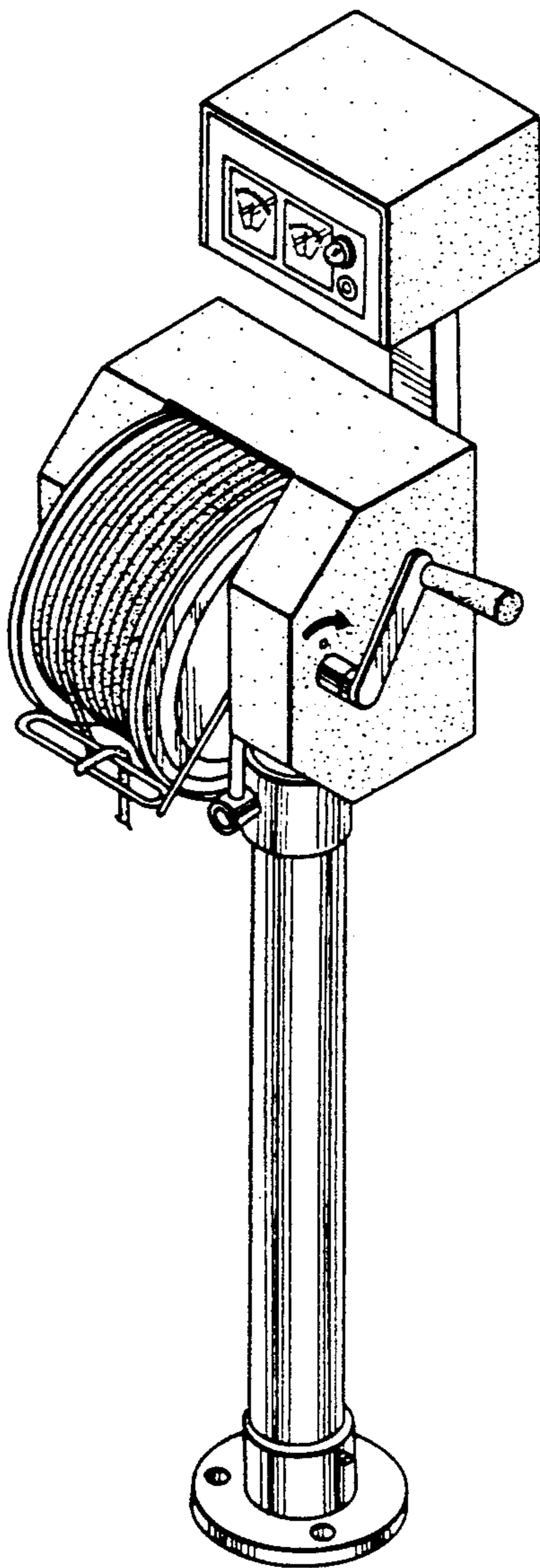
DESCRIPTION

FIG. 1 is a perspective view of stationary winch showing my new design;
FIG. 2 is a front elevational view thereof;
FIG. 3 is a rear elevational view thereof;
FIG. 4 is a left side view thereof;
FIG. 5 is a right side view thereof;
FIG. 6 is a top plan view thereof; and,
FIG. 7 is a bottom plan view thereof.

[56] **References Cited**

U.S. PATENT DOCUMENTS

D. 328,512 8/1992 Miller D34/28
3,671,015 6/1972 Sullivan 254/334



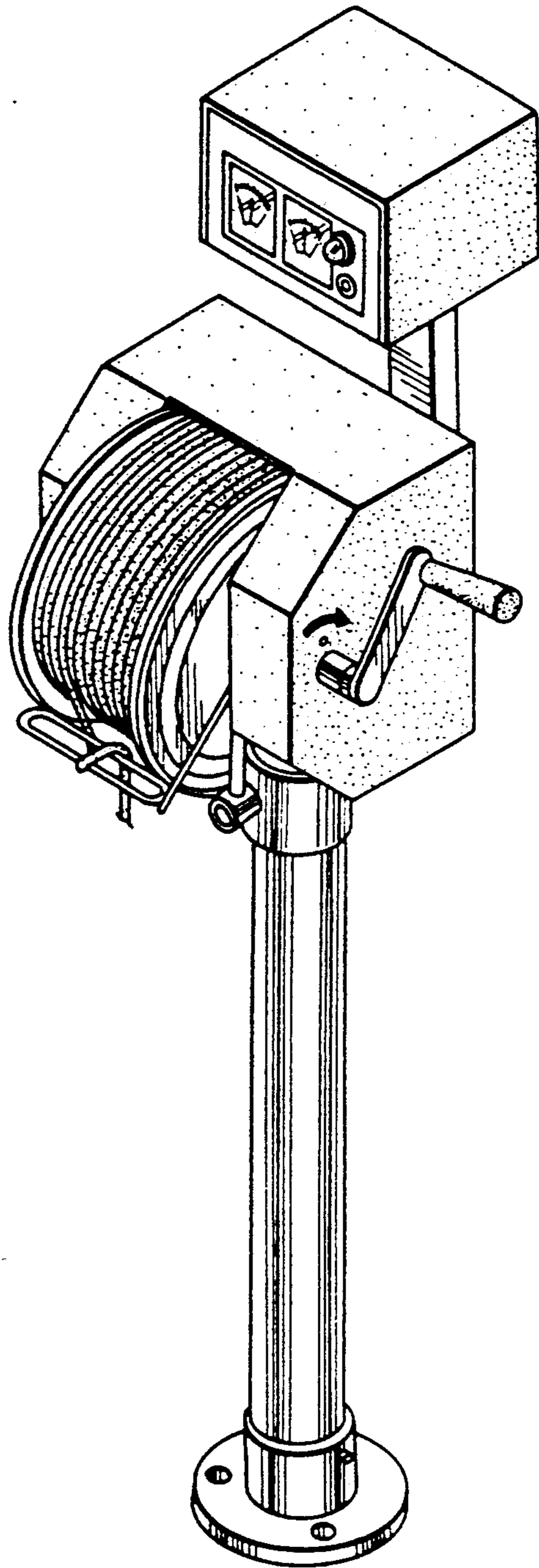


FIG. 1

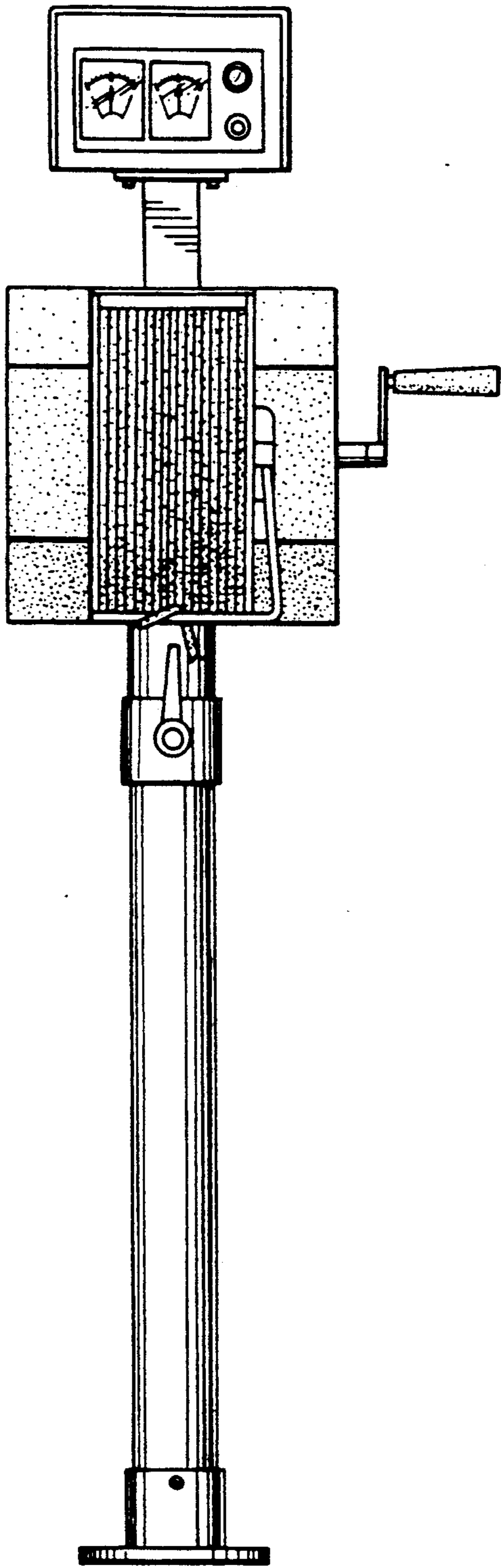


FIG. 2

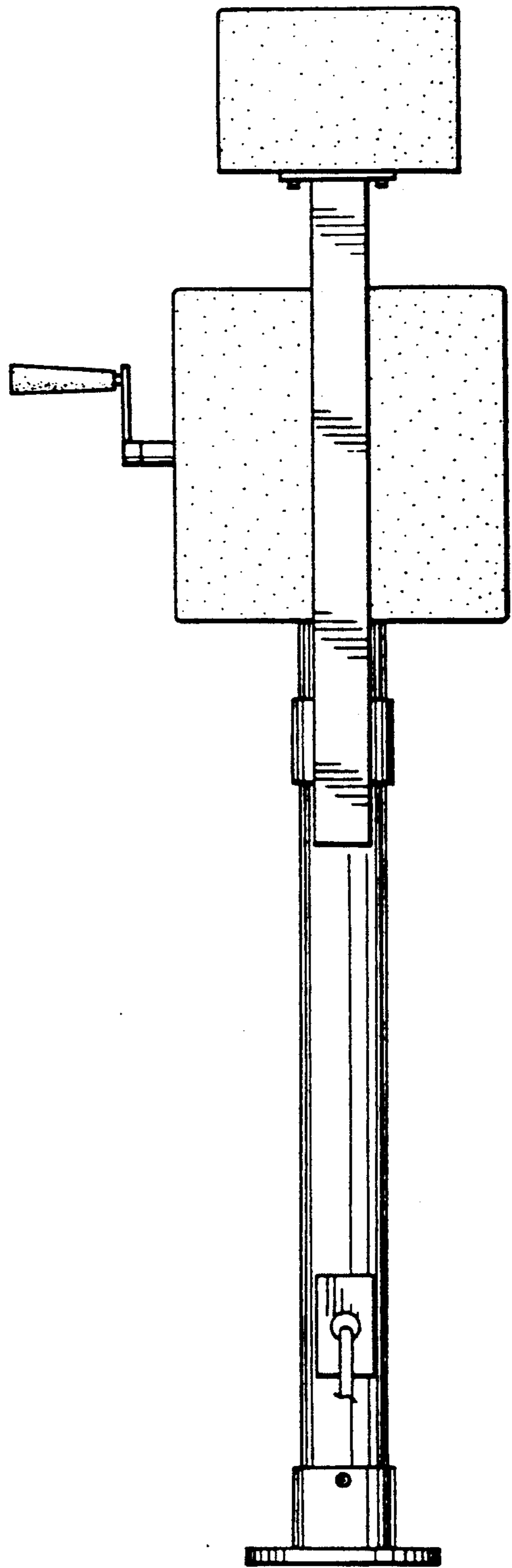


FIG. 3

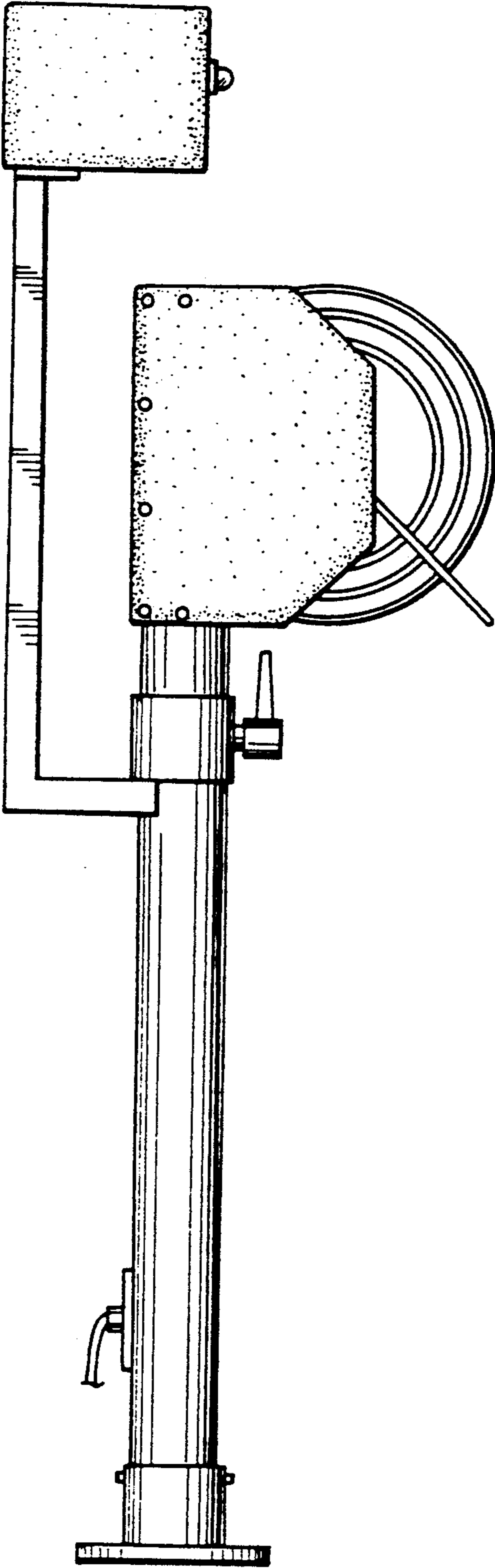


FIG. 4

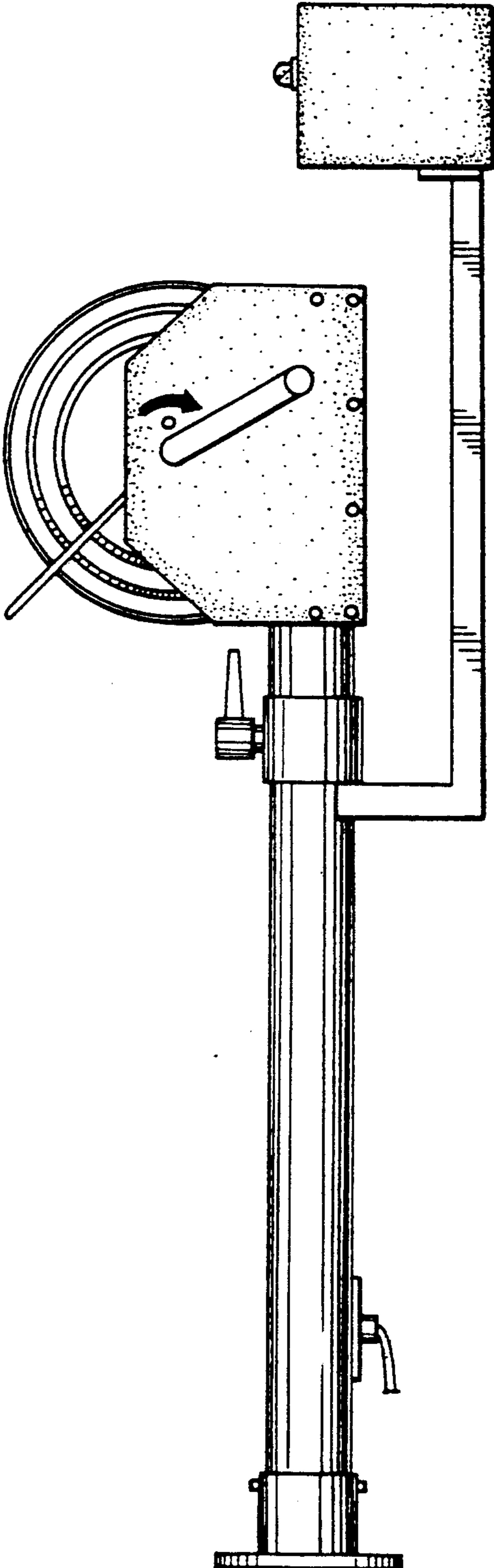


FIG. 5

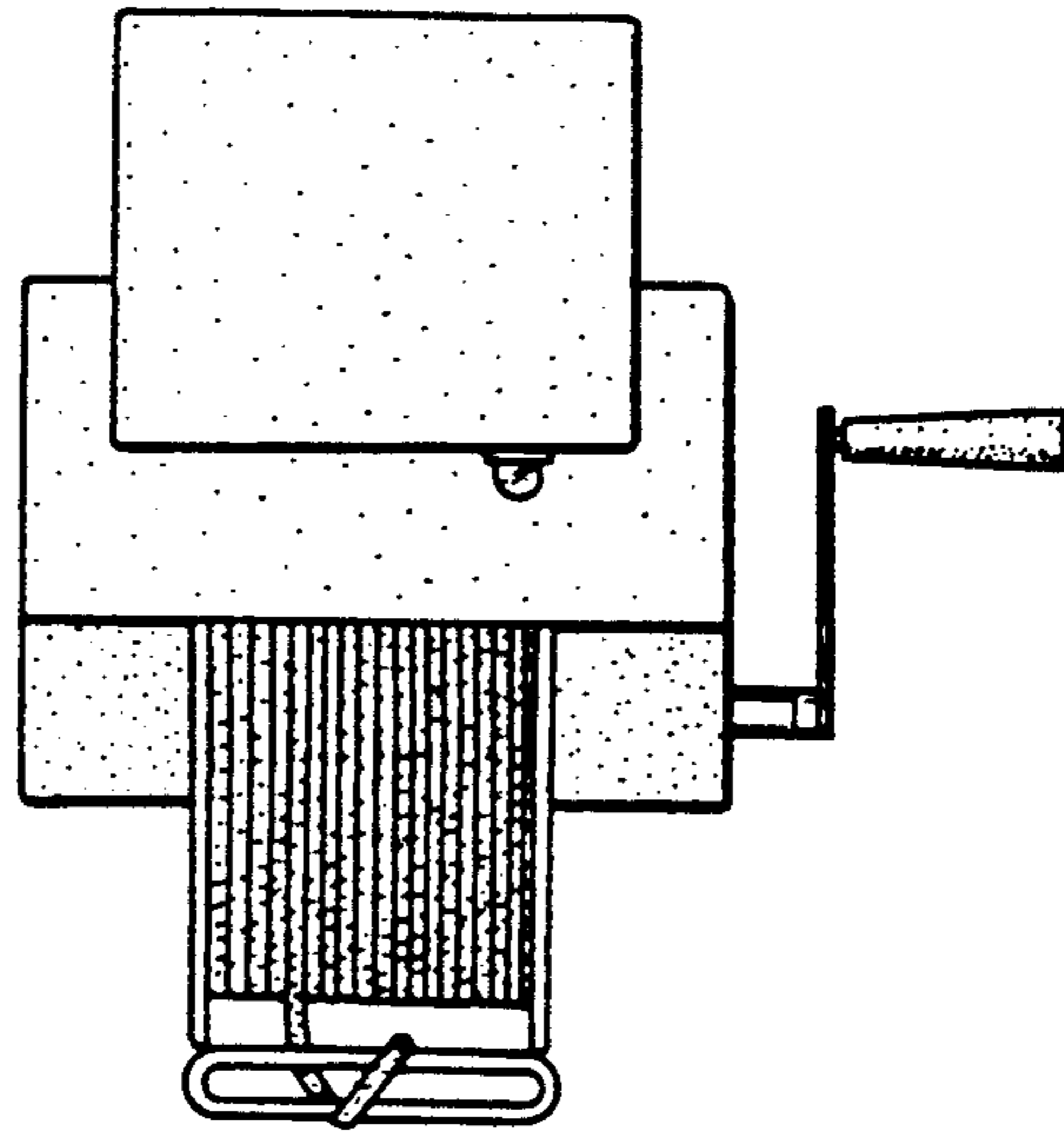


FIG. 6

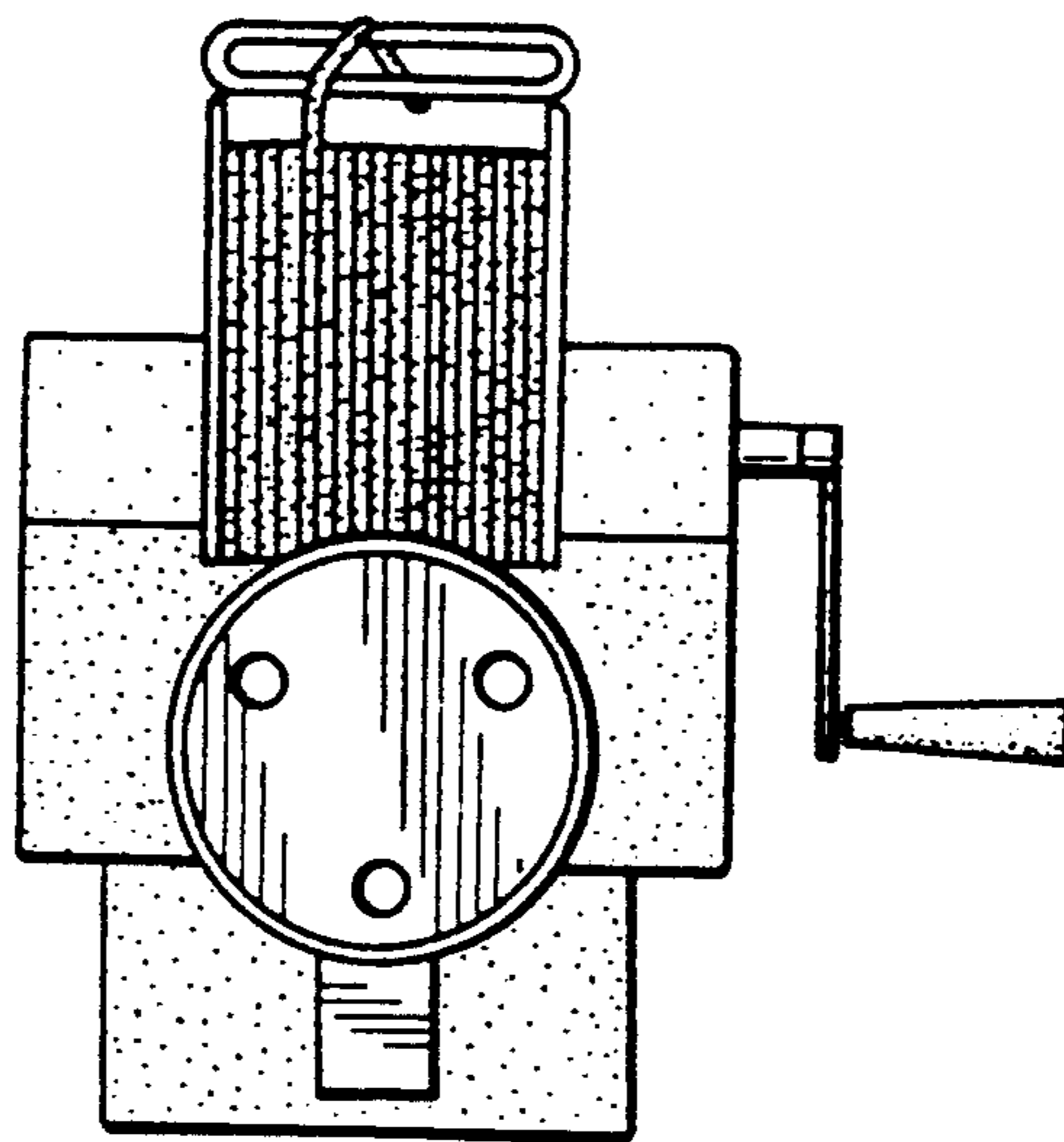


FIG. 7