



US00D340790S

# United States Patent [19]

[11] Patent Number: **Des. 340,790**

Goodrich et al.

[45] Date of Patent: **\*\* Oct. 26, 1993**

[54] SAFETY SUPPORT DEVICE FOR A MOBILE HOME

3,750,349 8/1973 Deike ..... 52/23  
4,148,162 4/1979 Goodrich ..... 52/23

[76] Inventors: **Donald E. Goodrich**, 763 Dodge St., Delta, Colo. 81416; **Daniel L. Goodrich**, 468 W. 1st St., Palisade, Colo. 81526

*Primary Examiner*—Wallace R. Burke  
*Assistant Examiner*—H. Baynham  
*Attorney, Agent, or Firm*—Donald W. Erickson

[\*\*] Term: **14 Years**

[57] **CLAIM**

[21] Appl. No.: **794,164**

The ornamental design for a safety support device for a mobile home, as shown and described.

[22] Filed: **Nov. 18, 1991**

**DESCRIPTION**

[52] U.S. Cl. .... **D34/31; D25/68; D12/106**

FIG. 1 is a side elevational view of a safety support device for a mobile home showing our new design with the opposite side being a mirror image except for the presence of the lever;

[58] Field of Search ..... 52/23; 280/764.1; D8/349; D34/31; D25/68; D12/106

FIG. 2 is a front elevational view thereof;

[56] **References Cited**

**U.S. PATENT DOCUMENTS**

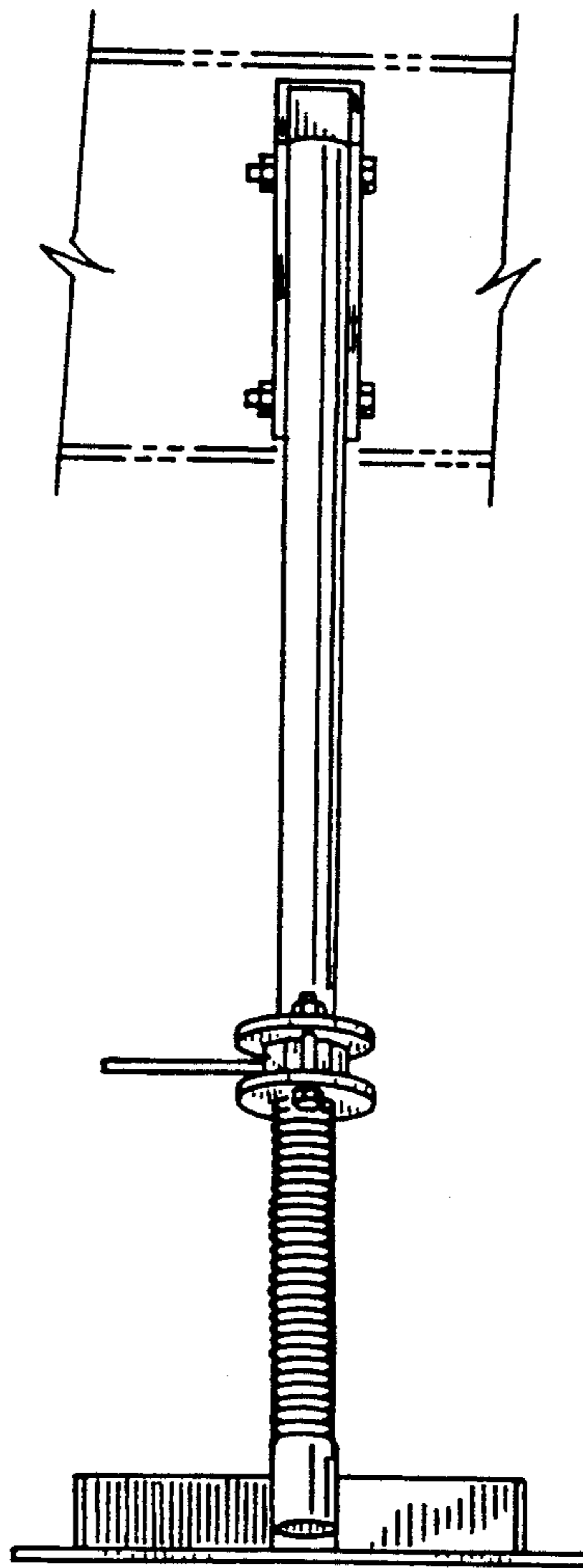
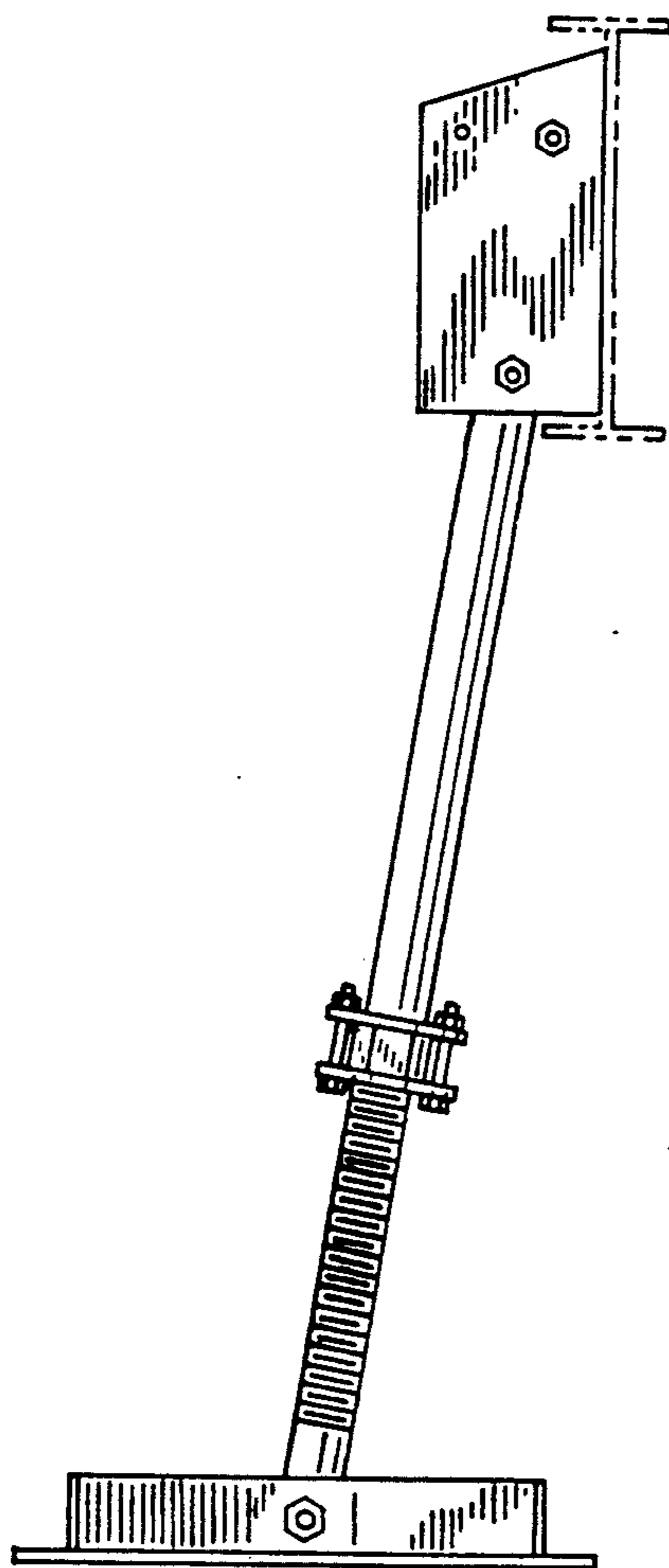
- D. 216,432 1/1970 Grosz ..... D34/31
- D. 254,129 2/1980 Johnson ..... D34/31
- D. 279,661 7/1985 Heard ..... D34/31 X
- D. 309,818 8/1990 Bink ..... D34/31

FIG. 3 is a top plan view thereof; and,

FIG. 4 is a rear elevational view thereof.

The beam shown in broken lines in FIGS. 1 and 2 is for illustrative purposes only and is not part of the invention.

The bottom view of the claimed design is planar with openings as shown in FIG. 3.



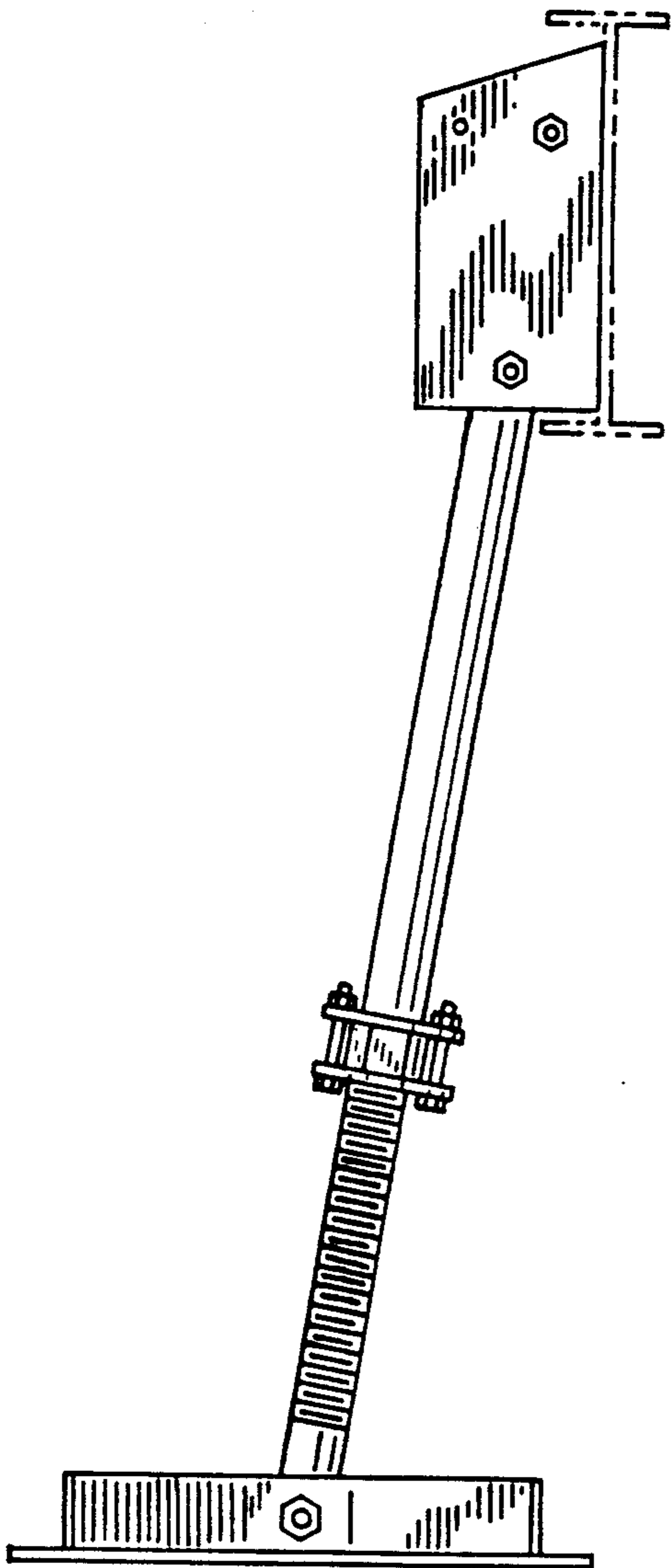


FIG. 1

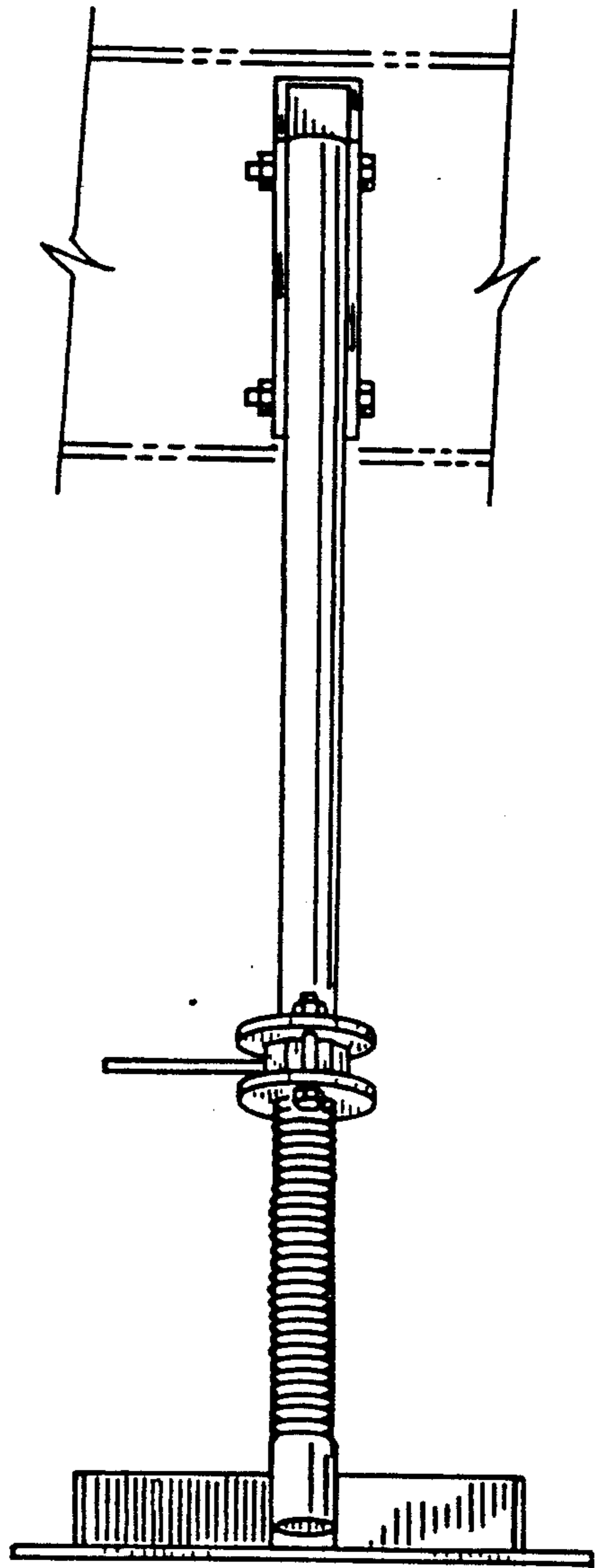


FIG. 2

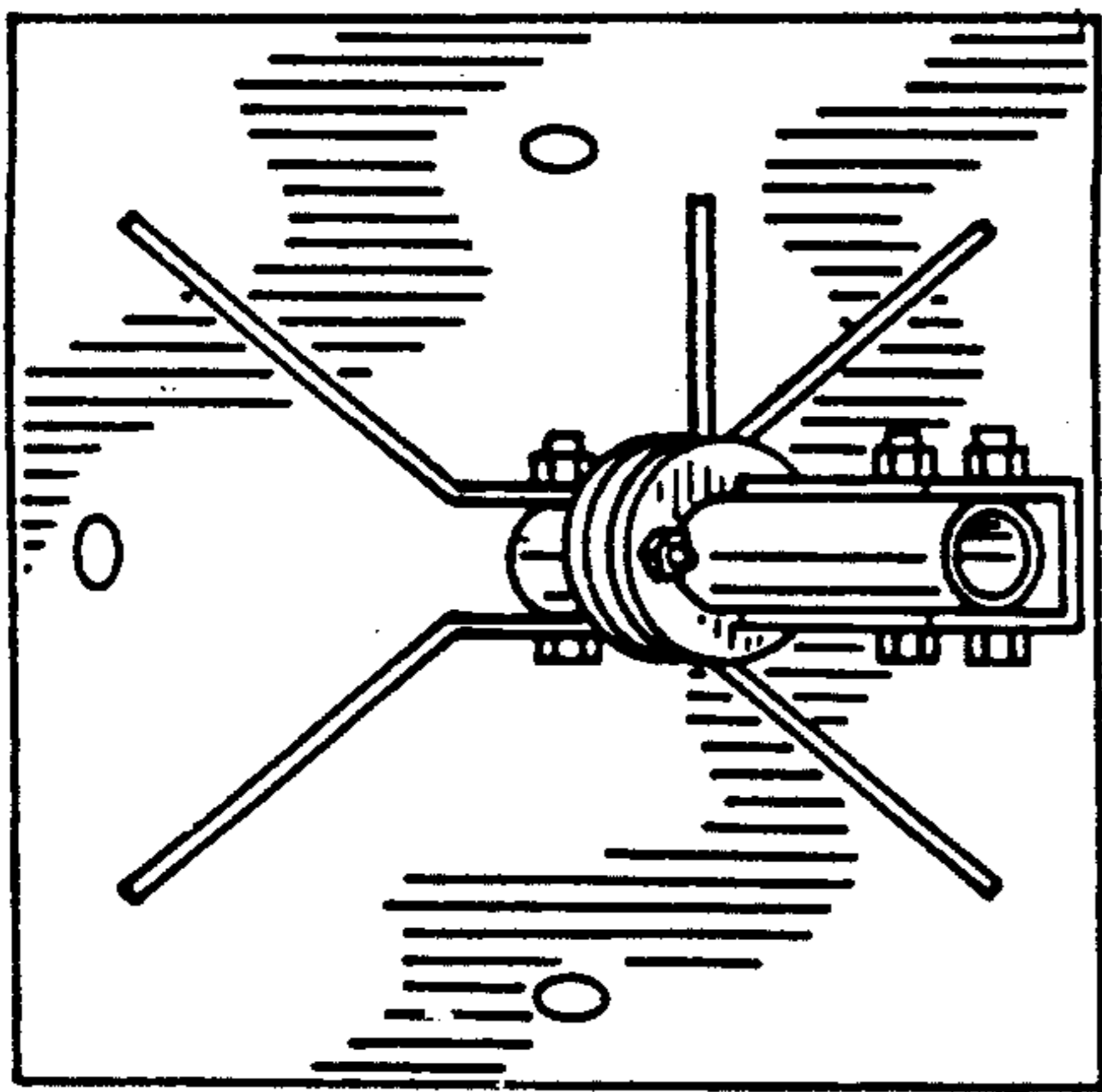


FIG. 3

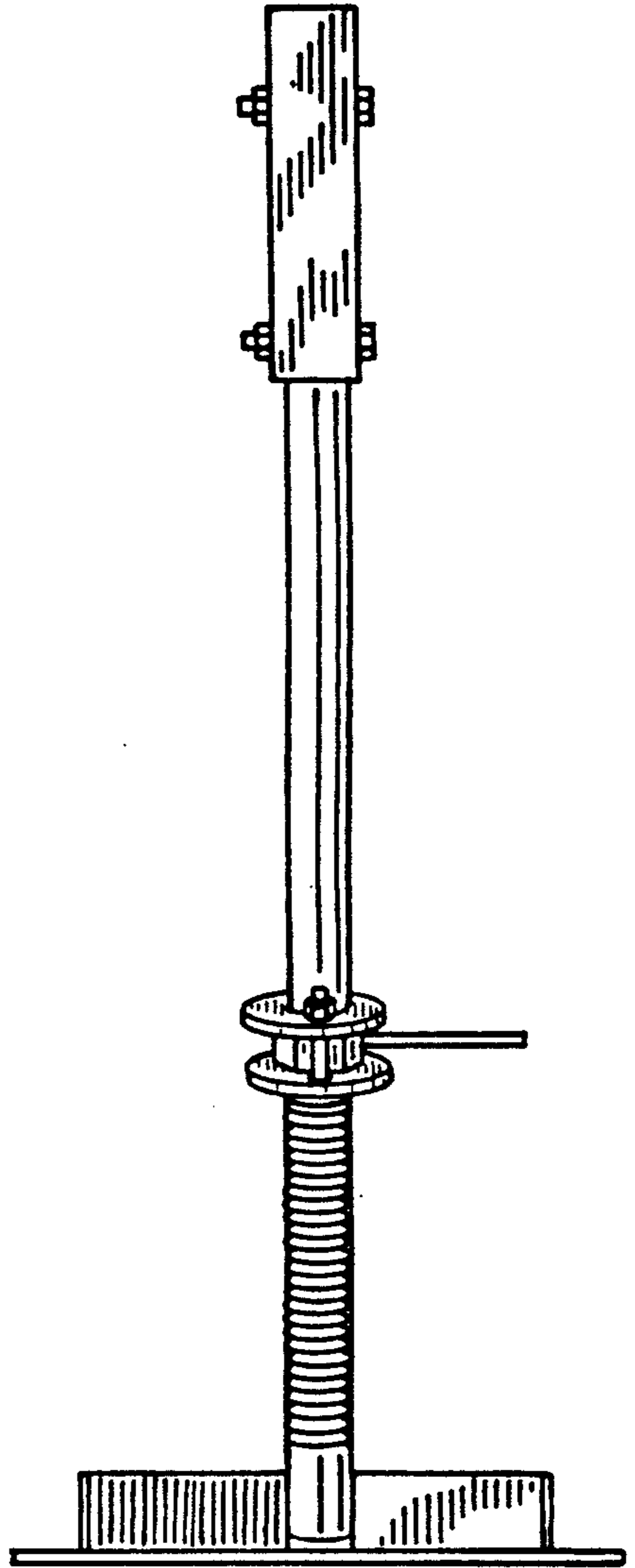


FIG. 4