



US00D340787S

United States Patent [19]

Laursen

[11] Patent Number: **Des. 340,787**

[45] Date of Patent: **** Oct. 26, 1993**

[54] **GOLF CART WITH YARDAGE COUNTER**

[76] Inventor: **Doug Laursen**, 5900 Yonge St., #406,
North York, Ont., Canada,
M2M-3T8

[**] Term: **14 Years**

[21] Appl. No.: **895,867**

[22] Filed: **Jun. 9, 1992**

[52] U.S. Cl. **D34/15; D34/24**

[58] Field of Search **D34/12, 15; 280/DIG. 6,
280/DIG. 5, 47.26, 47.25, 646; 248/96**

3,726,537 4/1973 McLoughlin .
3,784,138 1/1974 Herling et al. 248/96
4,988,117 1/1991 Shortall 280/DIG. 6
5,180,179 1/1993 Salvucci 280/47.26

Primary Examiner—Kay H. Chin
Attorney, Agent, or Firm—Terry M. Gernstein

[57] CLAIM

The ornamental design for a golf cart with yardage counter, as shown and described.

DESCRIPTION

FIG. 1 is a top, front and left-side perspective view of the golf cart with yardage counter showing my new design;

FIG. 2 is a front elevational view thereof;
FIG. 3 is a rear elevational view thereof;
FIG. 4 is a right side elevational view thereof;
FIG. 5 is a top plan view thereof; and,
FIG. 6 is a bottom plan view thereof.

[56] References Cited

U.S. PATENT DOCUMENTS

D. 269,472 6/1983 Avis D34/15
D. 302,616 8/1989 Hartmann D34/15
2,777,707 1/1957 Cloes 280/DIG. 6
3,707,279 12/1972 Kaiser .
3,708,004 1/1973 Seibold .

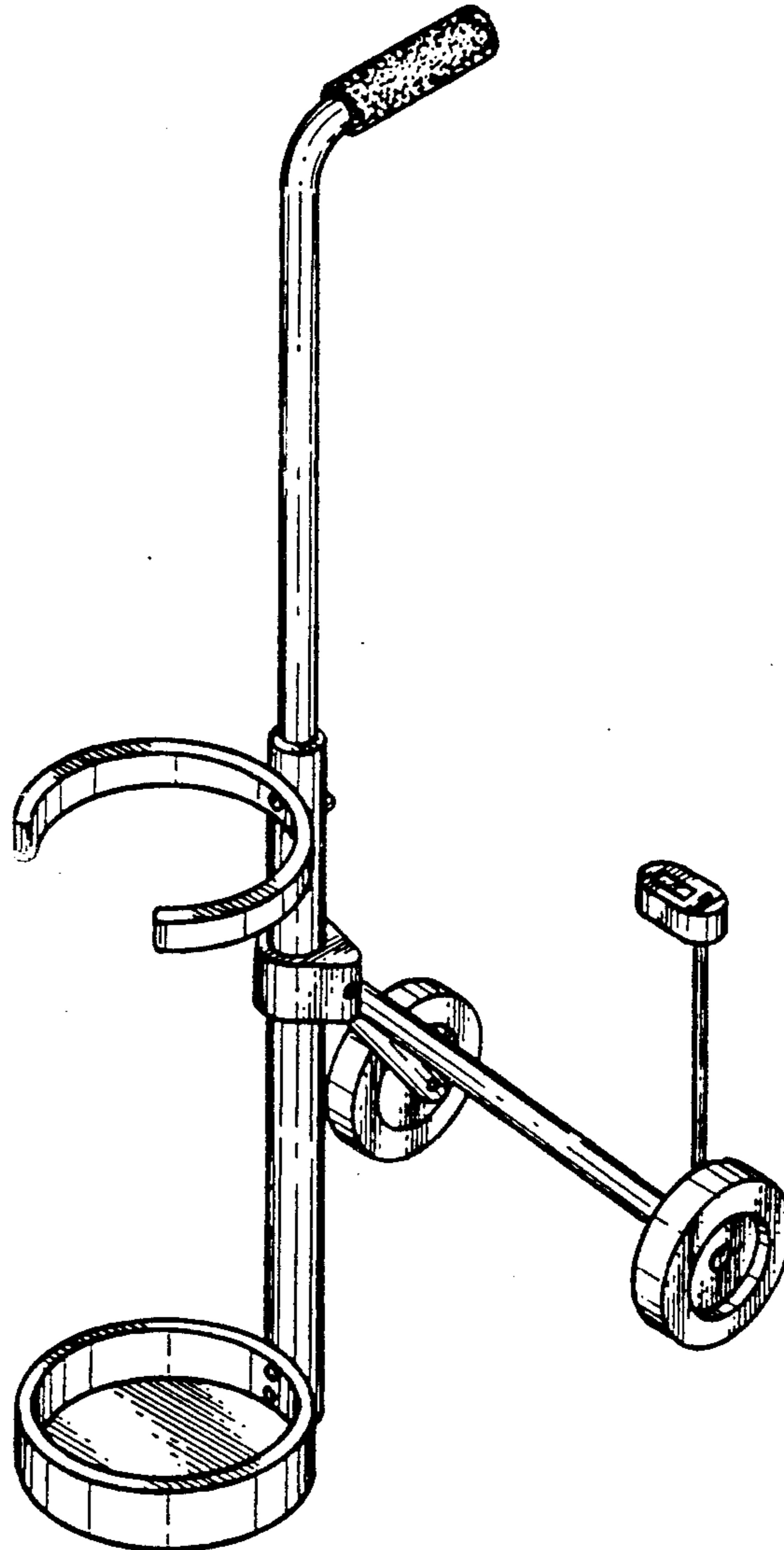
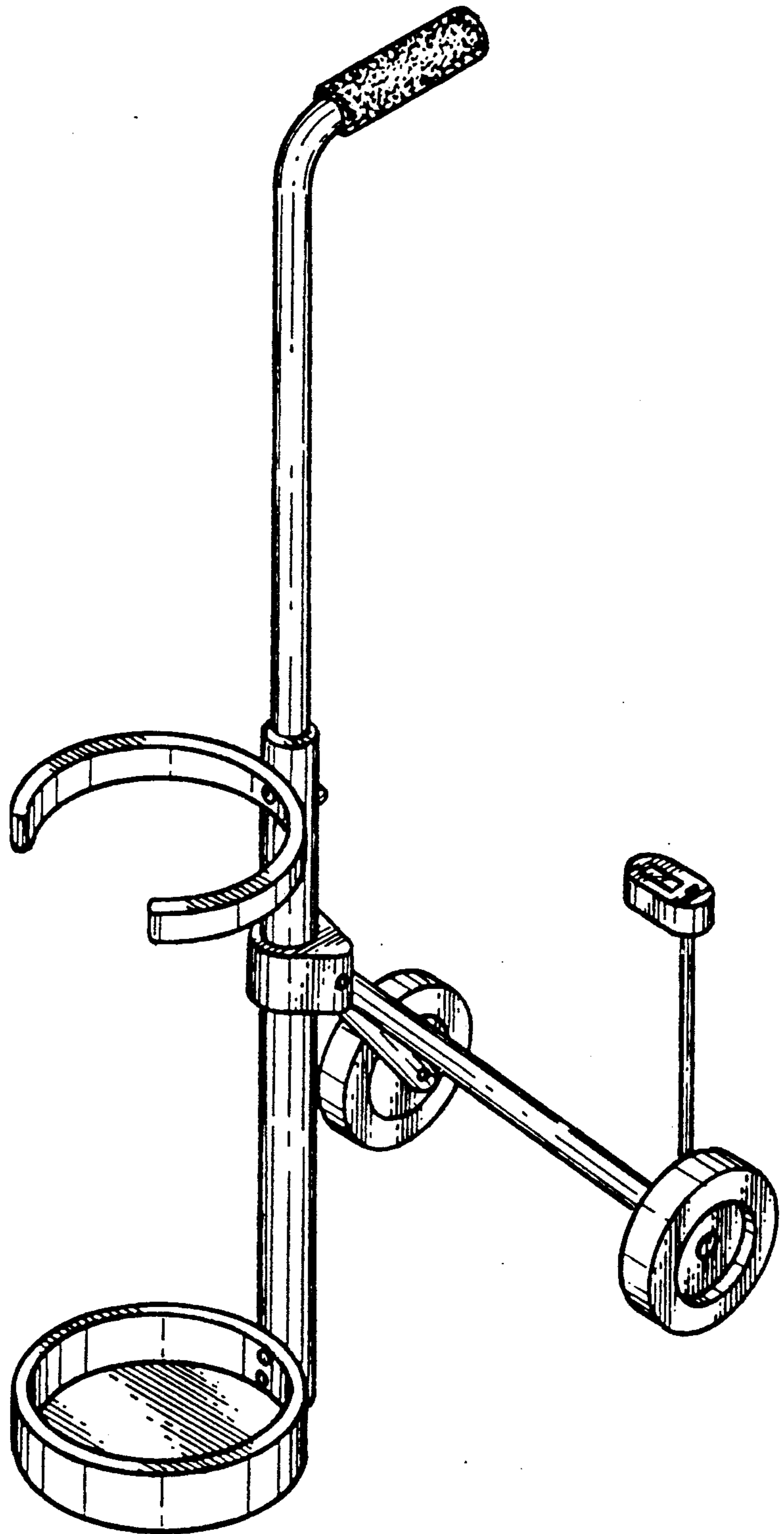


FIG. 1



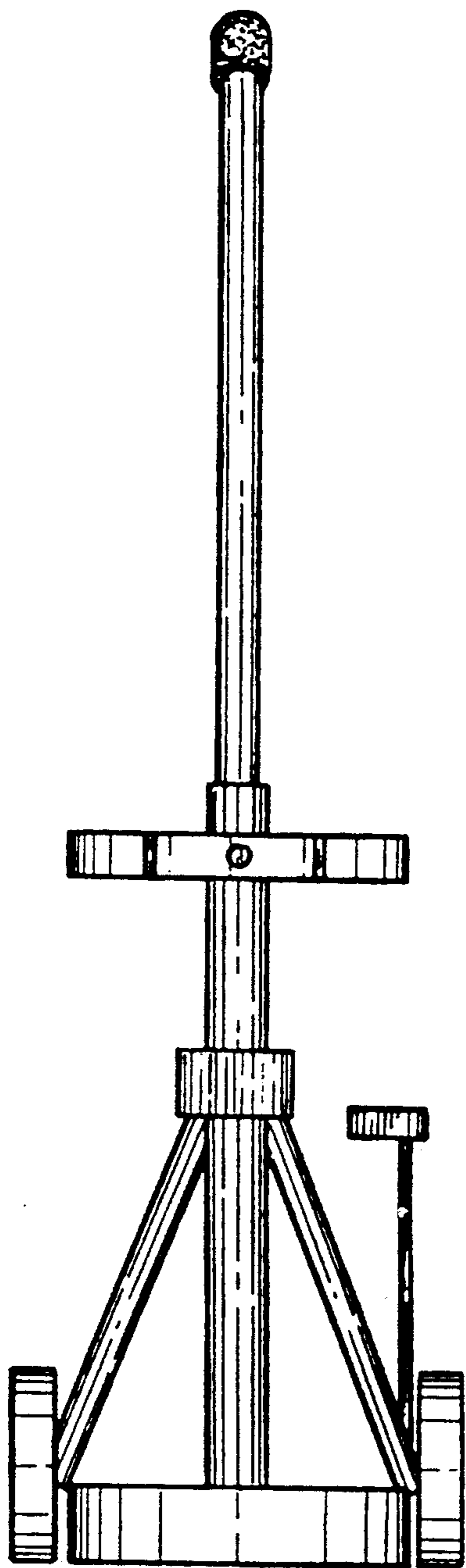


FIG. 2

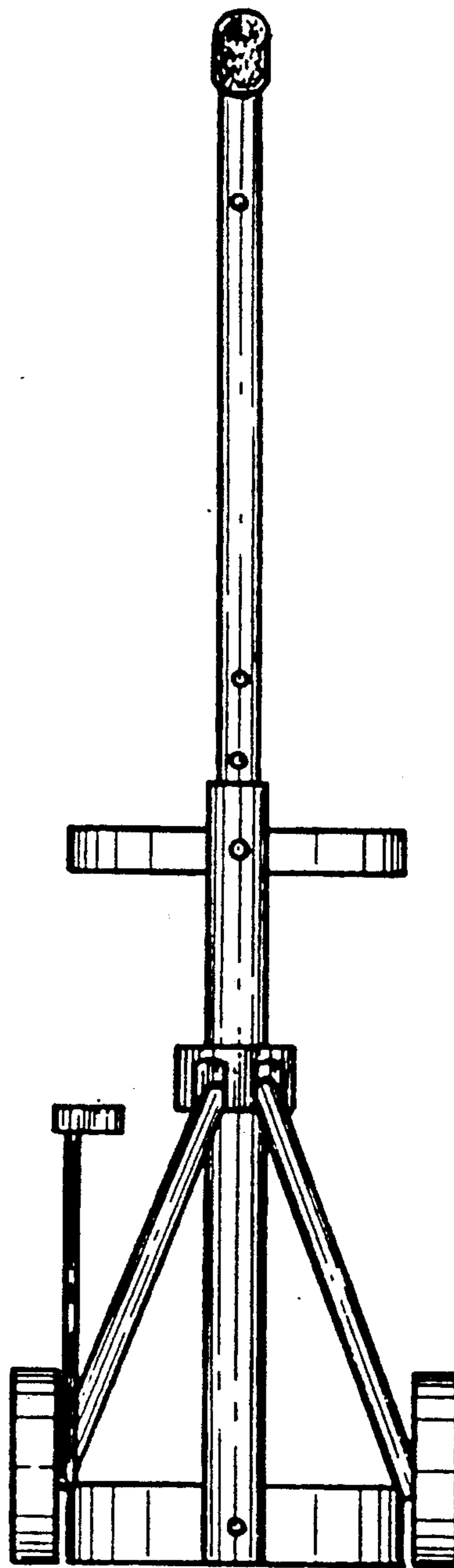


FIG. 3

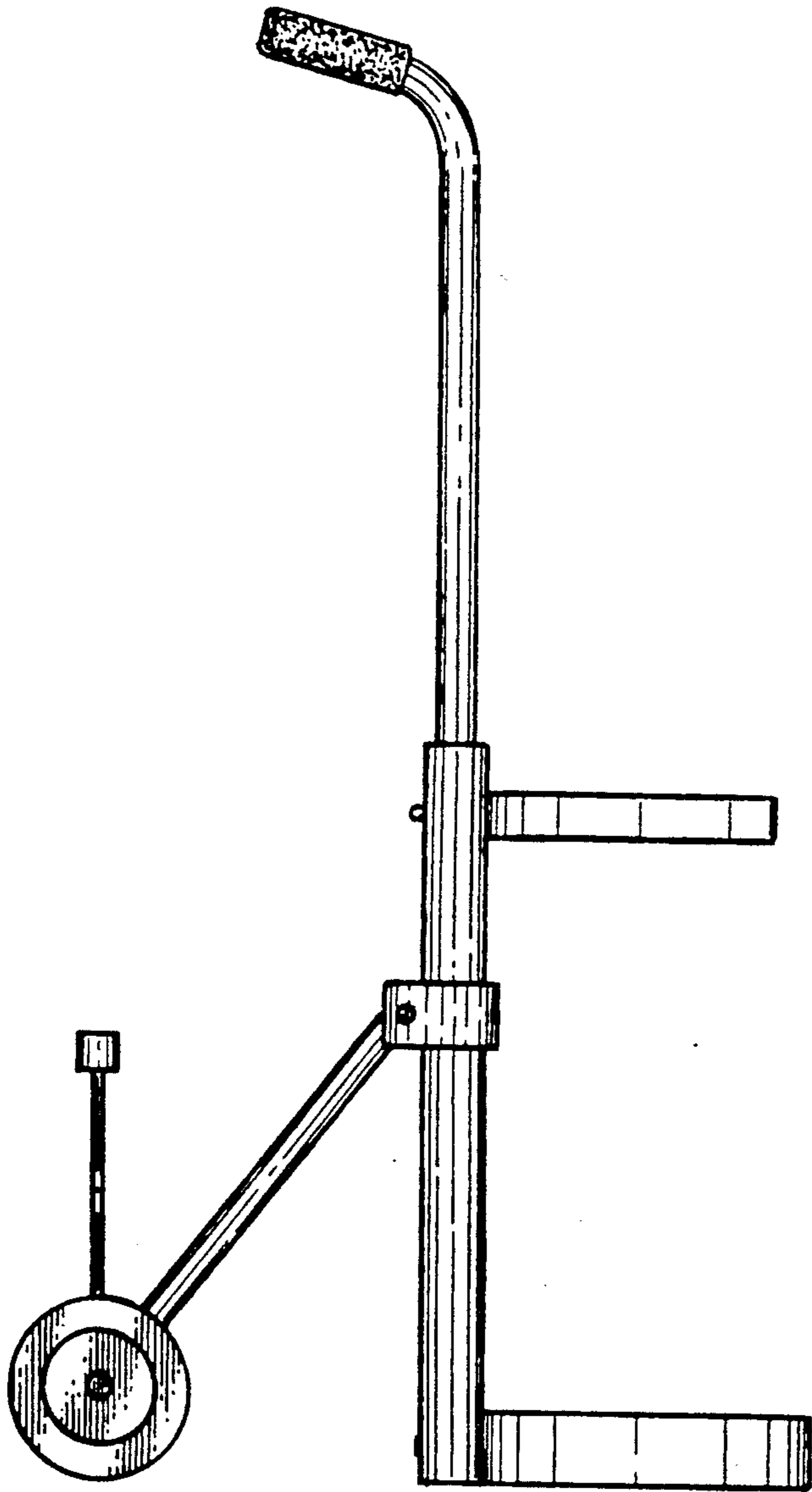


FIG. 4

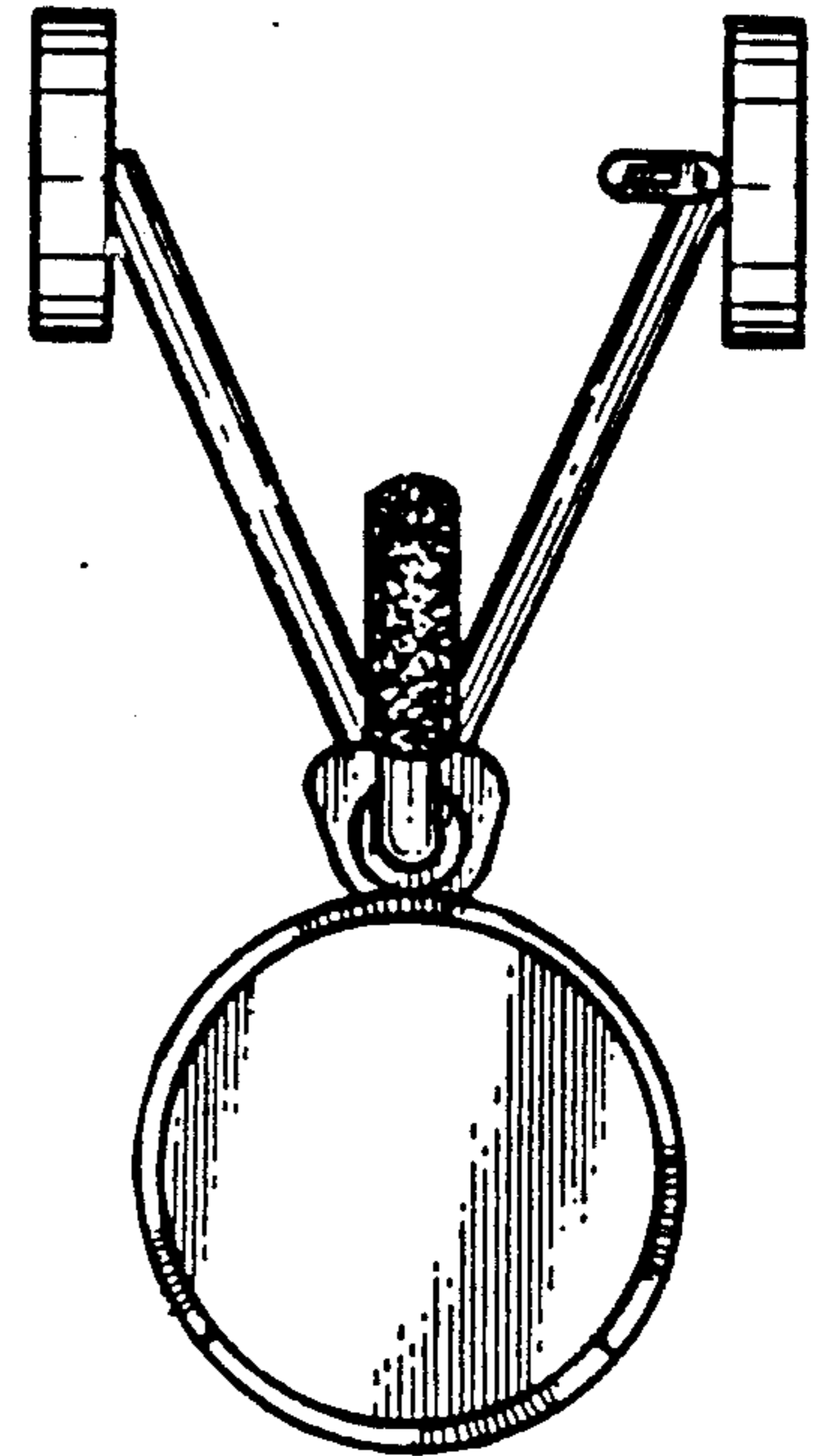


FIG. 5

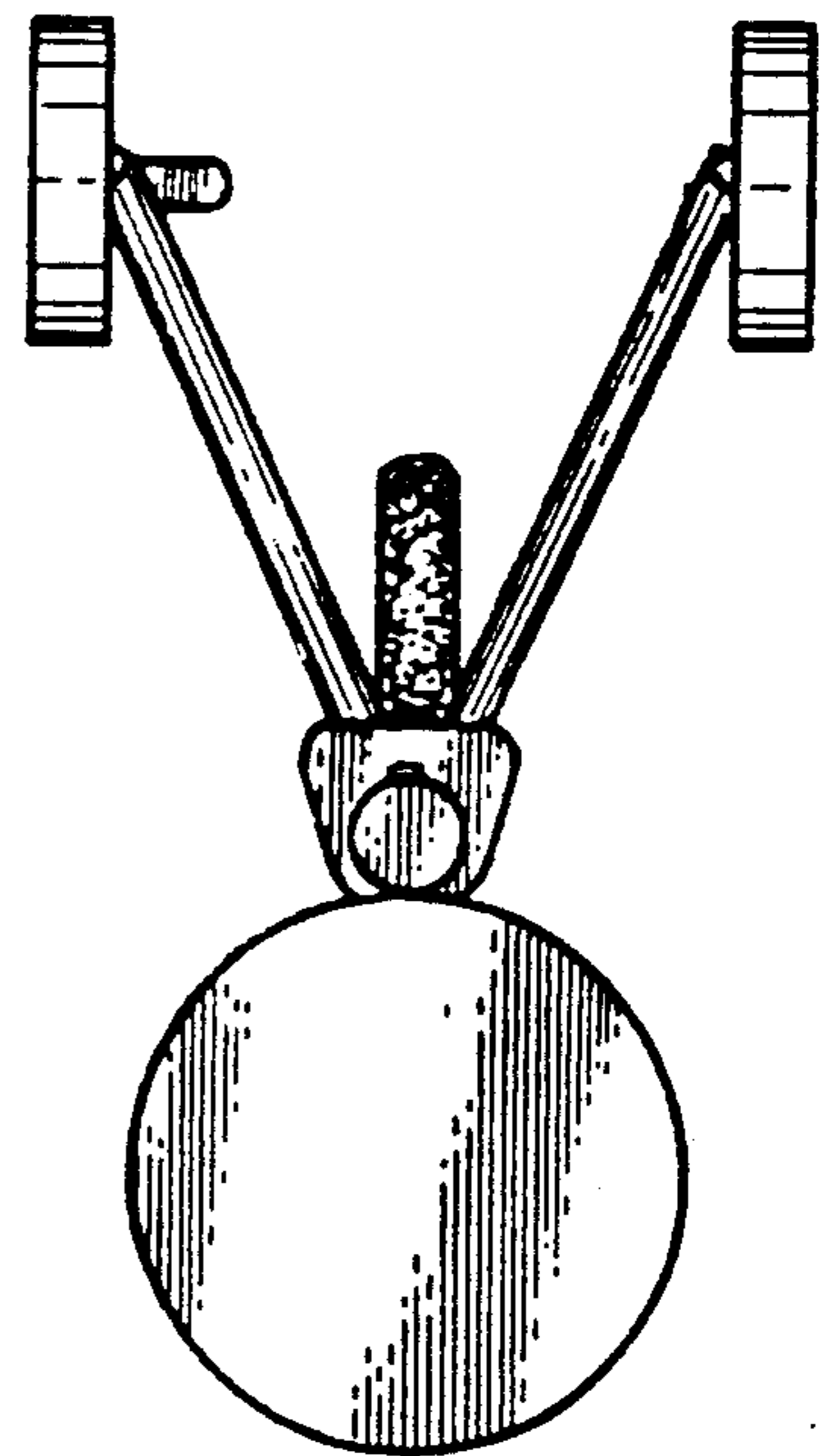


FIG. 6