



US00D340786S

United States Patent [19]

[11] Patent Number: **Des. 340,786**

Jones

[45] Date of Patent: **** Oct. 26, 1993**

[54] **PORTABLE POOL CLEANING DEVICE**

3,910,781 10/1975 Bryant, Jr. 15/314

[76] Inventor: **Thomas S. Jones**, 5008 White Oak Rd., Charlotte, N.C. 28210

Primary Examiner—Ruth McInroy
Attorney, Agent, or Firm—Shefte, Pinckney & Sawyer

[**] Term: **14 Years**

[57] **CLAIM**

[21] Appl. No.: **789,465**

The ornamental design for a portable pool cleaning device, as shown and described.

[22] Filed: **Nov. 8, 1991**

[52] U.S. Cl. **D32/21; D32/1**

[58] Field of Search 15/301, 306.1, 312.2, 15/314, 327.2, 327.6, 340.2, 1.7; D32/1, 21, 22; 210/169

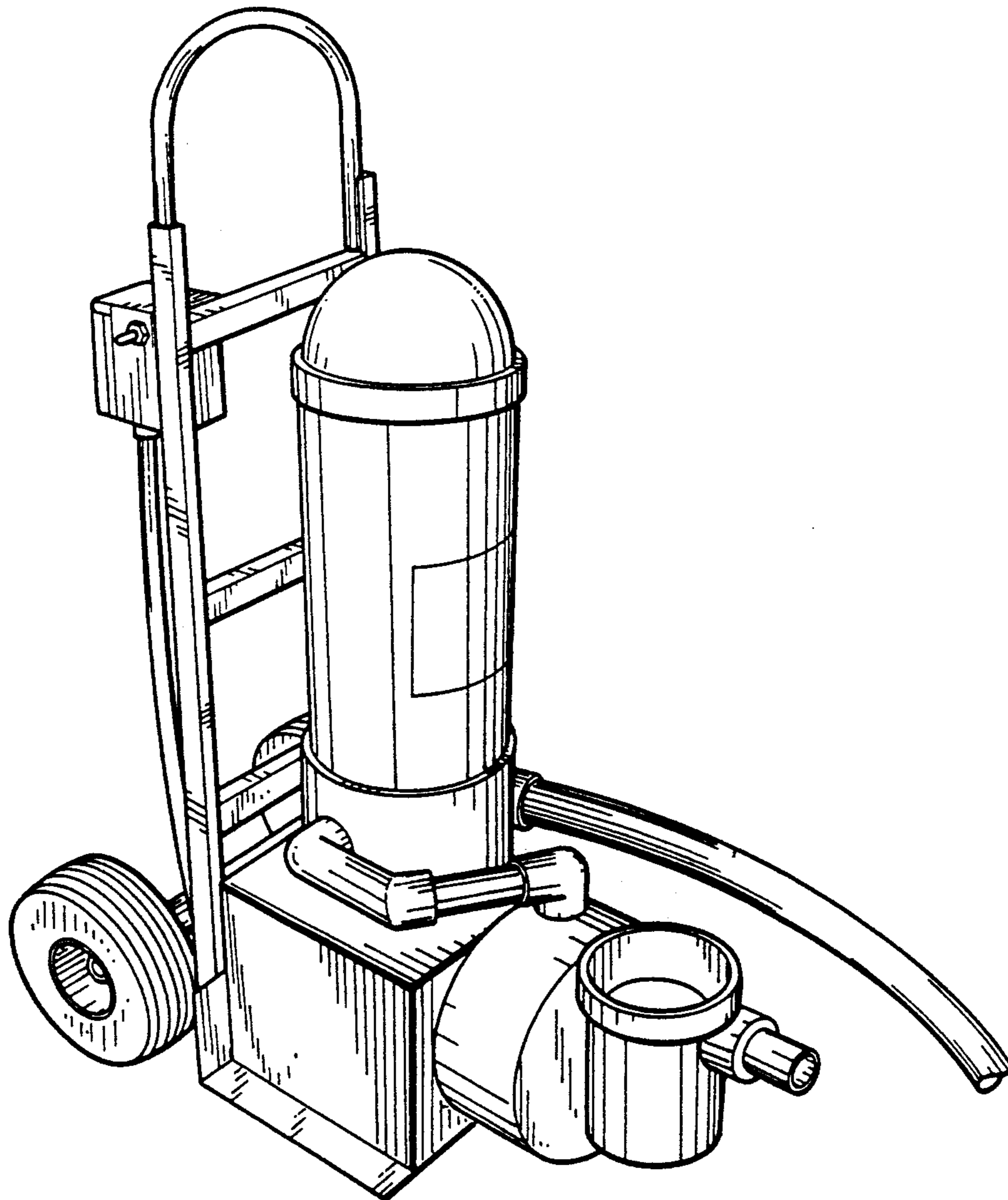
DESCRIPTION

[56] **References Cited**

U.S. PATENT DOCUMENTS

D. 280,561	9/1985	Gard	D32/21
D. 304,505	11/1989	Maier et al.	D32/1
D. 325,452	4/1992	Geffer	D32/21
D. 325,796	4/1992	Kallenbach	D32/1

FIG. 1 is a perspective view of a portable pool cleaning device showing my new design; FIG. 2 is a left side elevational view thereof; FIG. 3 is a front elevational view thereof; FIG. 4 is a top plan view thereof; FIG. 5 is a right side elevational view thereof; and, FIG. 6 is a rear elevational view thereof. The undisclosed bottom view is plain and unornamented. The hose shown broken away in all views represents indeterminate length.



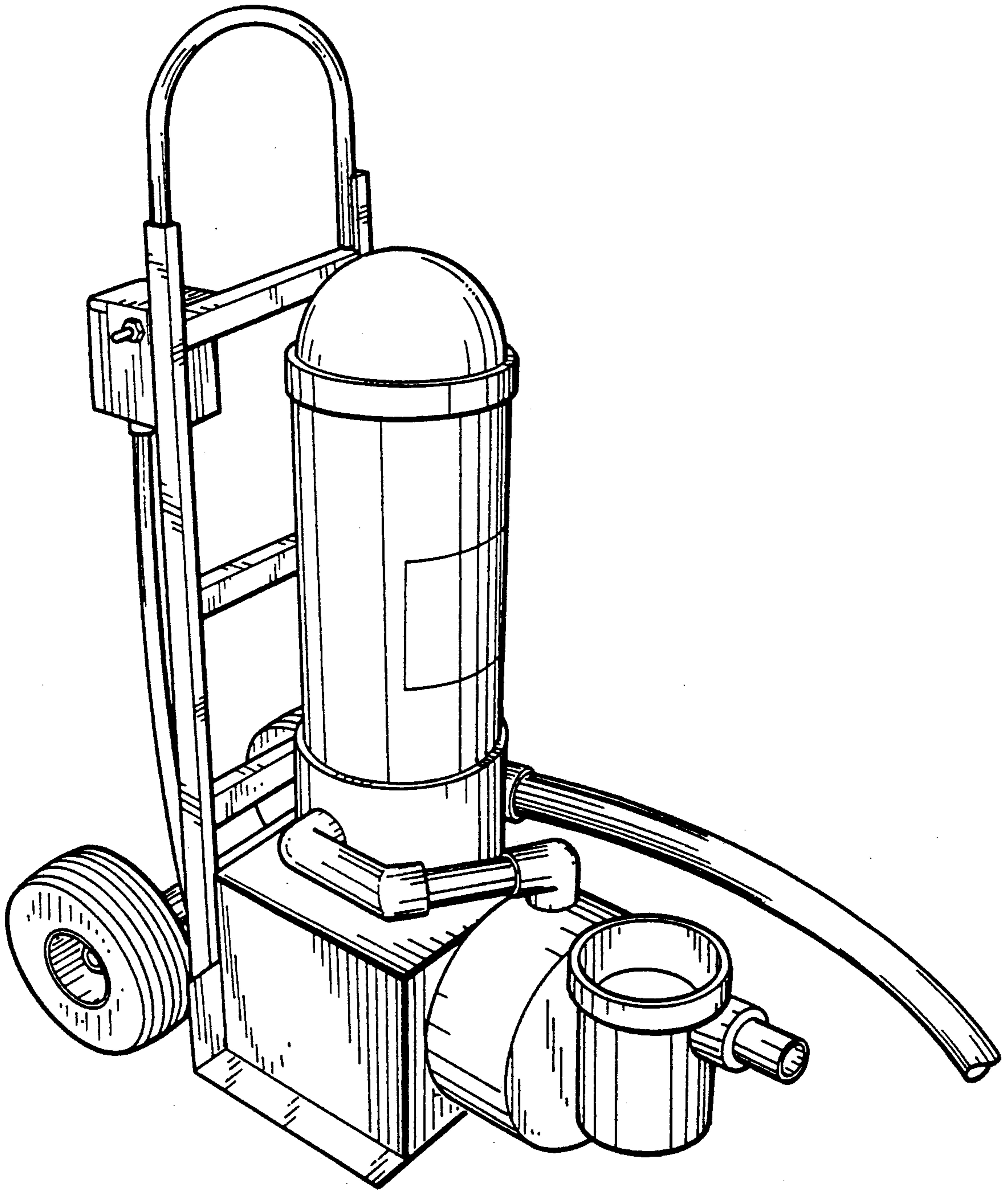


Fig. 1

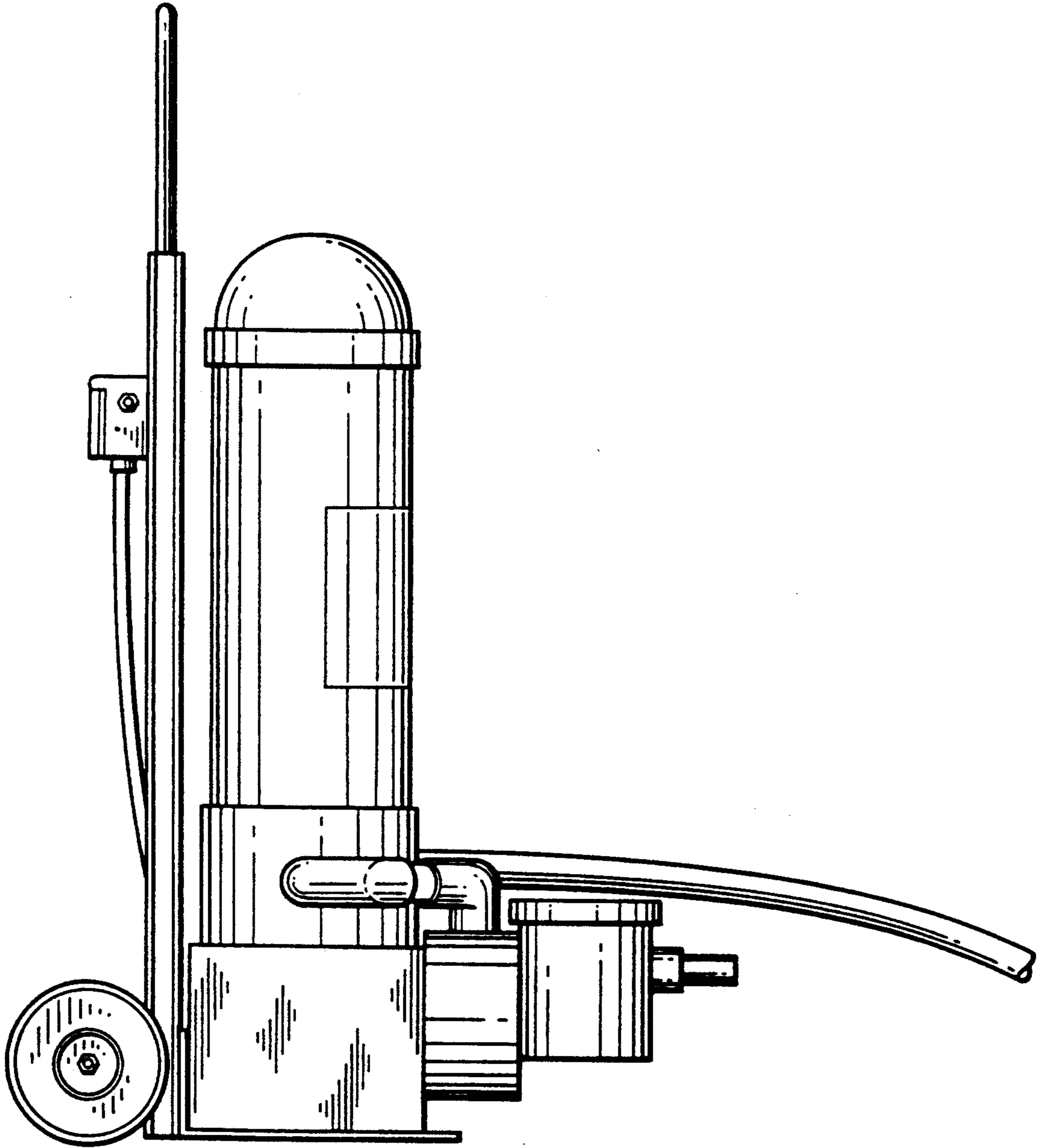


Fig. 2

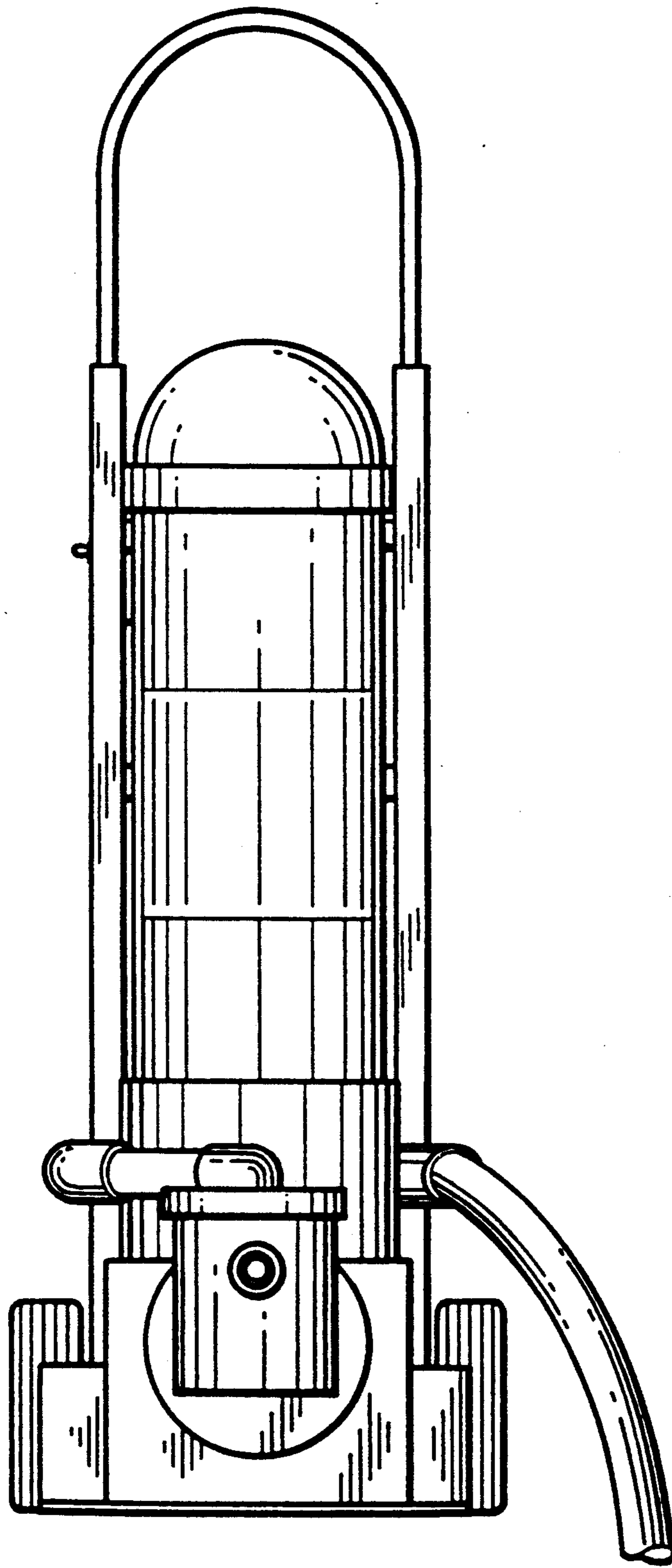


Fig. 3

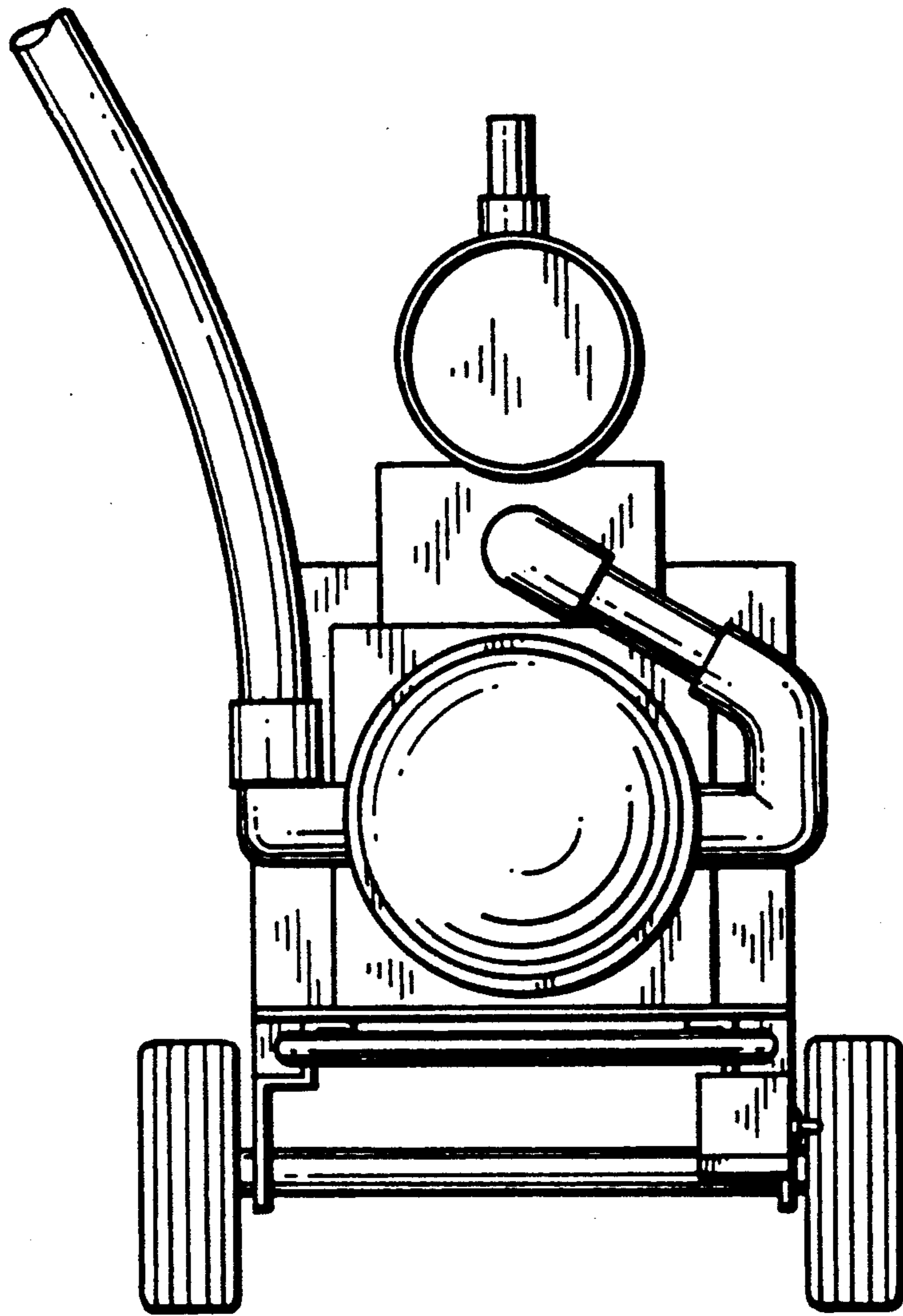


Fig. 4

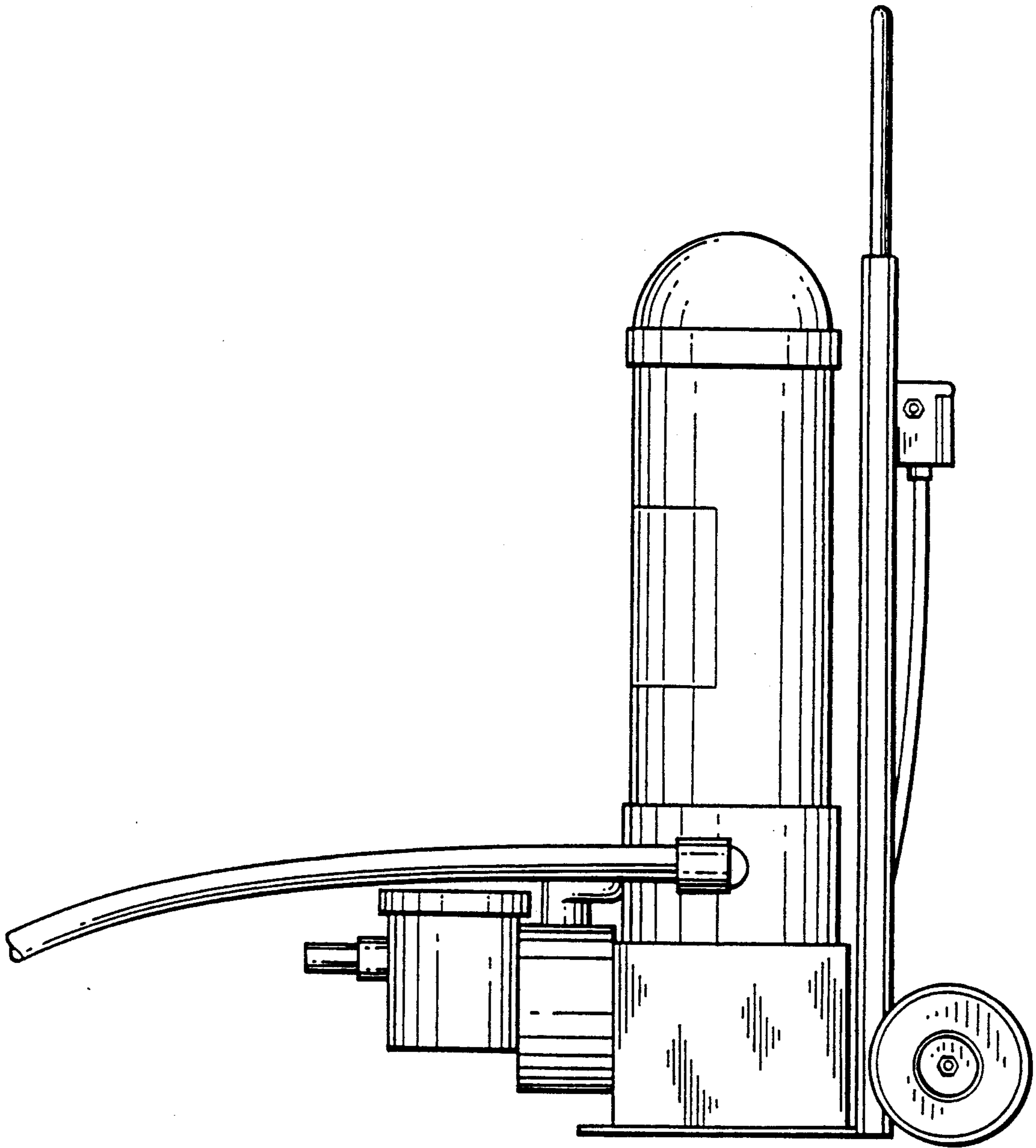


Fig. 5

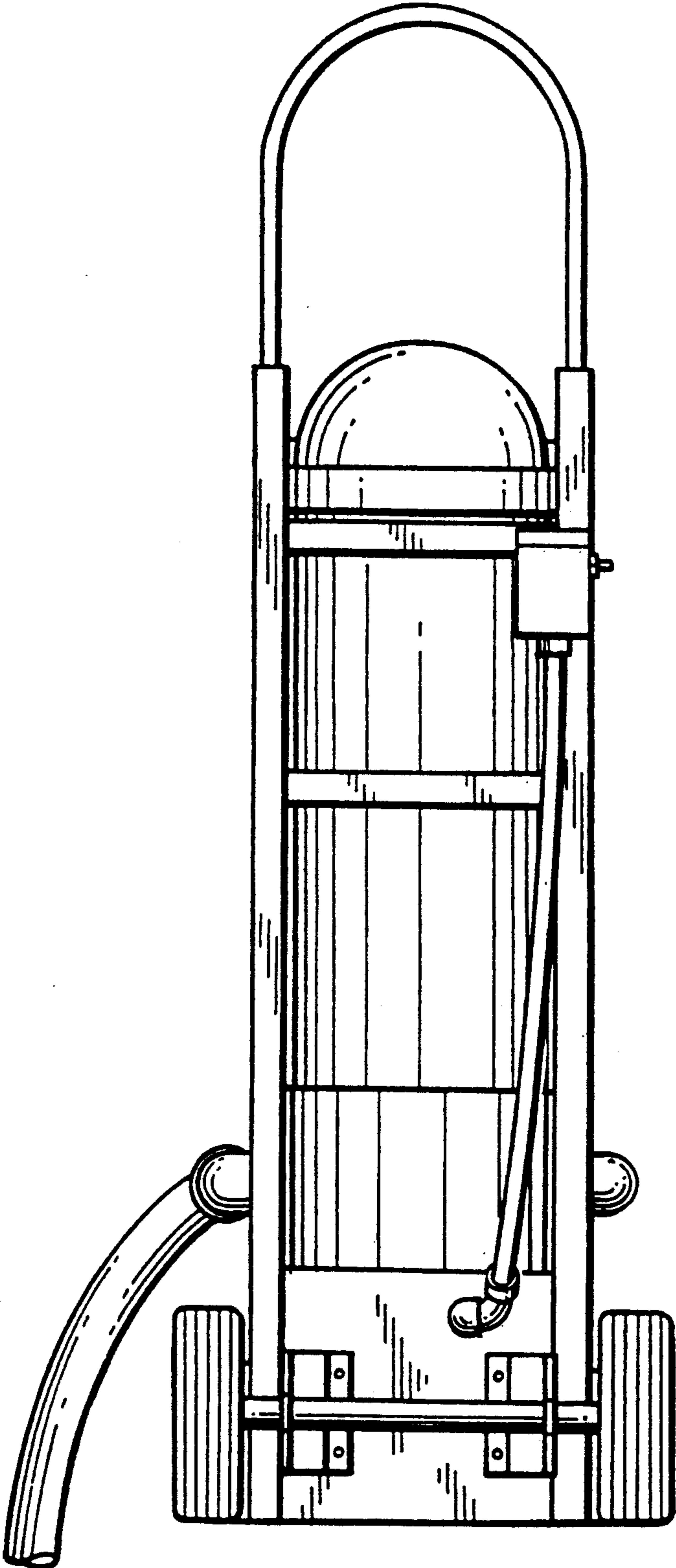


Fig. 6