



US00D340782S

United States Patent [19]

Porter

[11] Patent Number: **Des. 340,782**

[45] Date of Patent: **** Oct. 26, 1993**

[54] WALL LAMP

[75] Inventor: **David H. Porter**, Chagrin Falls, Ohio

[73] Assignee: **The L. D. Kichler Co.**, Cleveland, Ohio

[**] Term: **14 Years**

[21] Appl. No.: **892,349**

[22] Filed: **Jun. 2, 1992**

[52] U.S. Cl. **D26/87; D26/145**

[58] Field of Search **D26/72, 80-92, D26/143, 145; 362/147, 404-408, 432**

[56] References Cited

U.S. PATENT DOCUMENTS

D. 326,538	5/1992	Dordick	D26/87
1,606,870	11/1926	Corwin	362/432

OTHER PUBLICATIONS

Beardslee Chandelier Mfg. Co. Catalog, ©1929, p. 72, Wall Lamp #S9-294.

Lighting, Dec. 1954, p. 54, Wall Lamp #13.

Primary Examiner—Susan J. Lucas

Attorney, Agent, or Firm—Watts, Hoffmann, Fisher & Heinke

[57] CLAIM

The ornamental design for a wall lamp, as shown and described.

DESCRIPTION

FIG. 1 is a perspective view of a wall lamp showing my new design;

FIG. 2 is a left side elevational view thereof, the right side elevational view being a mirror image thereof;

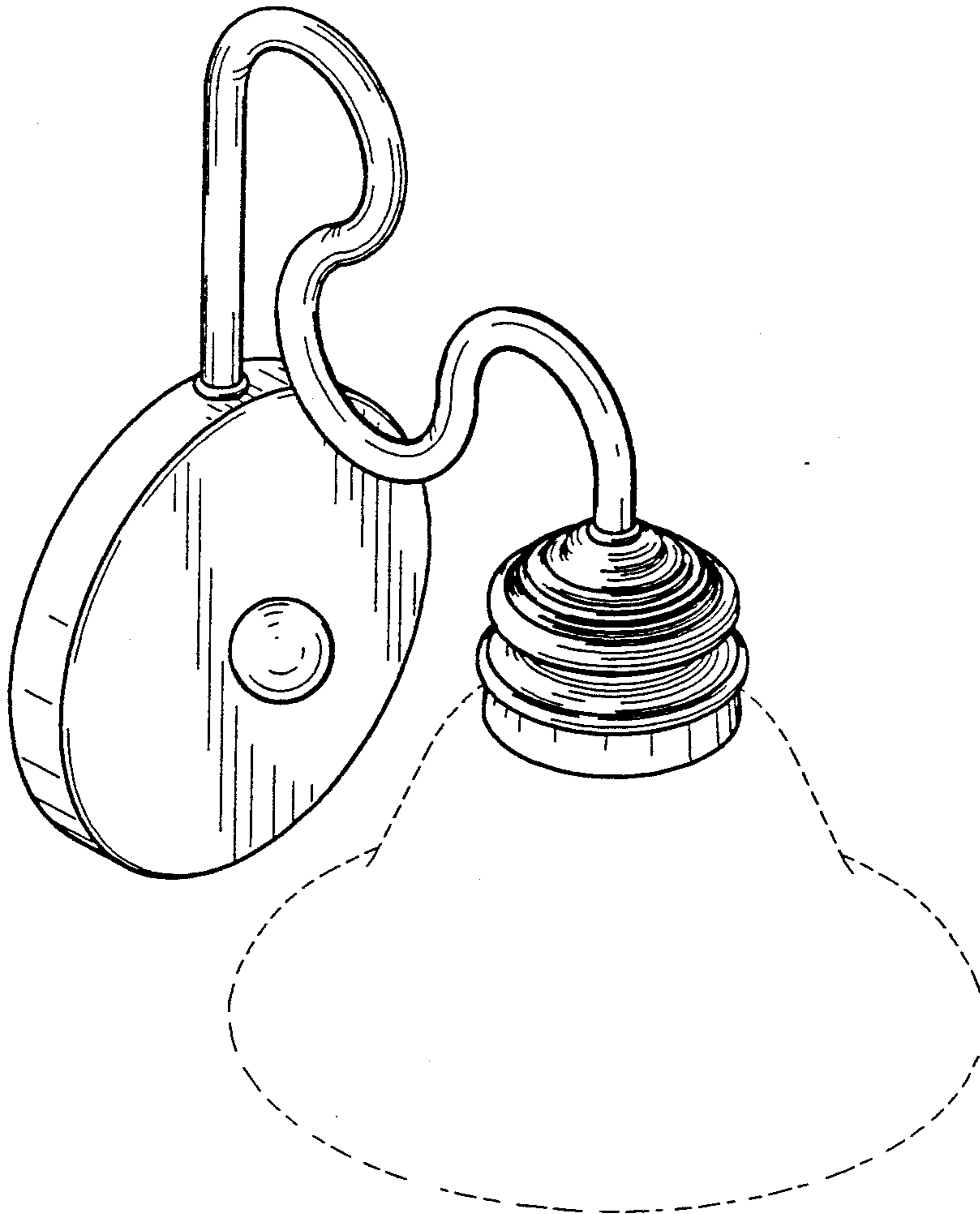
FIG. 3 is a front elevational view thereof;

FIG. 4 is a rear elevational view thereof;

FIG. 5 is a top plan view thereof; and,

FIG. 6 is a bottom plan view thereof.

The broken lines are shown for illustrative purposes only.



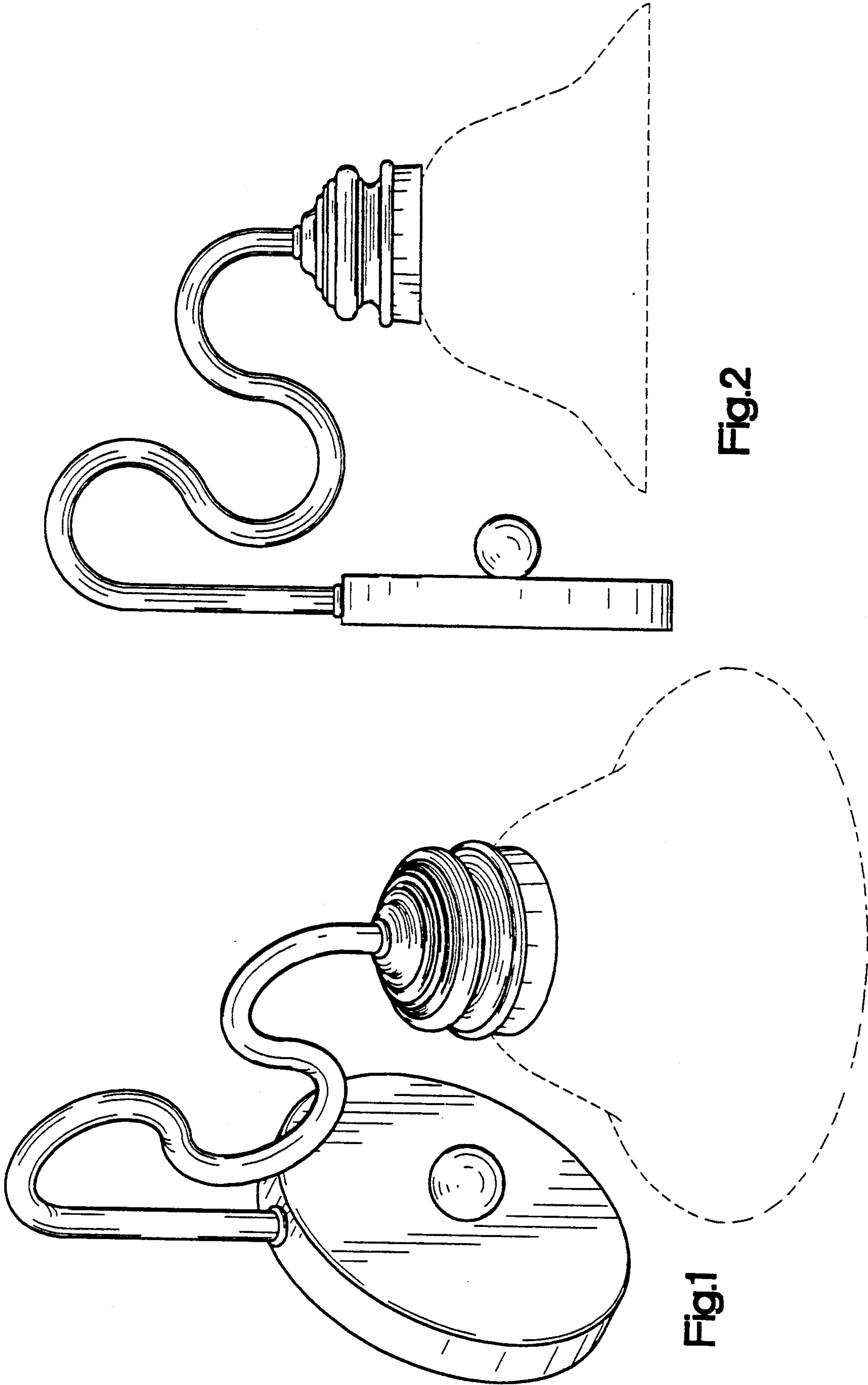


Fig.1

Fig.2

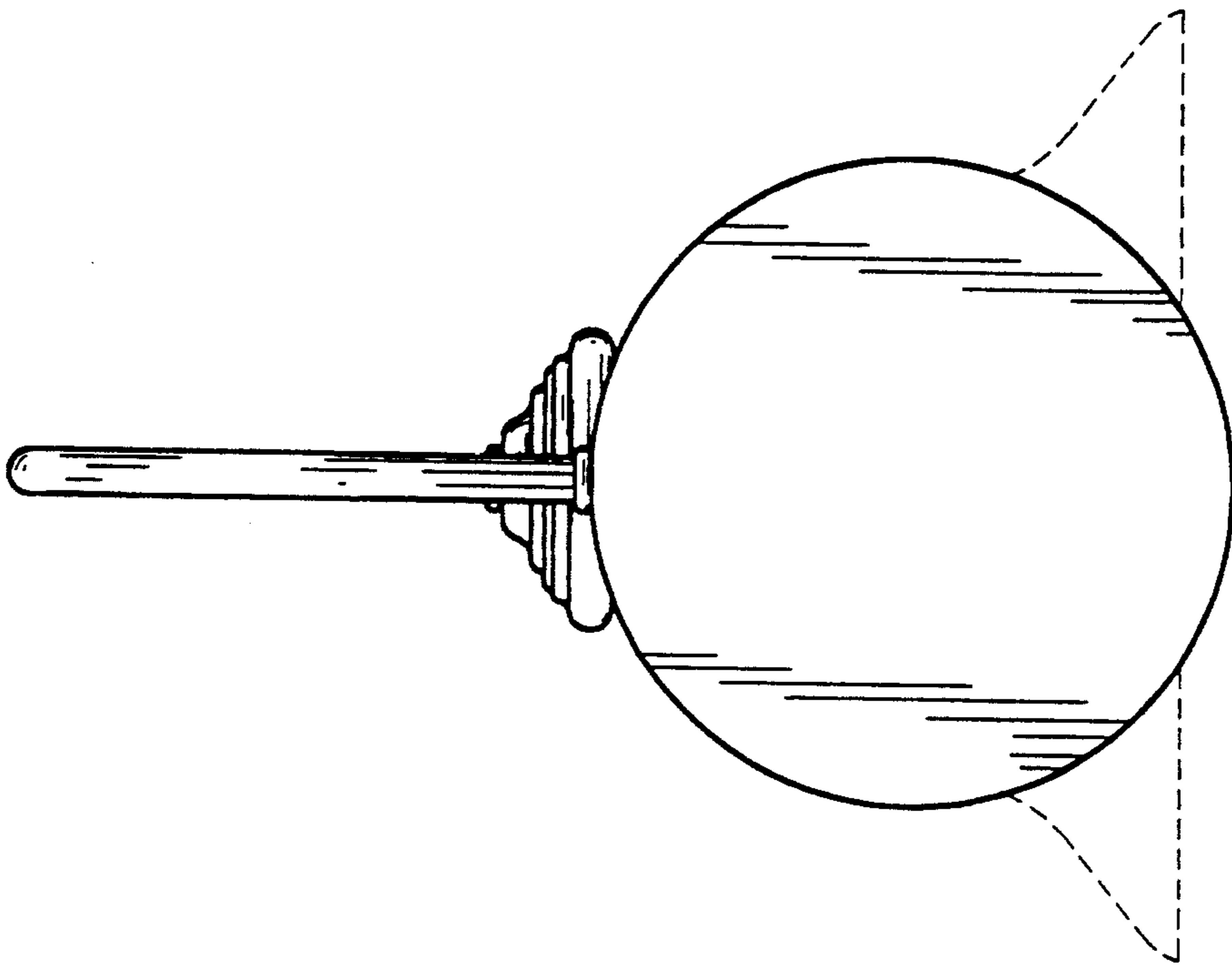


Fig.4

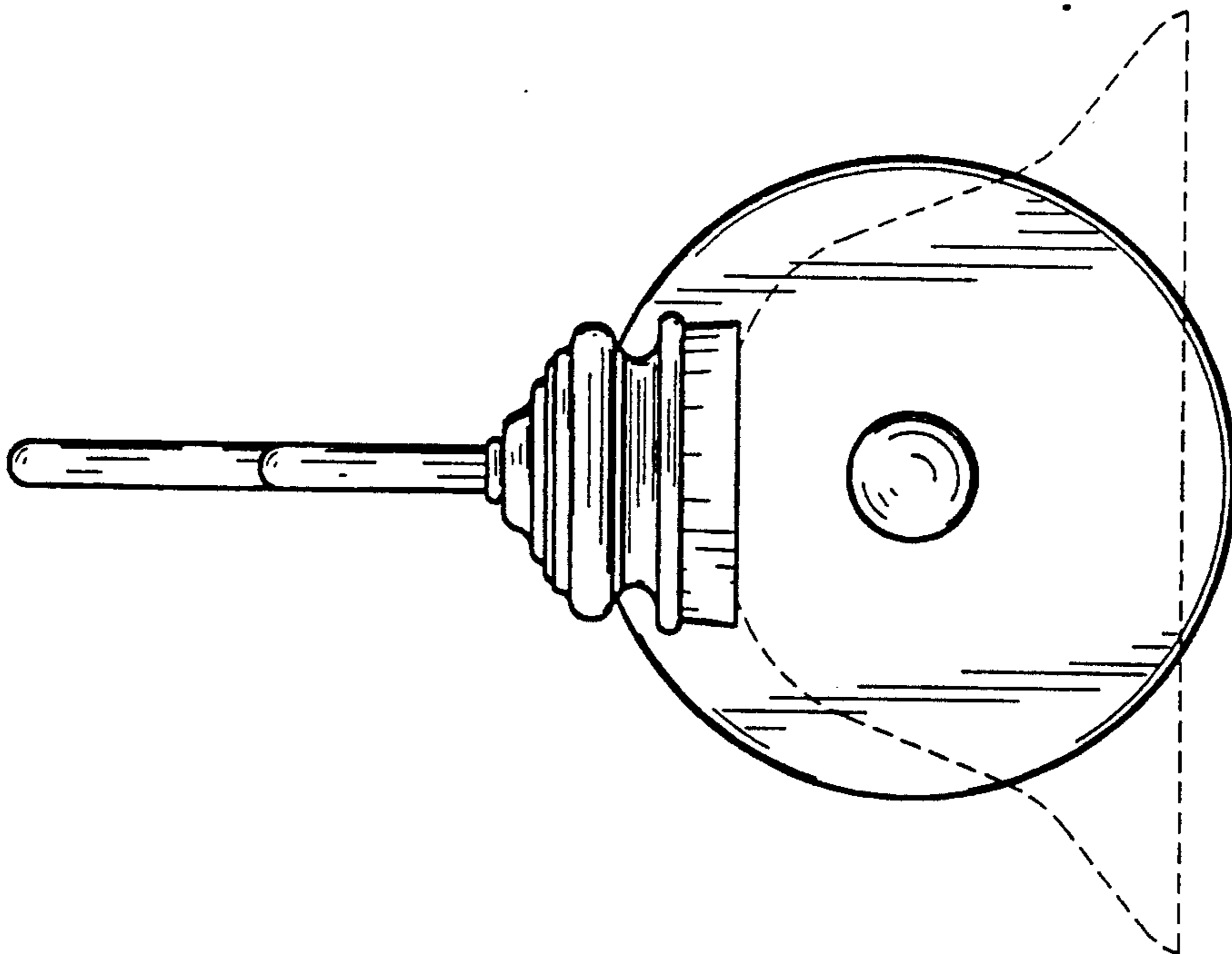


Fig.3

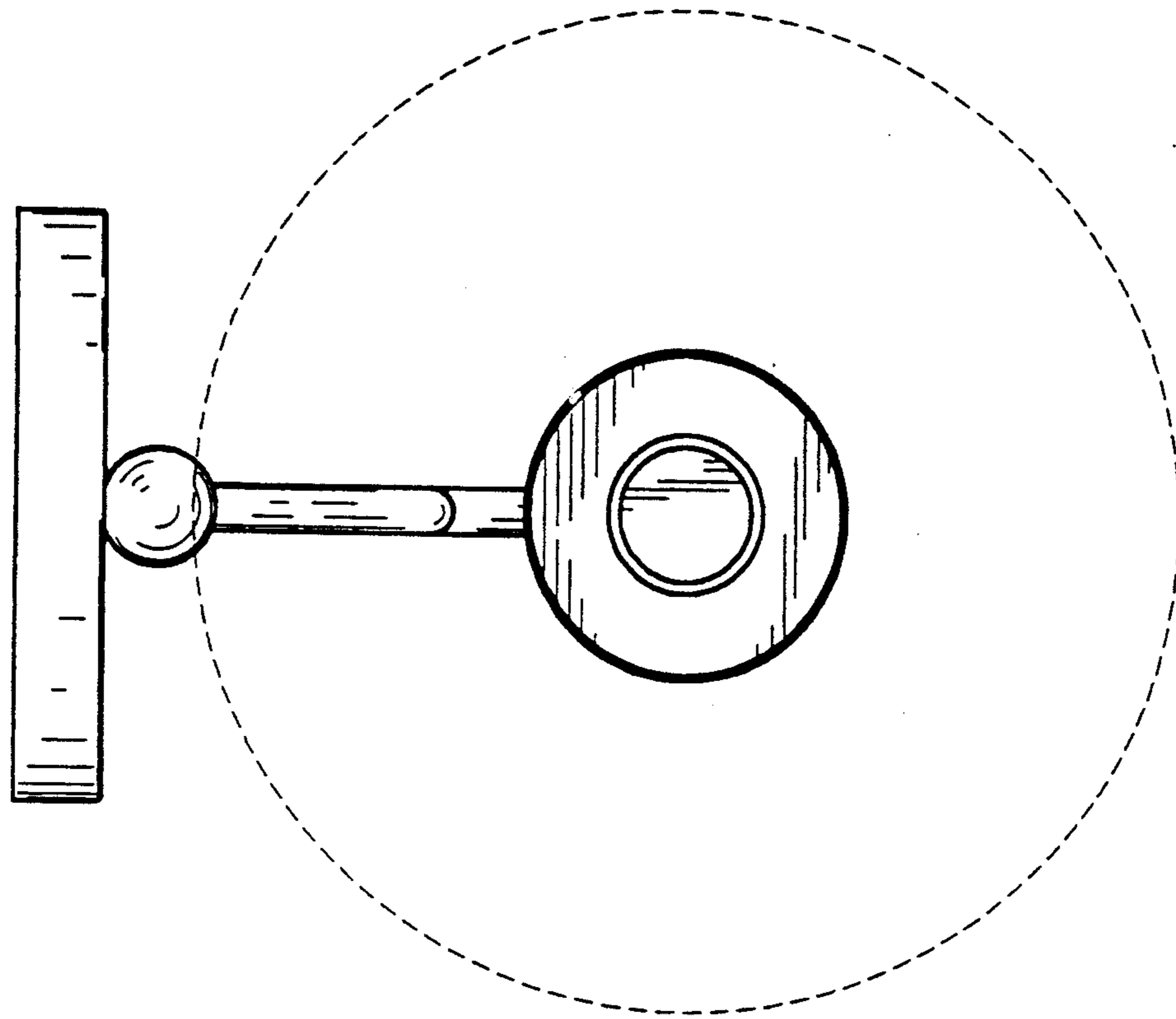


Fig.6

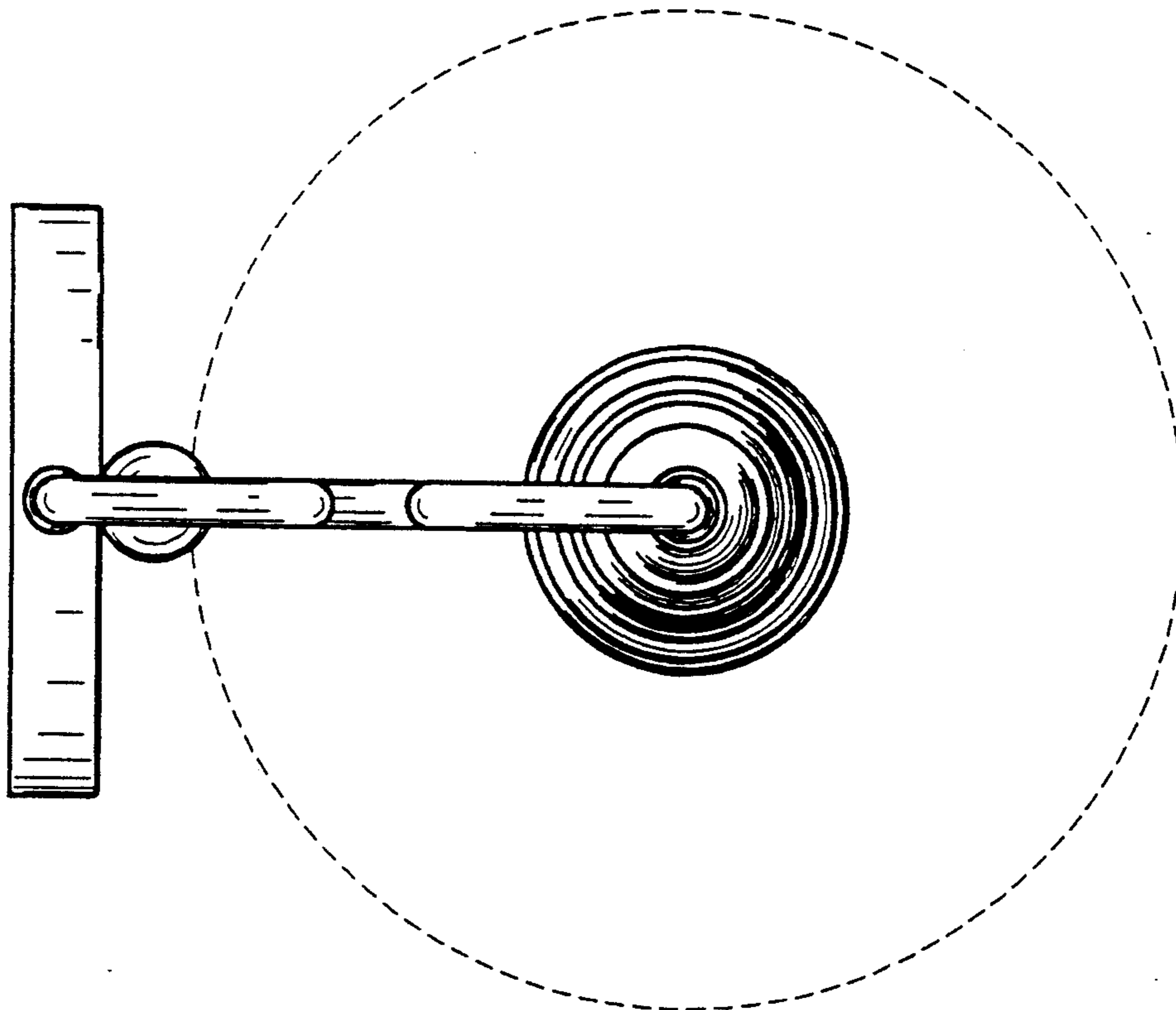


Fig.5