



US00D340779S

# United States Patent [19]

[11] Patent Number: **Des. 340,779**

**Quadri**

[45] Date of Patent: **\*\* Oct. 26, 1993**

## [54] SPECIAL EFFECT LIGHT PROJECTOR

[75] Inventor: **Pasquale Quadri, Albano Sant'Alessandro, Italy**

[73] Assignee: **Clay Paky S.r.l., Pedrengo, Italy**

[\*\*] Term: **14 Years**

[21] Appl. No.: **629,193**

[22] Filed: **Dec. 17, 1990**

### [30] Foreign Application Priority Data

Jun. 22, 1990 [IT] Italy ..... 53 099 B/90

[52] U.S. Cl. .... **D26/63**

[58] Field of Search ..... **D26/24, 63, 65; 362/426, 293**

### [56] References Cited

#### U.S. PATENT DOCUMENTS

D. 291,925	9/1987	Dacanay .....	D26/24
D. 316,304	4/1991	Court .....	D26/63
3,116,022	12/1963	Davis .....	362/293
4,298,920	11/1981	Gluck et al. ....	362/293
4,701,833	10/1987	Bornhorst .....	362/426

### OTHER PUBLICATIONS

Kliegl Bros Lighting Catalog, 1952, p. 10.  
Trakliting Inc. Catalog, Jul. 10, 1984.

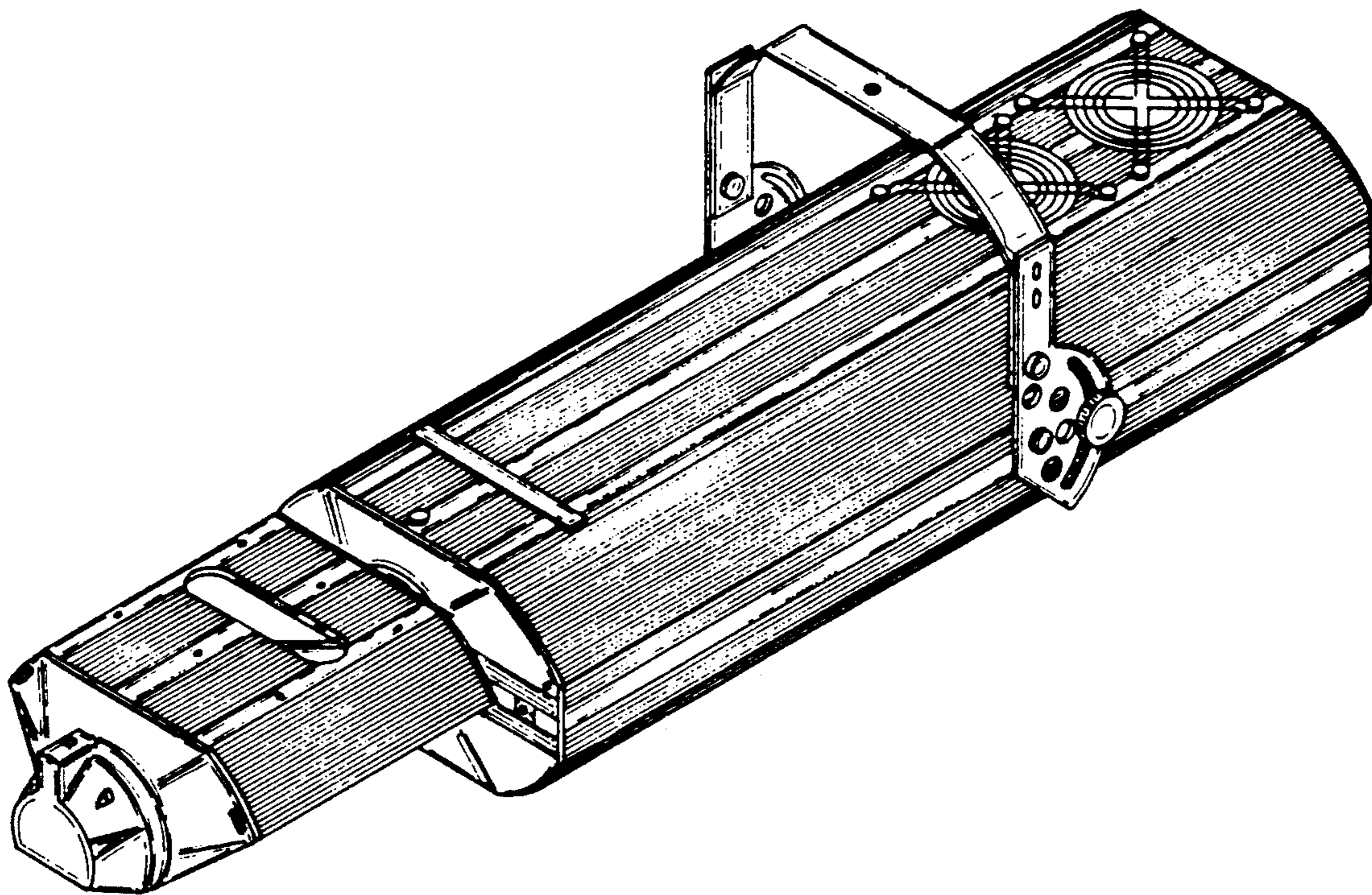
*Primary Examiner*—Bernard Ansher  
*Assistant Examiner*—Adir Aronovich  
*Attorney, Agent, or Firm*—Kane, Dalsimer, Sullivan, Kurucz, Levy, Eisele & Richard

### [57] CLAIM

The ornamental design for a special effect light projector, as shown and described.

### DESCRIPTION

FIG. 1 is a front elevational view of a special effect light projector showing my new design; FIG. 2 is a rear elevational view thereof; FIG. 3 is a left-hand side elevational view thereof; FIG. 4 is a right-hand side elevational view thereof; FIG. 5 is a top plan view thereof; FIG. 6 is a bottom plan view thereof; FIG. 7 is a top perspective view thereof; and, FIG. 8 is a bottom rear perspective view thereof.



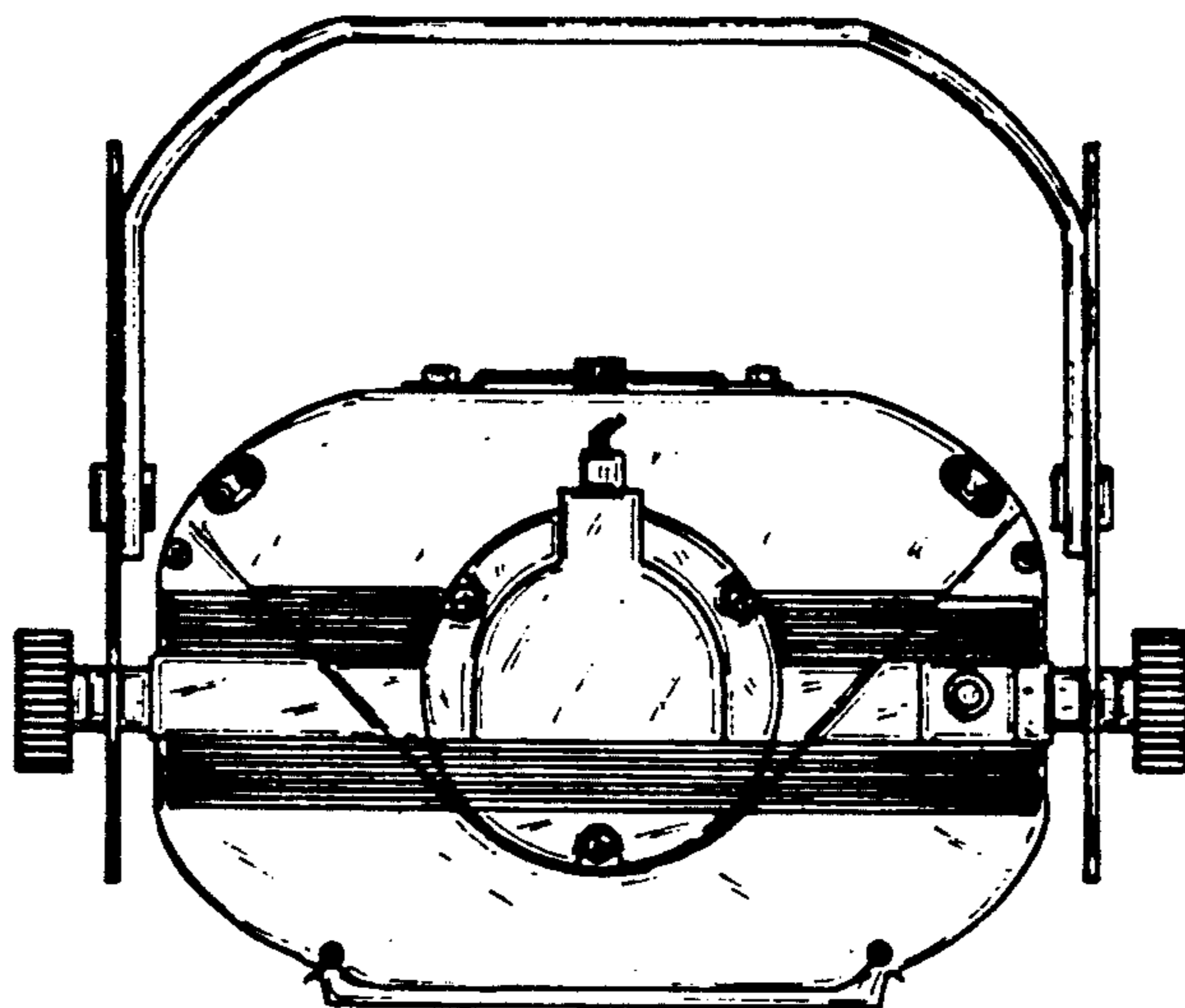


Fig. 1

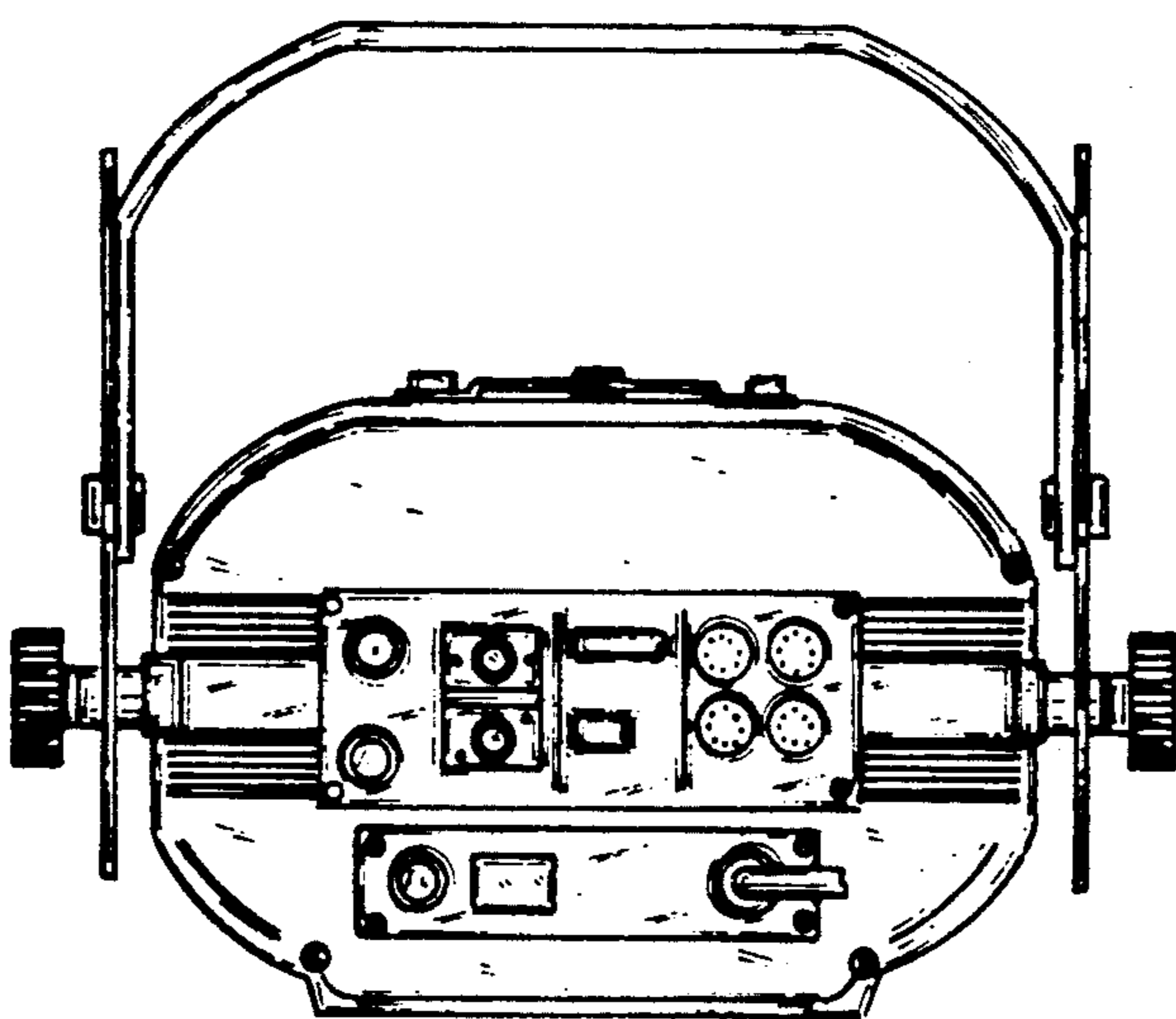


Fig. 2

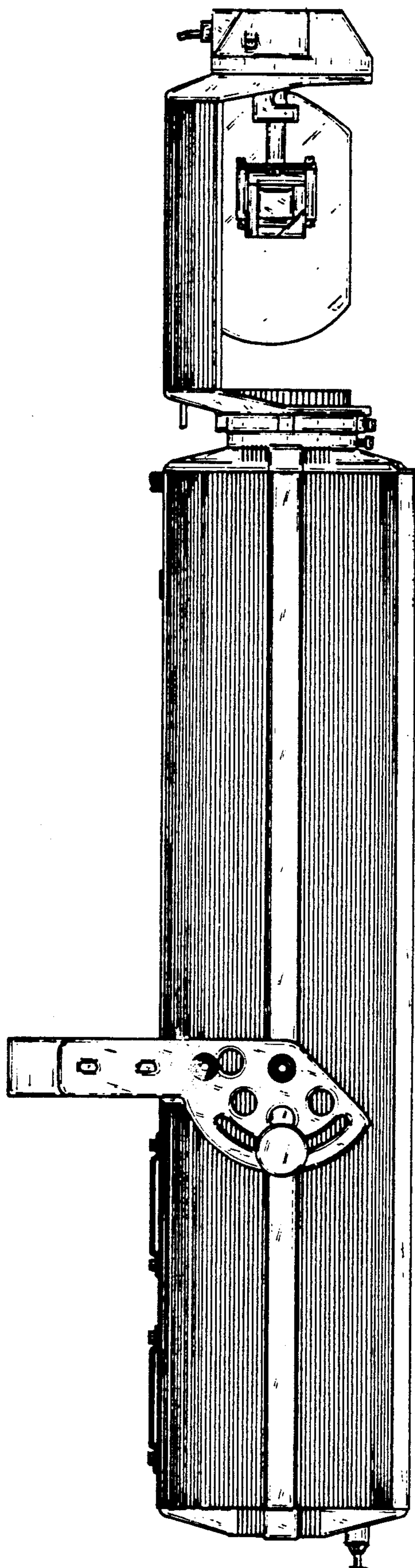


Fig.3

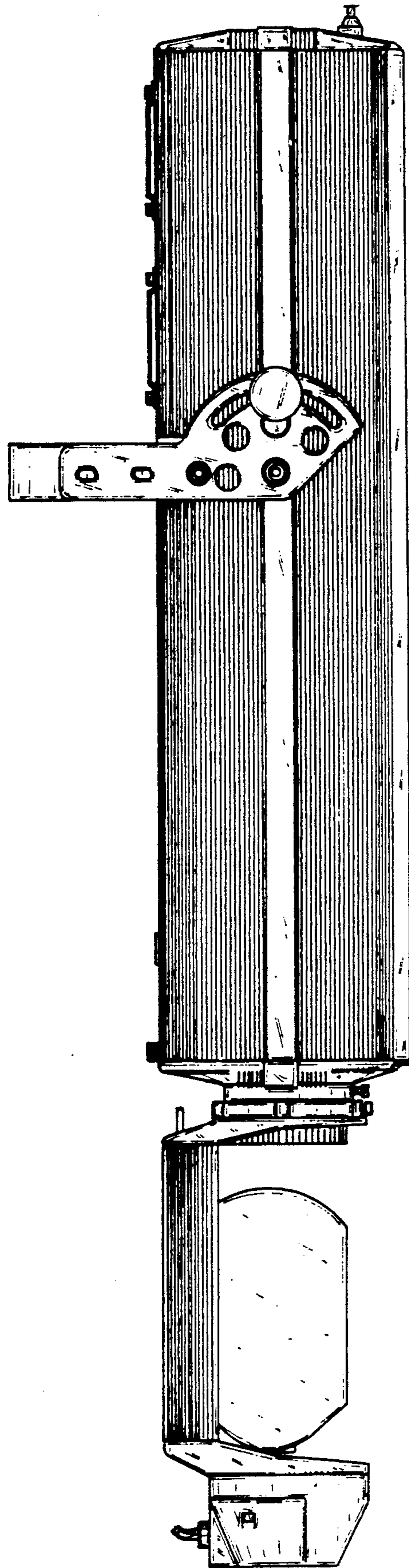


Fig. 4

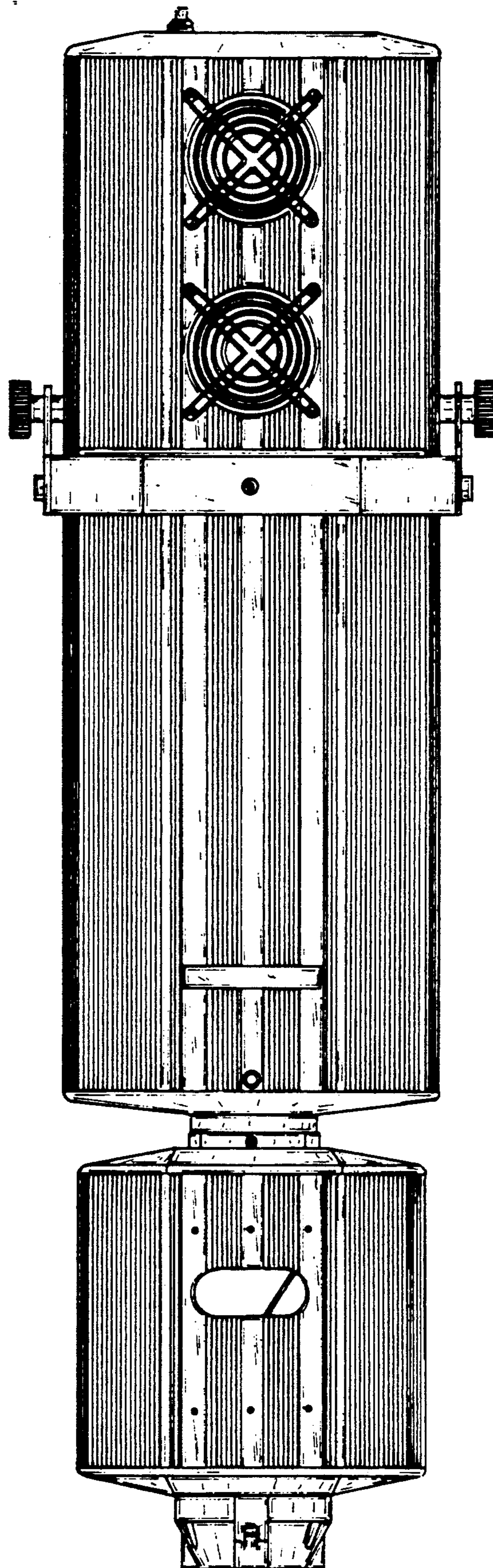


Fig. 5

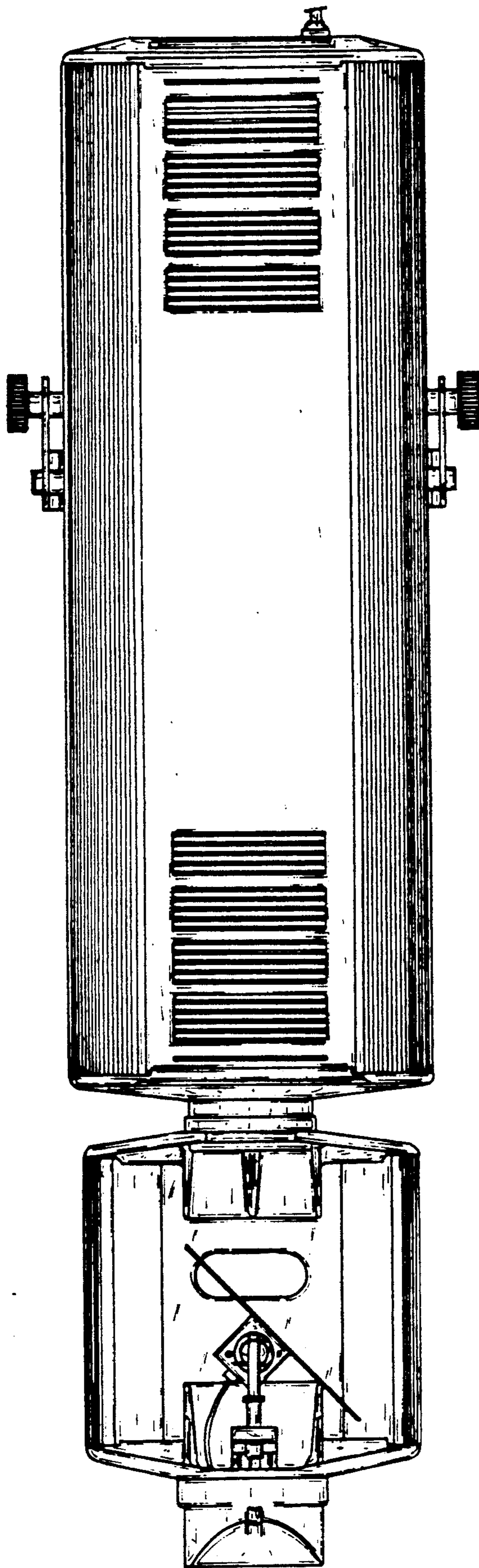


Fig. 6

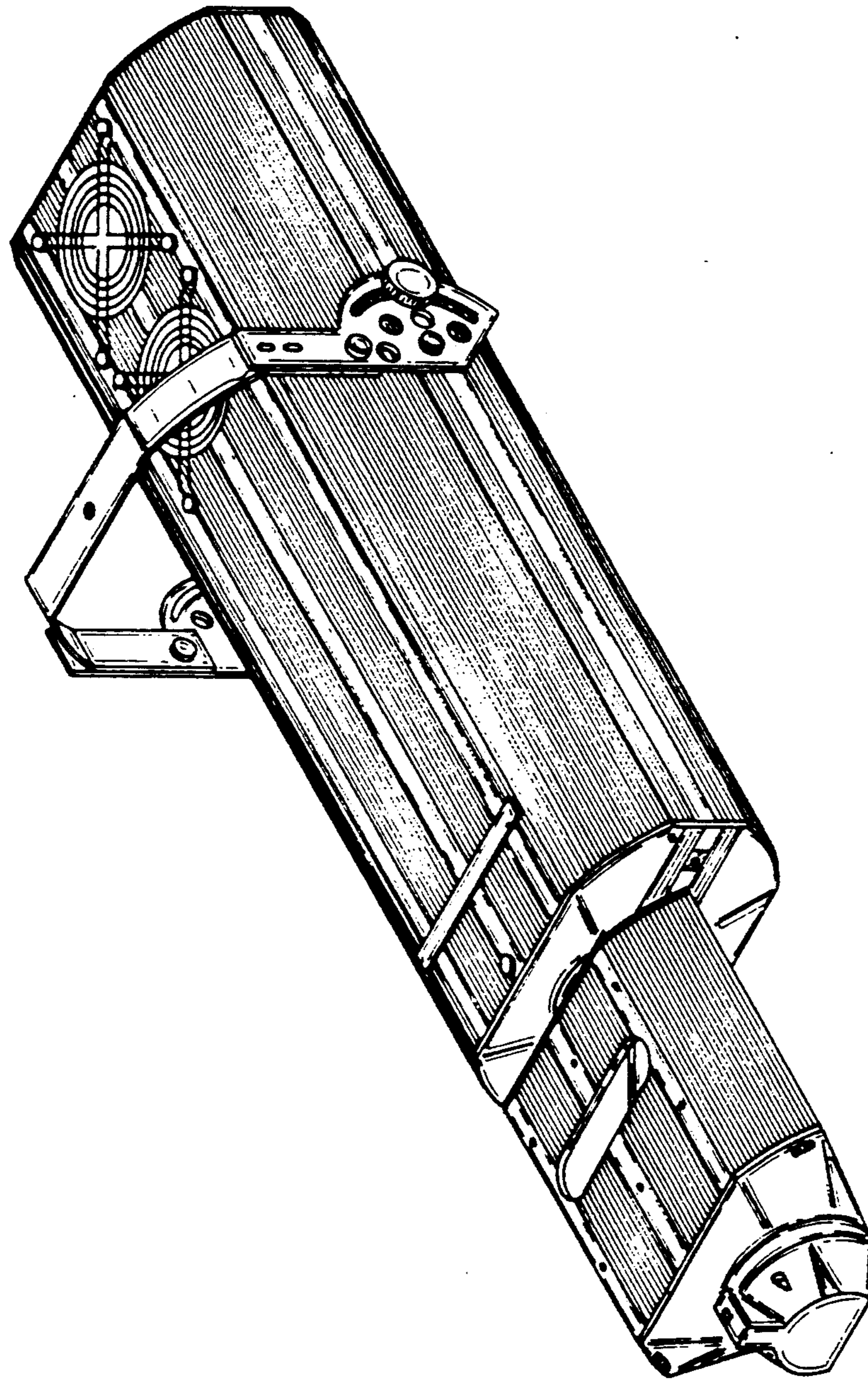


Fig. 7

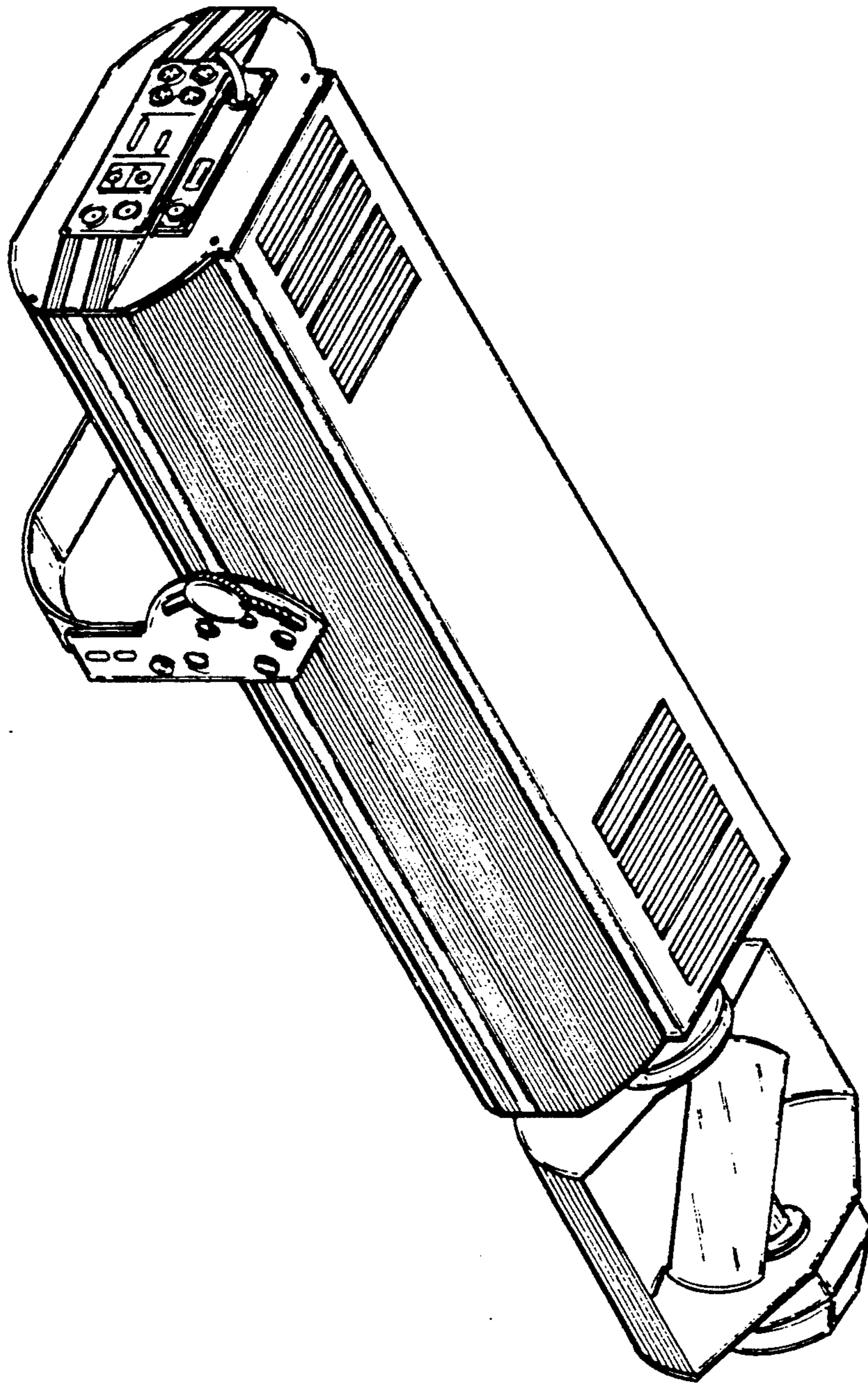


Fig. 8