



US00D340776S

# United States Patent [19]

[11] Patent Number: **Des. 340,776**

**Harrison**

[45] Date of Patent: **\*\* Oct. 26, 1993**

[54] **RETAINING WALL BLOCK**

4,914,876 4/1990 Forsberg ..... 52/169.4  
4,920,712 5/1990 Dean, Jr. .... 52/169.4

[75] Inventor: **Cloyce D. Harrison, Albuquerque, N. Mex.**

### FOREIGN PATENT DOCUMENTS

[73] Assignee: **CSTW, Inc., Albuquerque, N. Mex.**

1169265 6/1984 Canada .

[\*\*] Term: **14 Years**

*Primary Examiner*—A. Hugo Word

*Assistant Examiner*—Doris Clark

[21] Appl. No.: **936,904**

*Attorney, Agent, or Firm*—Dennis F. Armijo; Deborah A. Peacock

[22] Filed: **Aug. 27, 1992**

[52] U.S. Cl. .... **D25/118**

[58] Field of Search ..... **D25/114-115, D25/118; 52/590-596, 602, 605, 608, 610; 405/284, 286, 272; D21/108**

### [57] CLAIM

The ornamental design for a retaining wall block, as shown and described.

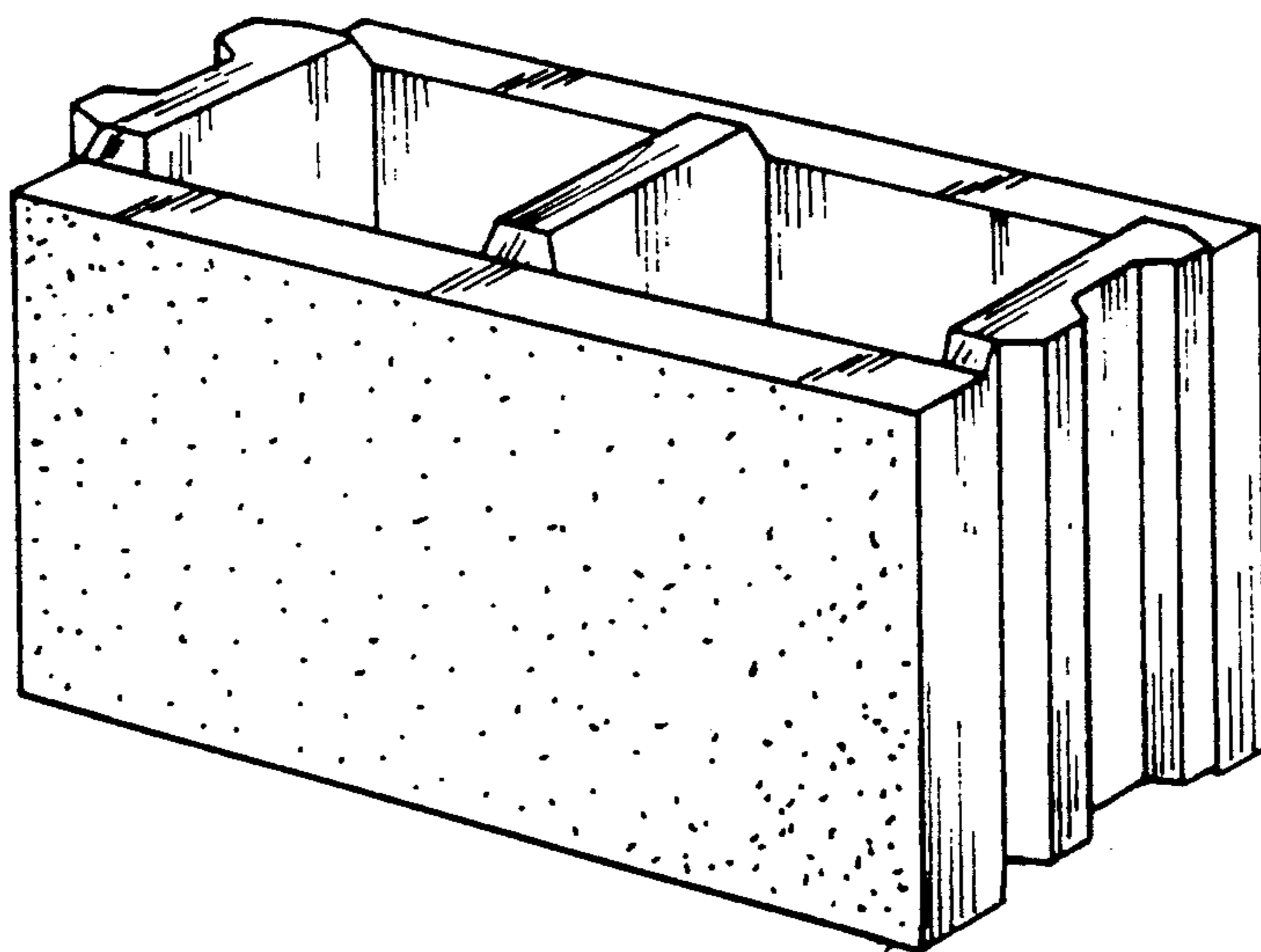
### [56] References Cited

#### U.S. PATENT DOCUMENTS

D. 255,787	7/1980	Morehead, Jr. ....	D25/118
D. 266,361	9/1982	Coelho dos Santos .....	D25/114
D. 275,997	10/1984	Rassias et al. ....	D25/114
D. 295,788	5/1988	Forsberg .....	D25/113
D. 295,790	5/1988	Forsberg .....	D25/116
D. 296,007	5/1988	Forsberg .....	D25/116
D. 296,365	6/1988	Forsberg .....	D25/116
D. 297,464	8/1988	Forsberg .....	D25/114
D. 297,574	9/1988	Forsberg .....	D25/114
D. 297,767	9/1988	Forsberg .....	D25/58
D. 298,463	11/1988	Forsberg .....	D25/114
D. 299,067	12/1988	Forsberg .....	D25/58
D. 300,253	3/1989	Forsberg .....	D25/114
D. 300,254	3/1989	Forsberg .....	D25/114
D. 301,064	5/1989	Forsberg .....	D25/116
D. 304,501	11/1989	Van Wassehrova et al. ....	D25/114
D. 311,444	10/1990	Forsberg .....	D25/113
868,838	10/1907	Brenington .....	52/591
4,335,549	6/1982	Dean, Jr. ....	52/98

### DESCRIPTION

FIG. 1 is a right side perspective view of a first embodiment of the retaining wall block of my new design;  
 FIG. 2 is a left side perspective view thereof;  
 FIG. 3 is a top view thereof;  
 FIG. 4 is a front elevational view thereof;  
 FIG. 5 is a side view of the right side thereof;  
 FIG. 6 is a side view of the left side thereof;  
 FIG. 7 is a rear elevational view thereof;  
 FIG. 8 is a bottom view thereof;  
 FIG. 9 is a right side perspective view of a second embodiment of the retaining wall block of my new design;  
 FIG. 10 is a left side perspective view of the embodiment of FIG. 9;  
 FIG. 11 is a top view of FIG. 9;  
 FIG. 12 is a front elevational view of FIG. 9;  
 FIG. 13 is a side view of the right side of FIG. 9;  
 FIG. 14 is a side view of the left side of FIG. 9;  
 FIG. 15 is a rear elevational view of FIG. 9; and,  
 FIG. 16 is a bottom view of FIG. 9.



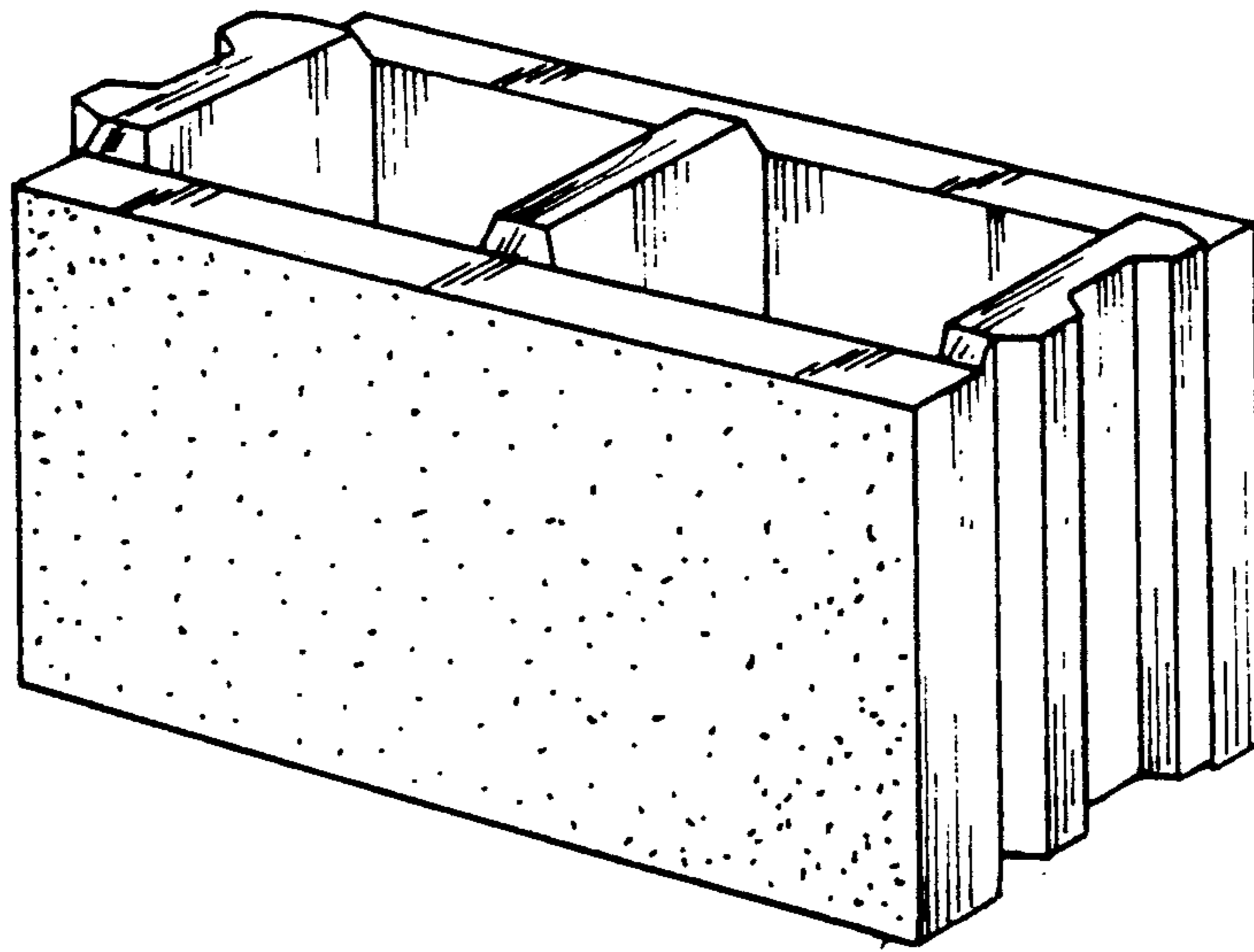


FIG-1

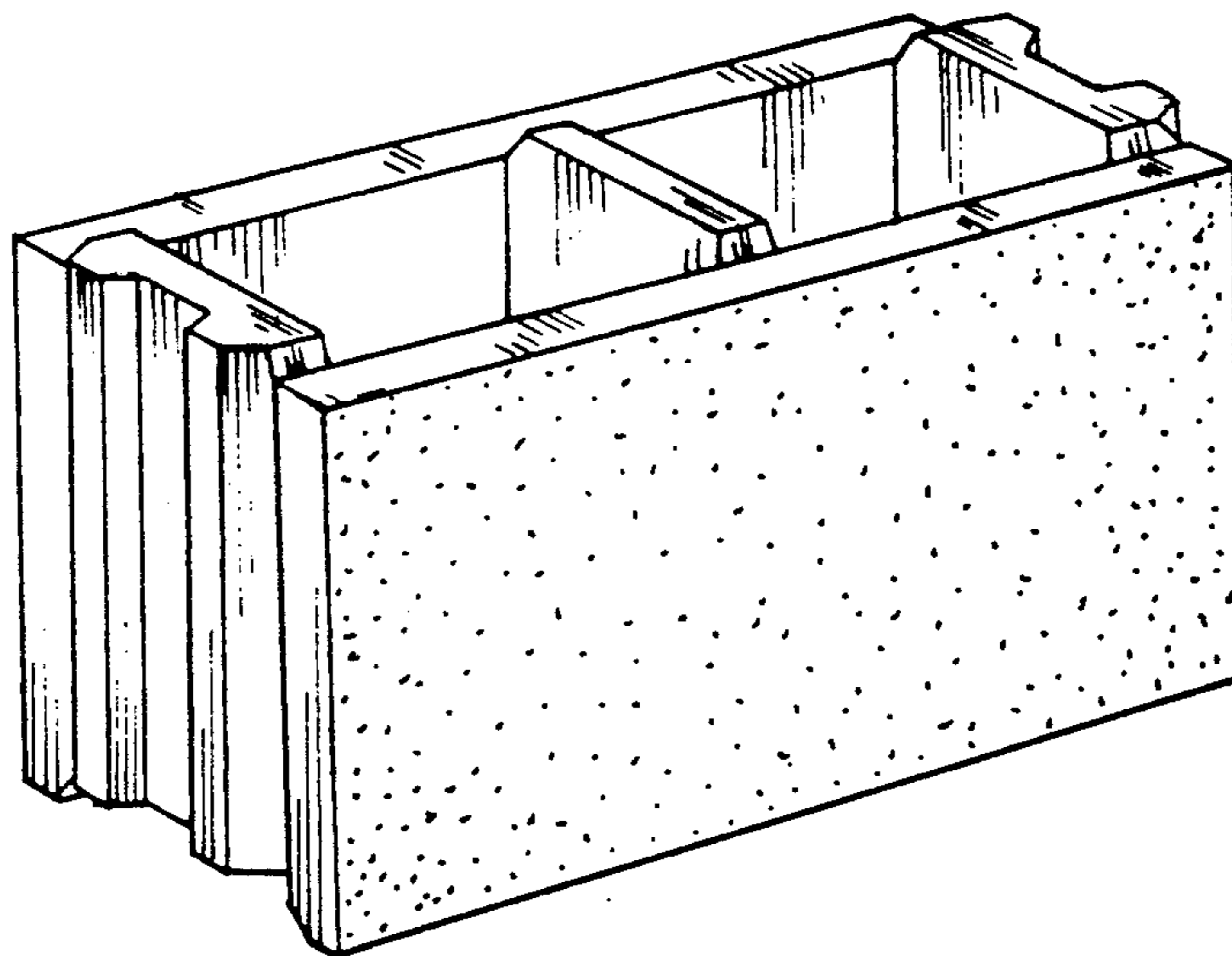


FIG-2

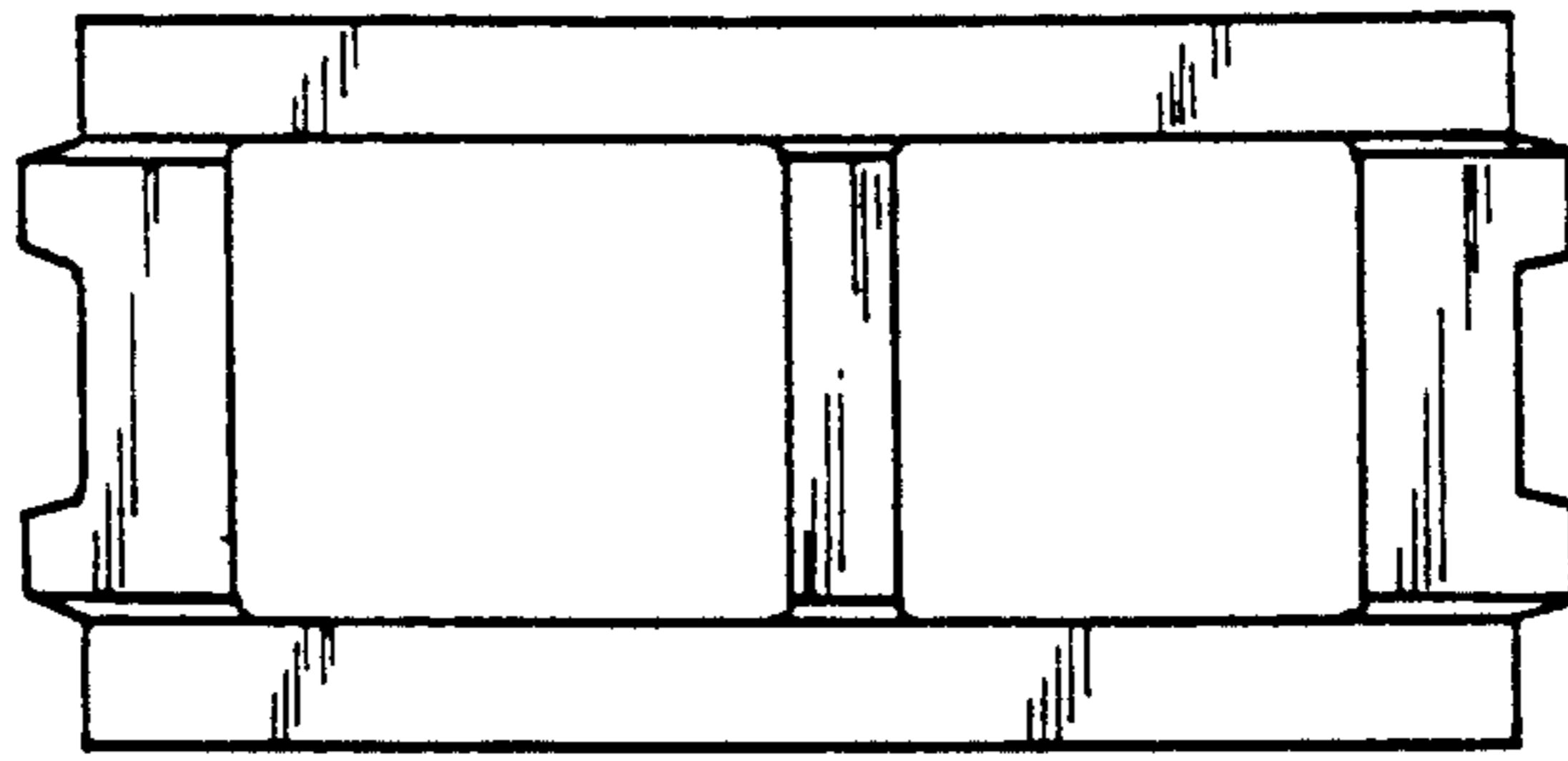


FIG-3

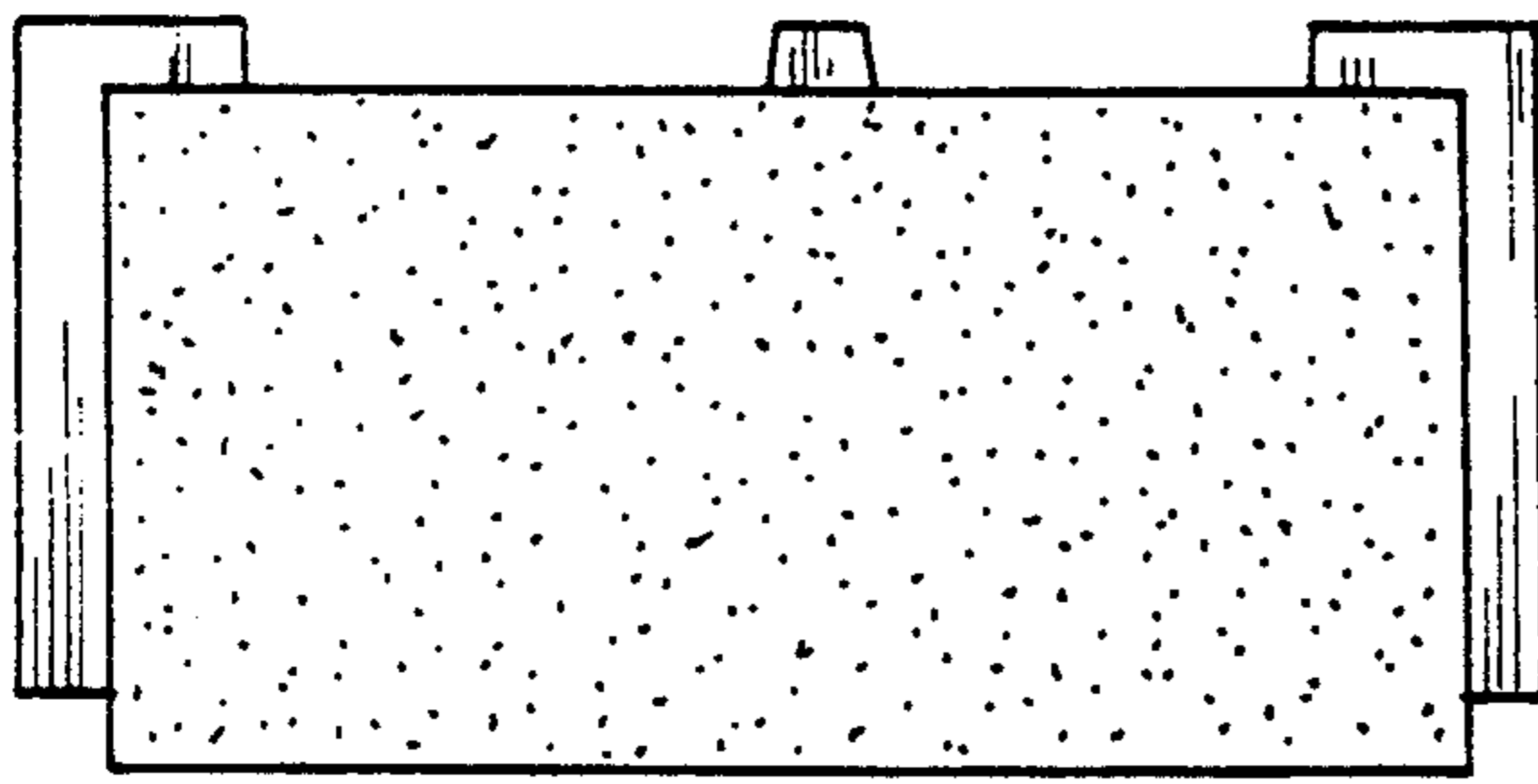


FIG-4

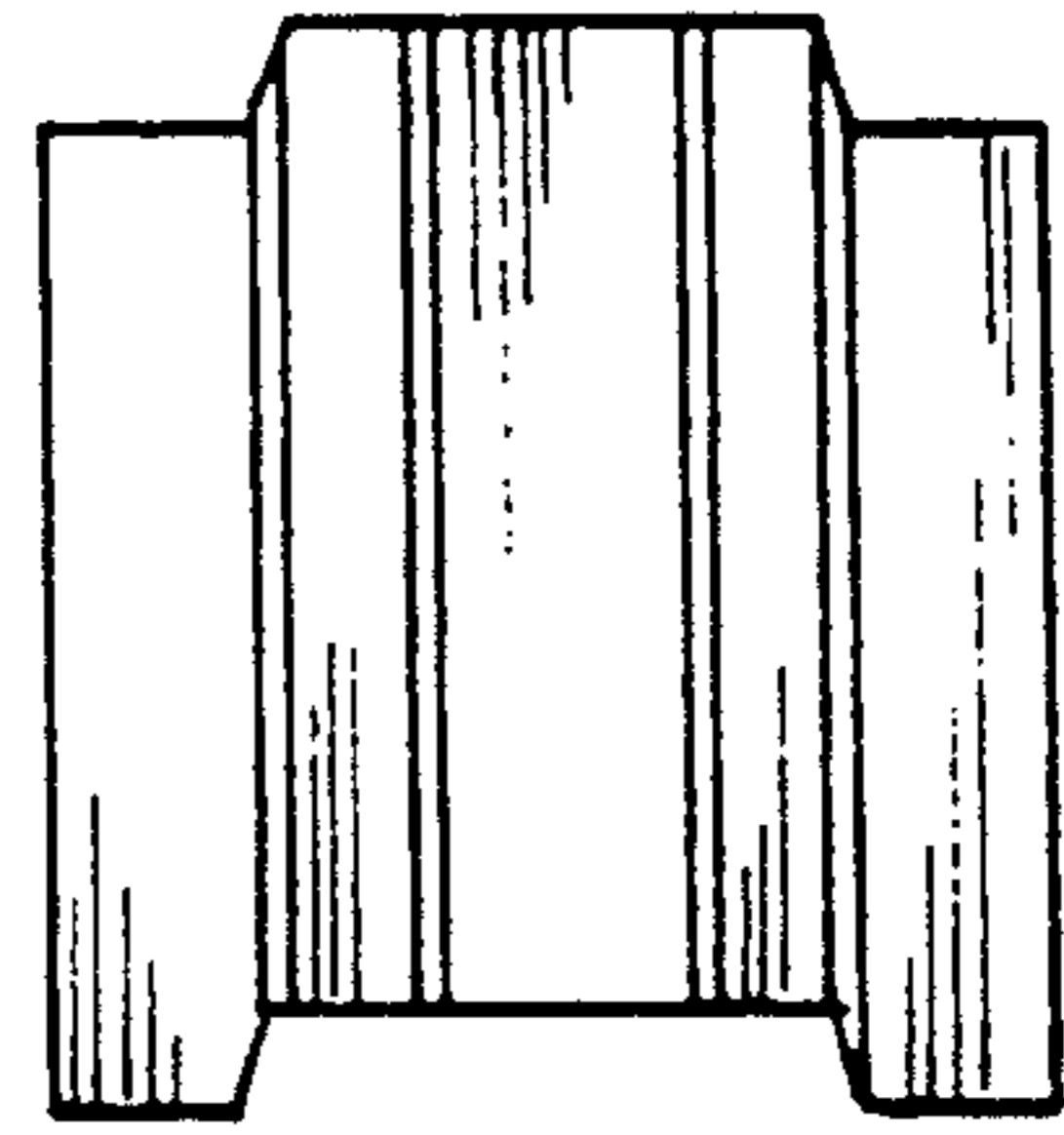


FIG-5

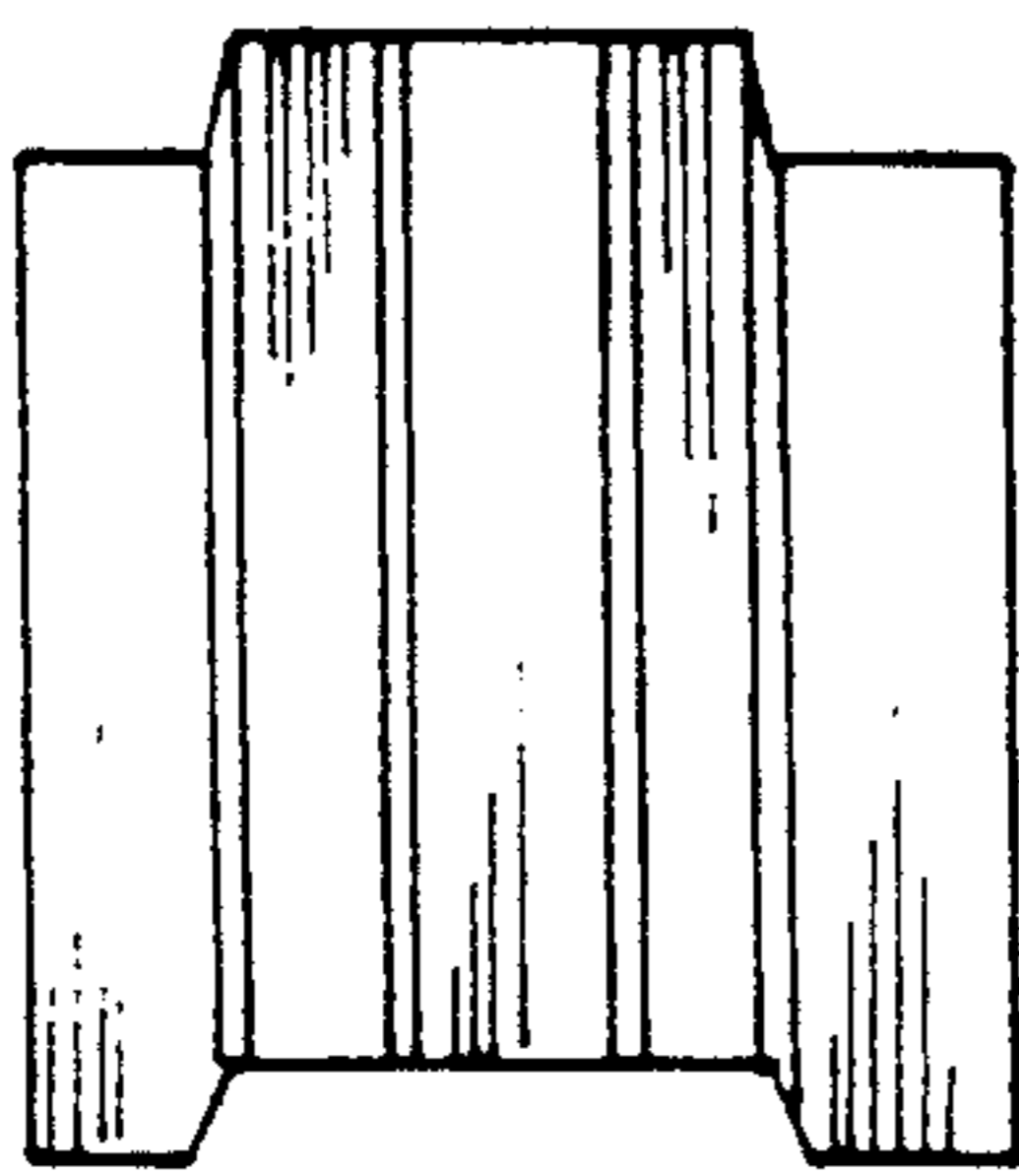


FIG-6

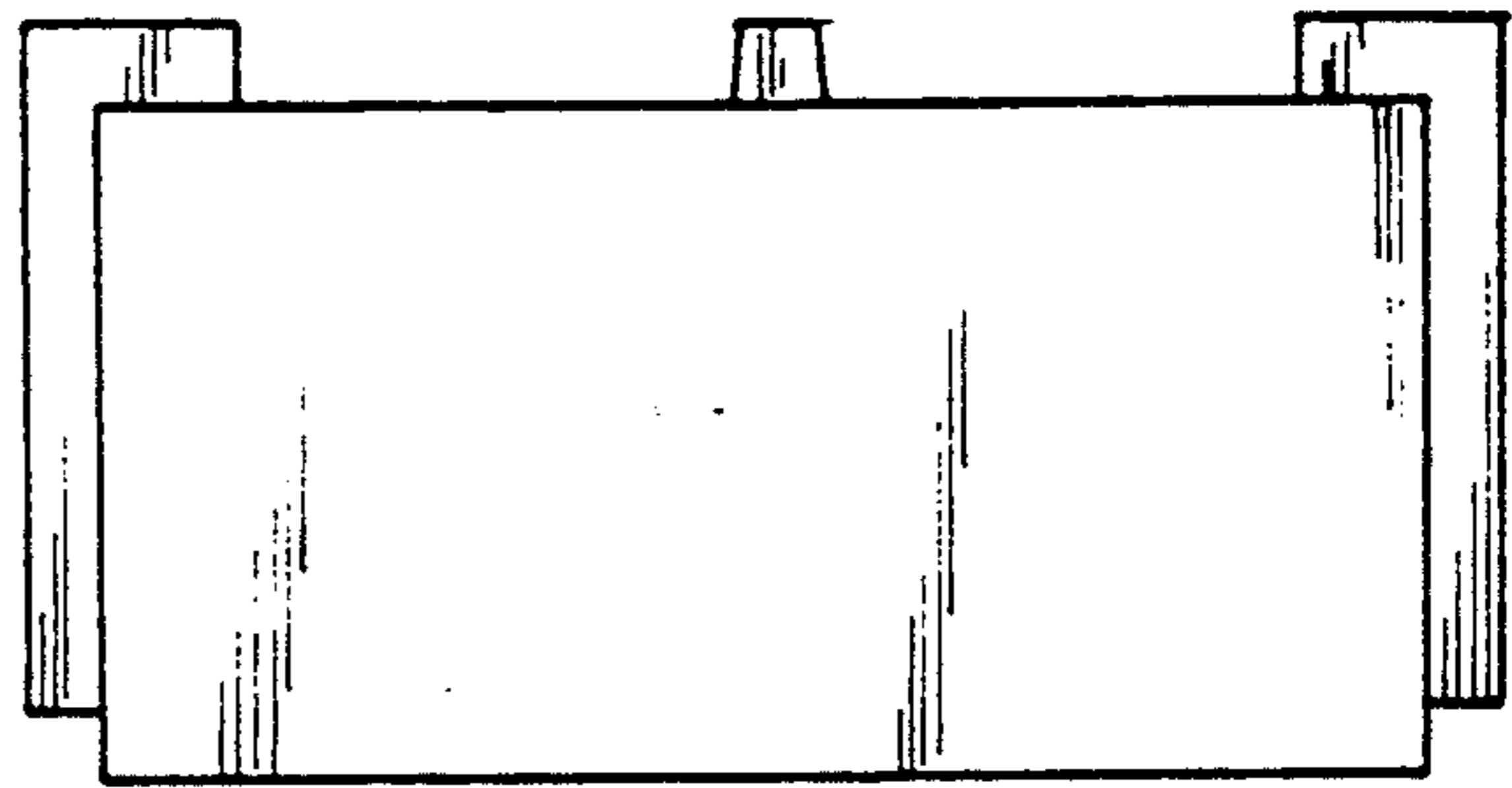


FIG-7

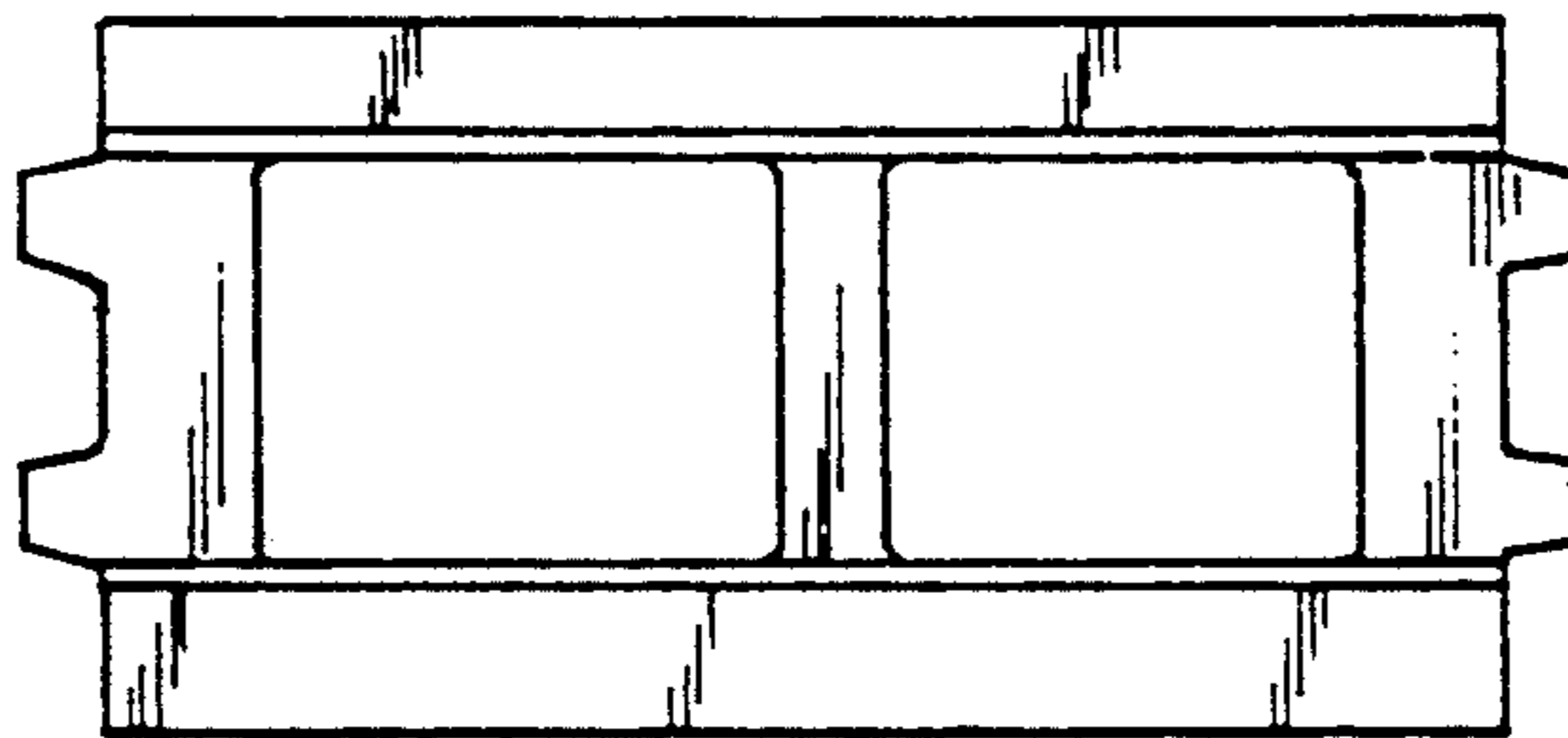


FIG-8

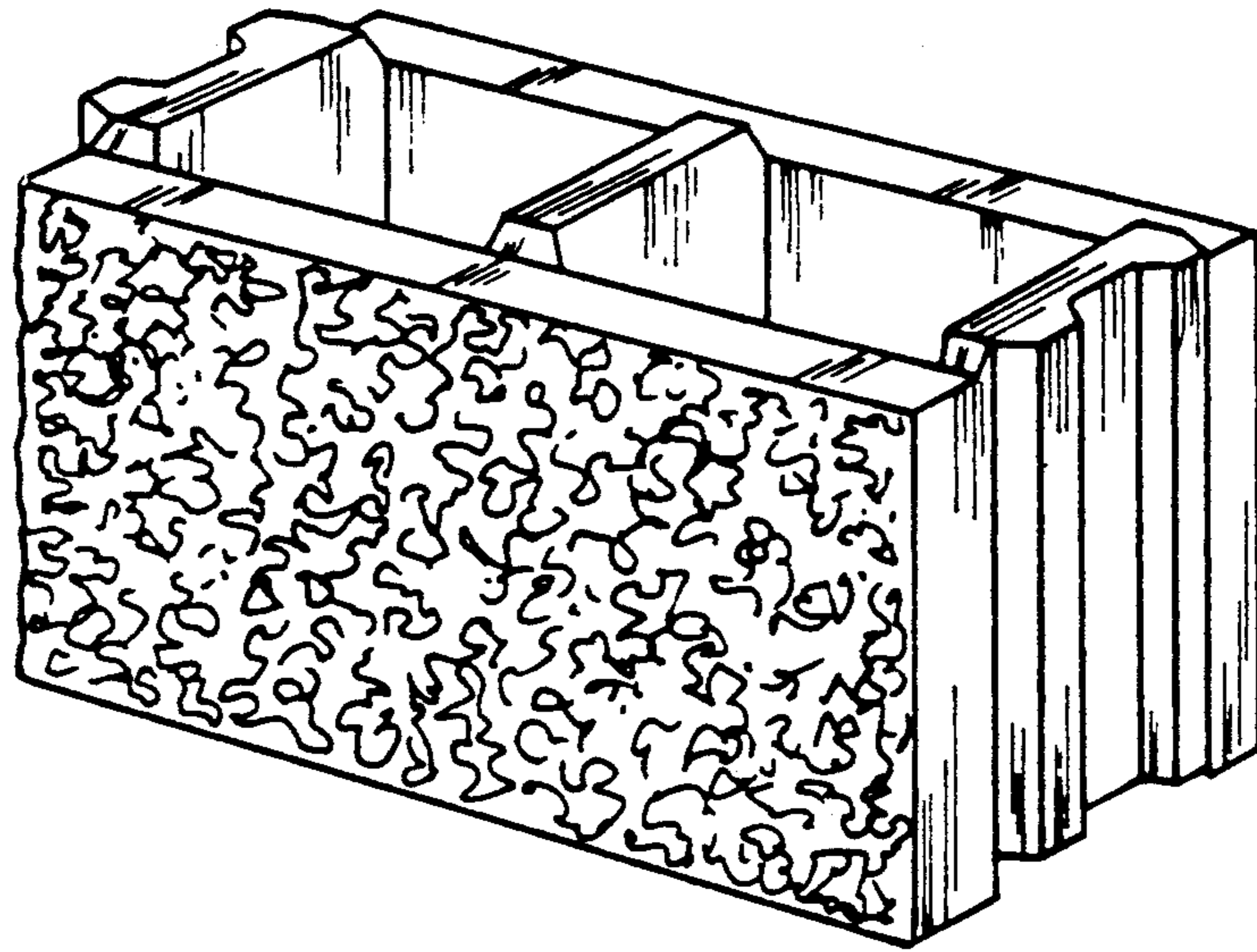


FIG - 9

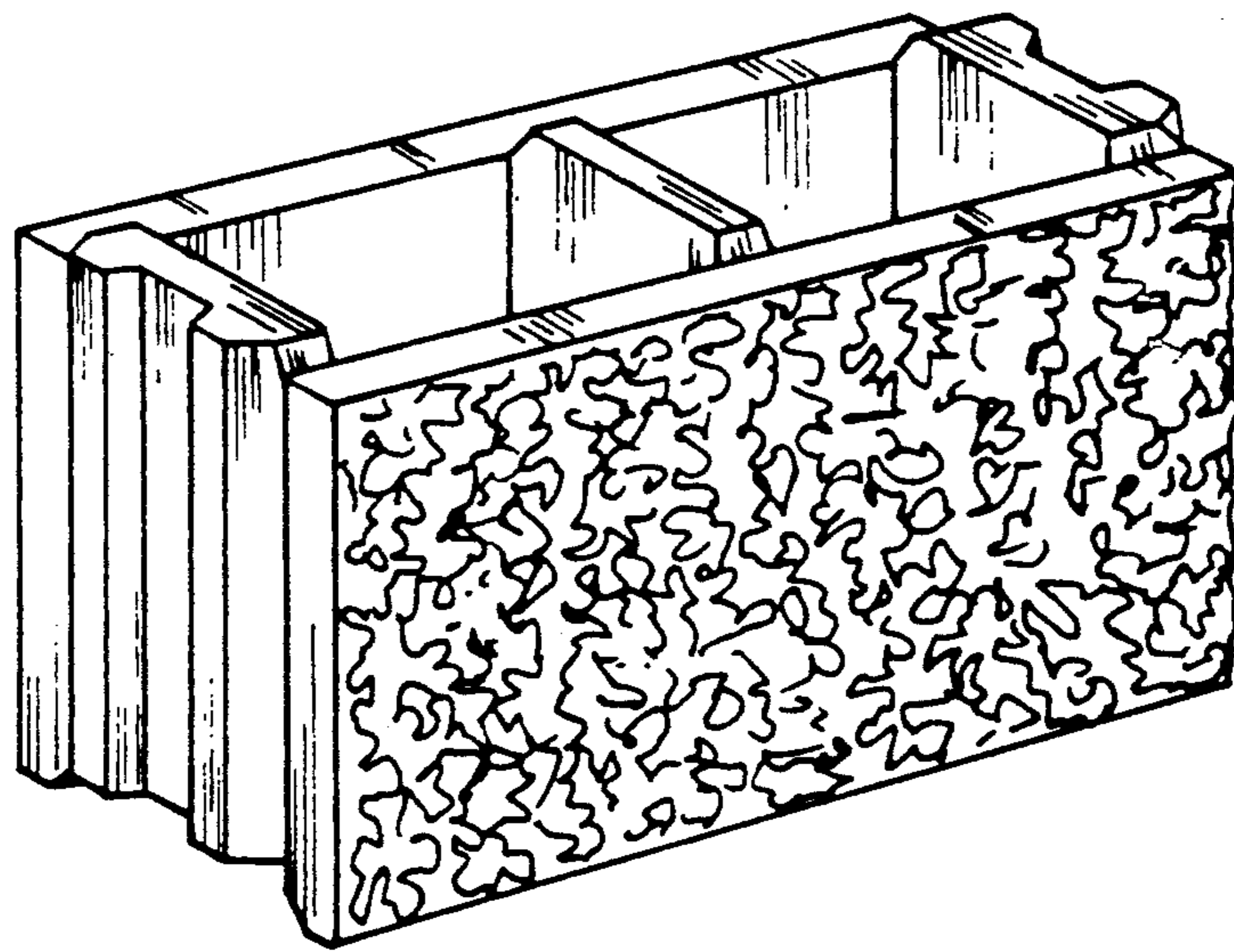


FIG - 10

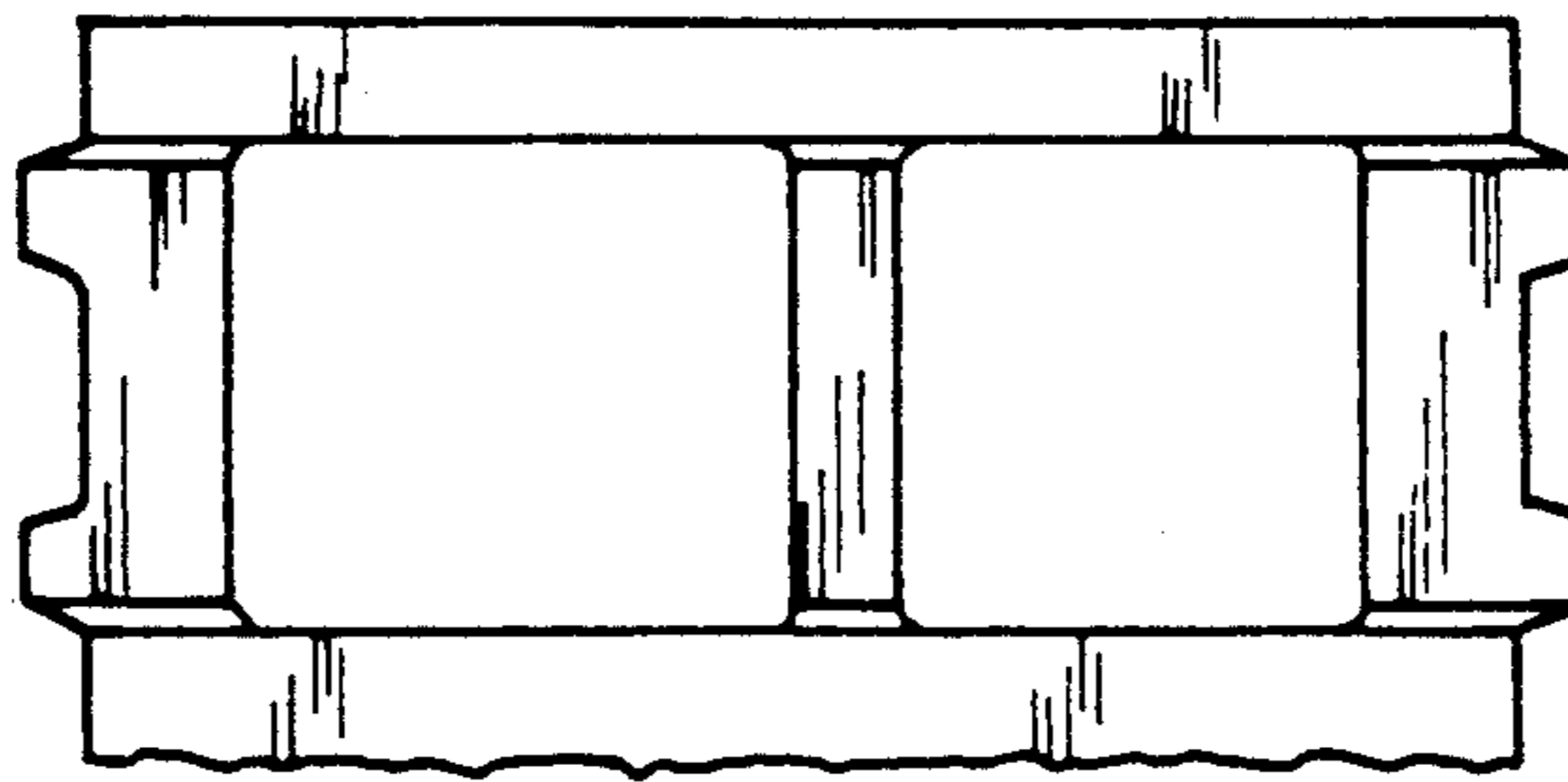


FIG-11

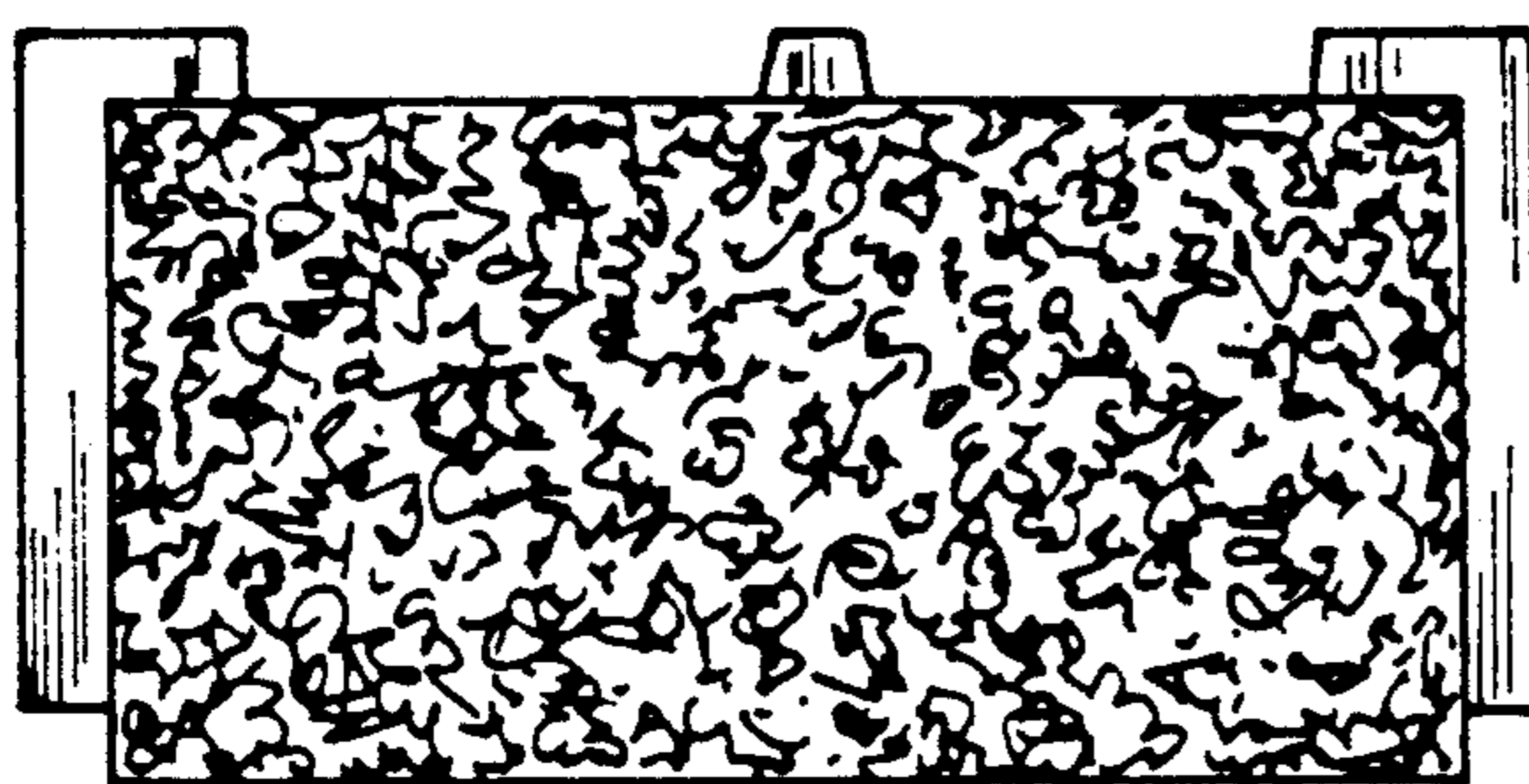


FIG-12

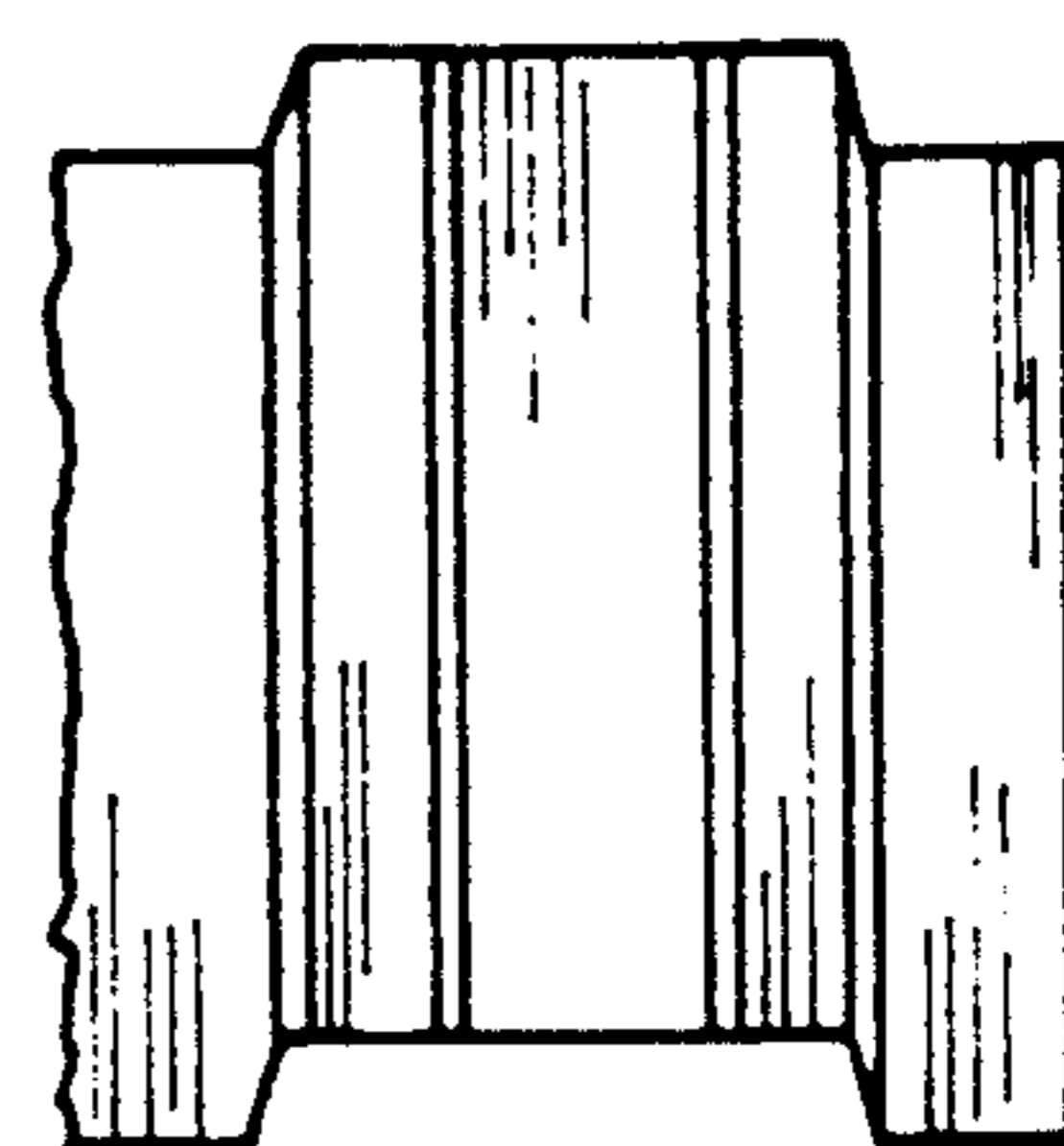


FIG-13

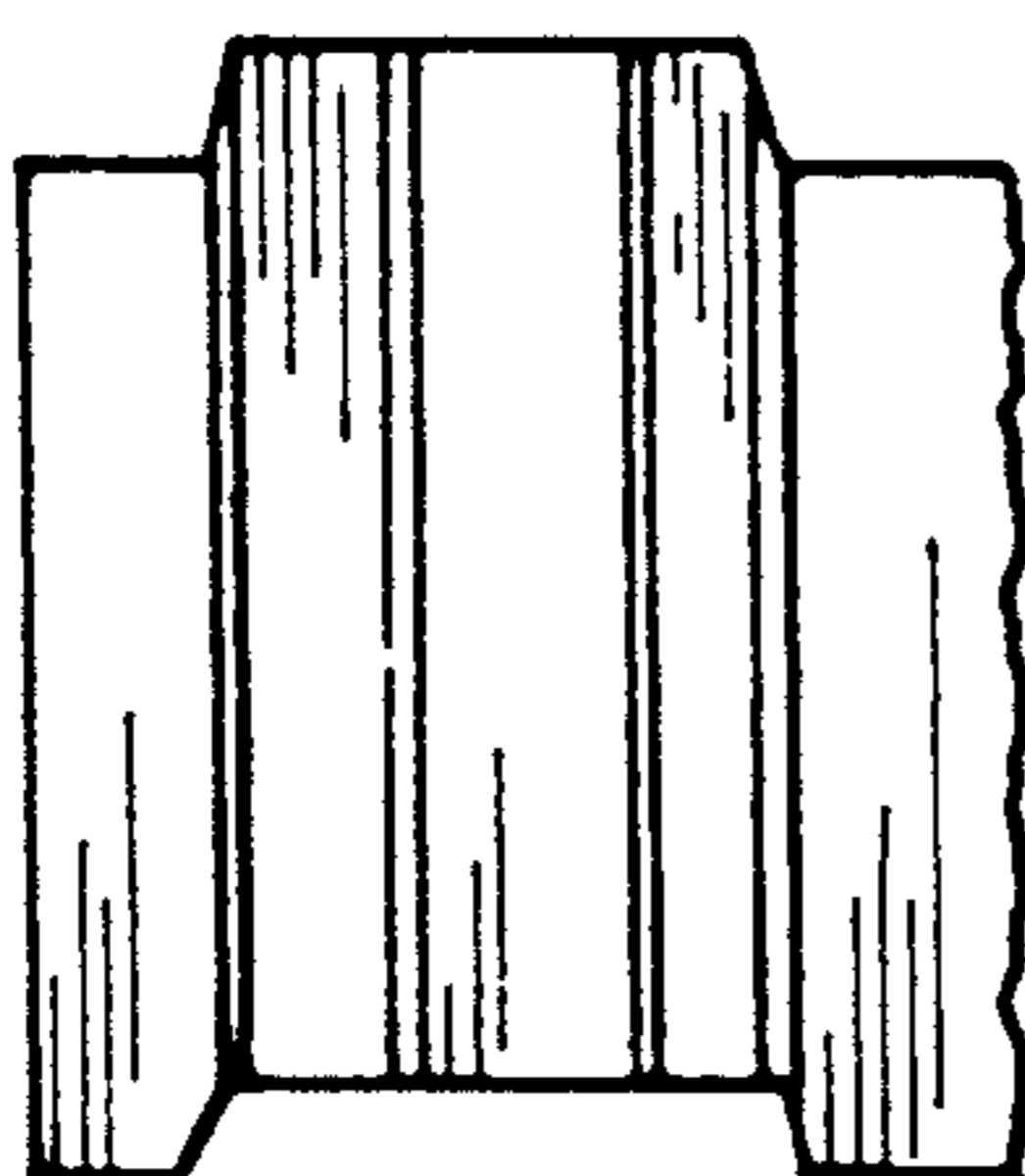


FIG-14

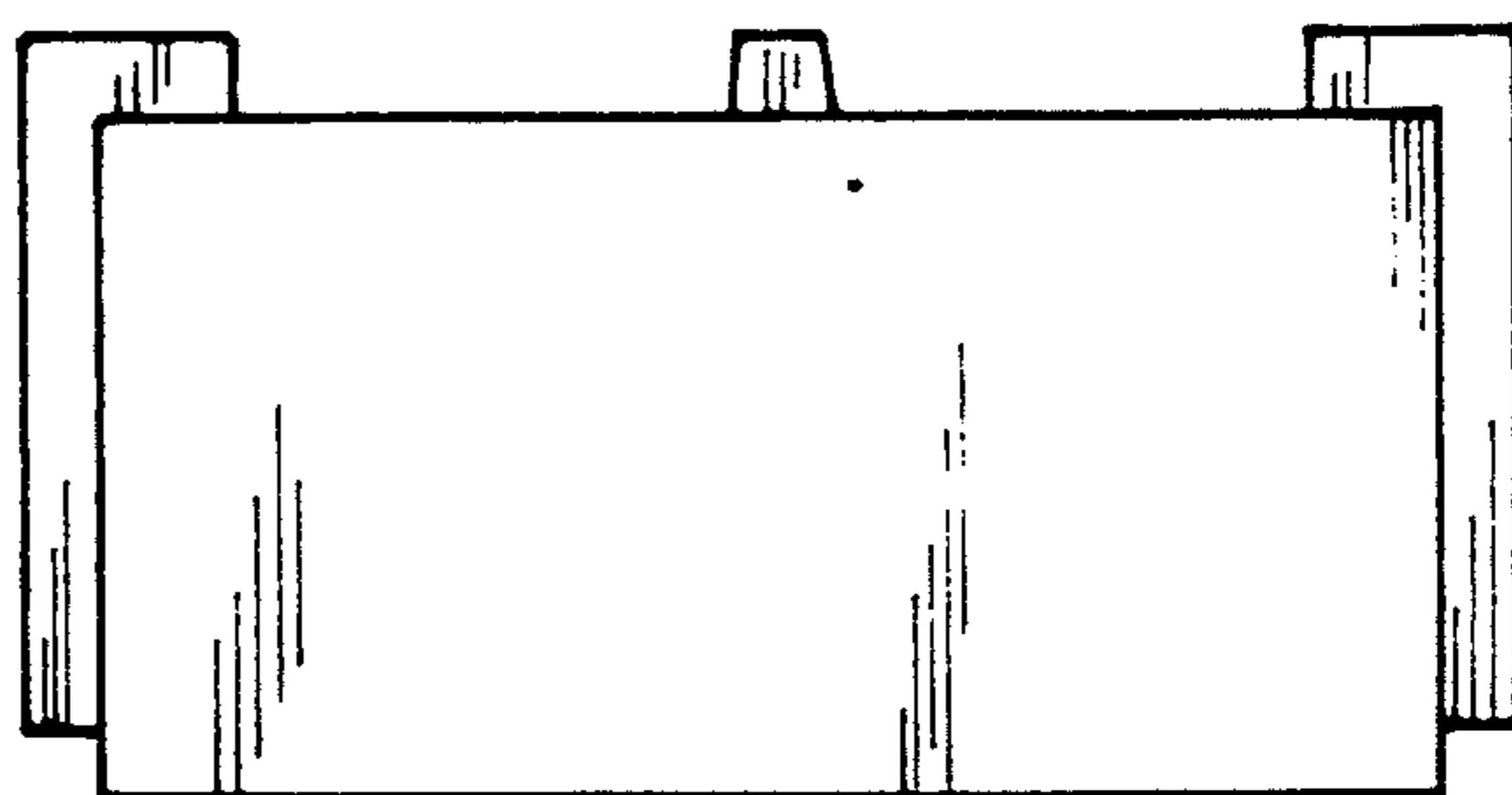


FIG-15

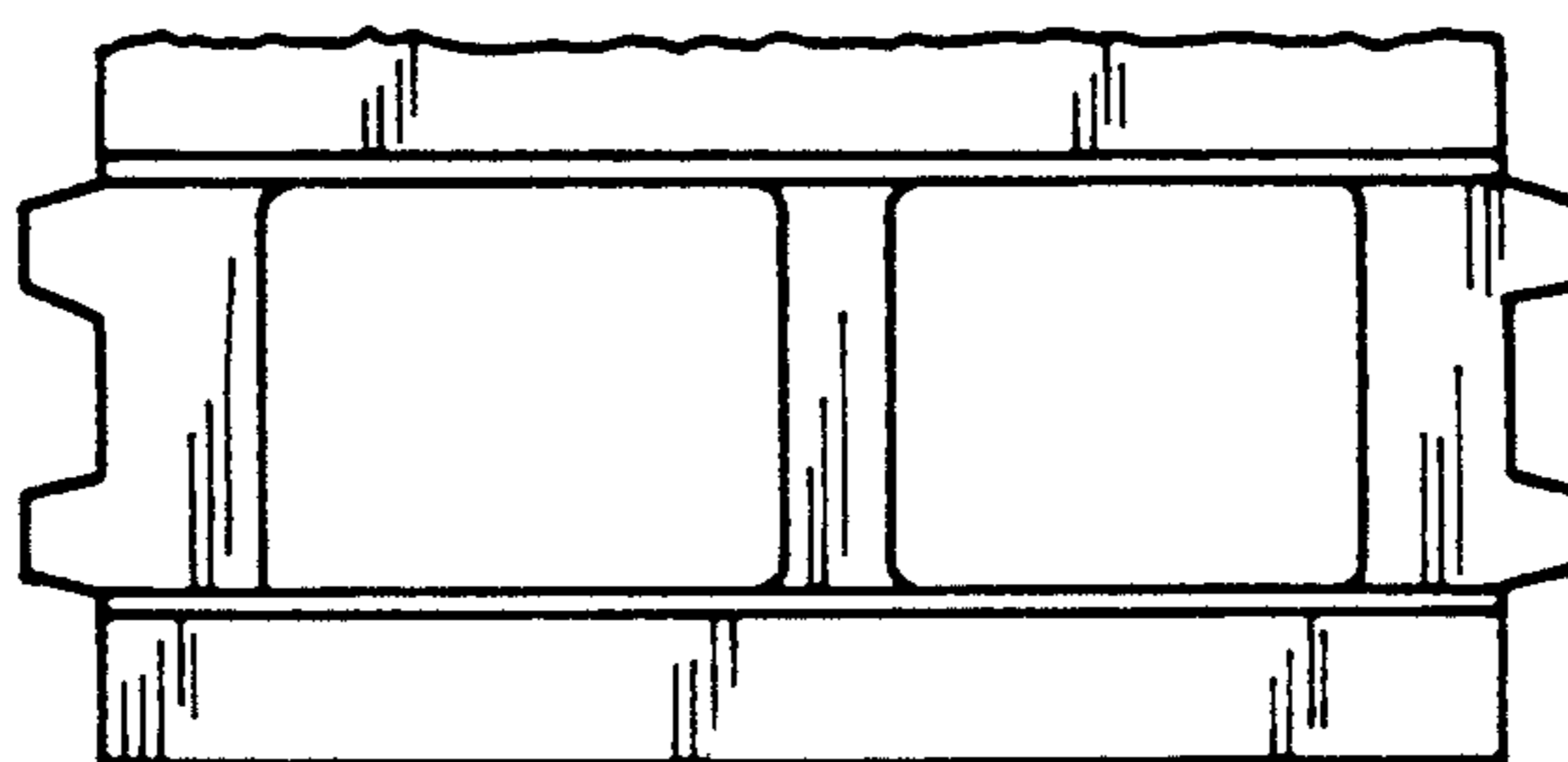


FIG-16