



US00D340775S

# United States Patent [19]

[11] Patent Number: **Des. 340,775**

Sauve

[45] Date of Patent: **\*\* Oct. 26, 1993**

[54] **CONCRETE BLOCK**

197710 10/1977 France .  
611285 10/1948 United Kingdom .  
778527 7/1957 United Kingdom .

[75] Inventor: **Dennis L. Sauve**, Belle River, Canada

[73] Assignee: **Newblock Corporation**, Belle River, Canada

*Primary Examiner*—A. Hugo Word  
*Assistant Examiner*—Doris Clark  
*Attorney, Agent, or Firm*—Bereskin & Parr

[\*\*] Term: **14 Years**

[21] Appl. No.: **824,497**

[57] **CLAIM**

[22] Filed: **Jan. 22, 1992**

The ornamental design for a concrete block, as shown and described.

[30] **Foreign Application Priority Data**

**DESCRIPTION**

Jul. 24, 1991 [CA] Canada ..... 24079101  
[52] U.S. Cl. .... **D25/118**  
[58] Field of Search ..... D25/112-118;  
52/596, 602, 605, 608, 610, 590, 593, 594;  
405/272, 273

FIG. 1 is a top perspective view of a concrete block showing my new design;  
FIG. 2 is a side elevational view taken from the right of FIG. 1;  
FIG. 3 is a front elevational view taken from the left of FIG. 2;  
FIG. 4 is a top view of the concrete block shown in FIG. 1;  
FIG. 5 is a rear elevational view taken from the right of FIG. 2;  
FIG. 6 is a view from the bottom of the concrete block shown in FIG. 1;  
FIG. 7 is a top perspective view of a second embodiment of a concrete block showing my new design;  
FIG. 8 is a top perspective view of a third embodiment of a concrete block showing my new design;  
FIG. 9 is a top perspective view of a fourth embodiment of a concrete block showing my new design;  
FIG. 10 is a top perspective view of a fifth embodiment of a concrete block showing my new design; and,  
FIG. 11 is a top perspective view of a sixth embodiment of a concrete block showing my new design.

[56] **References Cited**

**U.S. PATENT DOCUMENTS**

D. 245,340 8/1977 Johnson ..... D25/118  
783,452 2/1905 Morenus ..... D25/113  
1,771,275 7/1930 Stamm .  
1,953,154 4/1934 Cram ..... 52/590  
2,201,110 5/1940 Makram ..... D25/113  
2,316,319 4/1943 Demarest ..... 72/41  
2,482,556 9/1949 Petras ..... D25/118  
4,516,364 5/1985 Heider ..... 52/593

**FOREIGN PATENT DOCUMENTS**

52375/73 8/1974 Australia .  
D34571 11/1971 Canada .  
D43479 4/1978 Canada .  
D44135 9/1978 Canada .  
2203824 8/1973 Fed. Rep. of Germany .

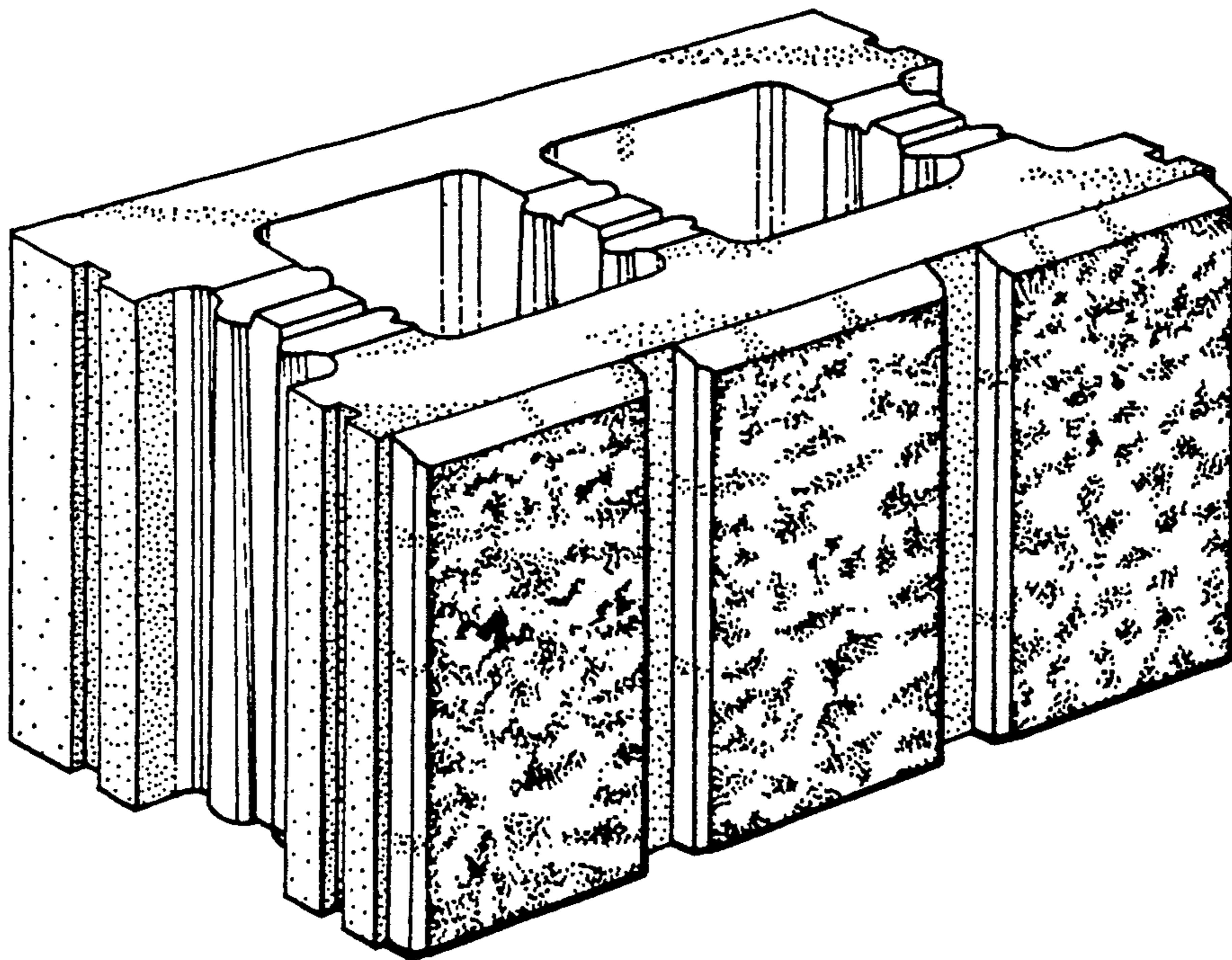


FIG. 1.

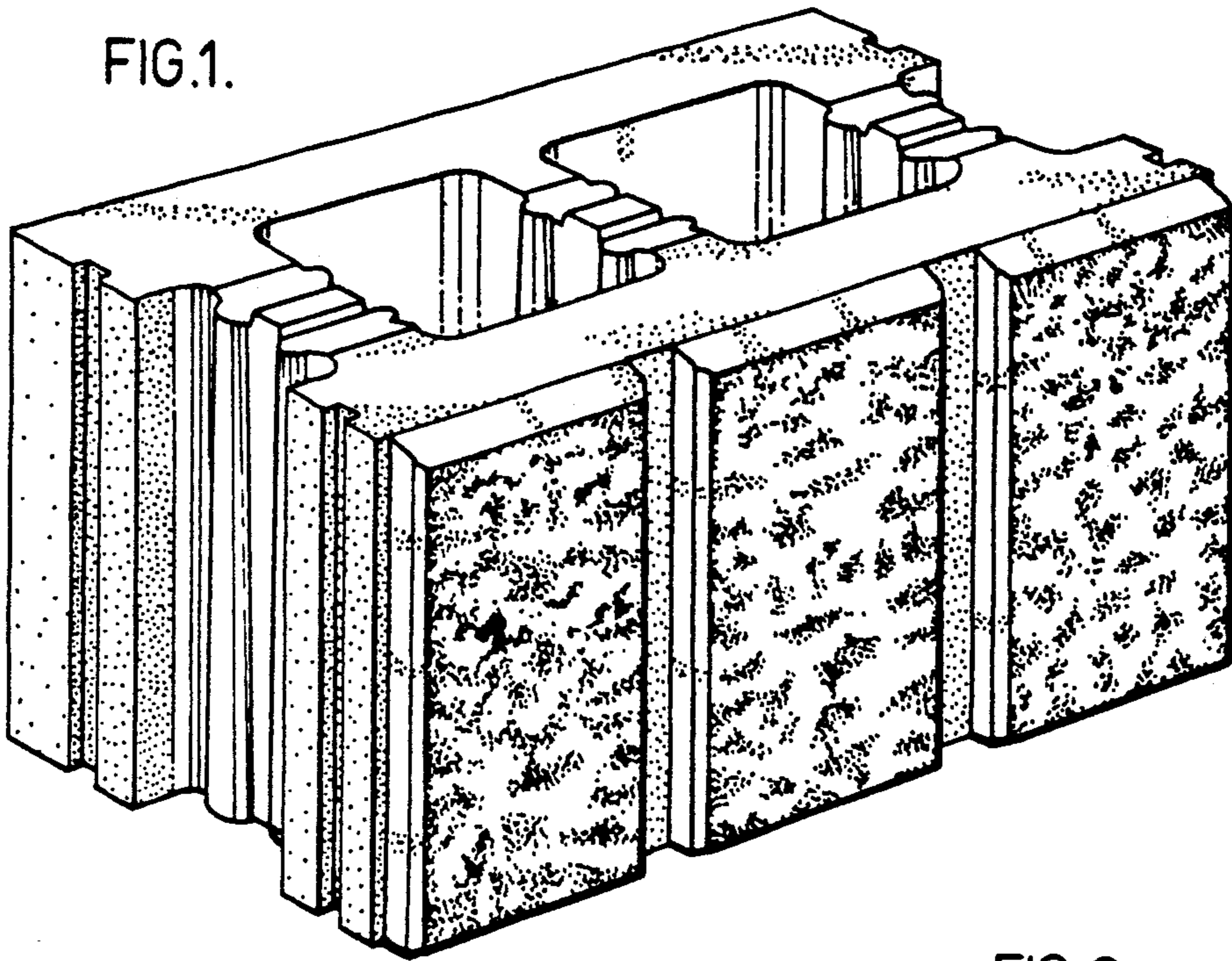


FIG. 2.

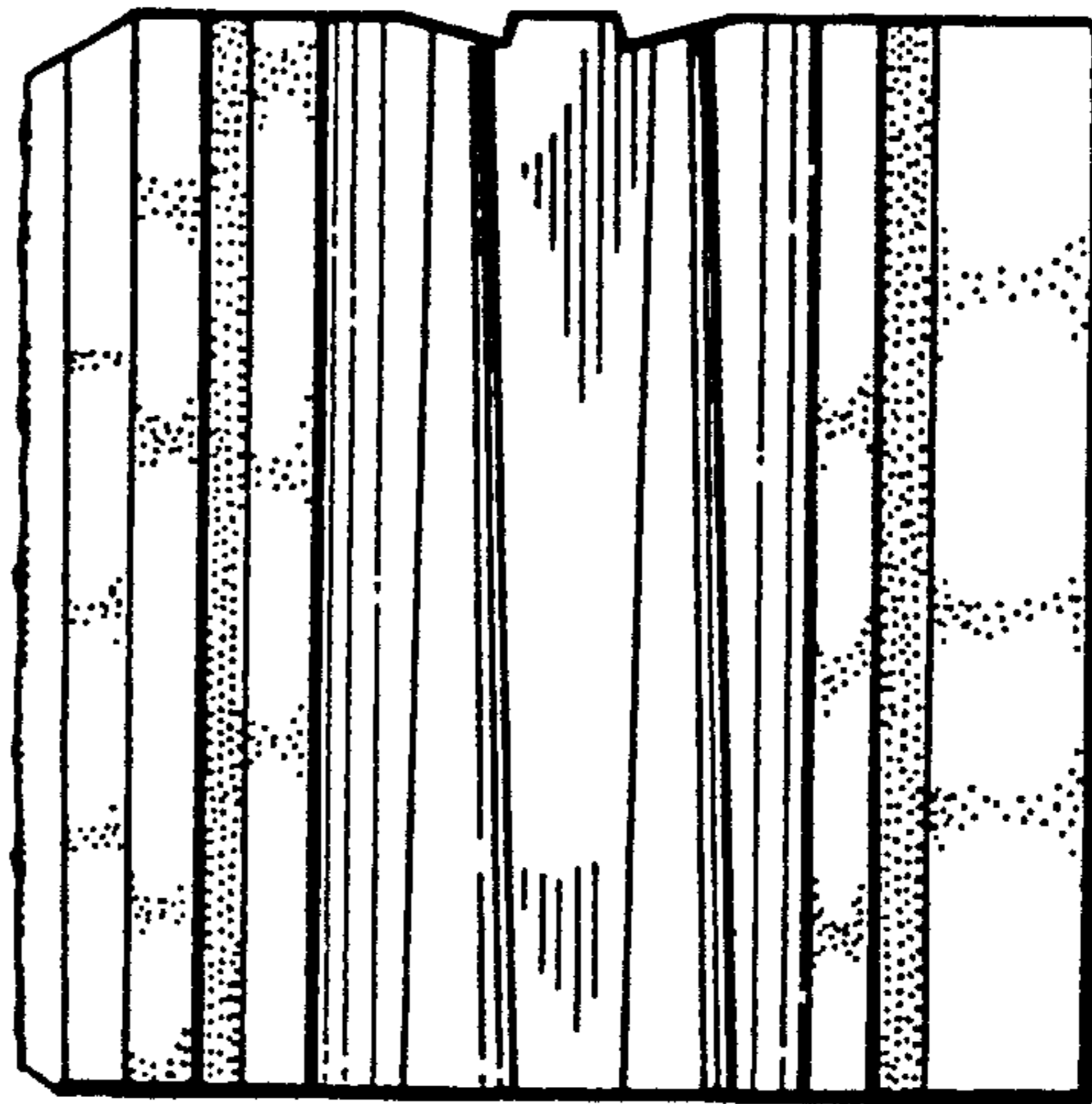
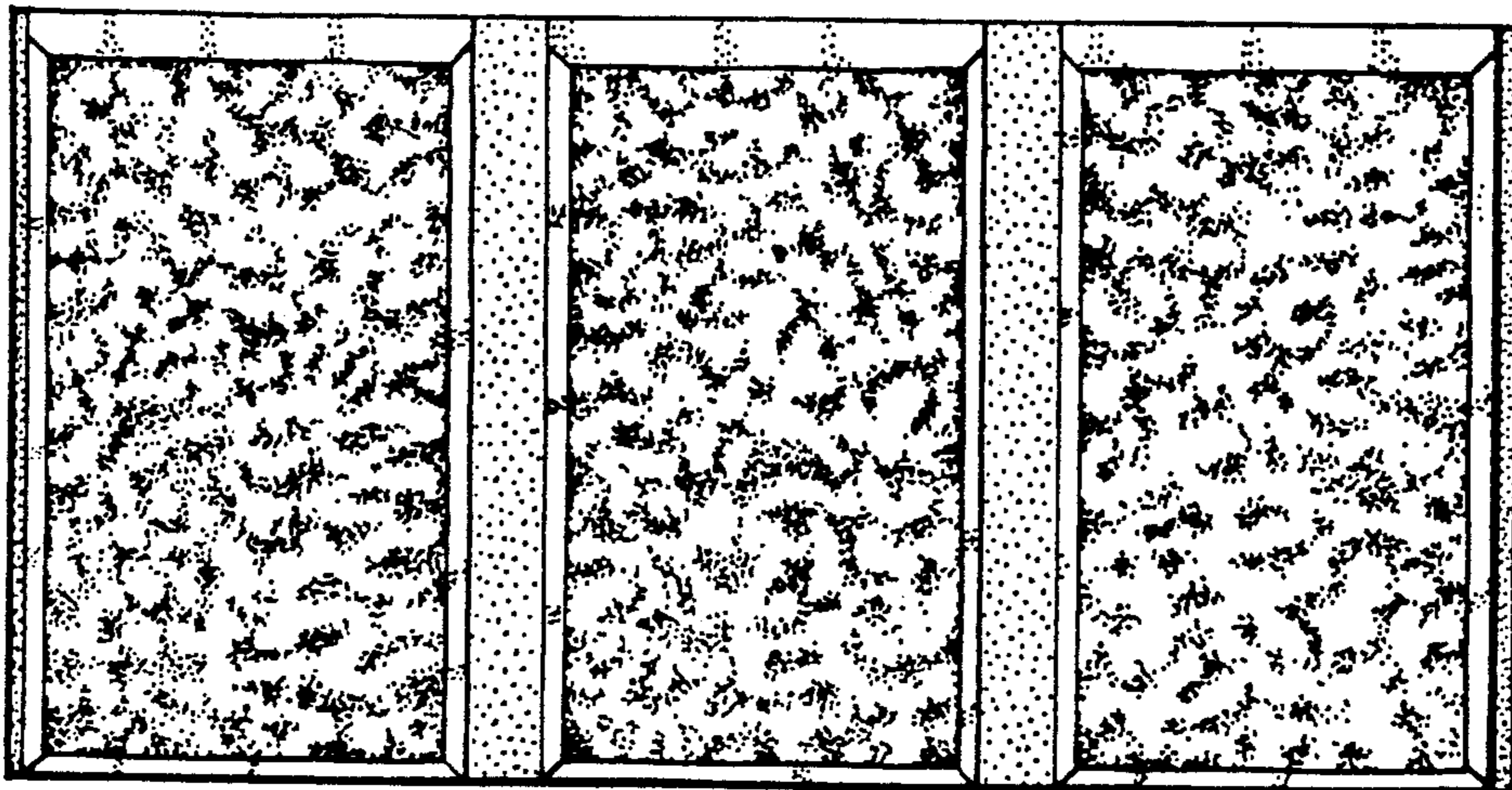


FIG. 3.



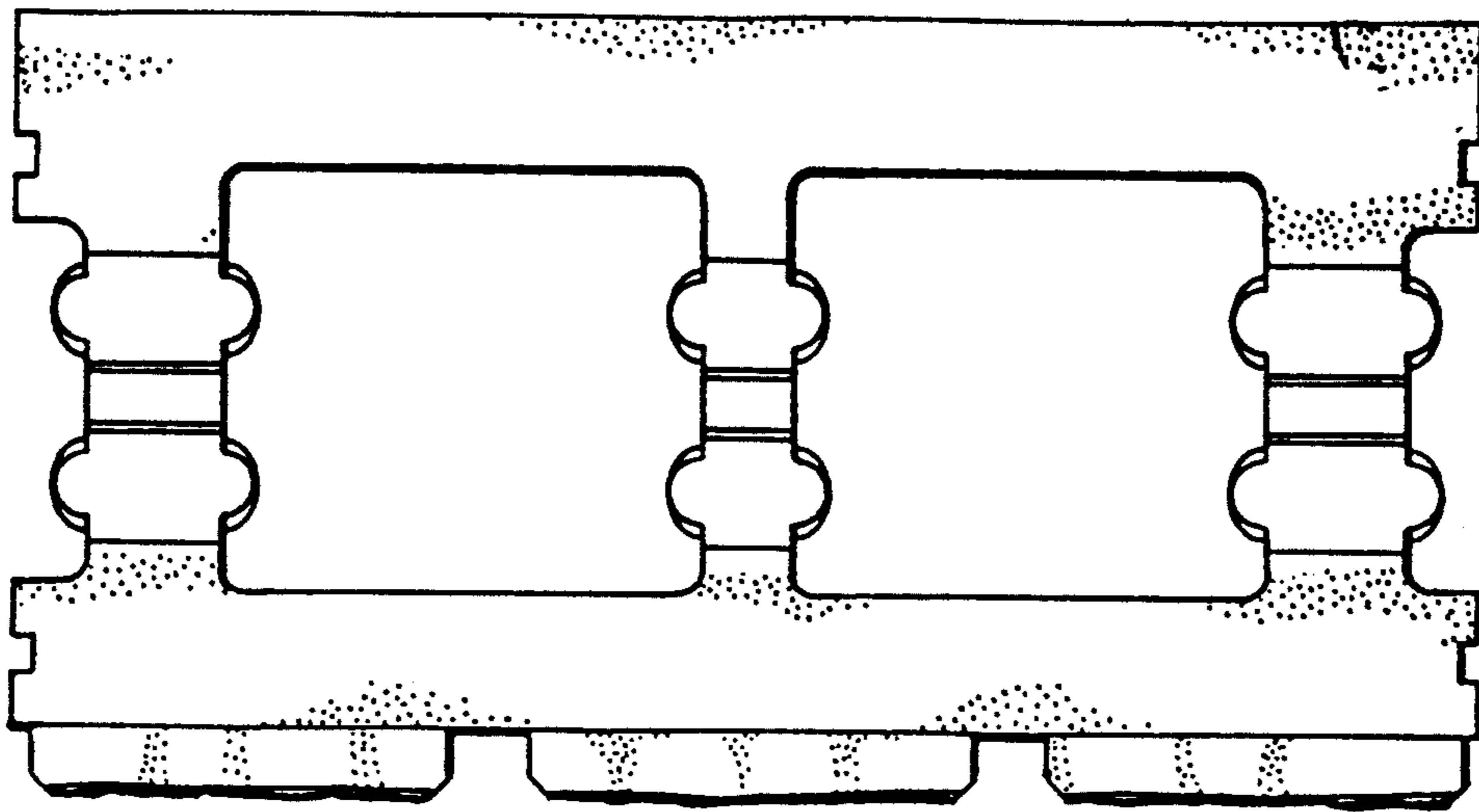


FIG. 4.

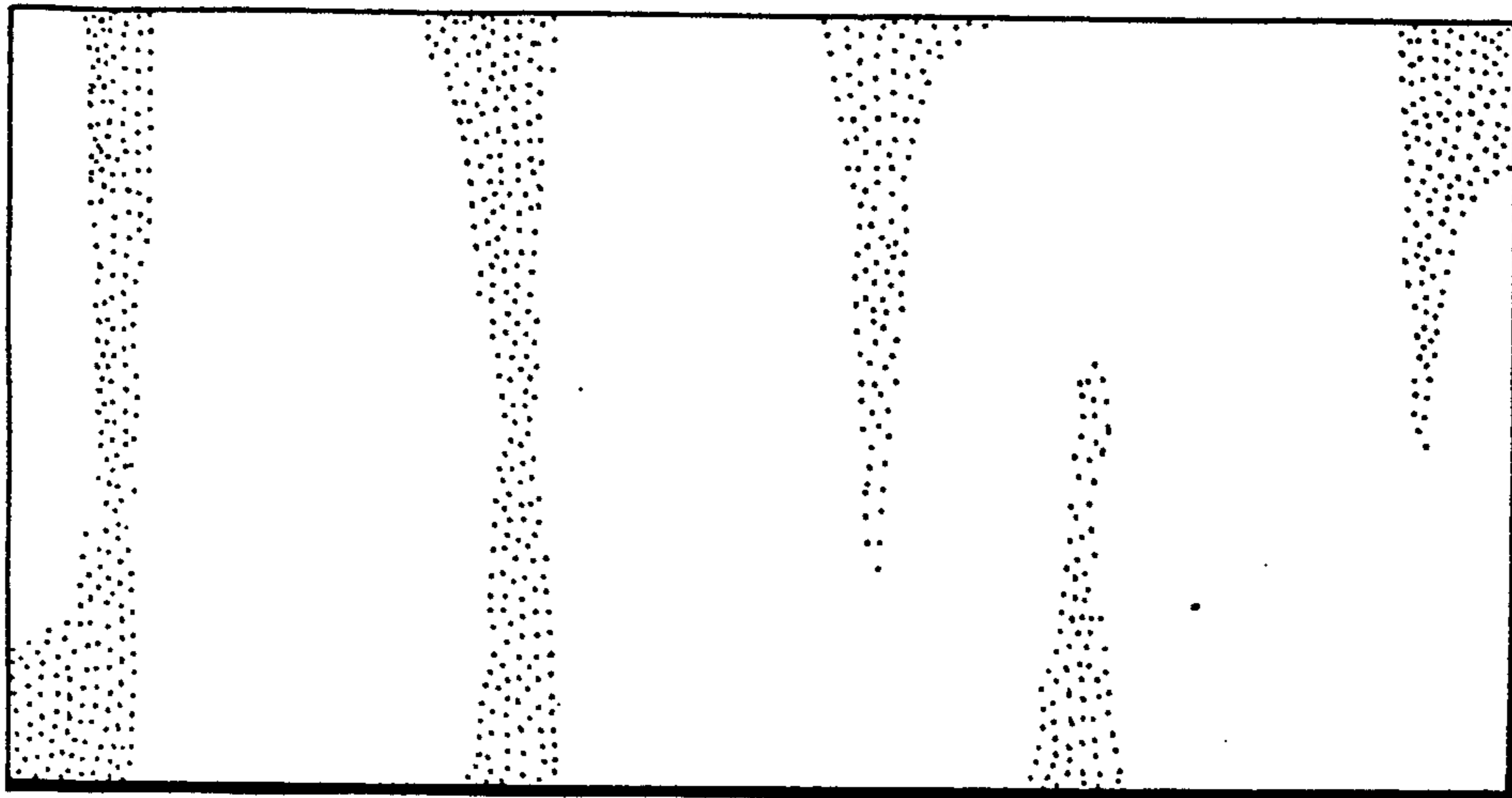


FIG. 5.

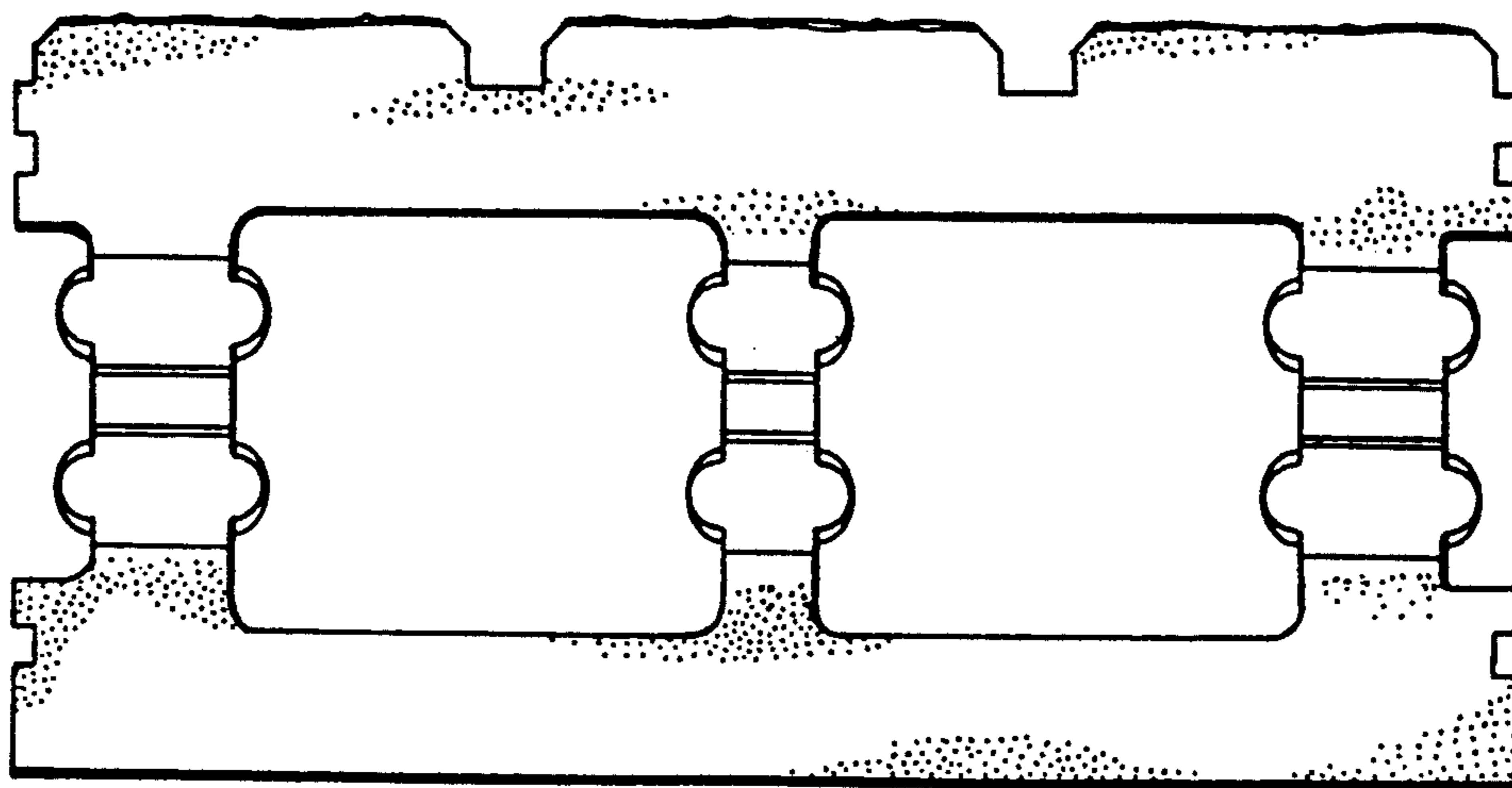


FIG. 6.

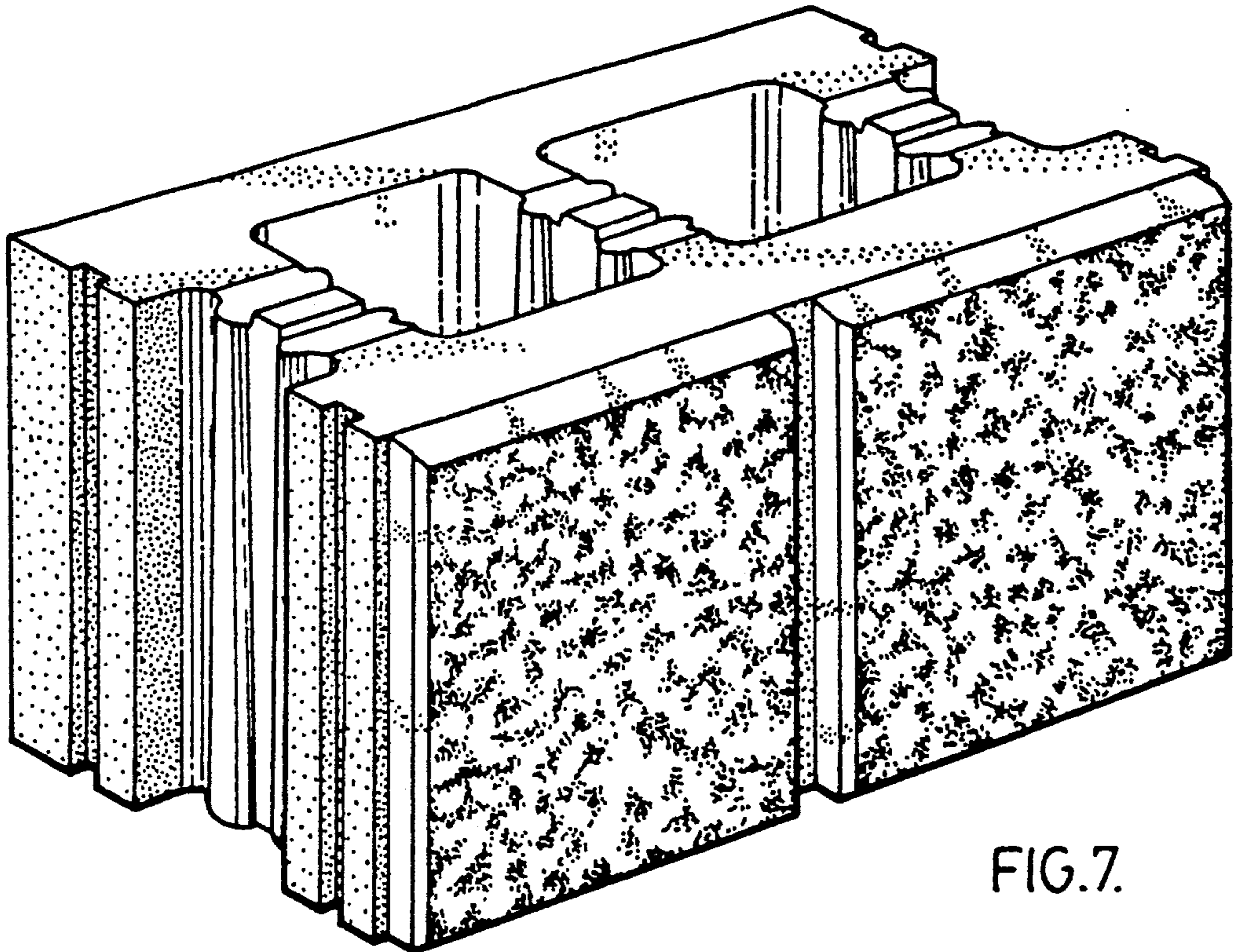


FIG. 7.

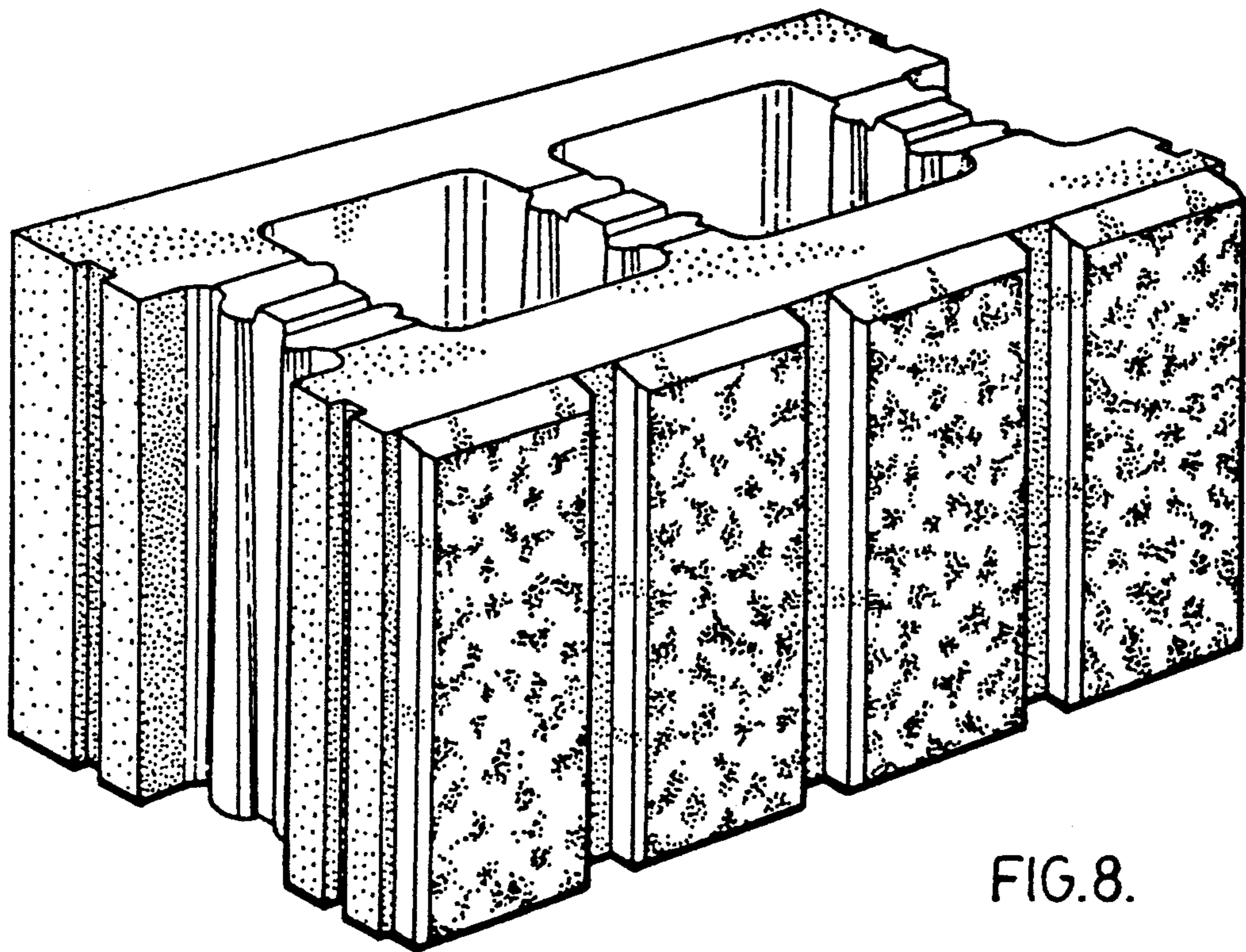


FIG. 8.

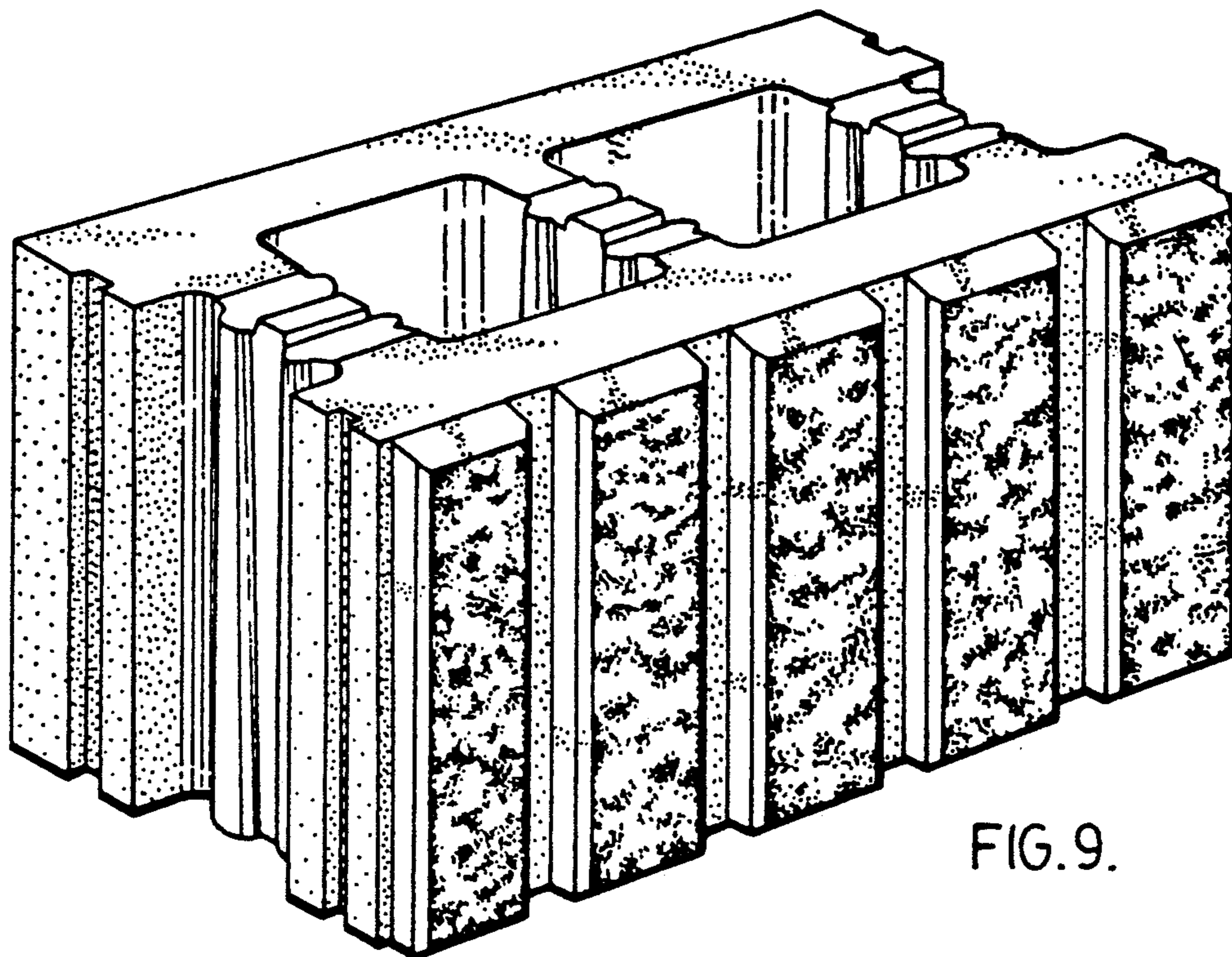


FIG. 9.

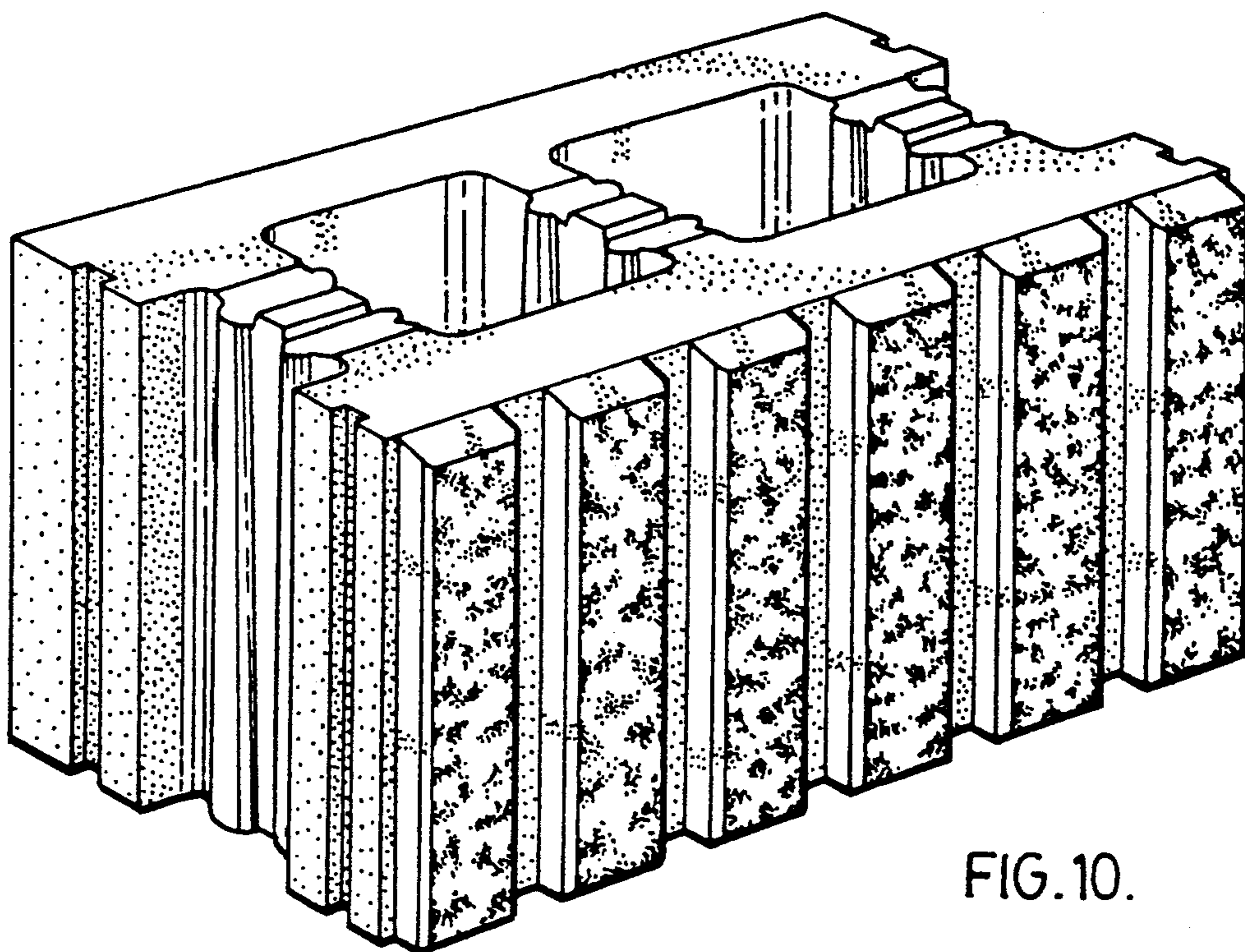


FIG. 10.

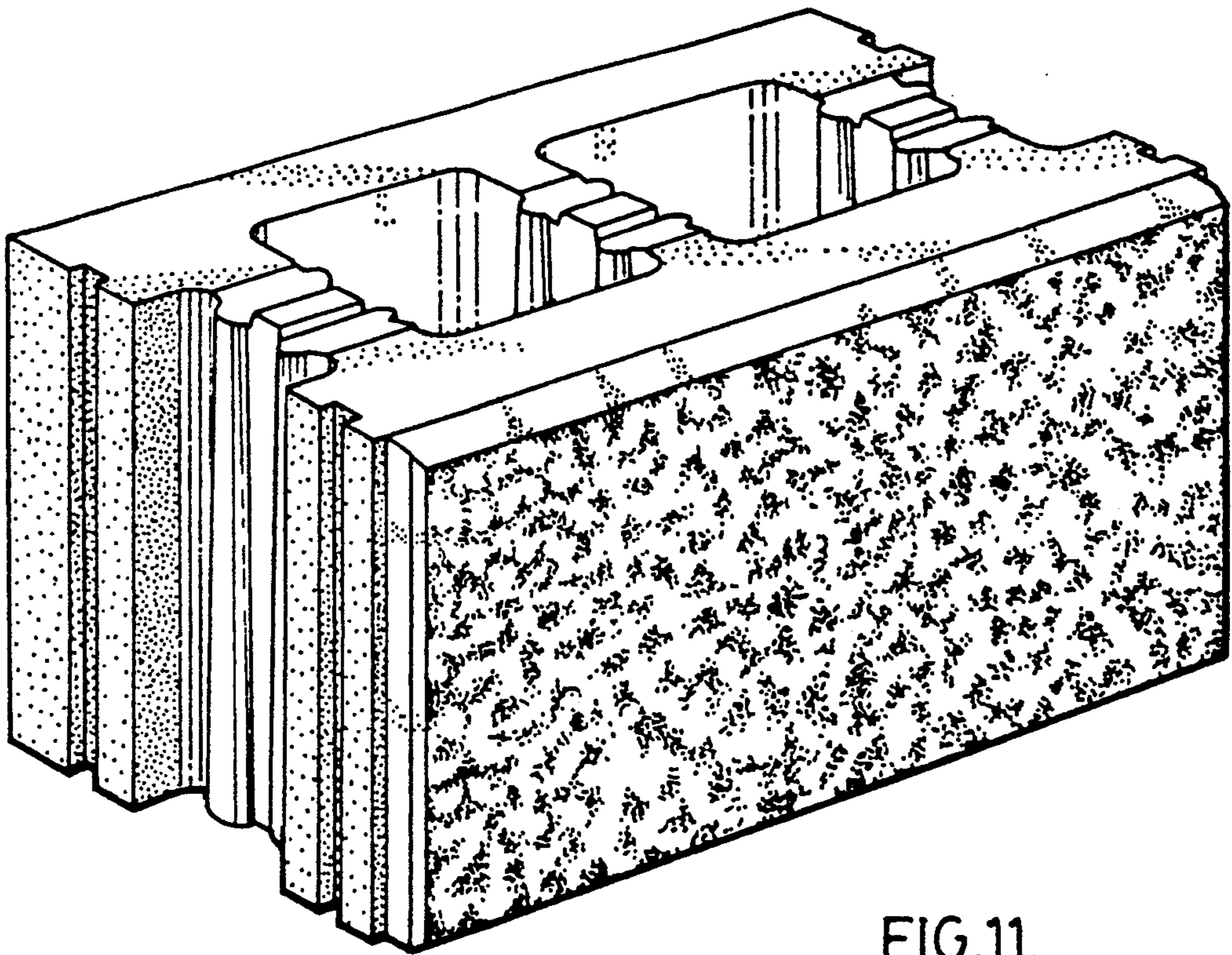


FIG.11.