



US00D340765S

United States Patent [19]

Joss et al.

[11] Patent Number: **Des. 340,765**

[45] Date of Patent: **** Oct. 26, 1993**

[54] **TILTABLE HEATER**

[75] Inventors: **Michael S. Joss, Chicago; Stanley T. Gresens, Homewood, both of Ill.**

[73] Assignee: **The Rival Company, Kansas City, Mo.**

[**] Term: **14 Years**

[21] Appl. No.: **889,099**

[22] Filed: **May 26, 1992**

[52] U.S. Cl. **D23/336; D23/332**

[58] Field of Search **D23/335, 336, 370, 381, D23/382; 392/366, 379, 383; 416/246 R, 95, 247 R**

[56] **References Cited**

U.S. PATENT DOCUMENTS

D. 144,637	5/1946	Smith	D23/335
D. 149,266	4/1948	Gustafson	D23/336
D. 157,834	3/1950	Bourner	D23/335
D. 161,145	12/1950	Wilson	D23/335
D. 161,146	12/1950	Wilson	D23/335
D. 161,147	12/1950	Wilson	D23/342
D. 265,122	6/1982	Townsend et al.	D23/122
D. 286,428	10/1986	Liu	D23/122
D. 301,277	5/1989	Fu	D23/342
D. 306,342	2/1990	Lane	D23/332
D. 306,757	3/1990	Lane	D23/335
D. 311,951	11/1990	Dubin	D23/335
D. 314,613	2/1991	De'Longhi	D23/330
D. 320,648	10/1991	Velazquez	D23/335
D. 325,628	4/1992	Cho	D23/370
2,443,983	6/1948	Gustafson et al.	392/368
2,450,921	10/1948	Smith	219/38

2,813,673	11/1957	Smith	230/256
3,059,090	10/1962	Waters	219/39
4,384,189	5/1983	Dahan	219/364
4,703,152	10/1987	Shih-Chin	219/370
4,760,243	7/1988	Tedioli	219/366
4,850,804	7/1989	Huang	416/246
4,870,253	9/1989	De'Longhi	219/369

FOREIGN PATENT DOCUMENTS

935667	6/1948	France	392/366
--------	--------	--------------	---------

OTHER PUBLICATIONS

House & Garden, Nov. 1947, p. 220, Wittie Oscillating Heater Fan.

Brochure for a De'Longhi Turbo Tech Heat Accelerator (date unknown), published prior to May 26, 1992.

Primary Examiner—Wallace R. Burke

Assistant Examiner—Lisa Lichtenstein

Attorney, Agent, or Firm—Willian Brinks Olds Hofer Gilson & Lione

[57] **CLAIM**

The ornamental design for a tiltable heater, as shown and described.

DESCRIPTION

FIG. 1 is a perspective view of a tiltable heater showing our new design;

FIG. 2 is a side view thereof, the opposite side being a mirror image of that shown;

FIG. 3 is a front view thereof;

FIG. 4 is a rear view thereof;

FIG. 5 is a top view thereof; and,

FIG. 6 is a bottom view thereof.

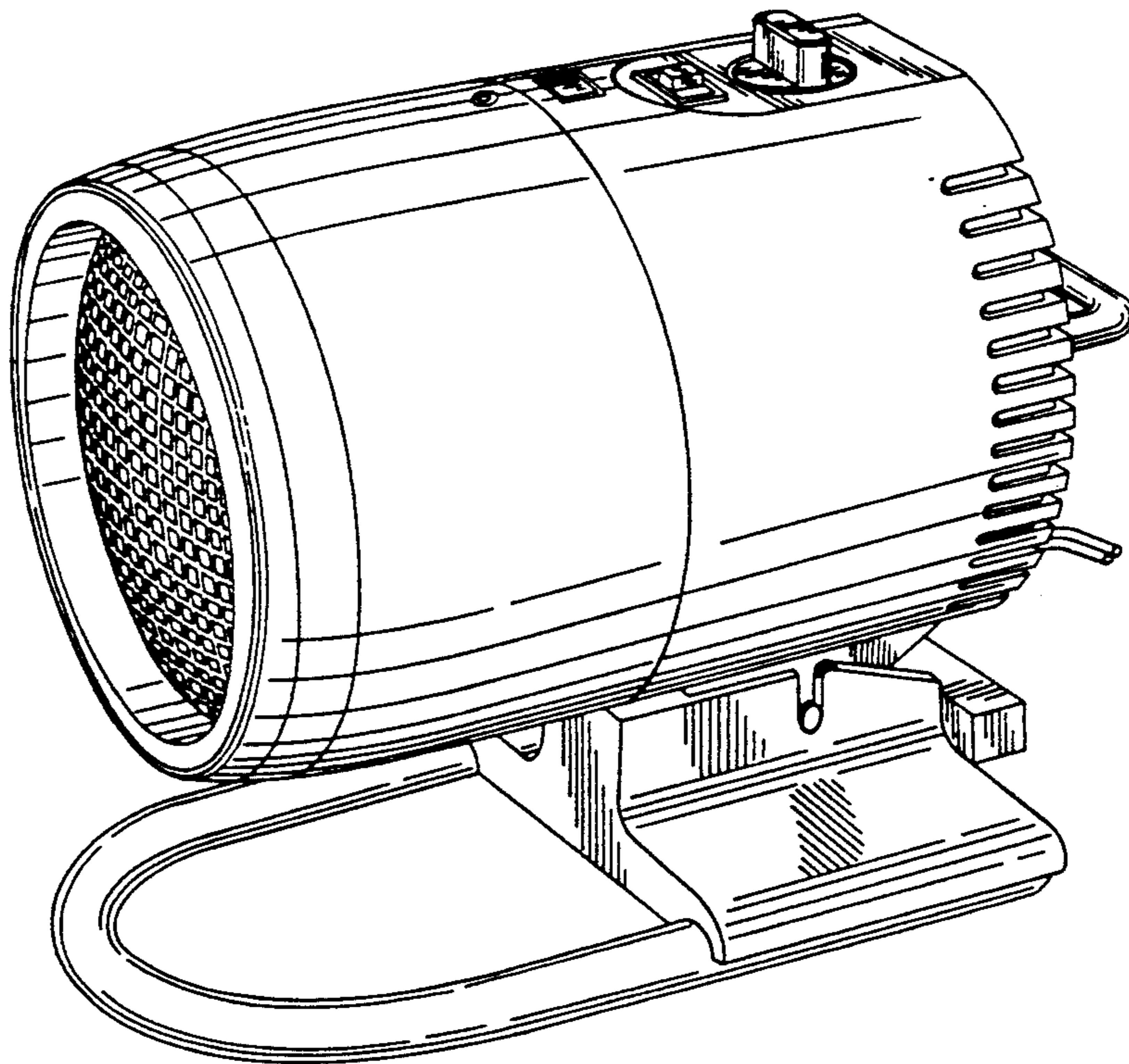


FIG. 1

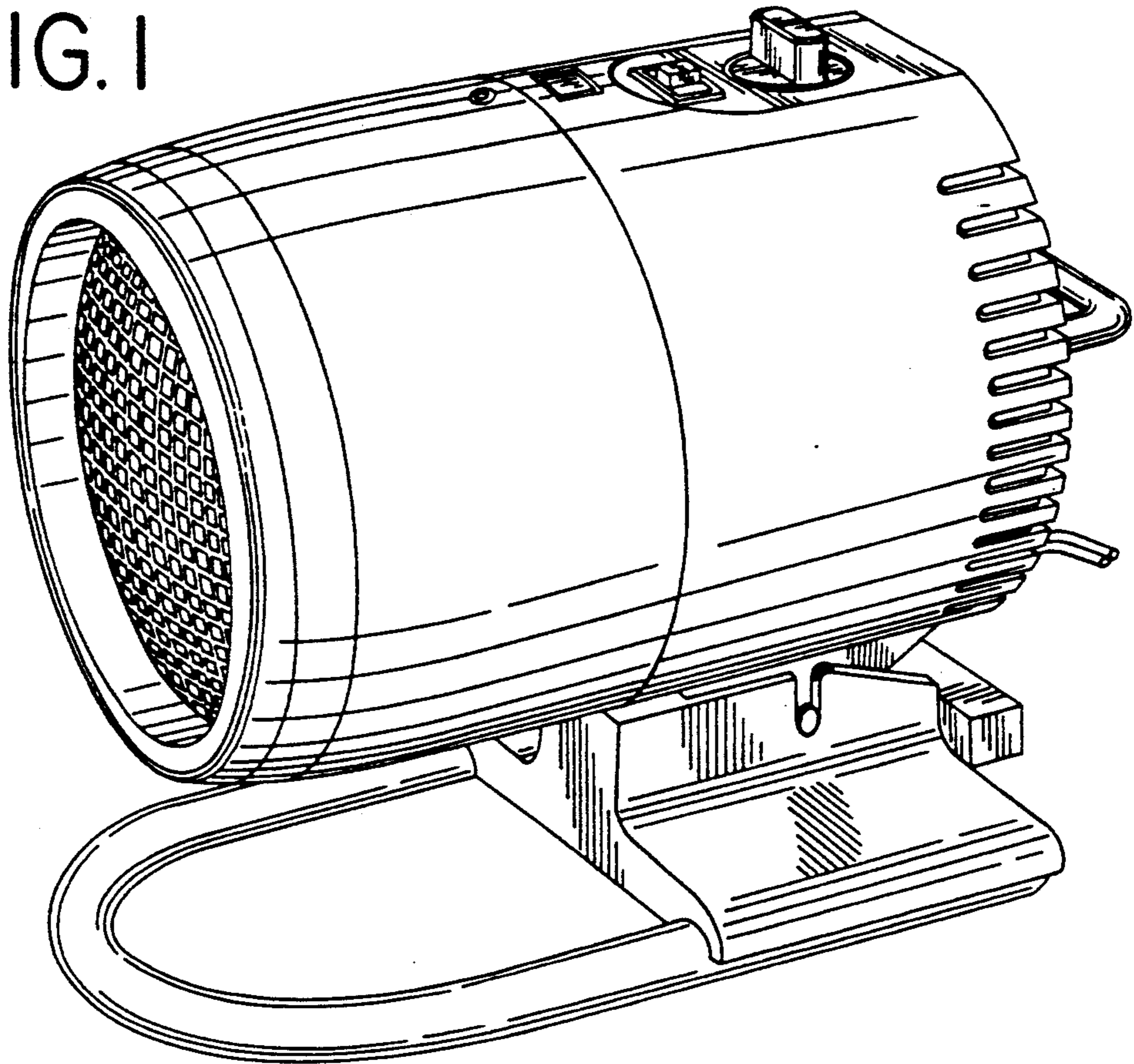


FIG. 2

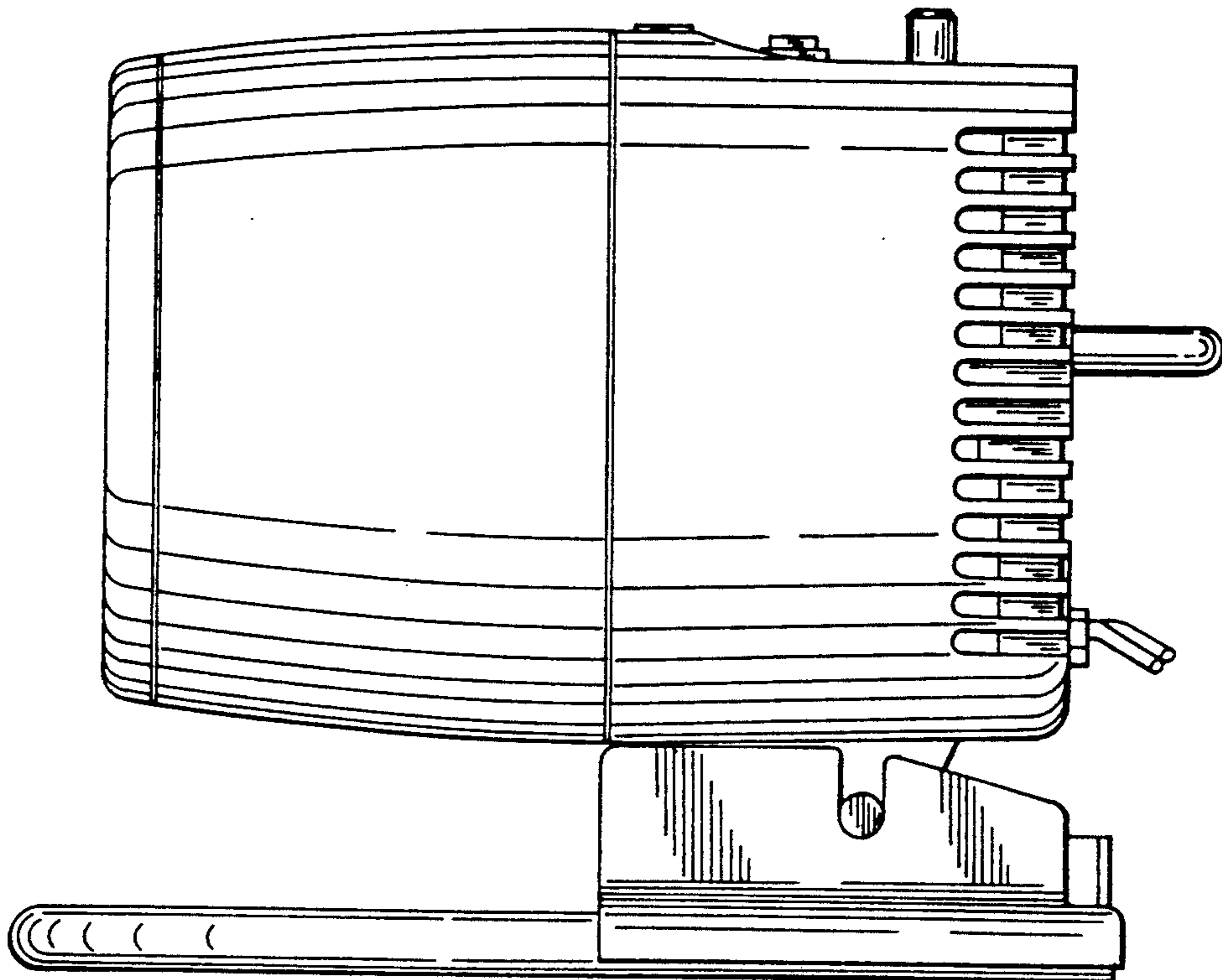


FIG. 3

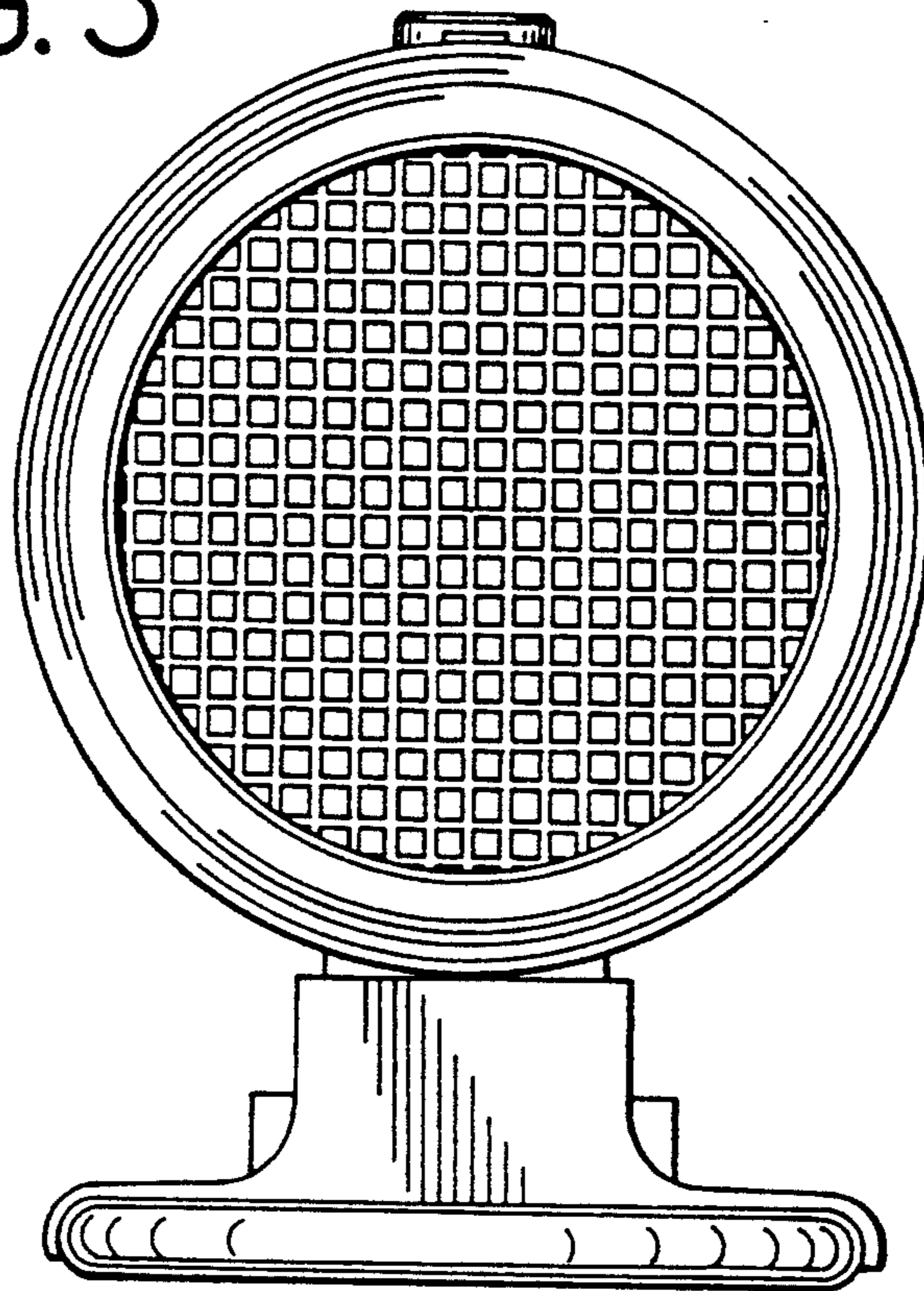


FIG. 4

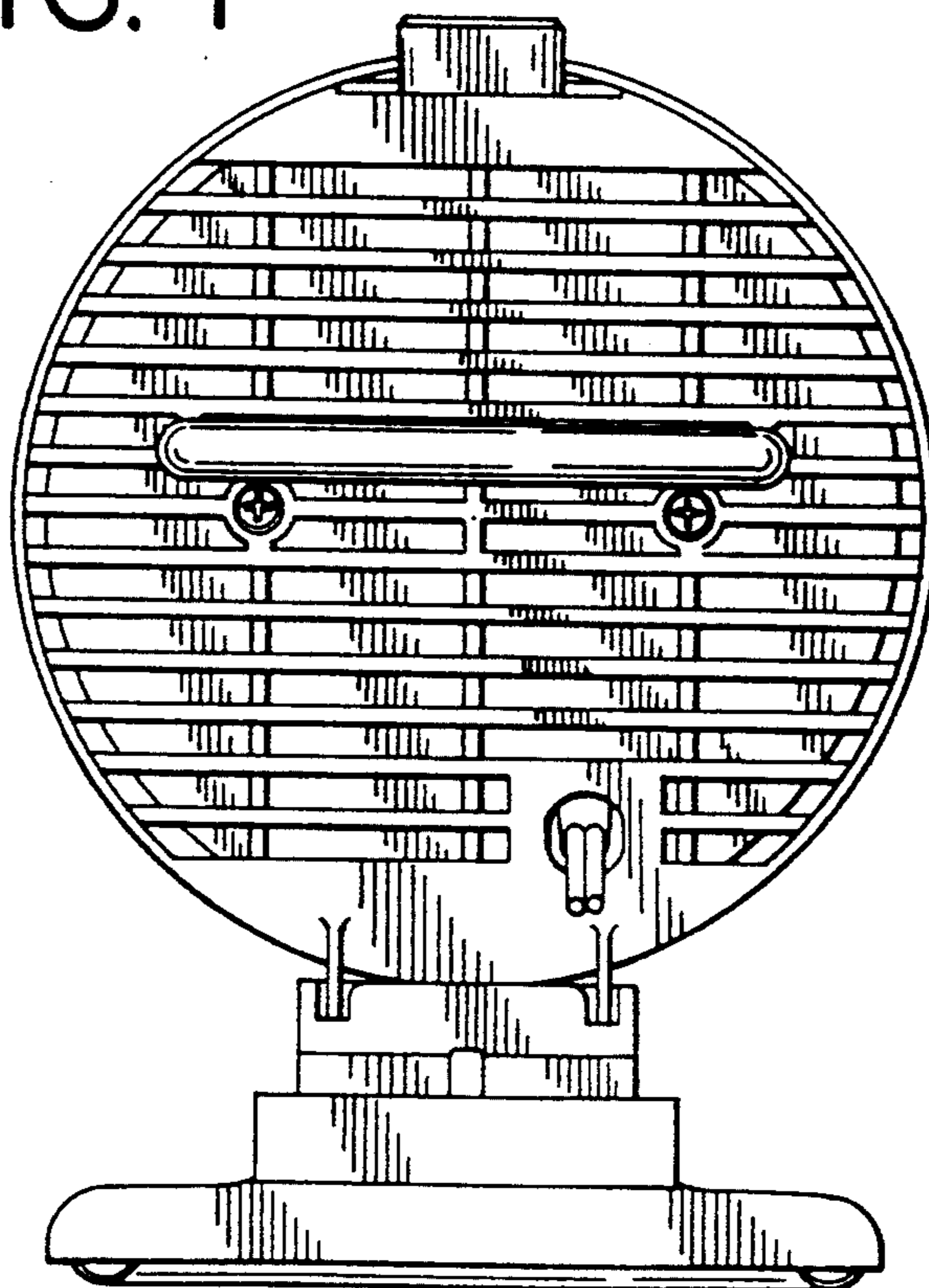


FIG. 5

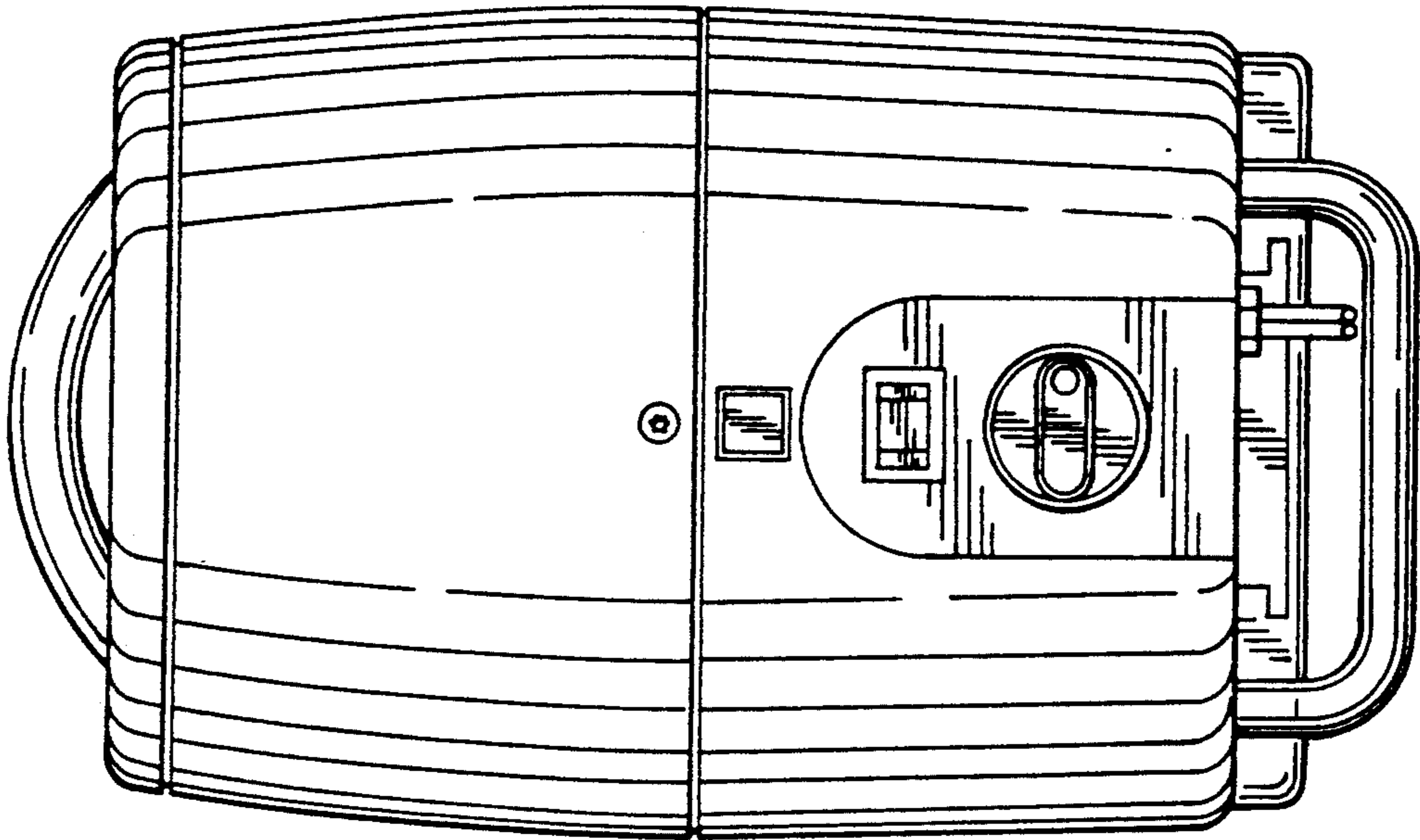


FIG. 6

