



US00D340763S

United States Patent [19]

[11] Patent Number: Des. 340,763

Bonnell

[45] Date of Patent: ** Oct. 26, 1993

[54] HANDLE FOR A PLUMBING FITTING

[75] Inventor: Thomas A. Bonnell, Sheboygan, Wis.

[73] Assignee: Kohler Co., Kohler, Wis.

[**] Term: 14 Years

[21] Appl. No.: 764,403

[22] Filed: Sep. 23, 1991

[52] U.S. Cl. D23/250

[58] Field of Search D23/238-243,
D23/250-254; D8/300, 306-320; 16/110, 118,
121

[56] References Cited

U.S. PATENT DOCUMENTS

D. 76,904	11/1928	Smith	D23/254
D. 276,544	11/1984	Piesco	D23/254
D. 317,618	6/1991	Robbins	D23/250
D. 318,714	7/1991	Spangler	D23/250
D. 321,630	11/1991	Hollinger	D23/250 X
D. 324,726	3/1992	Bonnell	D23/254
D. 325,958	5/1992	Stairs, Jr. et al.	D23/250
D. 327,531	6/1992	Ko	D23/250
4,998,321	3/1991	Gaffney et al.	16/110 R

OTHER PUBLICATIONS

Architectural Record May 1936, p. 53.
An undated Zuchette ad for three hole bidet mixer set.

P. 56 from an undated Harden ad showing, among others, its model 88-01-2-OC-B faucet.

An undated Rubinet ad showing its "Quadrice" faucet. An undated Price Pfister ad showing cross handle faucets.

Undated pp. 2-27 of a Kohler catalog showing the K-6811-XX IV Georges lavatory faucet with cross handles, admitted prior art.

Primary Examiner—James R. Largen
Attorney, Agent, or Firm—Quarles & Brady

[57] CLAIM

The ornamental design for a handle for a plumbing fitting, as shown and described.

DESCRIPTION

FIG. 1 is a top perspective view of a handle for a plumbing fitting showing my new design;

FIG. 2 is a top plan view thereof;

FIG. 3 is a side elevational view thereof, the other sides being the same as the side shown;

FIG. 4 is a cross-sectional view along line 4-4 of FIG. 2;

FIG. 5 is a top perspective view of a second embodiment thereof;

FIG. 6 is a cross-sectional view along line 6-6 of FIG. 5; and,

FIG. 7 is a side elevational view of a third embodiment thereof.

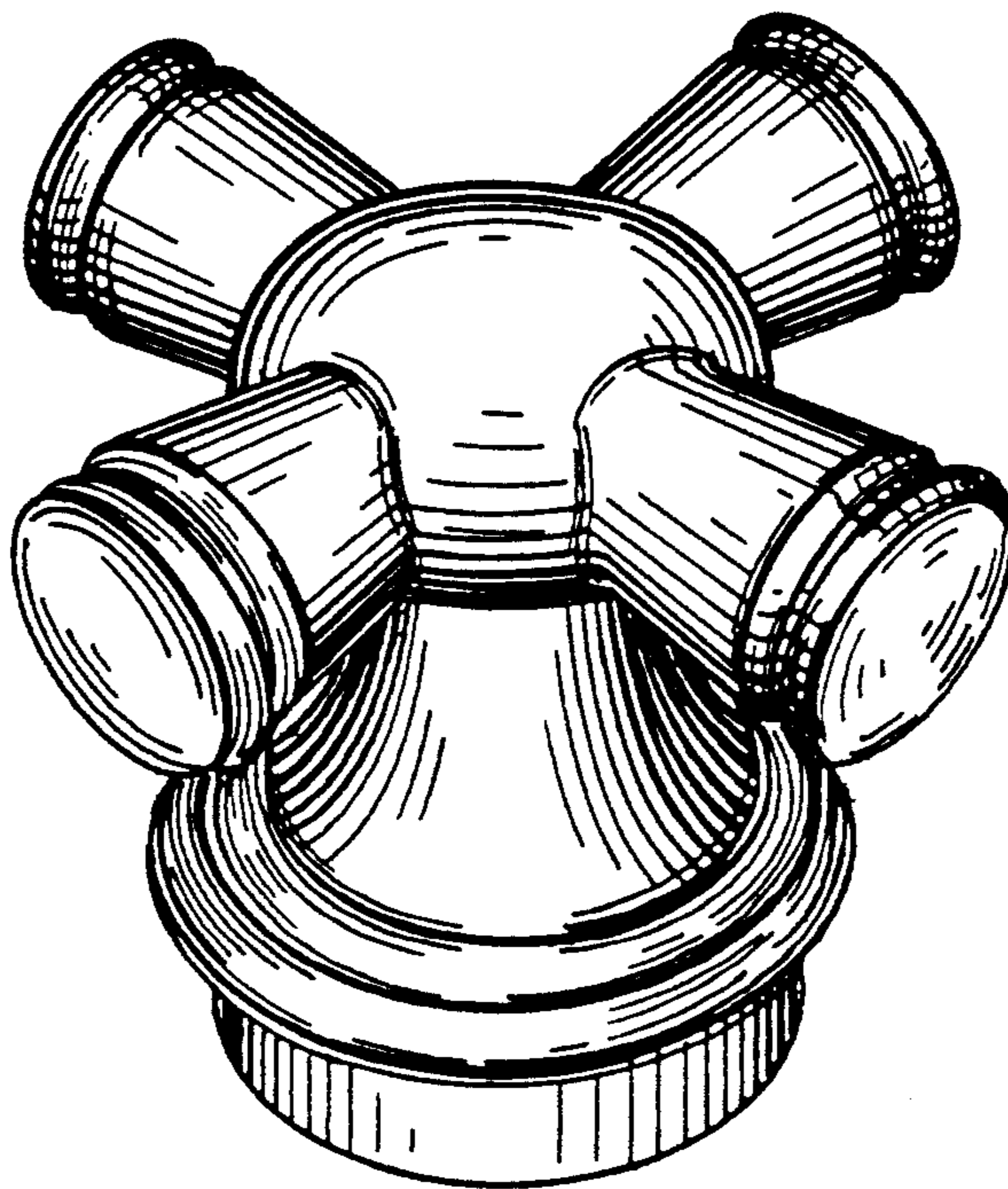
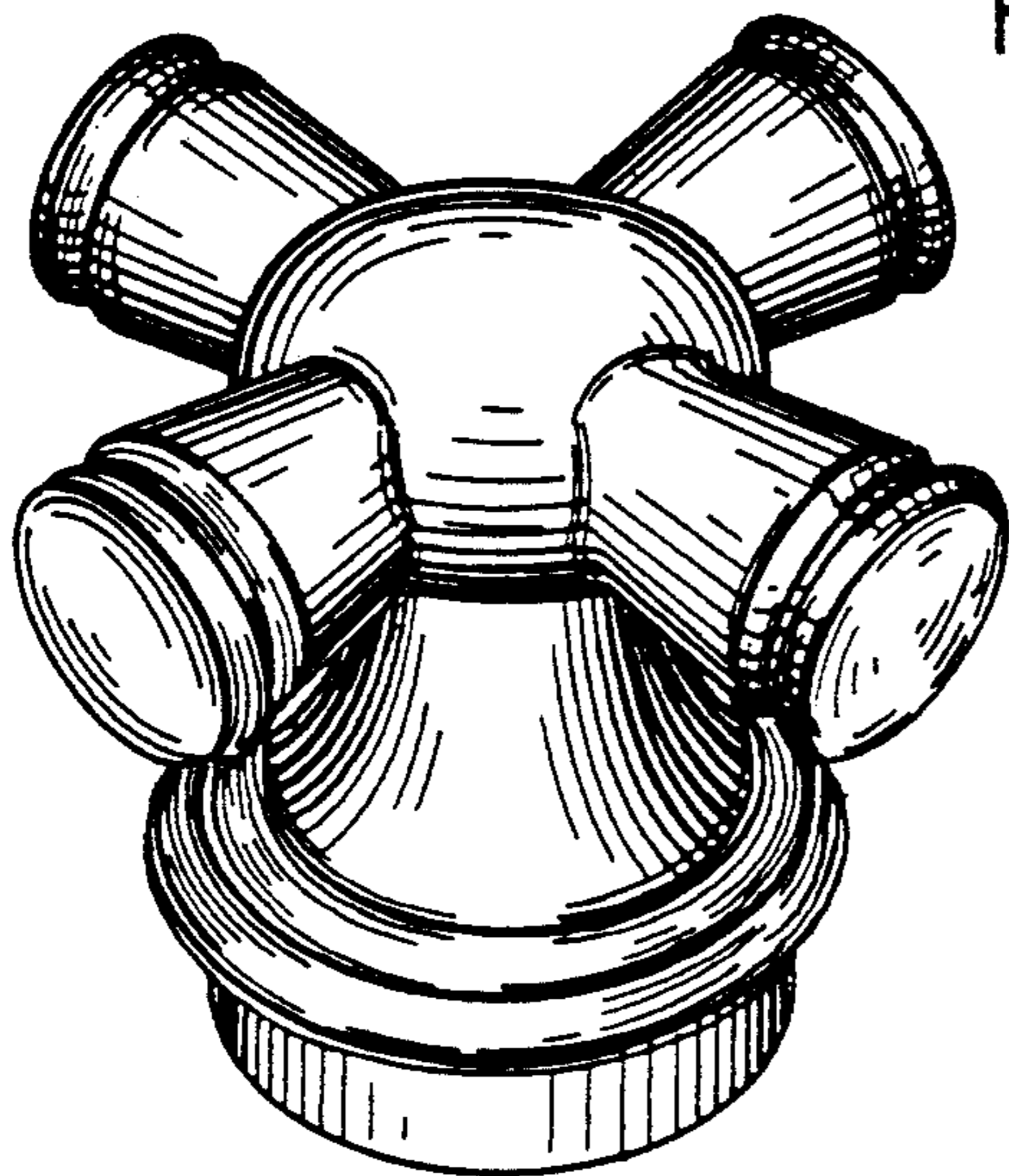
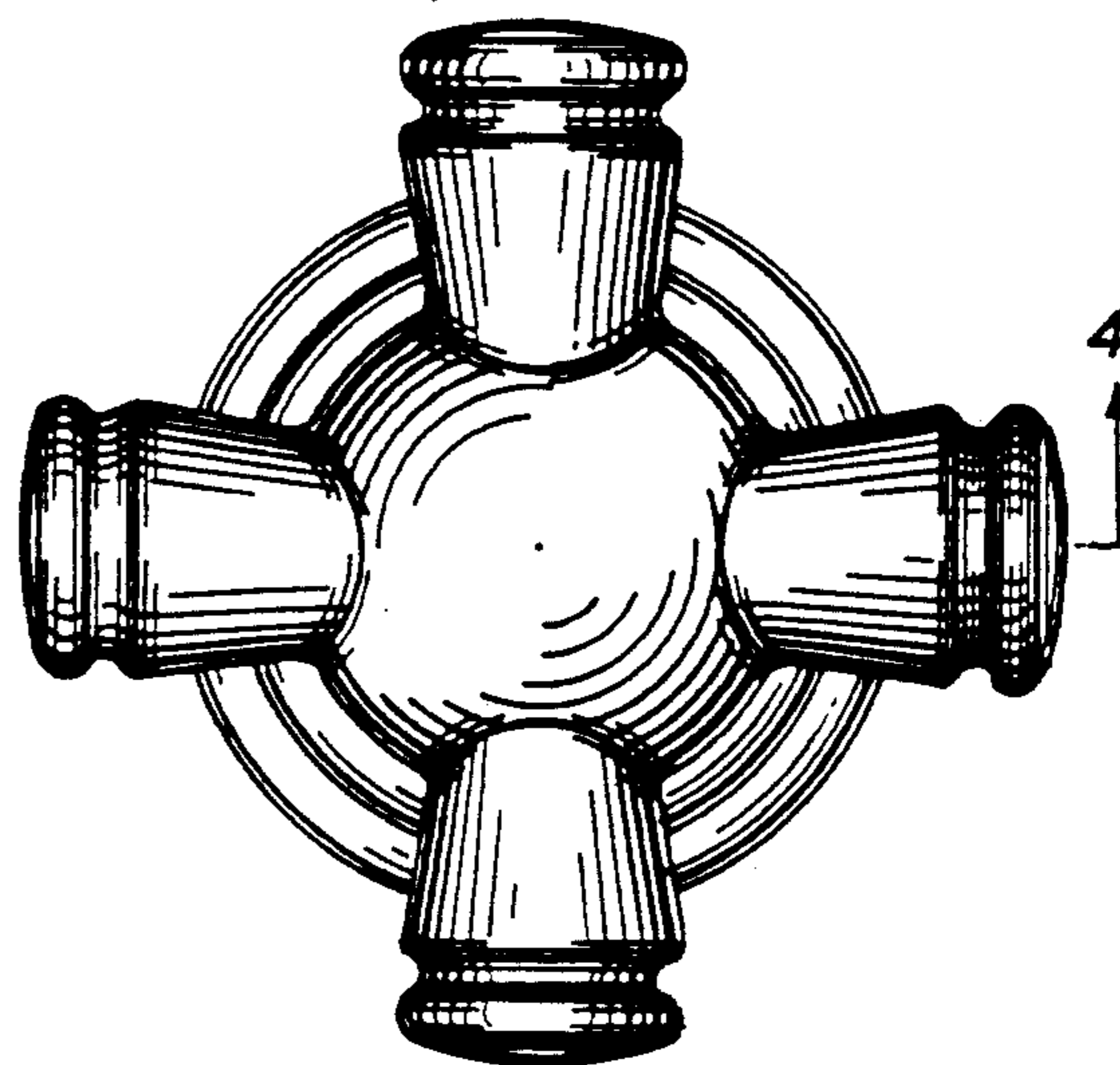


FIG. 1



4



4

FIG. 2

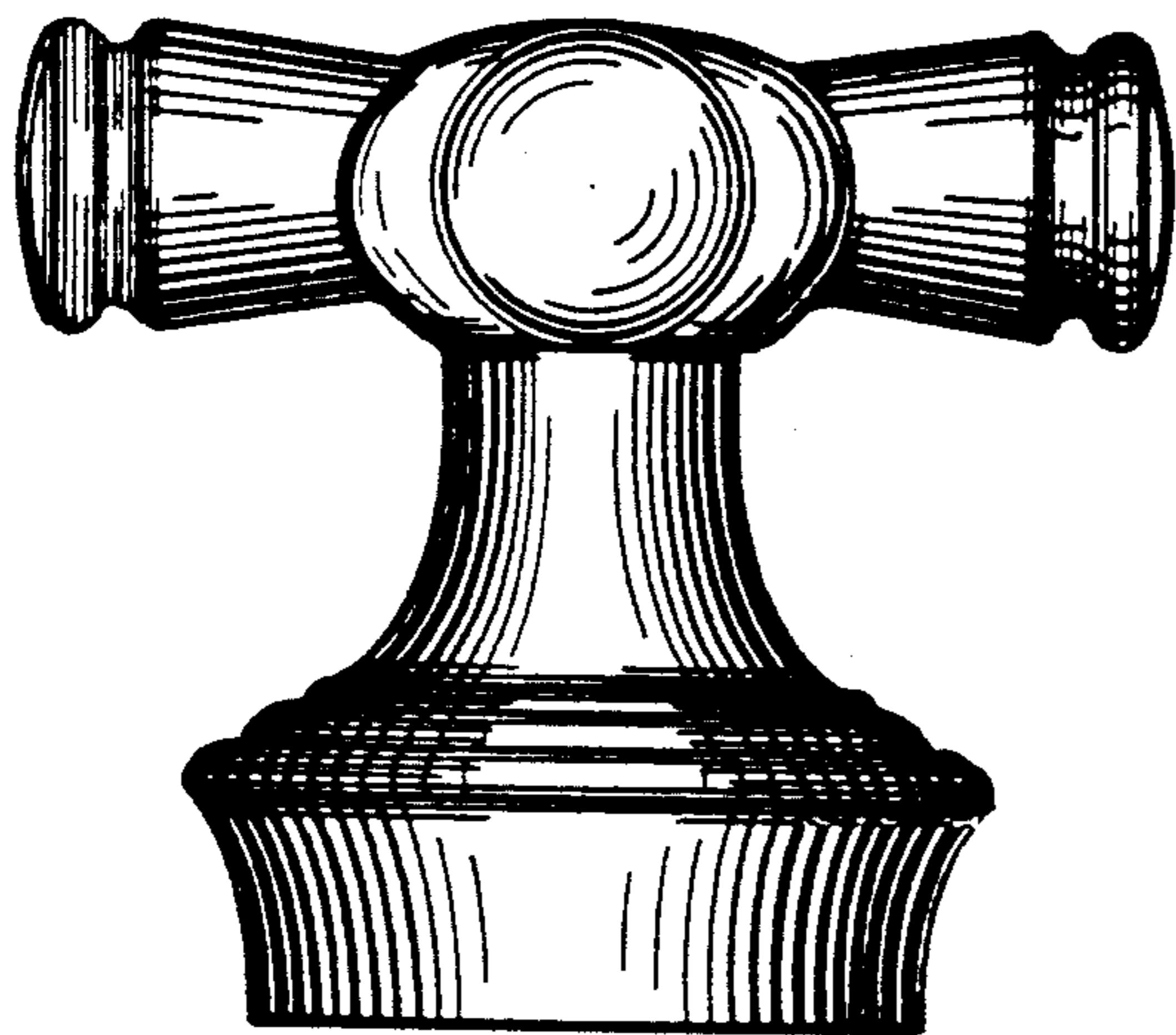


FIG. 3

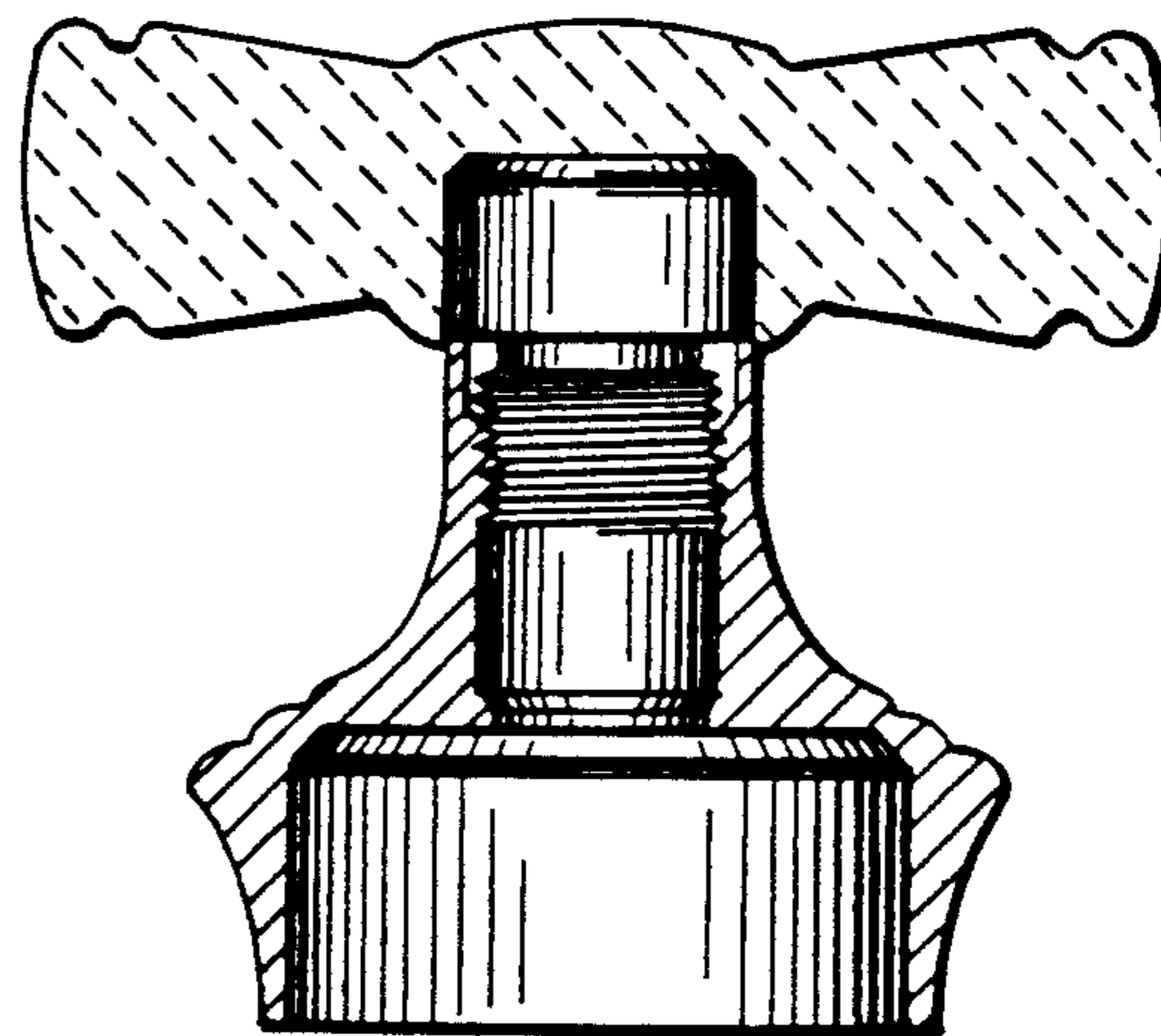


FIG. 4

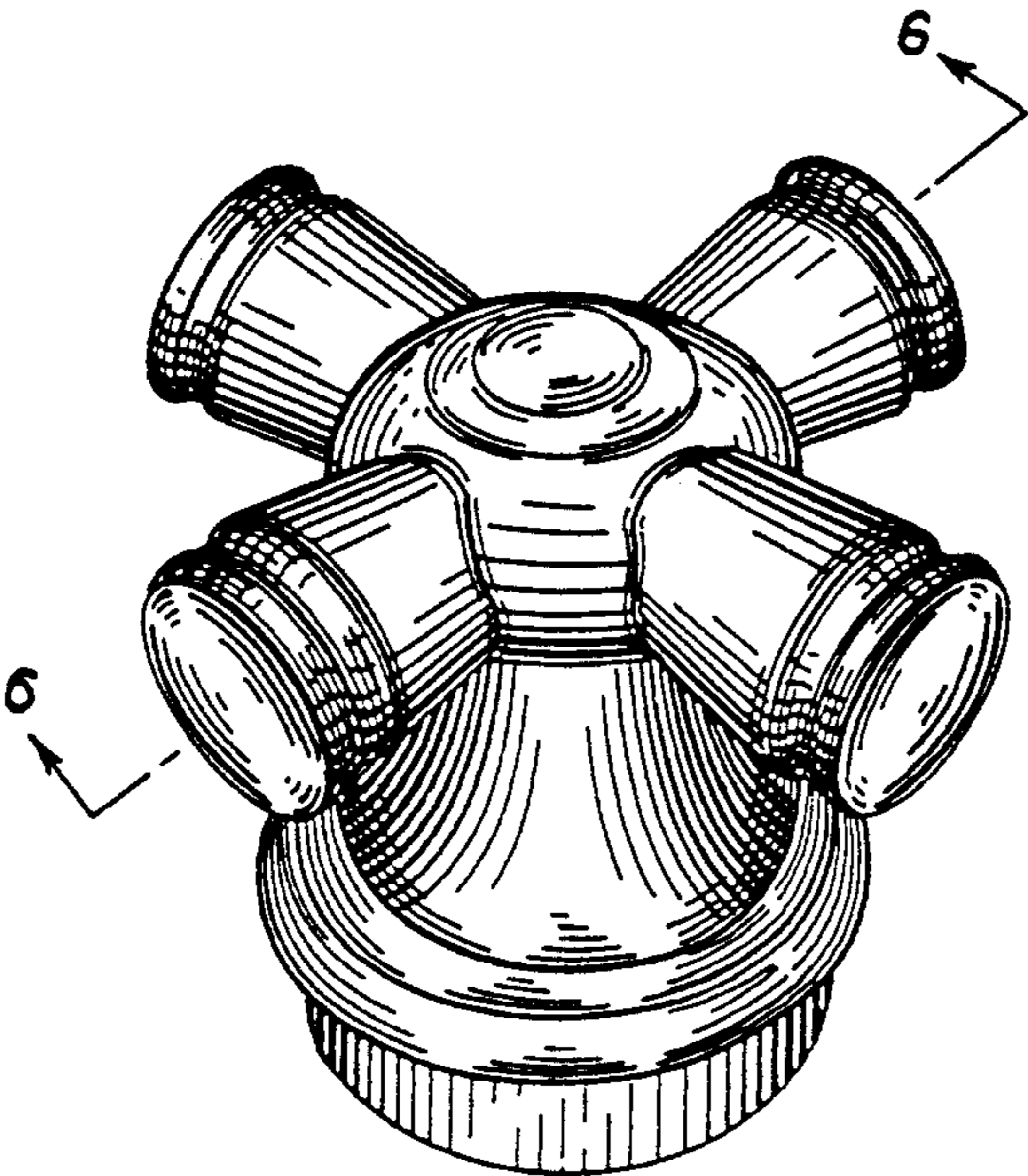


FIG. 5

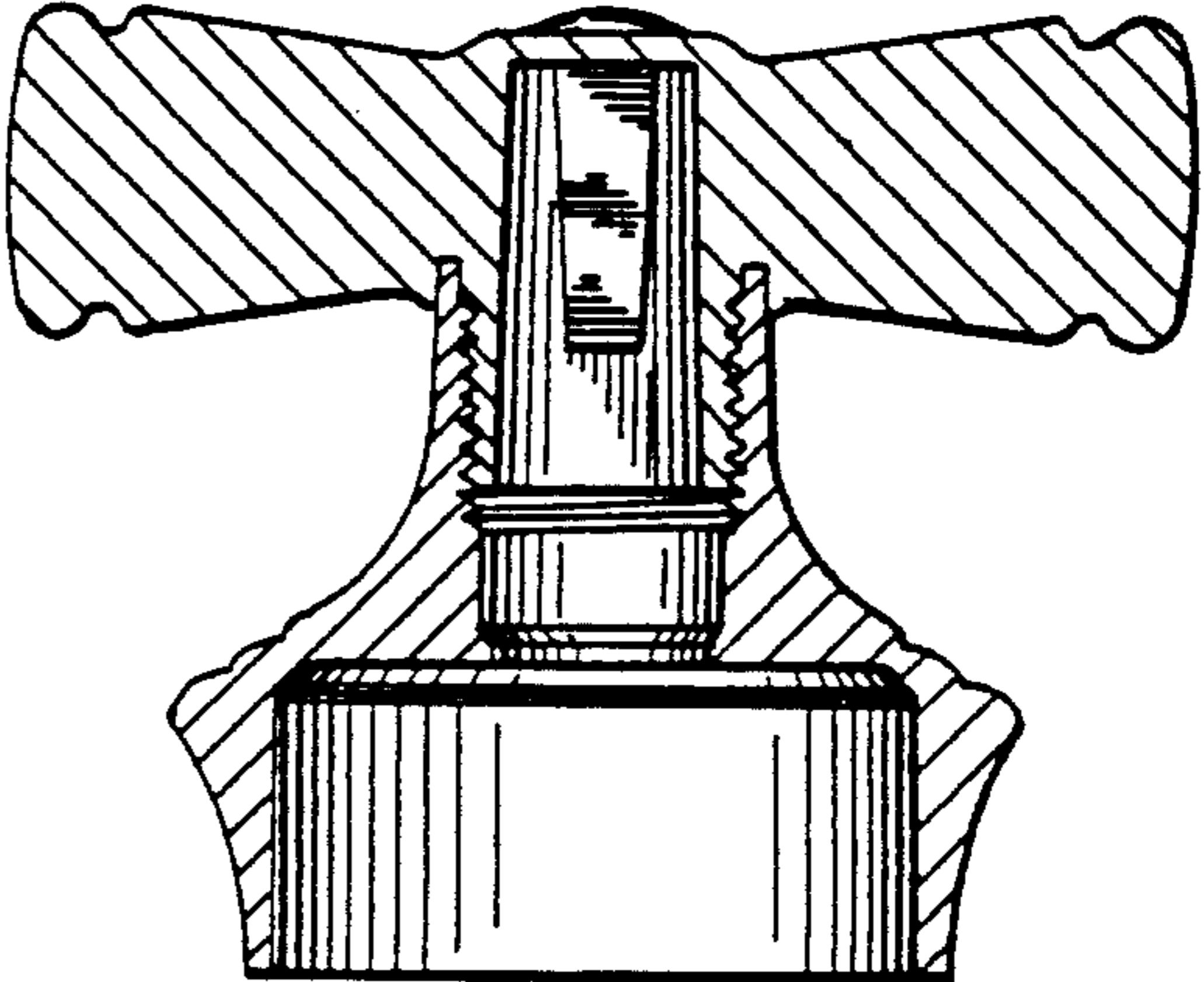


FIG. 6

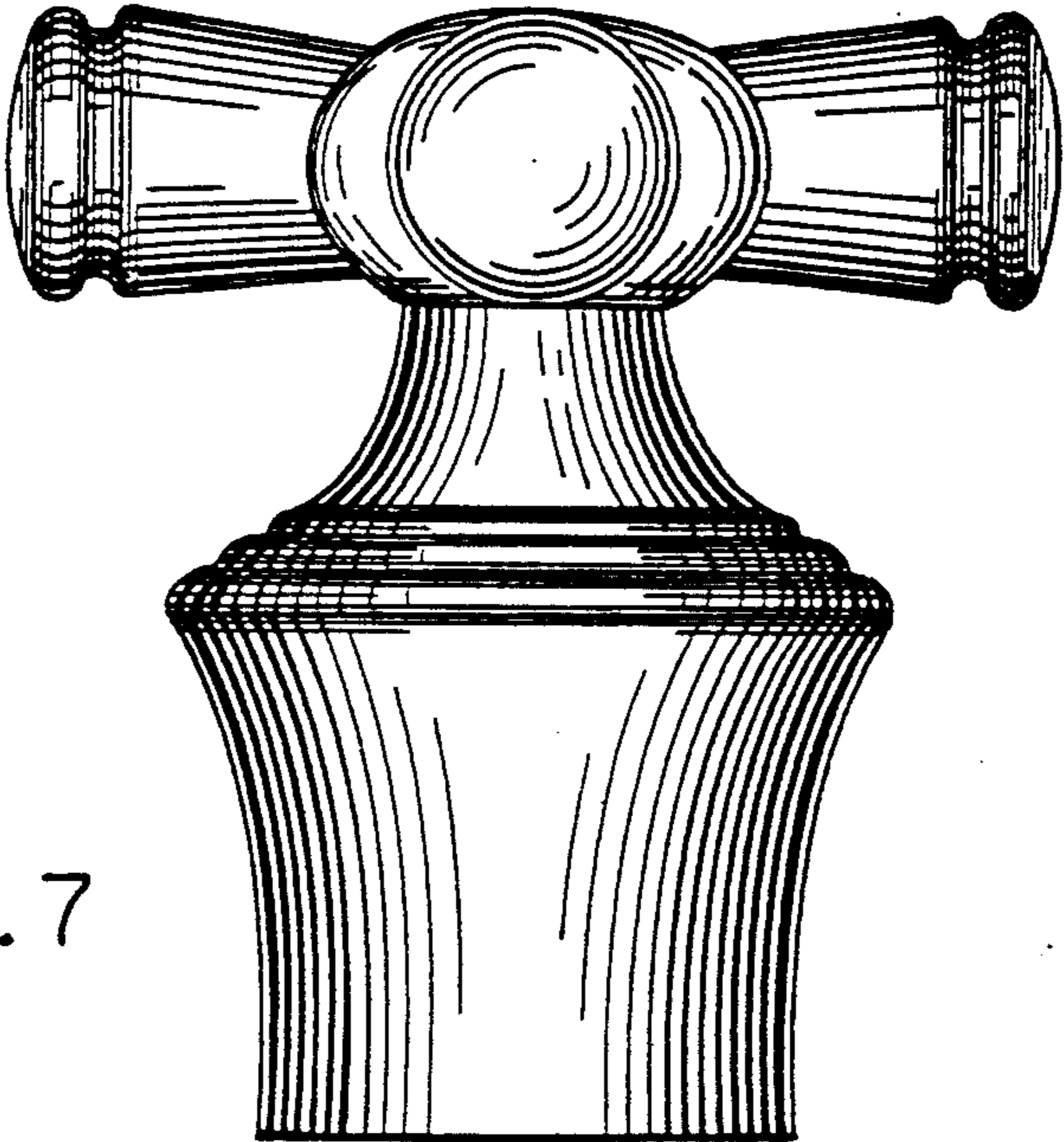


FIG. 7