



US00D340756S

United States Patent [19] Ma

[11] Patent Number: **Des. 340,756**

[45] Date of Patent: **** Oct. 26, 1993**

[54] TOY YO-YO

[56]

References Cited

U.S. PATENT DOCUMENTS

[76] Inventor: **Chak K. Ma**, Blk C & D, 6/FI., Kwai Bo Ind. Bldg., 40 Wong Chuk Hang Rd., Aberdeen, Hong Kong

D. 206,672	1/1967	Fullerton	D21/99
D. 290,912	7/1988	Holley	D21/99
3,953,936	4/1976	Ennis	446/250
4,207,701	6/1980	Kuhn	446/250

[**] Term: **14 Years**

Primary Examiner—Bernard Ansher
Assistant Examiner—Dominic Simone
Attorney, Agent, or Firm—Ostrager, Chong & Flaherty

[21] Appl. No.: **849,323**

[57] CLAIM

[22] Filed: **Mar. 9, 1992**

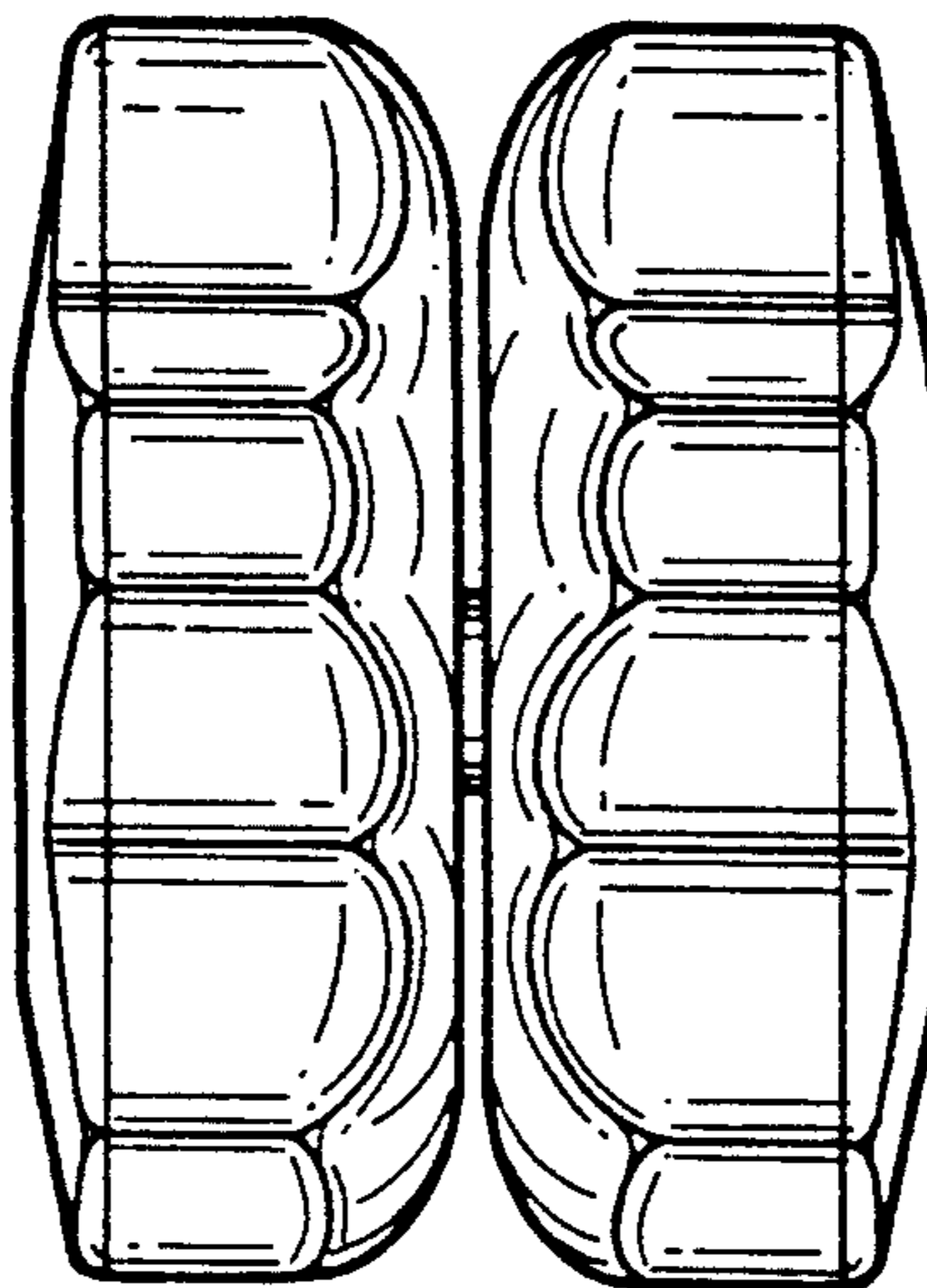
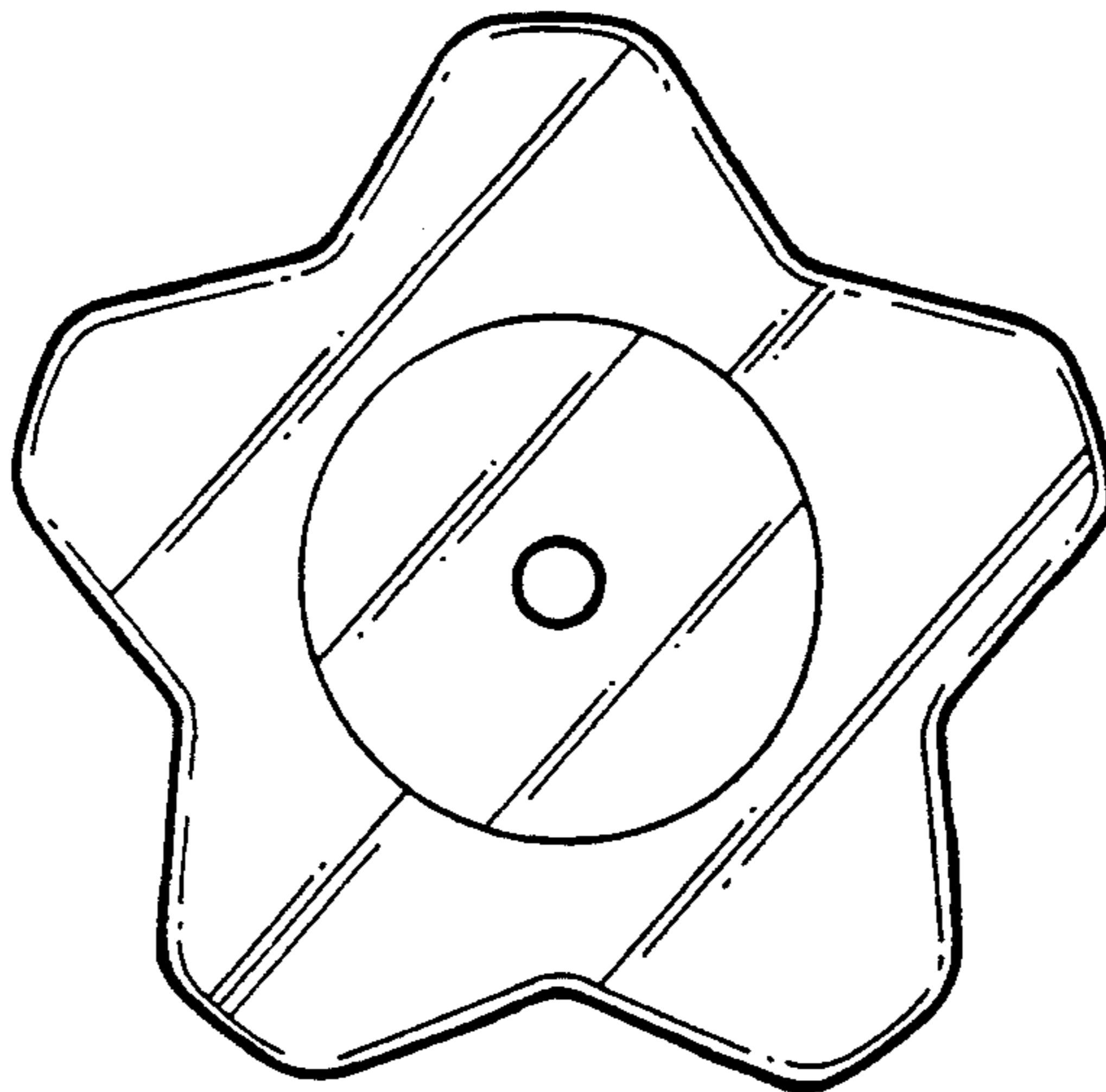
The ornamental design for a toy yo-yo, as shown and described.

[30] Foreign Application Priority Data

Oct. 23, 1991 [GB] United Kingdom 2018497
 [52] U.S. Cl. **D21/99**
 [58] Field of Search D21/92-99,
 D21/59; 446/256, 259, 260-263, 247, 250

DESCRIPTION

FIG. 1 is a front elevational view of a toy yo-yo showing my new design (rear elevational view corresponds); FIG. 2 is a right side elevational view thereof (left side corresponds); FIG. 3 is a top plan view thereof; and, FIG. 4 is a bottom plan view thereof.



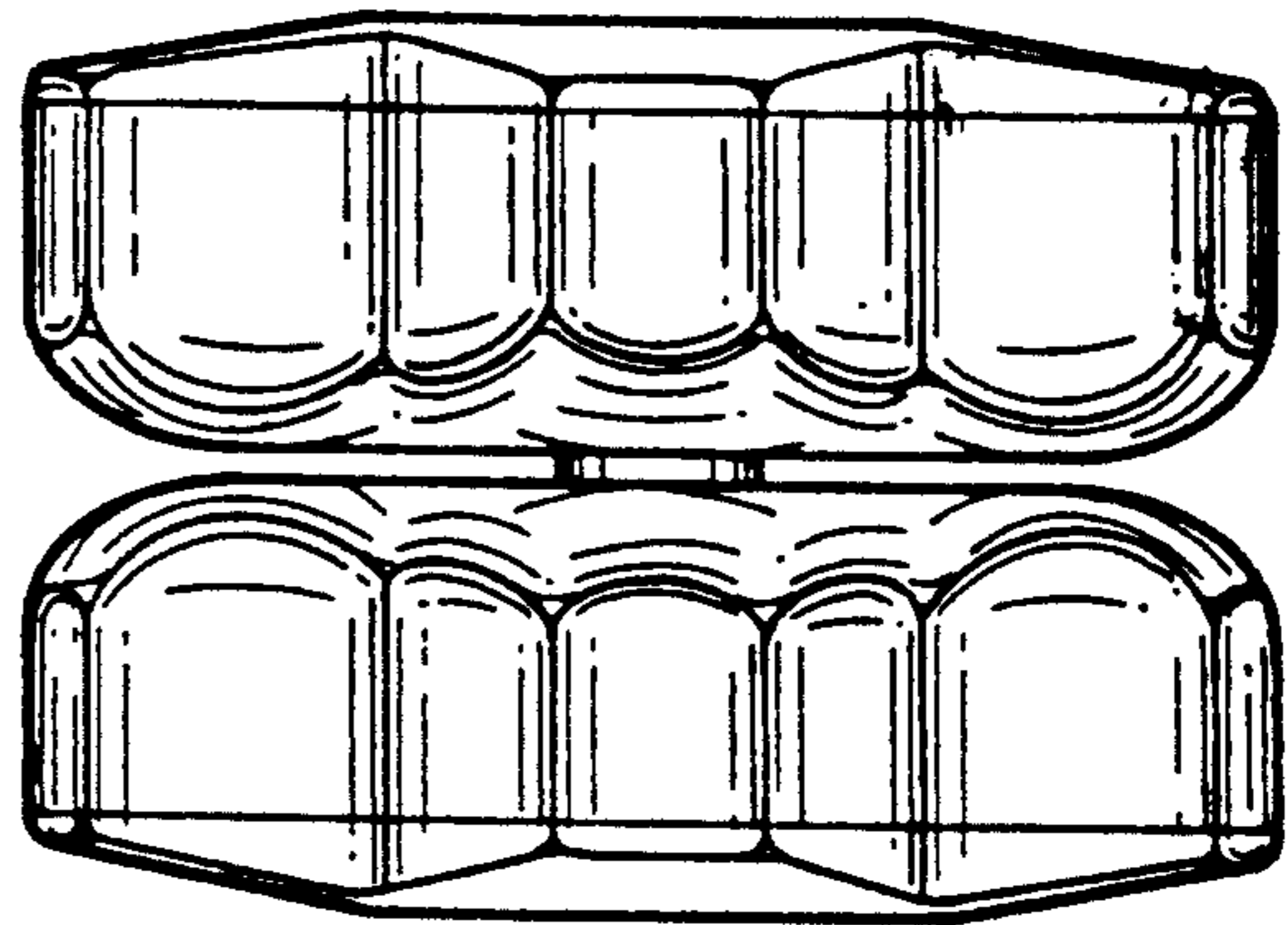


FIG. 3

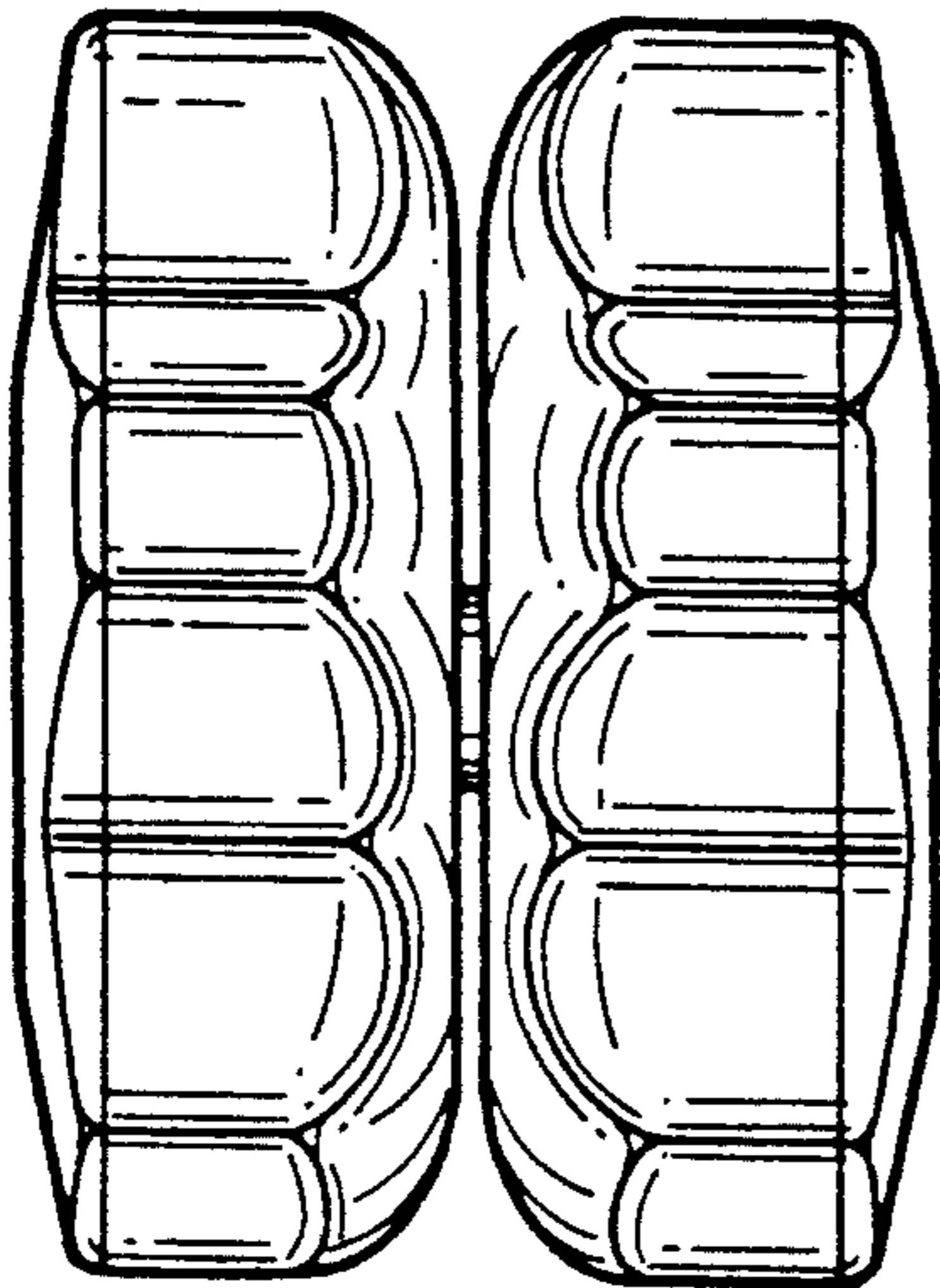


FIG. 2

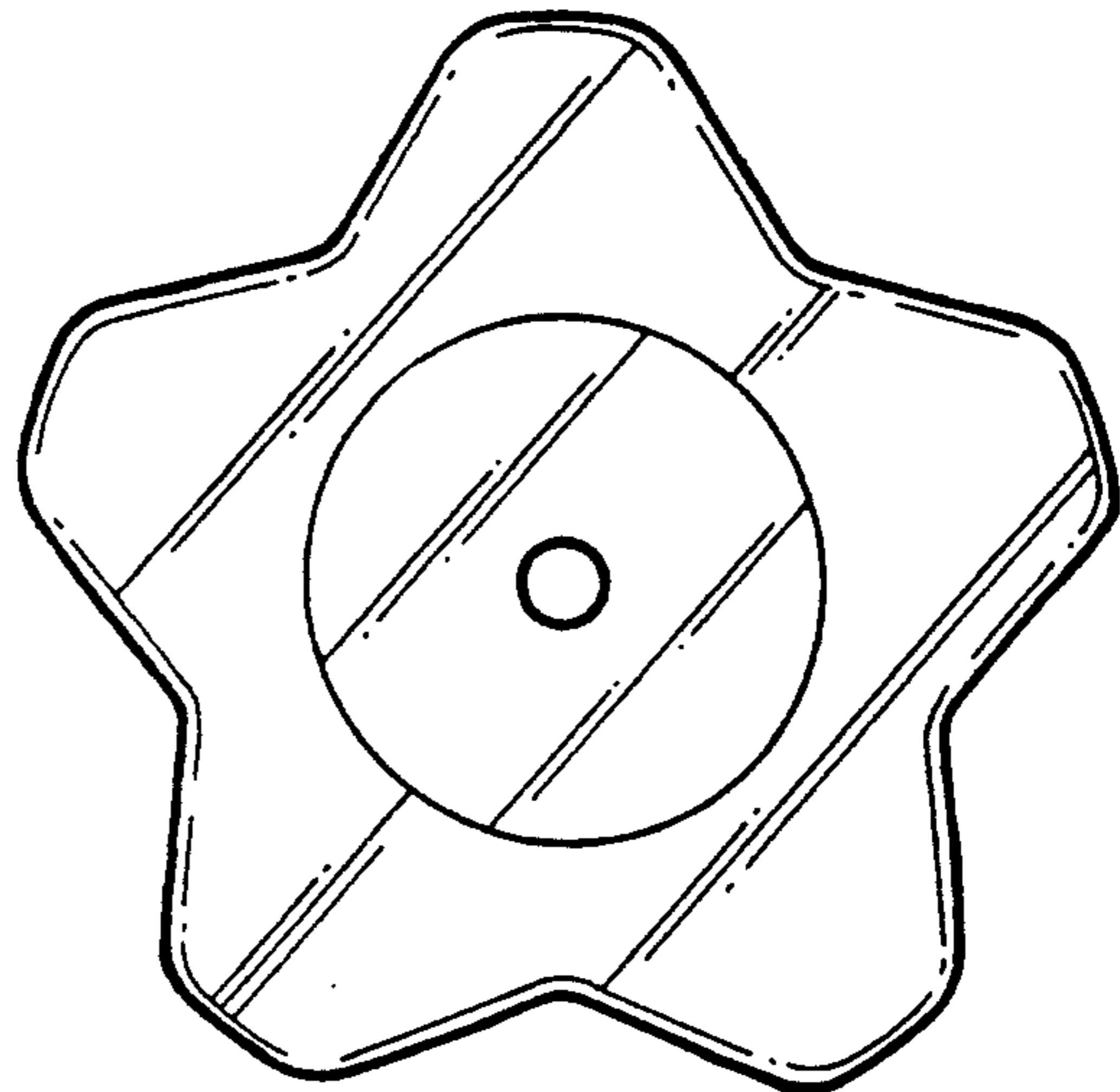


FIG. 1

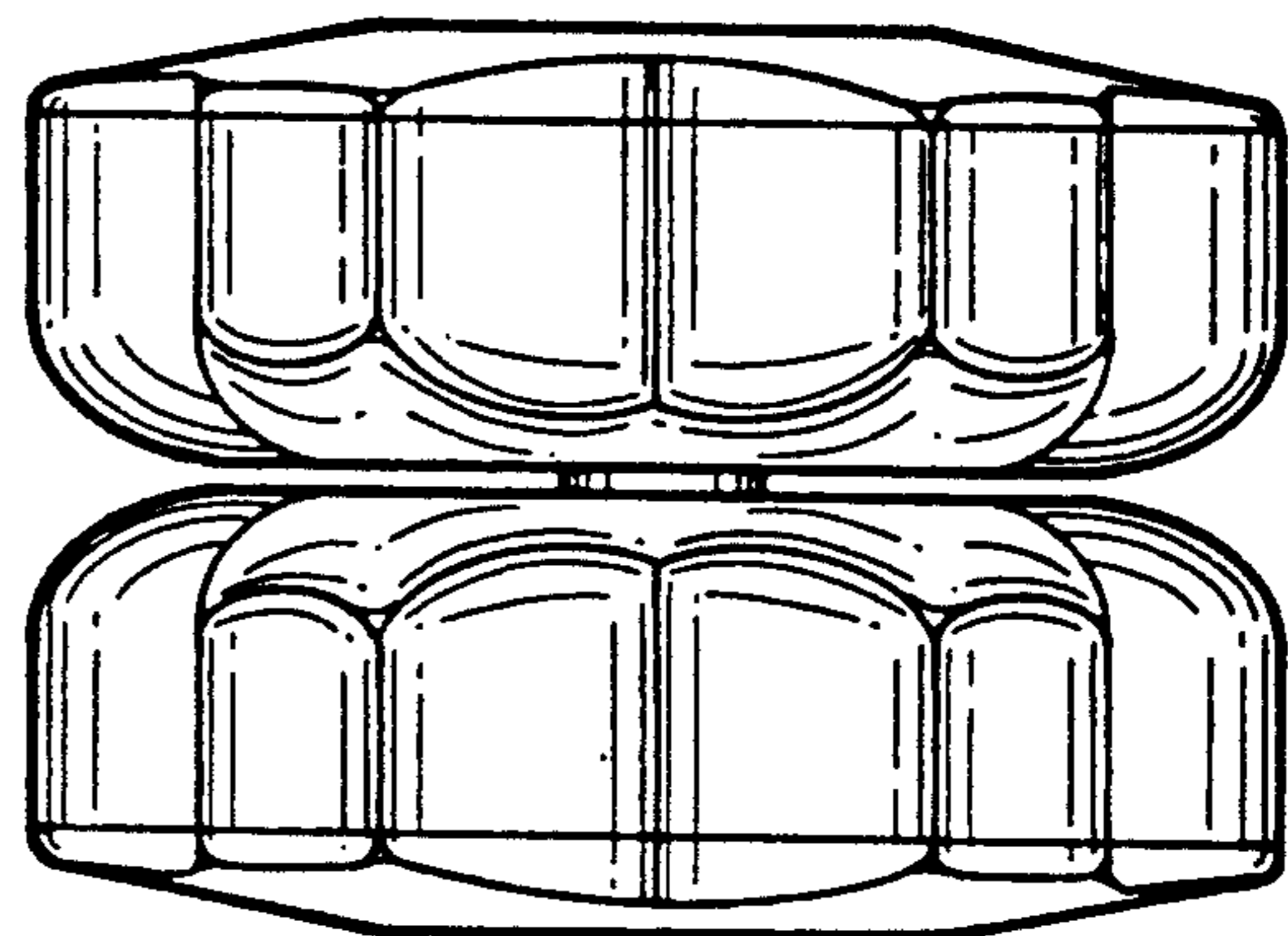


FIG. 4