



US00D340753S

United States Patent [19]

[11] Patent Number: **Des. 340,753**

Miesch

[45] Date of Patent: **** Oct. 26, 1993**

[54] **HEAD FOR GOLF PUTTER**

[75] Inventor: **Gary D. Miesch, Gowen, Mich.**

[73] Assignee: **Diversified Metal Inc., Grand Rapids, Mich.**

[**] Term: **14 Years**

[21] Appl. No.: **779,409**

[22] Filed: **Oct. 18, 1991**

[52] U.S. Cl. **D21/219**

[58] Field of Search **D21/214-220; 273/164.1, 167-175**

[56] **References Cited**

U.S. PATENT DOCUMENTS

- D. 307,617 5/1990 Boone D21/219
- D. 325,949 5/1992 Harris, Jr. D21/219
- 4,174,108 11/1979 Reinholz 273/168
- 4,569,523 2/1986 Jarvis 273/164.1

OTHER PUBLICATIONS

Golf Digest, Dec., 1986, p. 32, lower left, golf club head.

Golf World, Jan. 11, 1991, p. 46, lower left, golf club head.

Primary Examiner—Melvin B. Feifer

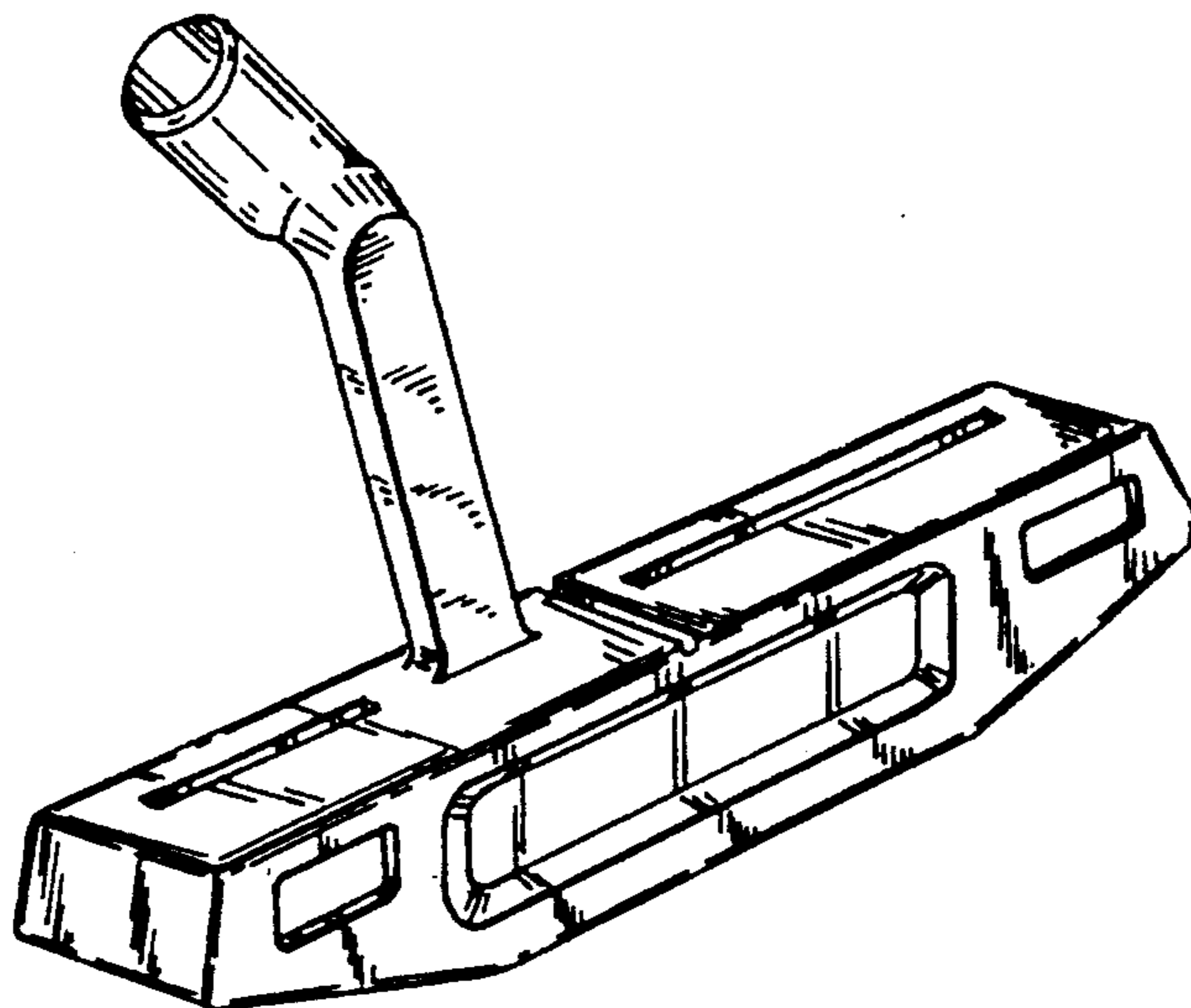
Attorney, Agent, or Firm—Price, Heneveld, Cooper, DeWitt & Litton

[57] **CLAIM**

The ornamental design for a head for golf putter, as shown and described.

DESCRIPTION

FIG. 1 is a front perspective view of a head for a golf putter showing my new design;
 FIG. 2 is a rear perspective view thereof;
 FIG. 3 is a front elevational view thereof;
 FIG. 4 is a rear elevational view thereof;
 FIG. 5 is a bottom view thereof;
 FIG. 6 is a top view thereof;
 FIG. 7 is a rear elevational view thereof; and,
 FIG. 8 is a front elevational view thereof.



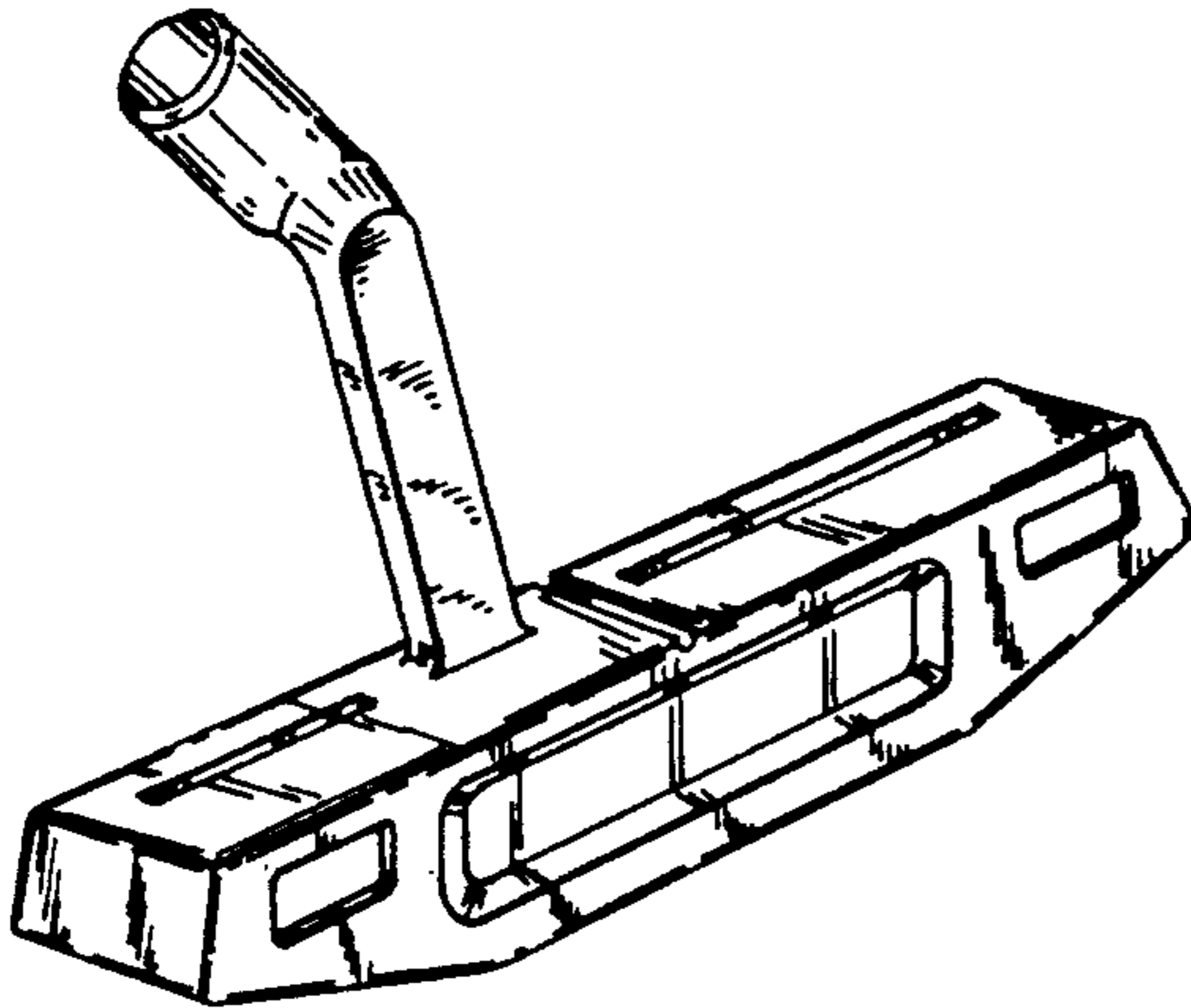


FIG. 2

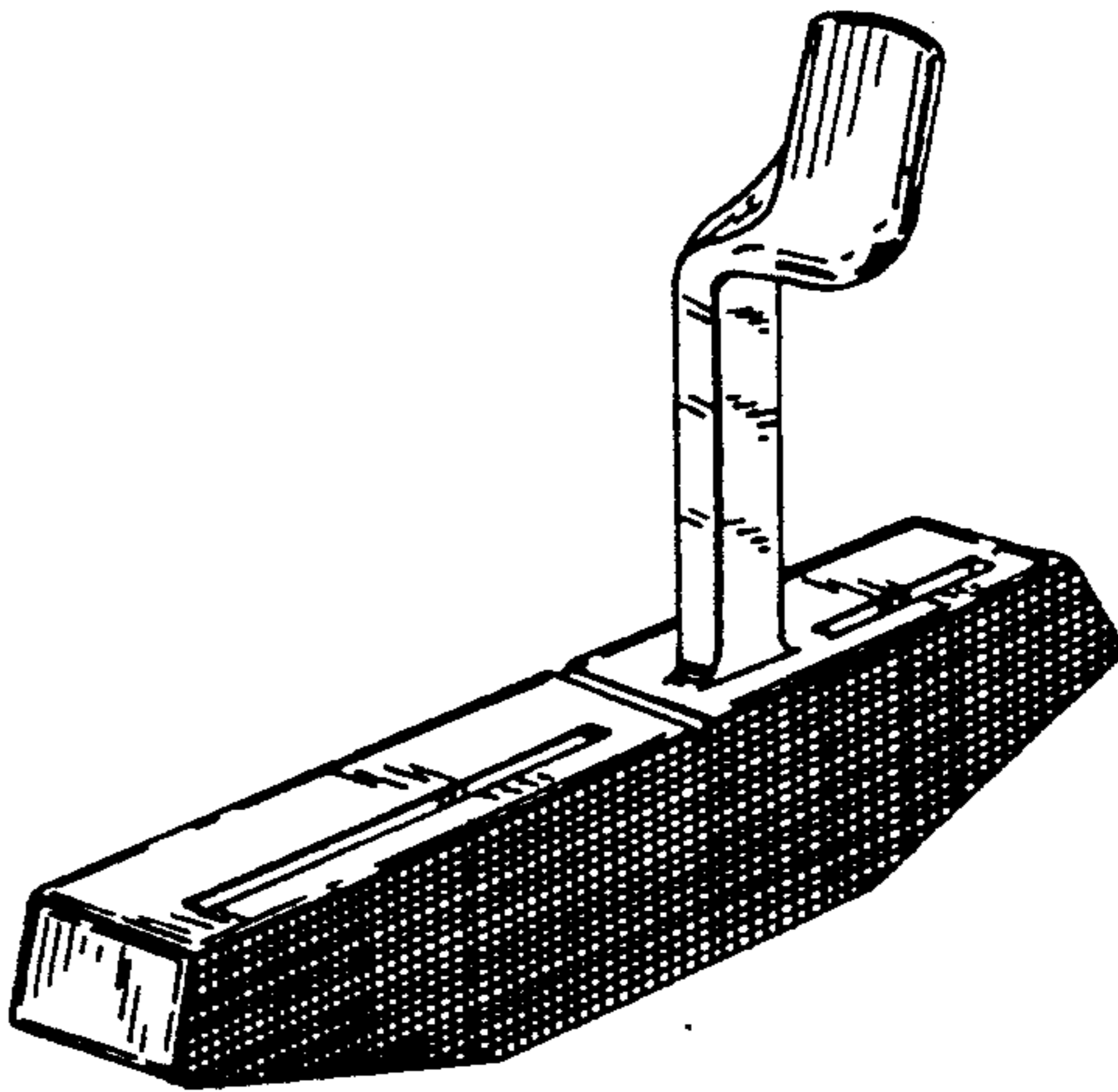


FIG. 1

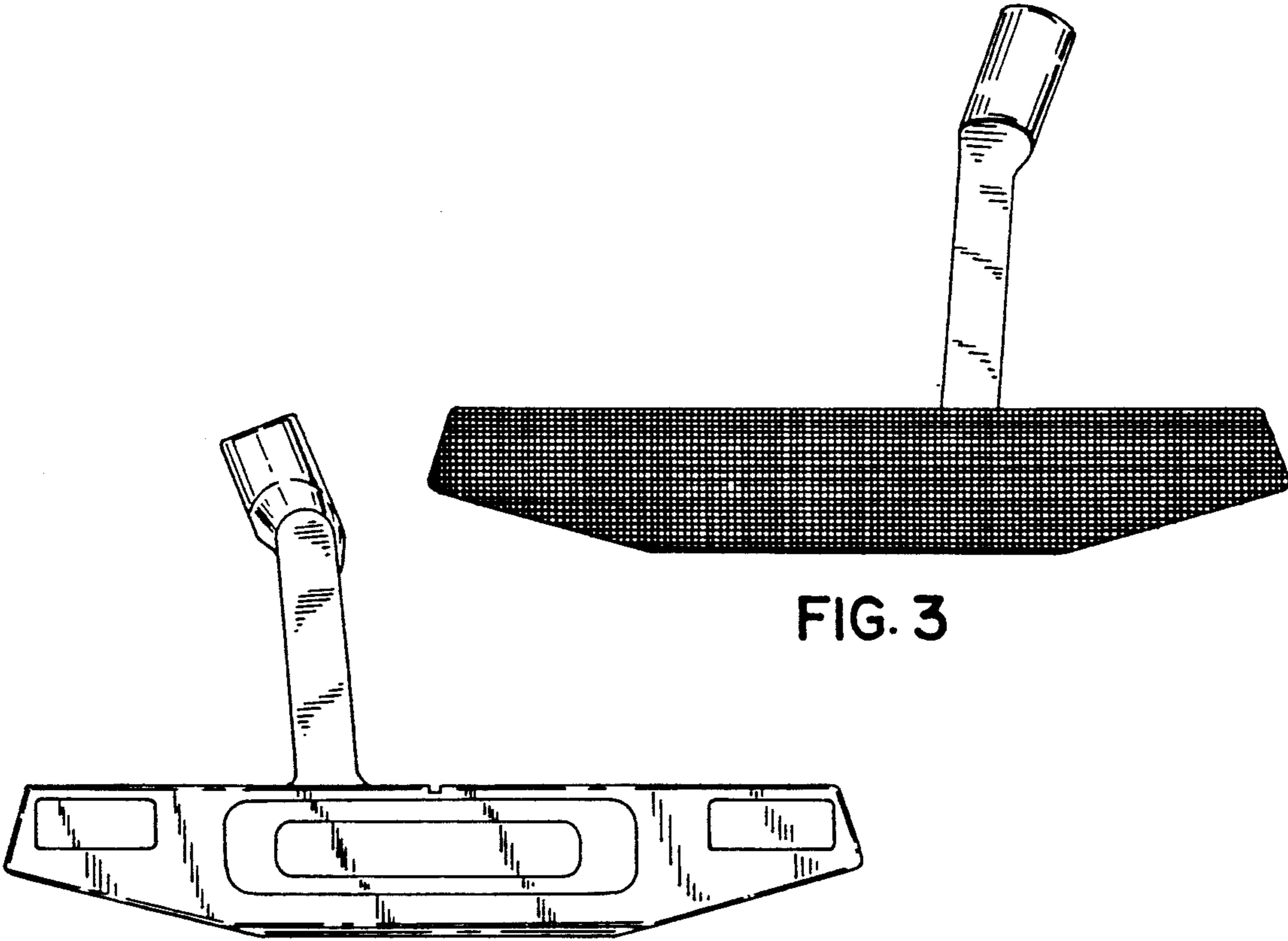


FIG. 3

FIG. 4

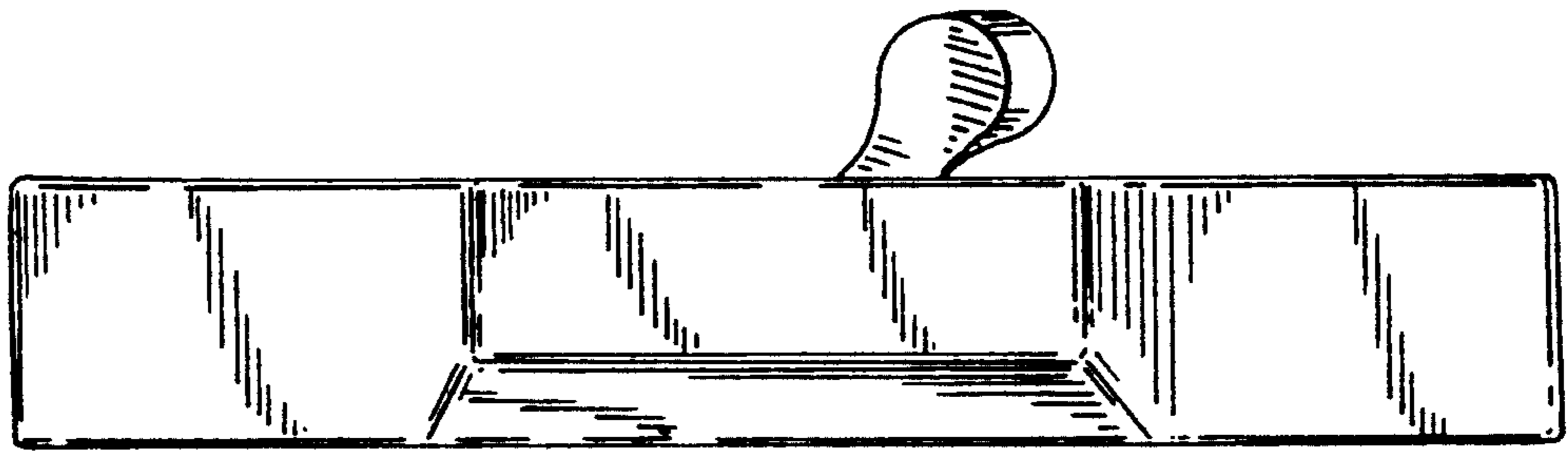


FIG. 5

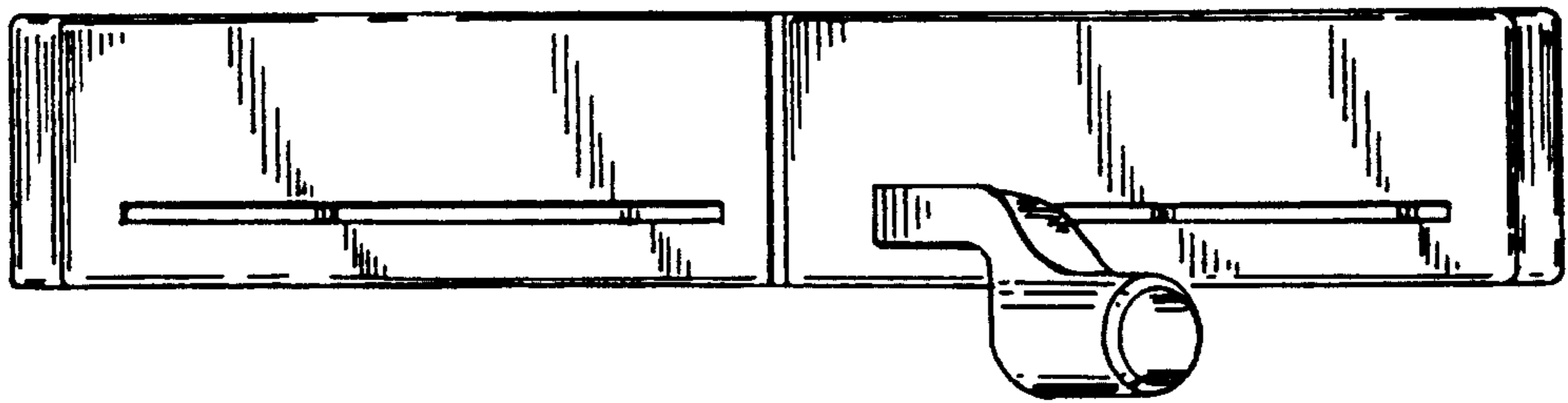


FIG. 6

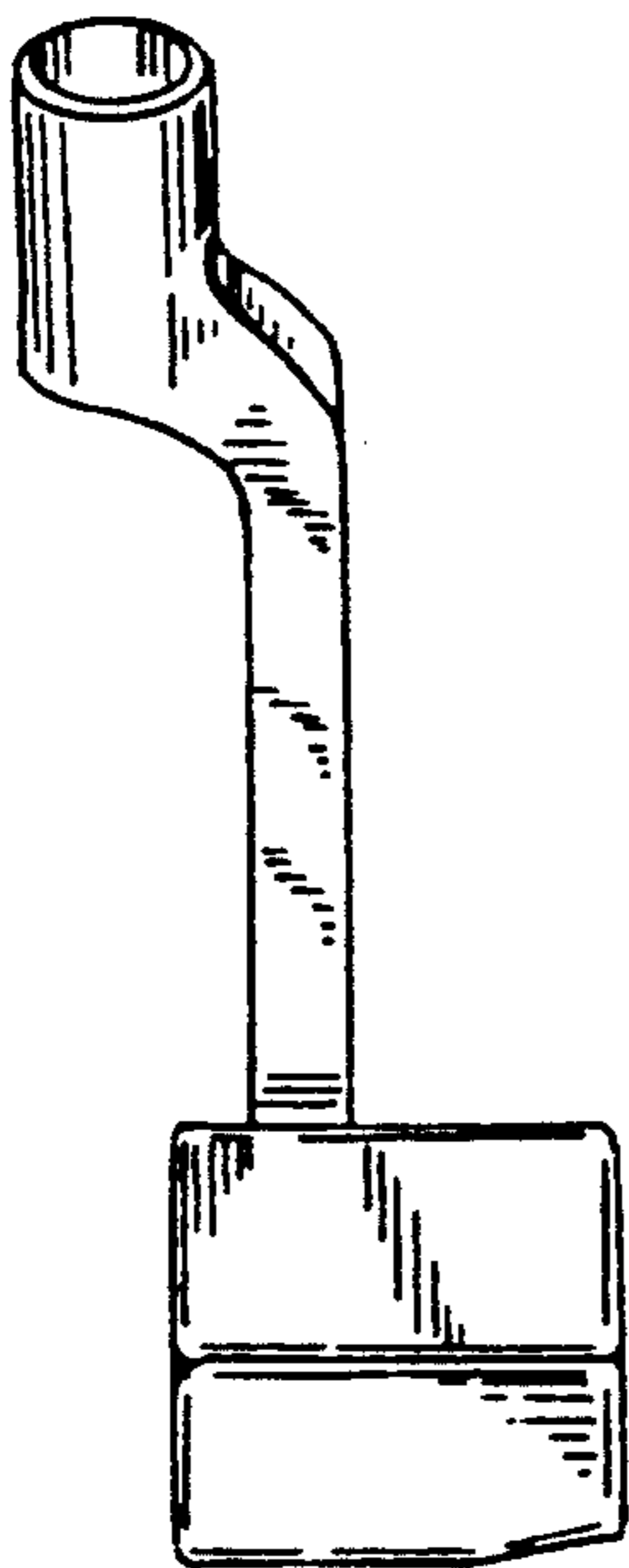


FIG. 7

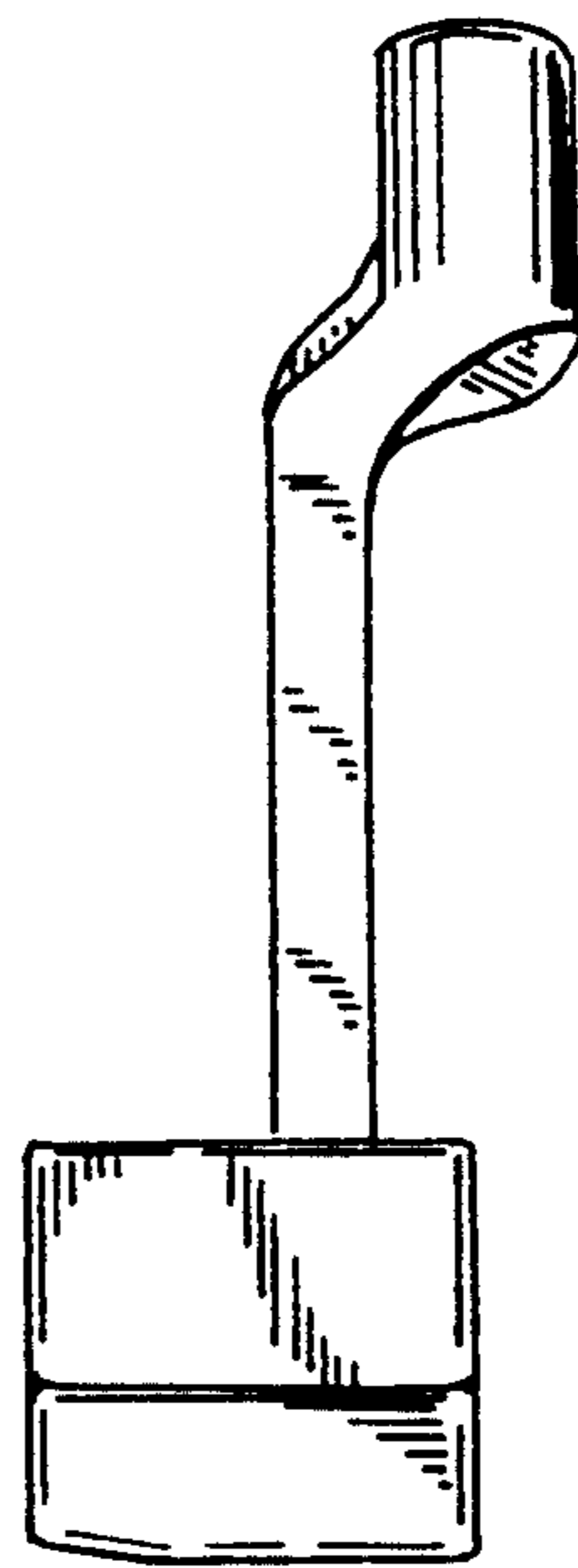


FIG. 8