



US00D340752S

# United States Patent [19]

Flynn et al.

[11] Patent Number: **Des. 340,752**

[45] Date of Patent: **\*\* Oct. 26, 1993**

[54] **STICK FOR THROWING A BALL**

[76] Inventors: **Stephen N. Flynn**, 43A Elm Road, East Sheen, London SW14 7JL;  
**Neville Larcombe**, 12 Hill Close, Pershore, Nr. Worcester WR10 1JJ, both of England

[\*\*] Term: **14 Years**

[21] Appl. No.: **820,130**

[22] Filed: **Jan. 9, 1992**

[30] **Foreign Application Priority Data**

Jul. 9, 1991 [GB] United Kingdom ..... 2015872

[52] U.S. Cl. .... **D21/210**

[58] Field of Search ..... D21/92, 200, 210;  
124/5; 273/67 R, 317-318

[56] **References Cited**

### U.S. PATENT DOCUMENTS

D. 246,006 10/1977 Burr et al. .... D21/210 X

3,003,766 10/1961 Stanton ..... D21/210 X

3,052,226 9/1962 Woll ..... D21/210 X

### FOREIGN PATENT DOCUMENTS

2542206 9/1984 France .

1391255 4/1975 United Kingdom .

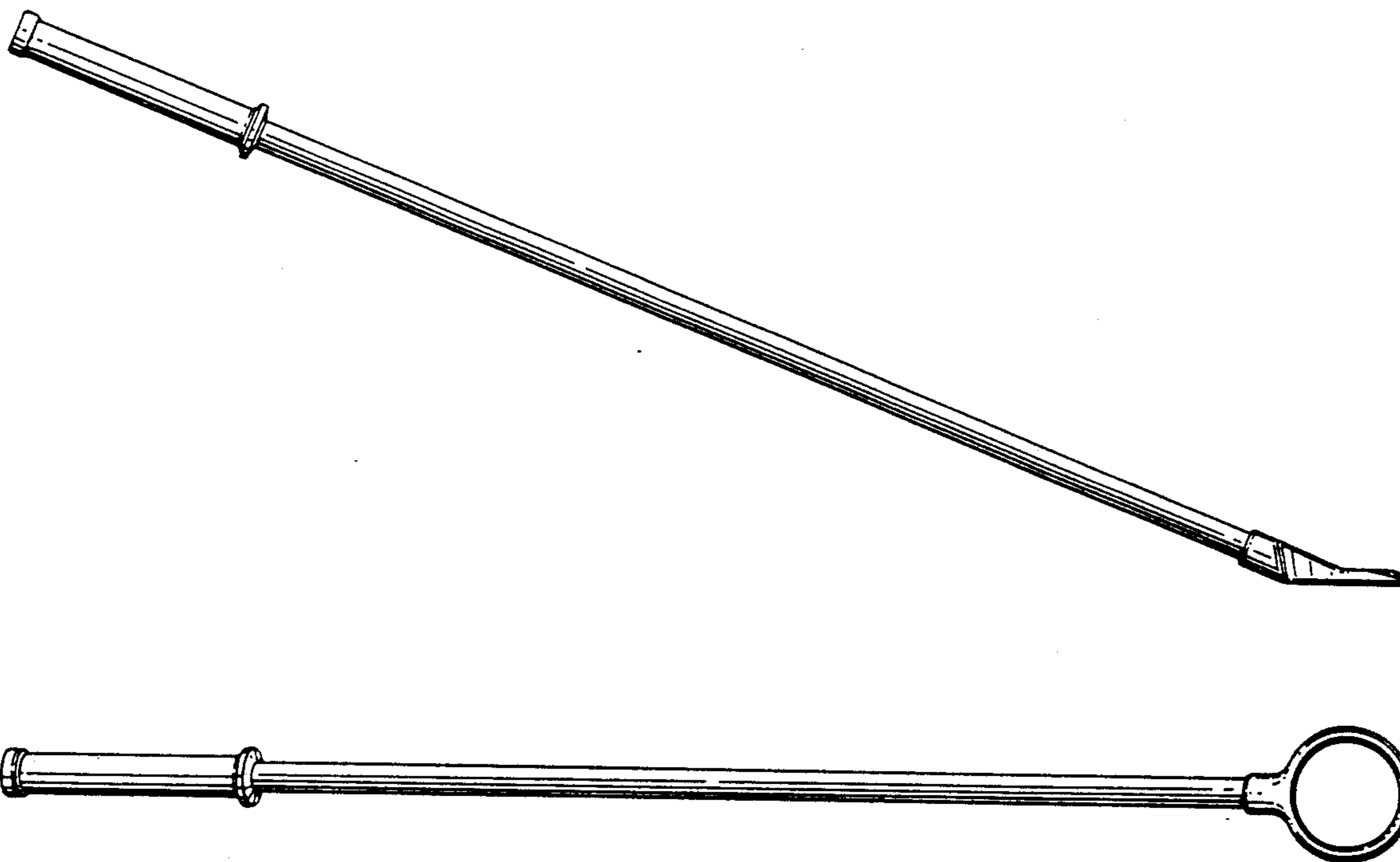
*Primary Examiner*—Terry A. Pfeffer  
*Attorney, Agent, or Firm*—Cushman, Darby & Cushman

### [57] CLAIM

The ornamental design for a stick for throwing a ball, as shown and described.

### DESCRIPTION

FIG. 1 is a side elevational view of the stick for throwing a ball showing our new design;  
FIG. 2 is a top plan view thereof;  
FIG. 3 is a front elevational view thereof;  
FIG. 4 is a rear elevational view thereof;  
FIG. 5 is an enlarged partial perspective view thereof; and,  
FIG. 6 is a sectional view thereof taken along line 6—6 of FIG. 3.



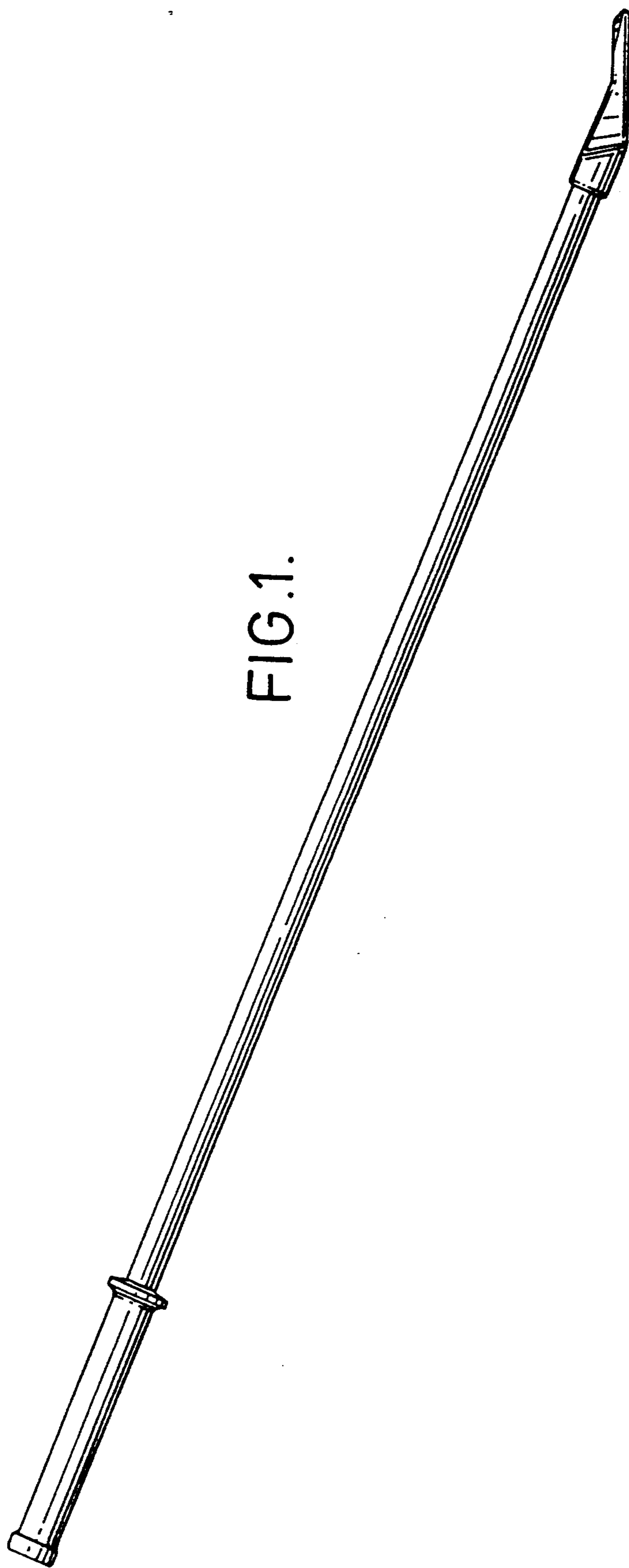
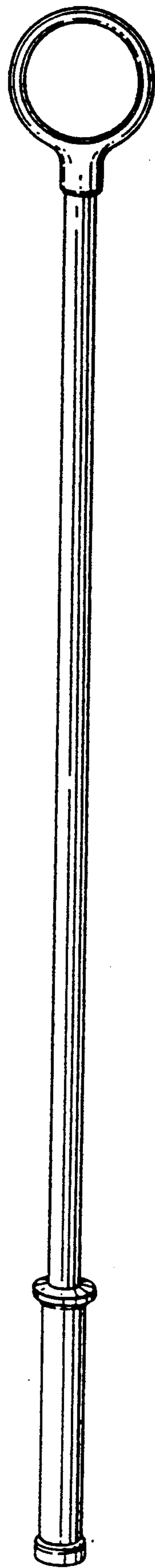


FIG. 1.

FIG. 2.



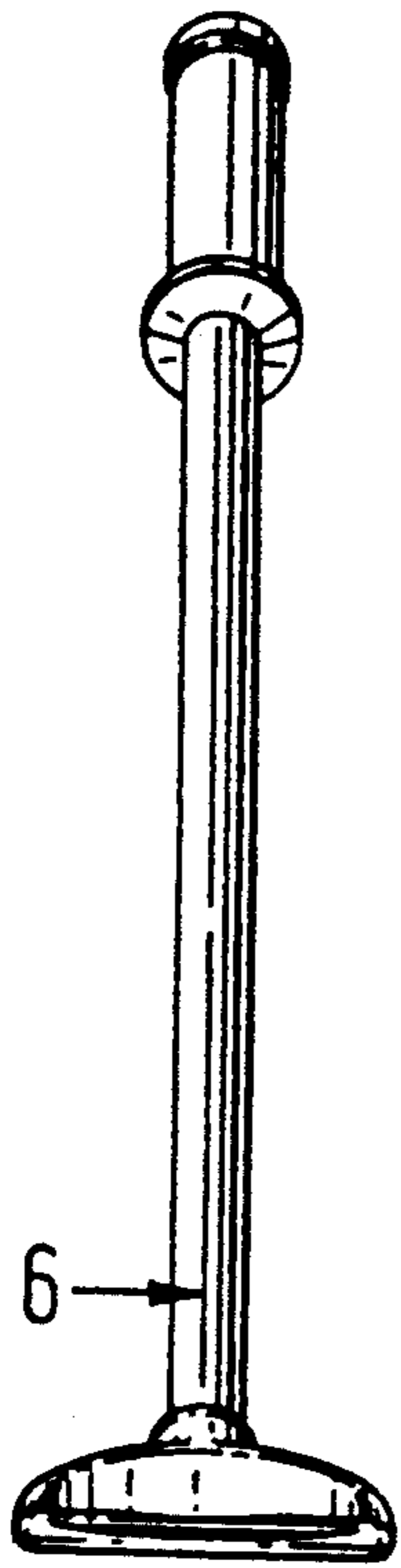


FIG. 3.

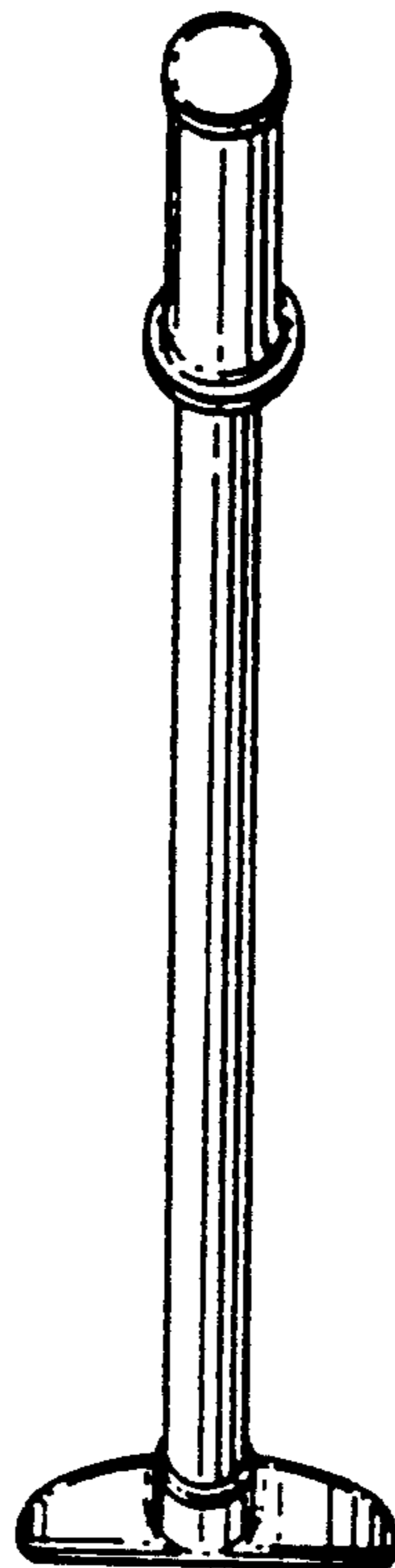


FIG. 4.

FIG. 5.

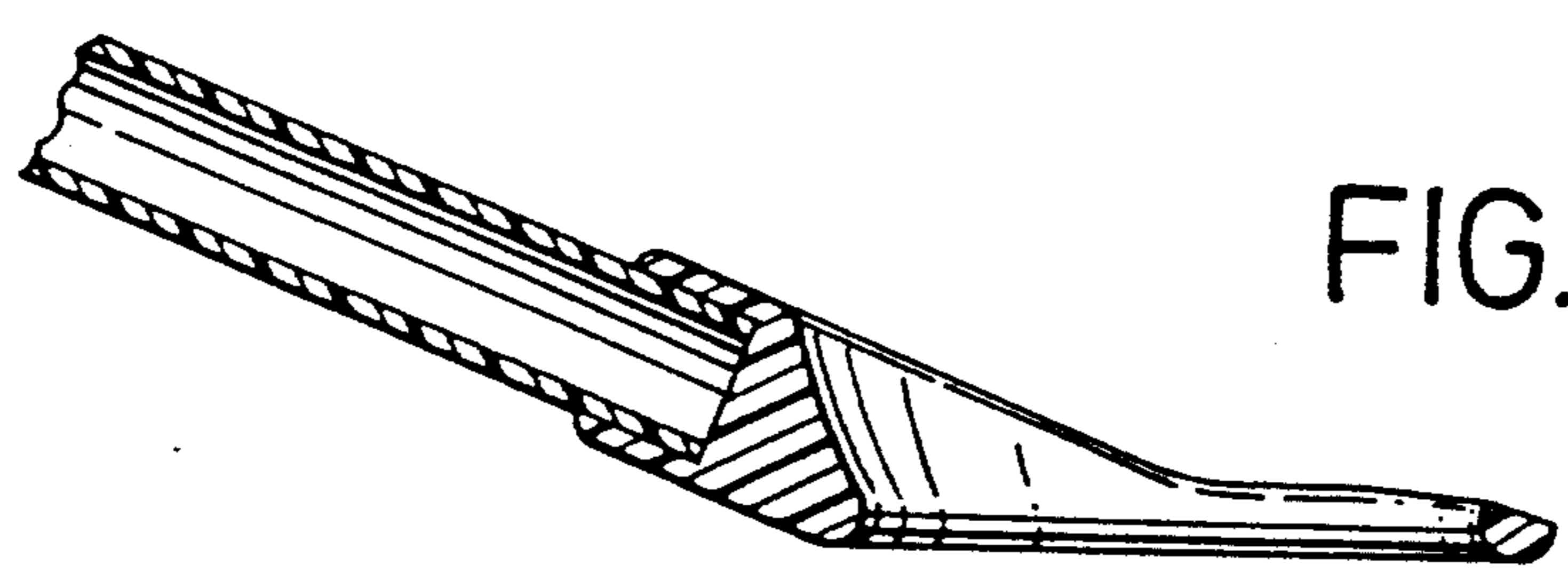
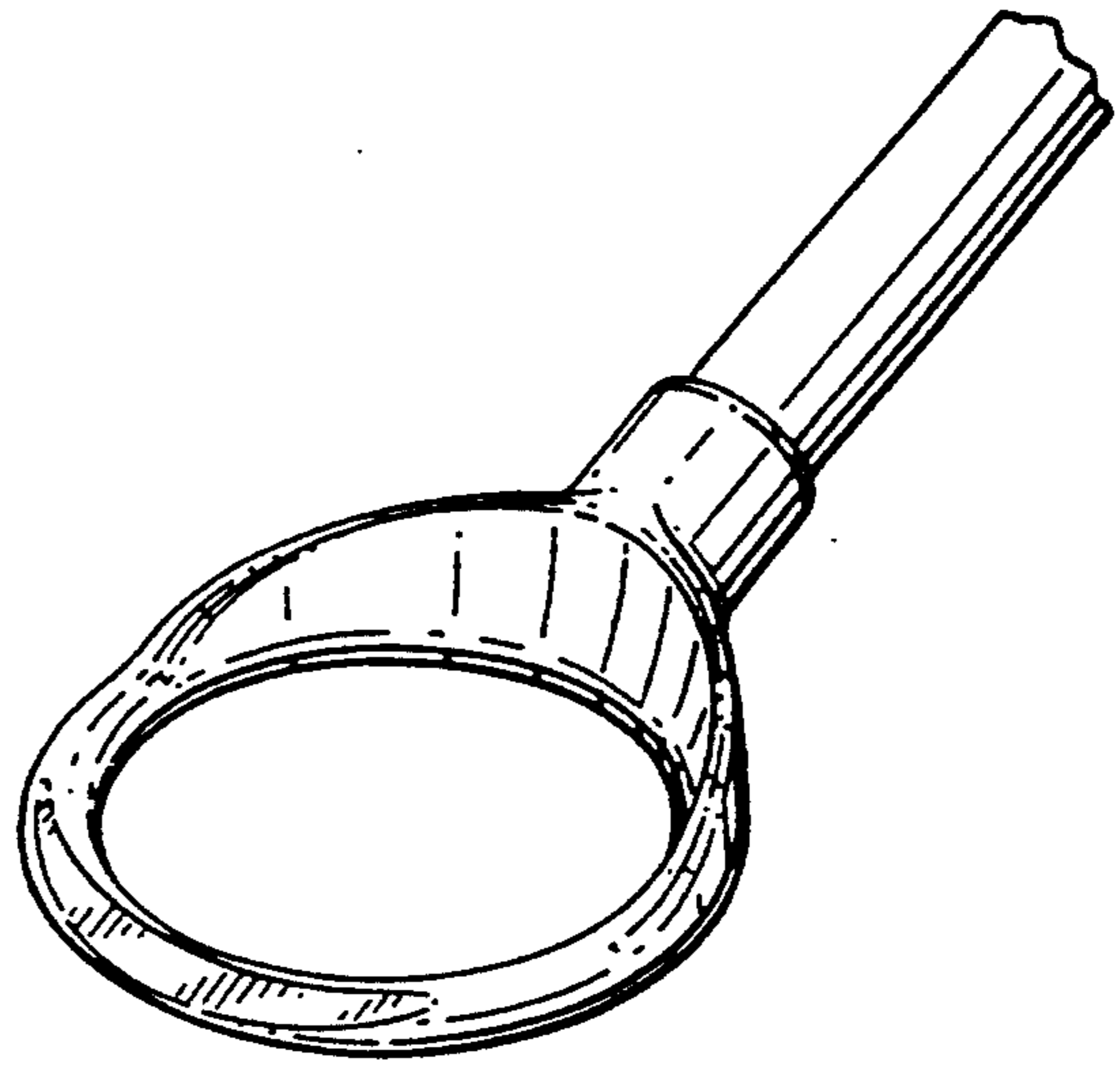


FIG. 6.