



US00D340749S

United States Patent [19]

[11] Patent Number: **Des. 340,749**

Lyman

[45] Date of Patent: **** Oct. 26, 1993**

- [54] **SWIVEL INTERCONNECTING TOY BUILDING BLOCKS**
- [75] Inventor: **Ronald L. Lyman, Folsom, Calif.**
- [73] Assignee: **Fantasy Toys, Inc., St. Helena, Calif.**
- [**] Term: **14 Years**
- [21] Appl. No.: **825,720**
- [22] Filed: **Jan. 27, 1992**
- [52] U.S. Cl. **D21/108**
- [58] Field of Search **D21/108; D25/126; 446/105, 114, 125, 128, 231; 273/424, 425**

Primary Examiner—Bernard Ansher
Assistant Examiner—R. Barkai
Attorney, Agent, or Firm—Harris Zimmerman

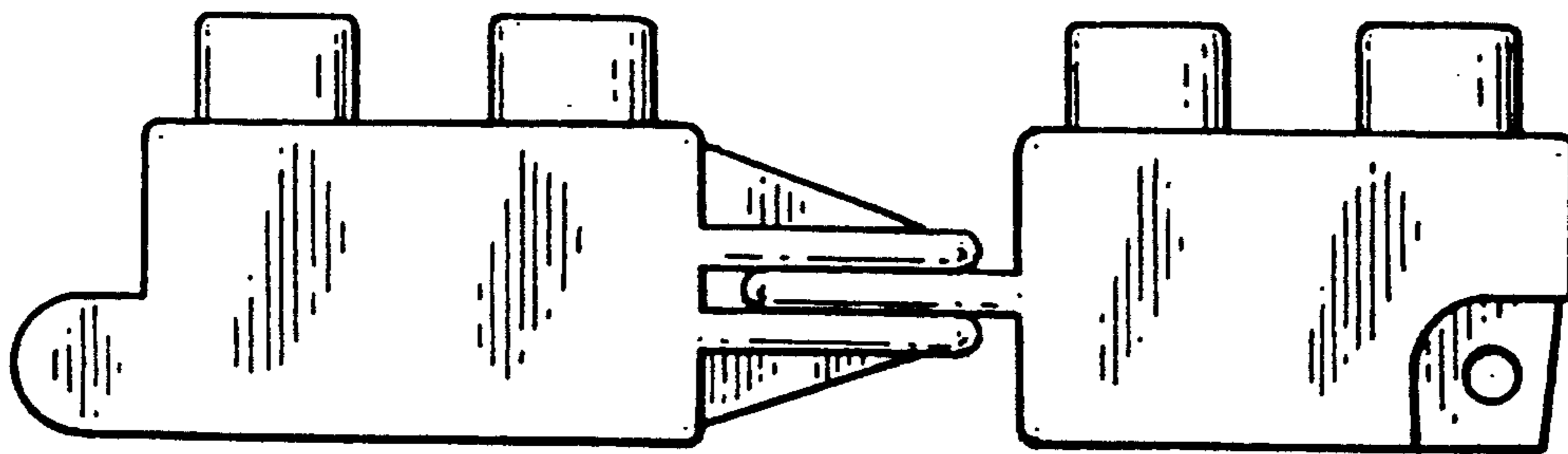
[57] CLAIM

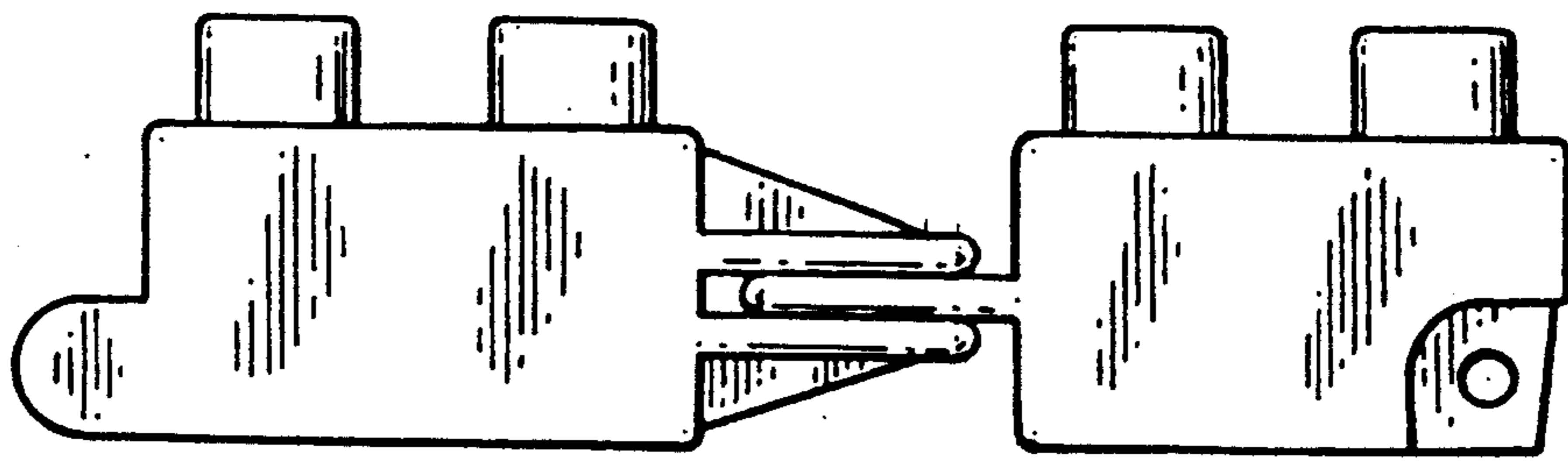
The ornamental design for a swivel interconnecting toy building blocks, as shown and described.

DESCRIPTION

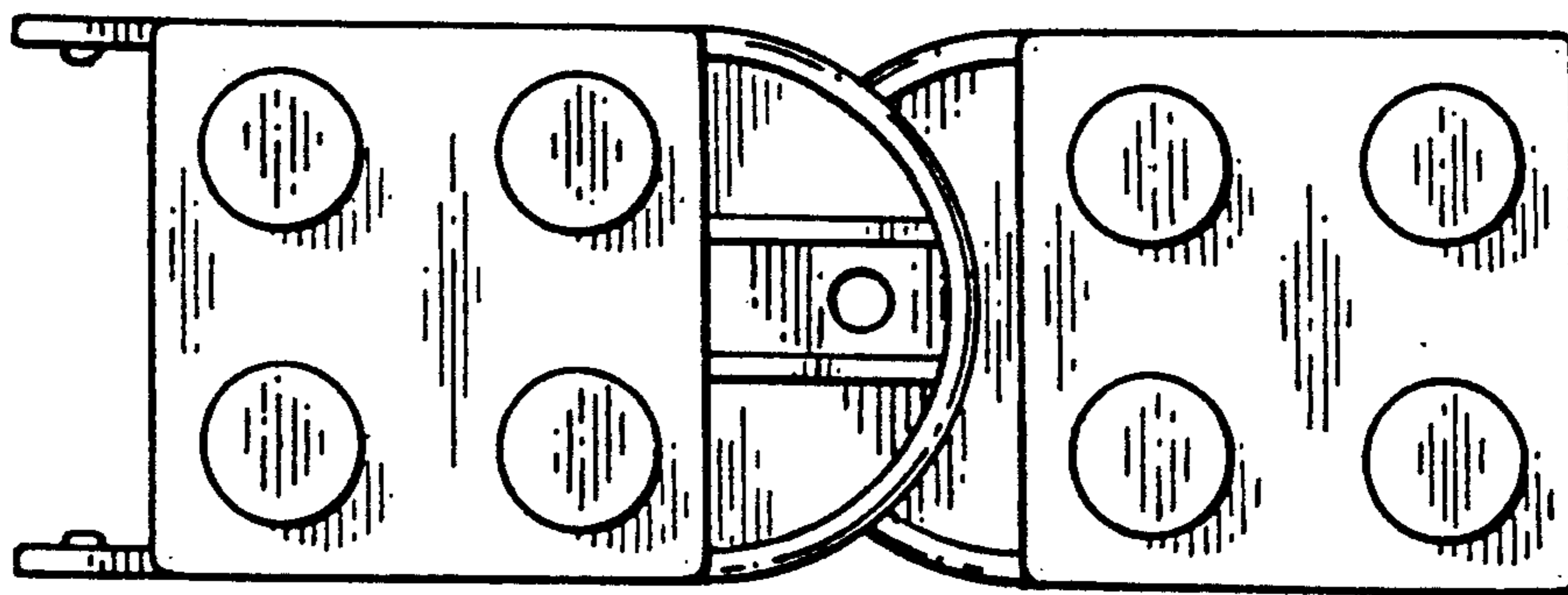
FIG. 1 is a side elevation view of swivel interconnecting toy building blocks in accordance with the present invention;
 FIG. 2 is a top plan view thereof;
 FIG. 3 is one end elevational view;
 FIG. 4 is the other end elevational view;
 FIG. 5 is a bottom plan view;
 FIG. 6 is a top plan view of one of the blocks separated from the other block;
 FIG. 7 is an end elevational view of the block shown in FIG. 6;
 FIG. 8 is a bottom plan view of the block shown in FIG. 6; and,
 FIG. 9 is an end view of the other of the blocks.
 The block in FIGS. 6-9 are shown separately for clarity of illustration only.

- [56] **References Cited**
- U.S. PATENT DOCUMENTS**
- 3,242,610 3/1966 Christiansen D21/108
- 3,487,579 1/1970 Brettingen 446/128
- 4,606,732 8/1986 Lyman 446/128
- 4,744,780 5/1988 Volpe 446/128
- 5,172,534 12/1992 Milner 446/128
- OTHER PUBLICATIONS**
- Tyco Toy Catalog 1987 p. 24 bottom left of page.

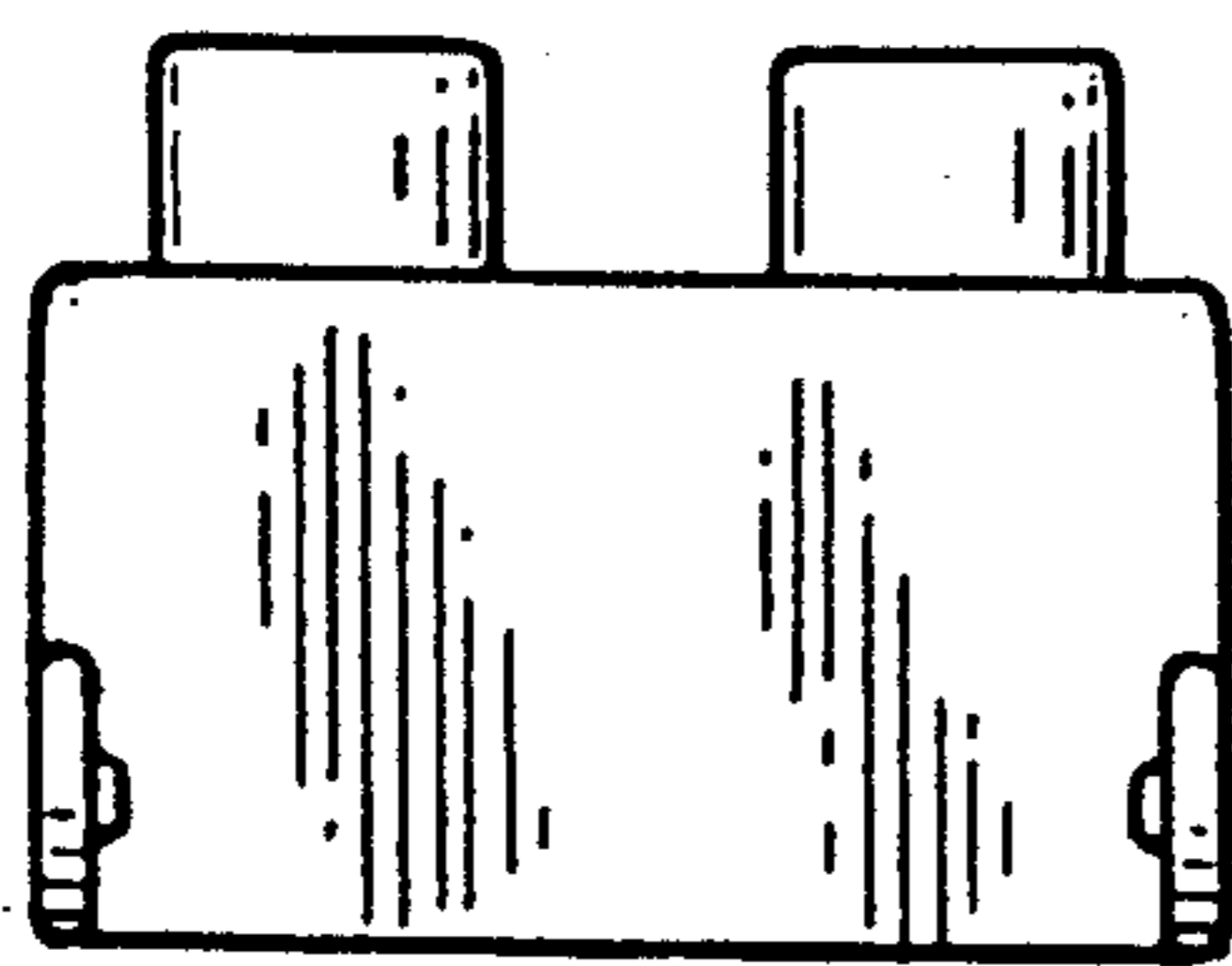




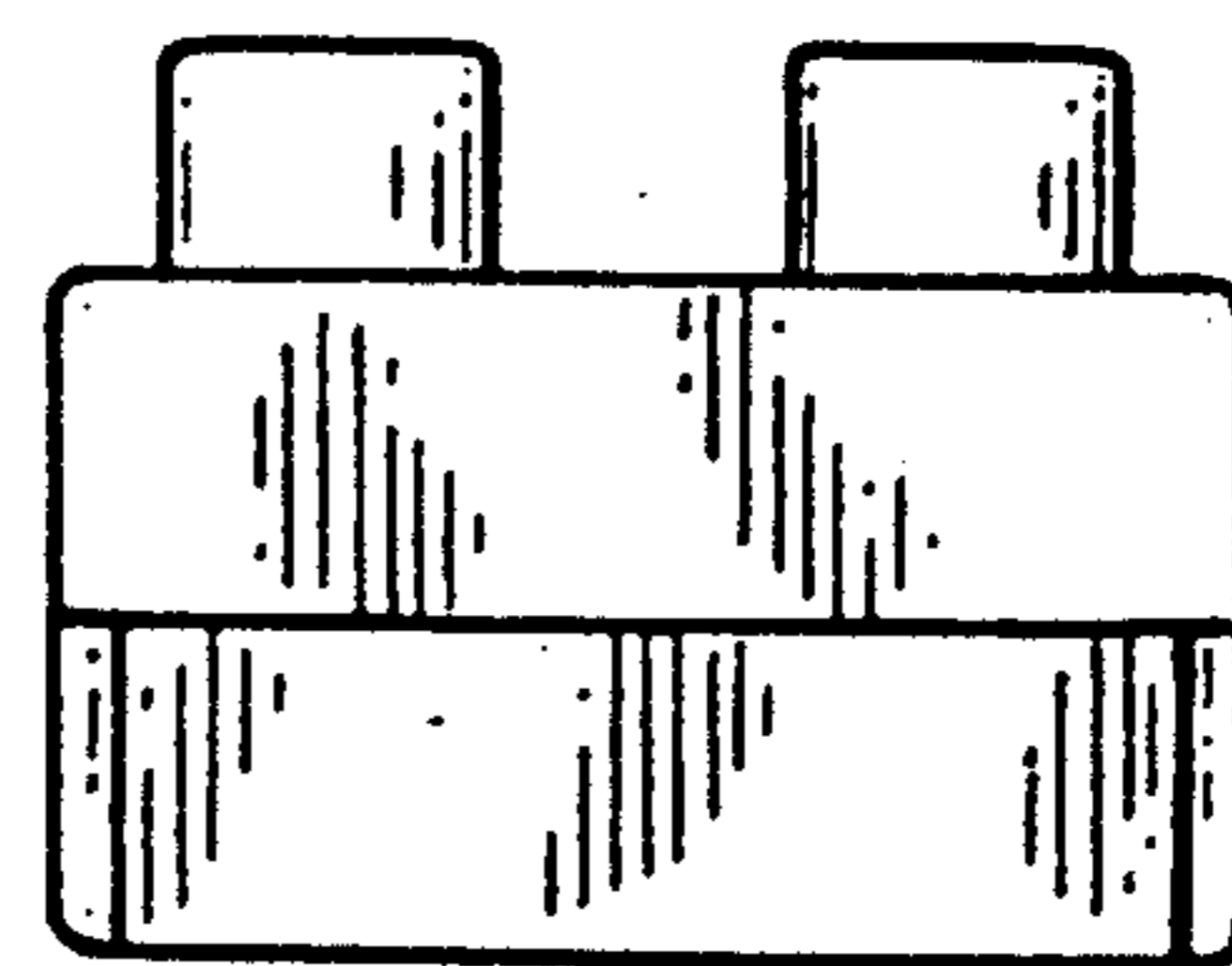
FIG_1



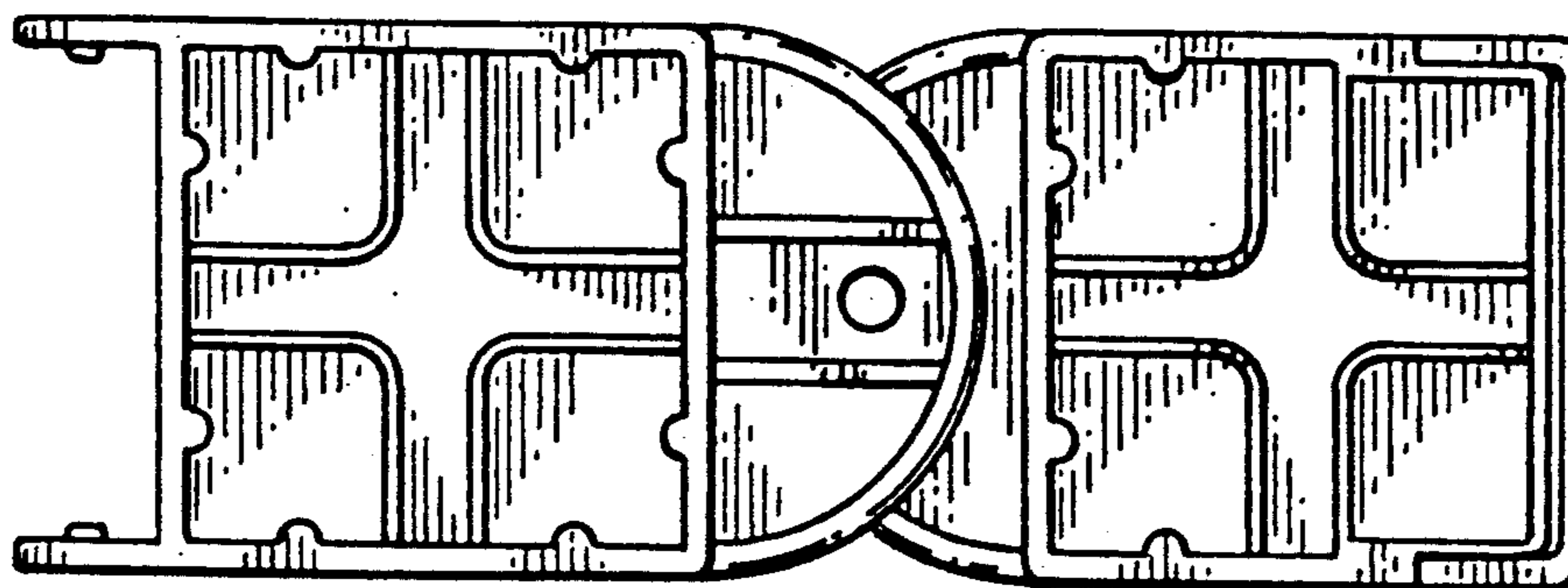
FIG_2



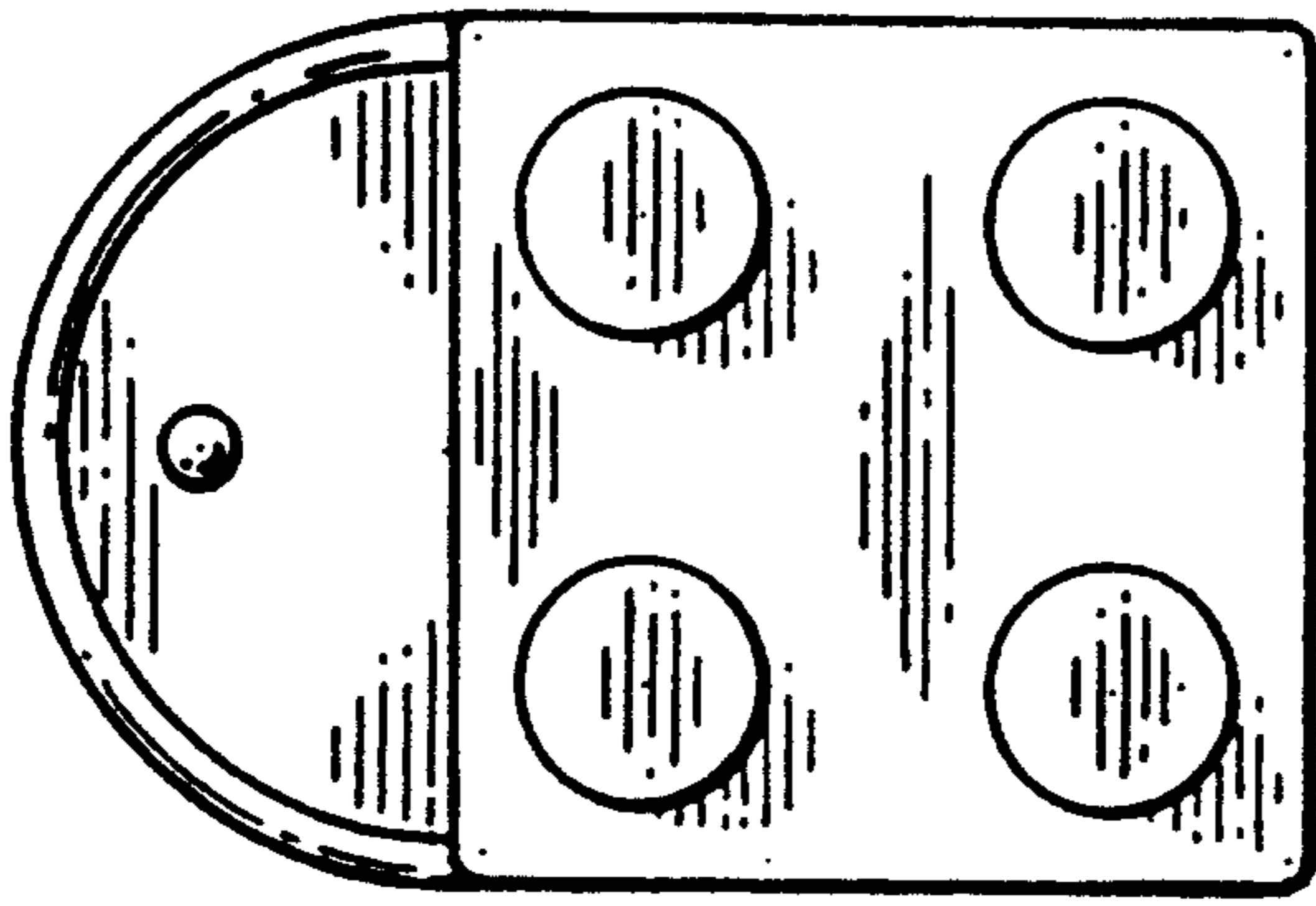
FIG_3



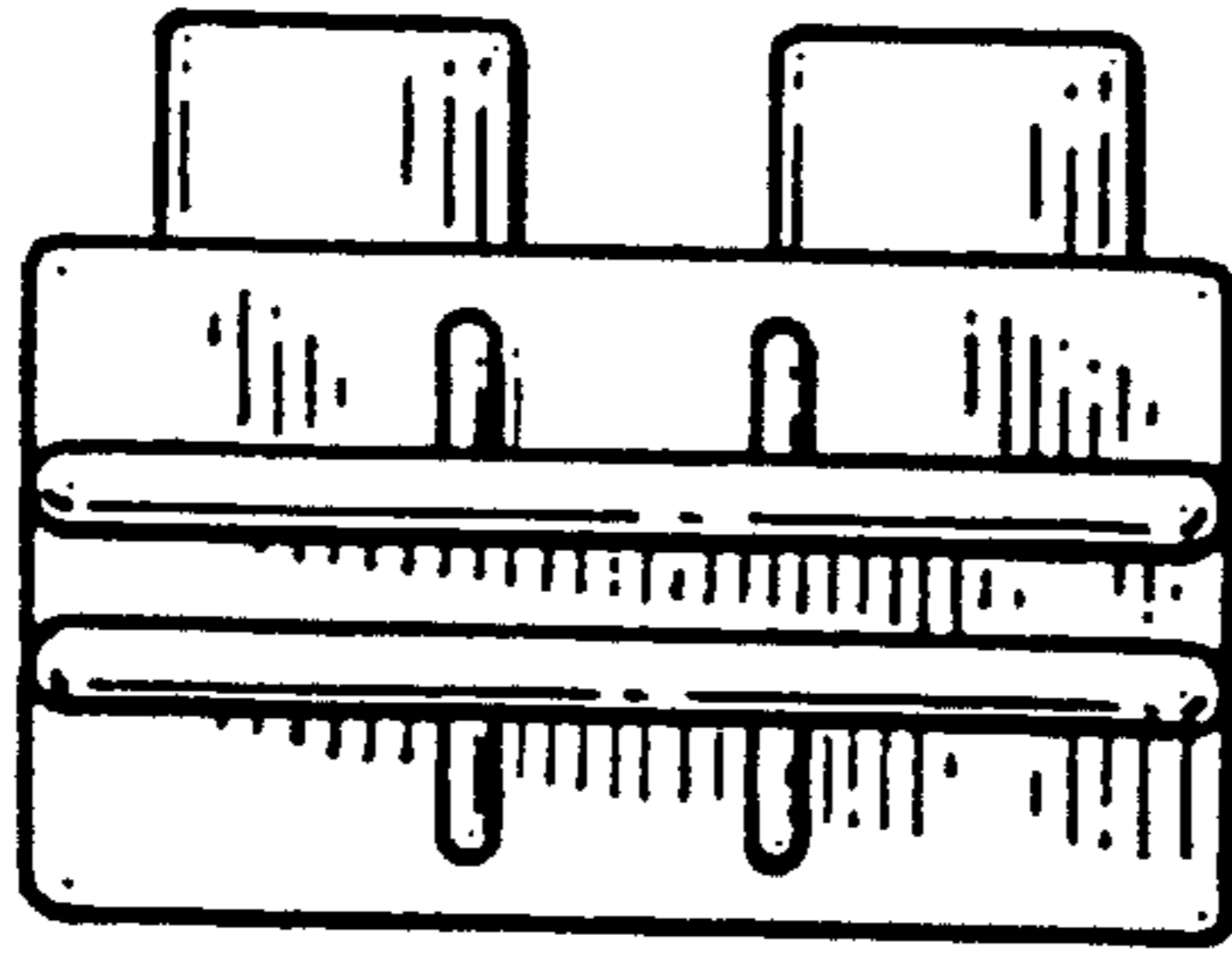
FIG_4



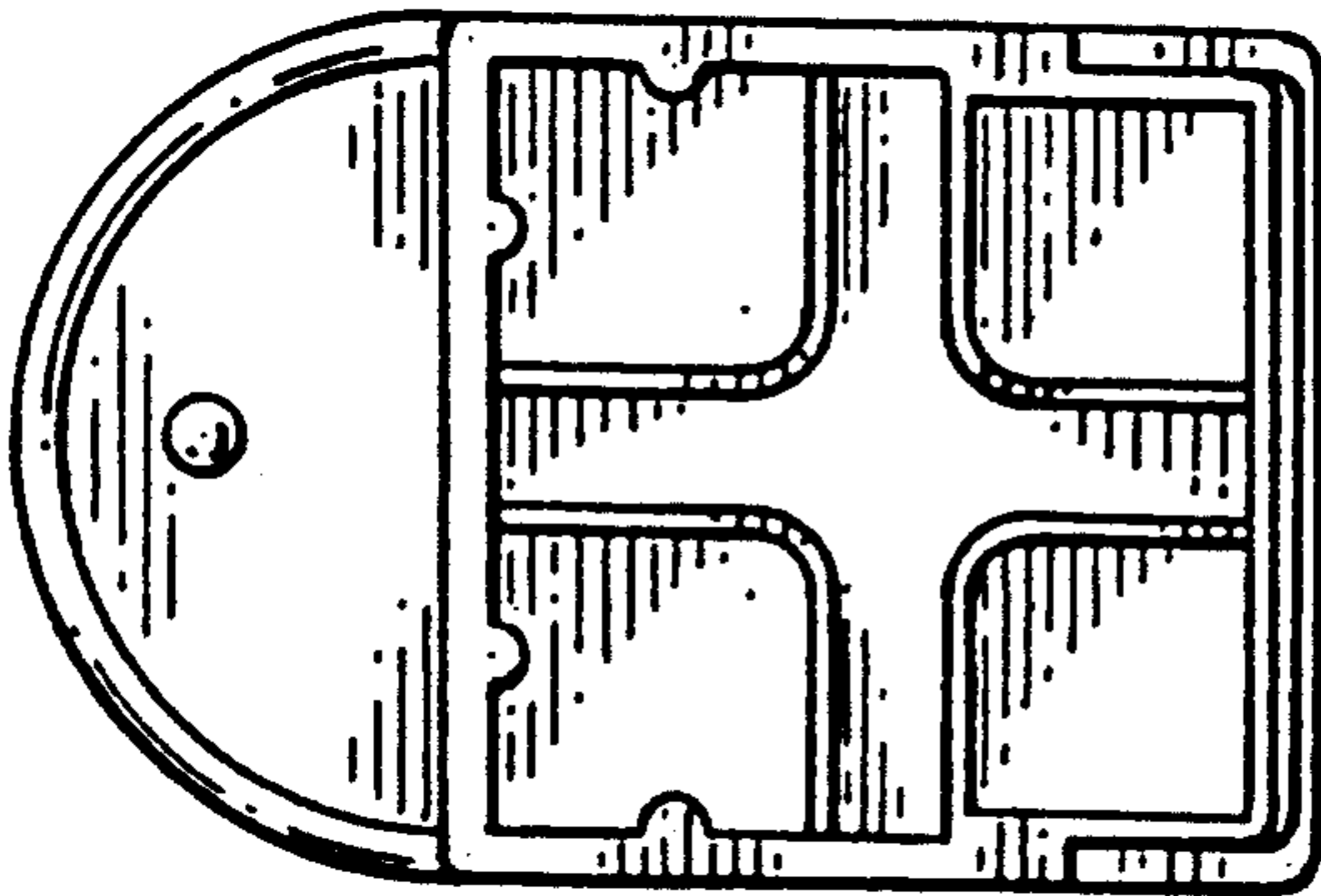
FIG_5



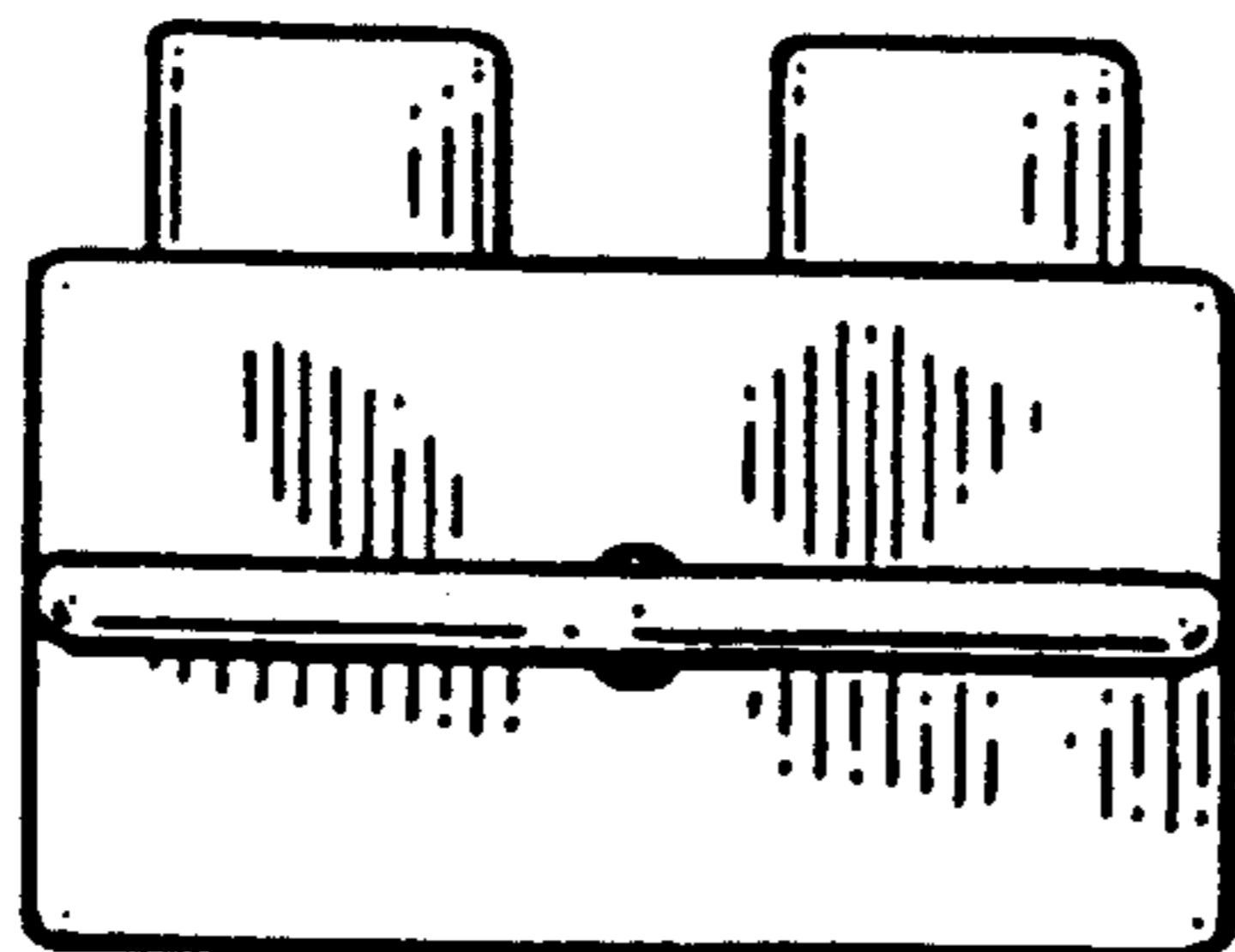
FIG_6



FIG_7



FIG_8



FIG_9