



US00D340741S

United States Patent [19]

Yonezawa et al.

[11] Patent Number: **Des. 340,741**

[45] Date of Patent: **** Oct. 26, 1993**

[54] **PRINTER**

[75] Inventors: **Midori Yonezawa; Masaharu Sawatani**, both of Kanagawa; **Hisashi Nakamura**, Hiroshima, all of Japan

[73] Assignee: **Mitsubishi Denki Kabushiki Kaisha**, Tokyo, Japan

[**] Term: **14 Years**

[21] Appl. No.: **756,143**

[22] Filed: **Sep. 6, 1991**

[30] **Foreign Application Priority Data**

Mar. 8, 1991 [JP] Japan 3-6282

[52] U.S. Cl. **D18/55**

[58] Field of Search D18/50, 54, 55, 37; 400/613-613.4, 691-694, 120; 101/420

[56] **References Cited**

U.S. PATENT DOCUMENTS

- D. 281,256 11/1985 Yamamoto D18/55
- D. 293,247 12/1987 Nakeda D18/55
- D. 305,774 1/1990 Yomo D18/55

- D. 306,744 3/1990 Yomo D18/55
- D. 324,233 2/1992 Sawa et al. D18/54
- D. 325,598 4/1992 Fukuda D18/55
- D. 326,473 5/1992 Kishi et al. D18/55
- D. 327,907 7/1992 Sawa D18/54

FOREIGN PATENT DOCUMENTS

- 694446 8/1986 Japan D18/55
- 753234 10/1988 Japan D18/55

Primary Examiner—A. Hugo Word
Assistant Examiner—CathyAnne MacCormac
Attorney, Agent, or Firm—Leydig, Voit & Mayer

[57] **CLAIM**

The ornamental design for a printer, as shown.

DESCRIPTION

FIG. 1 is a perspective view of the printer of the present invention;
FIG. 2 is a front view of the printer of FIG. 1;
FIG. 3 is a right side view of the printer of FIG. 1;
FIG. 4 is a top view of the printer of FIG. 1;
FIG. 5 is a left side view of the printer of FIG. 1;
FIG. 6 is a rear view of the printer of FIG. 1; and,
FIG. 7 is an underside view of the printer of FIG. 1.

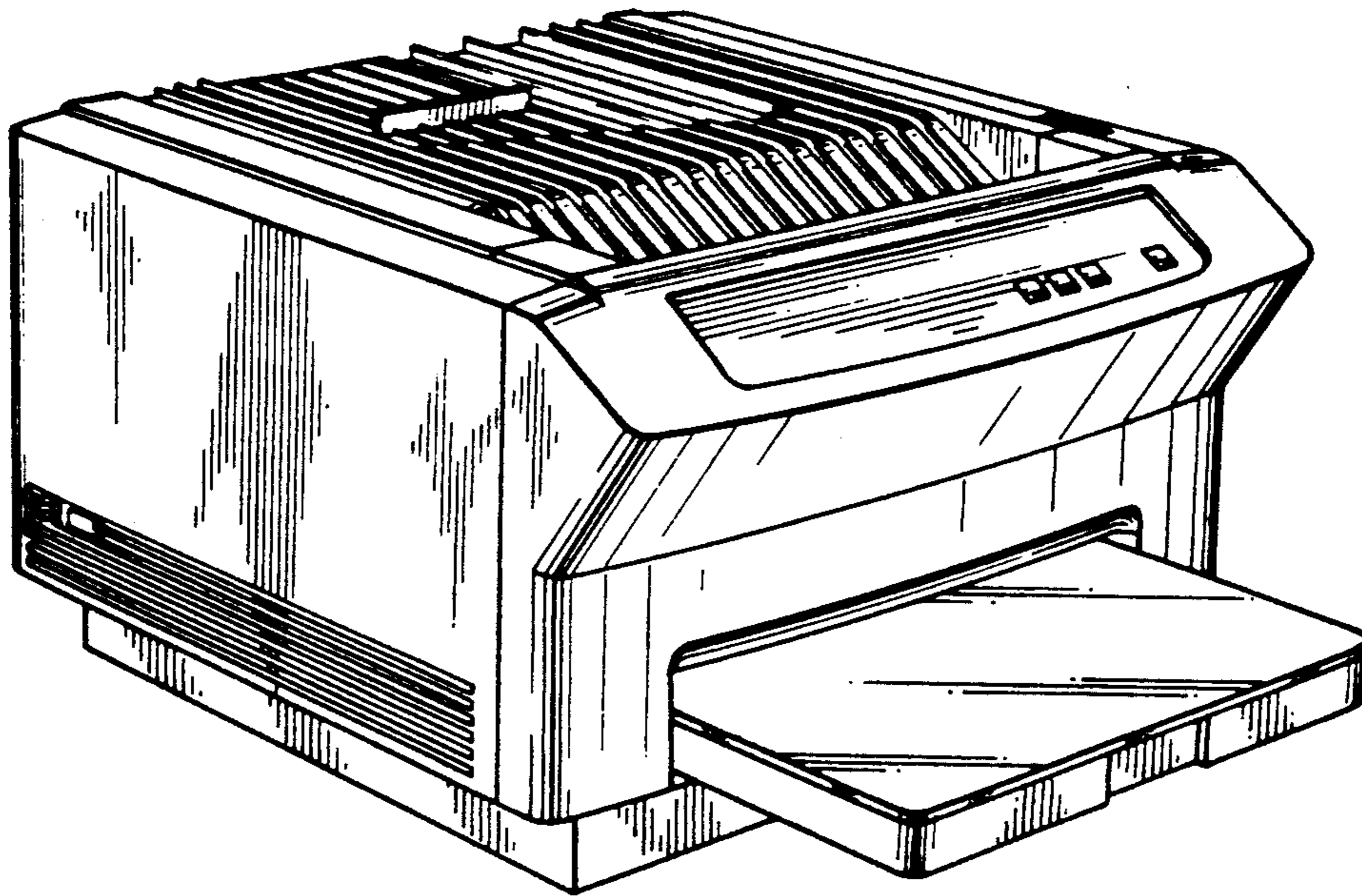


FIG. 1

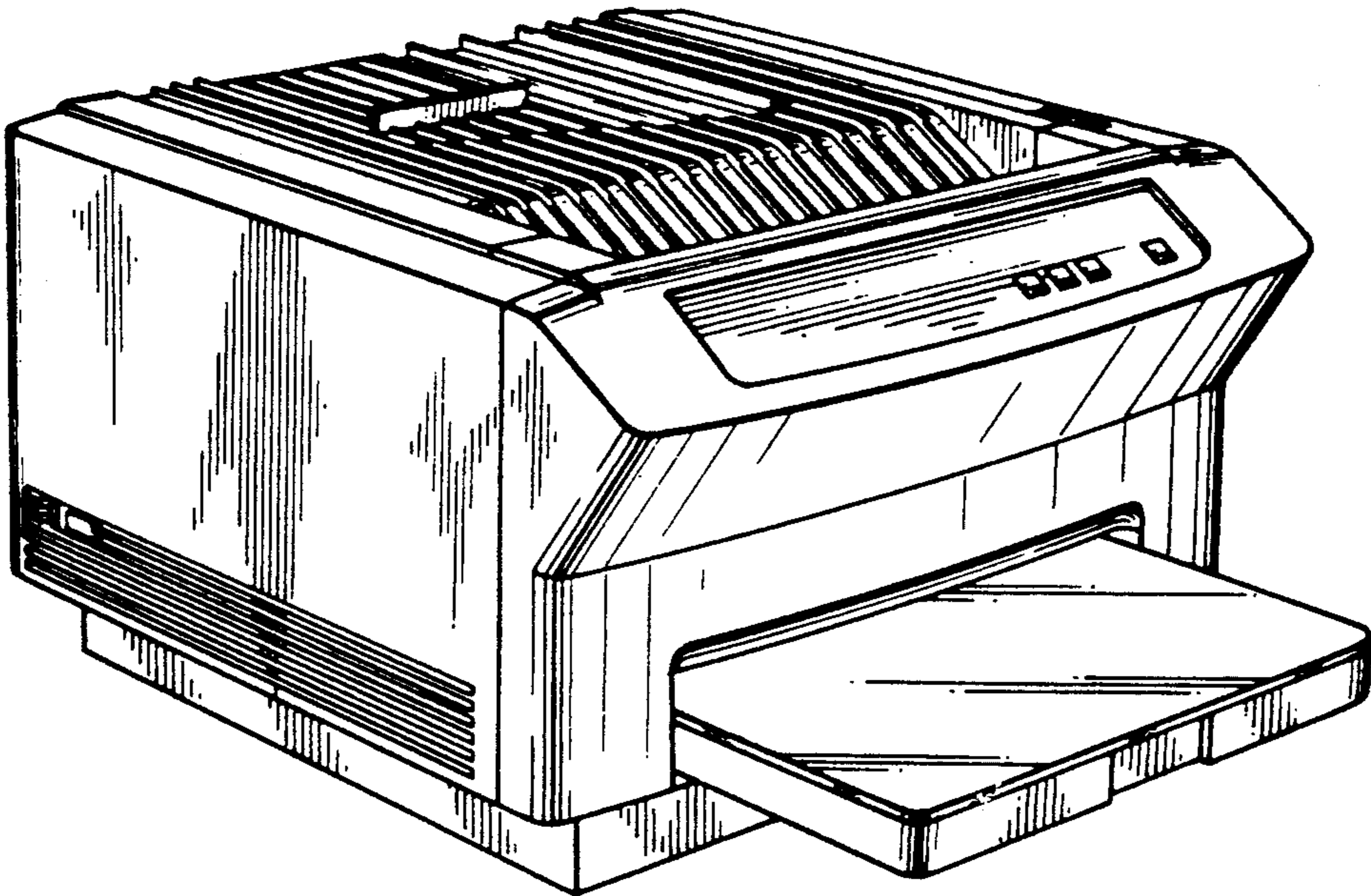


FIG. 2

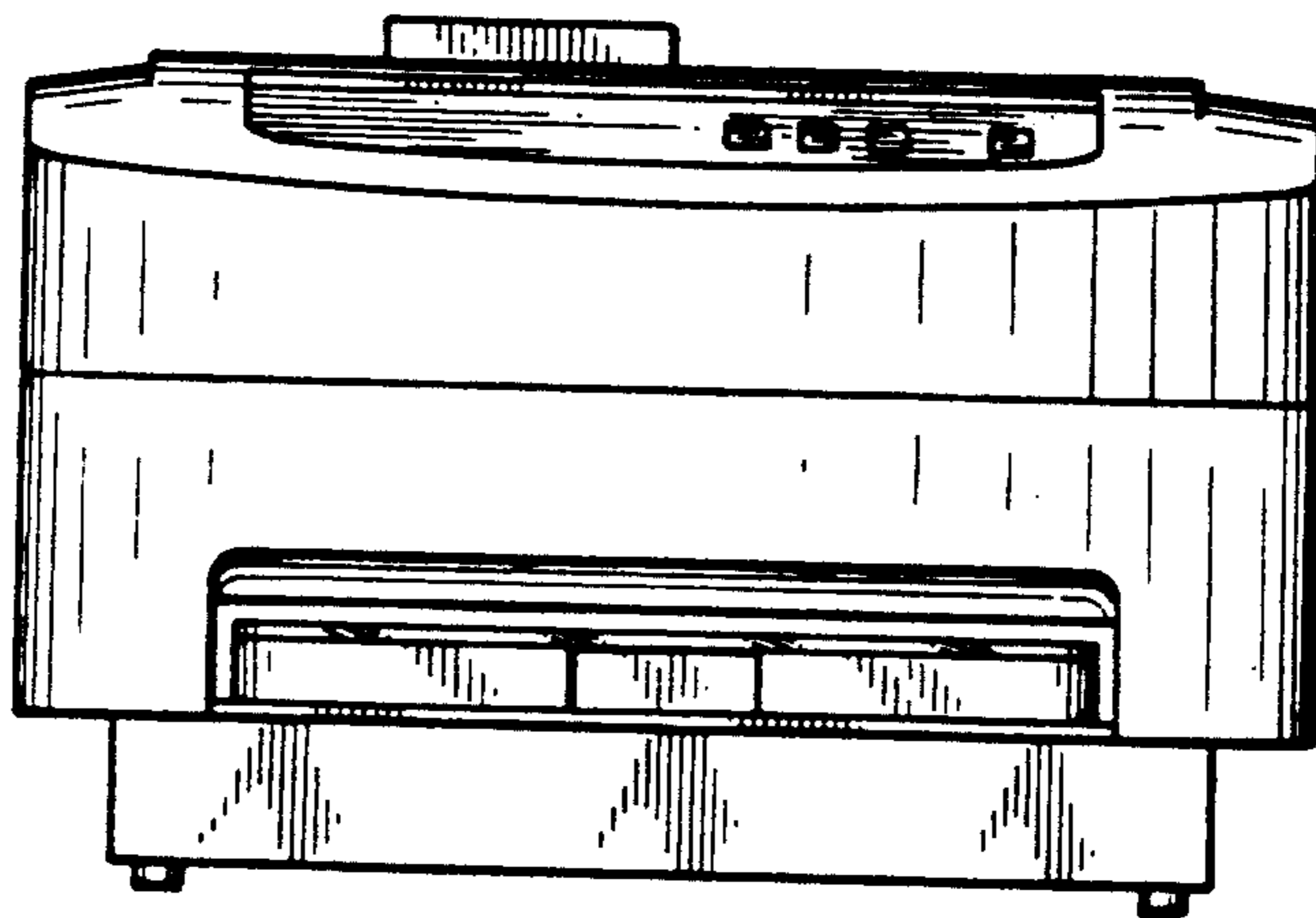


FIG. 3

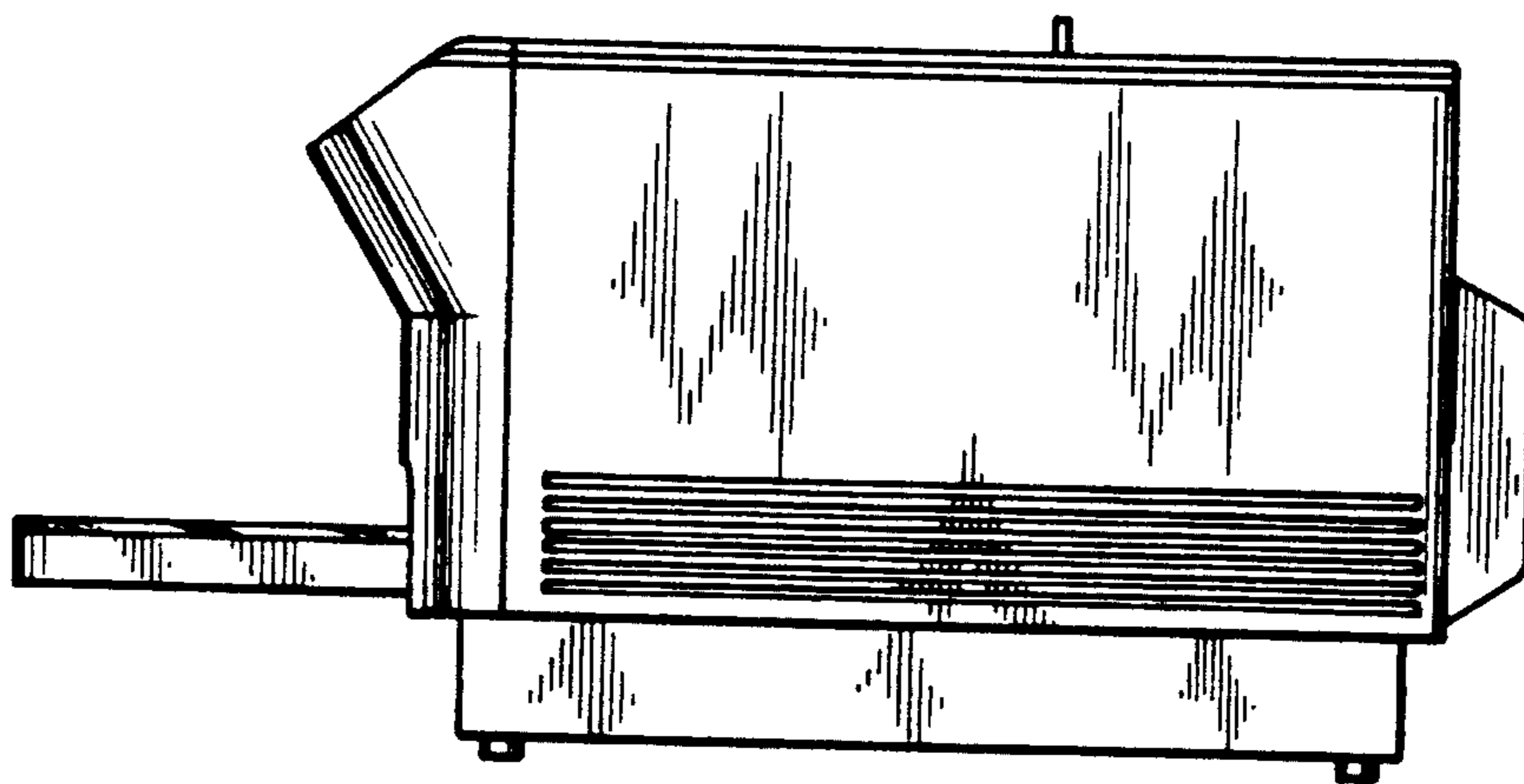


FIG. 4

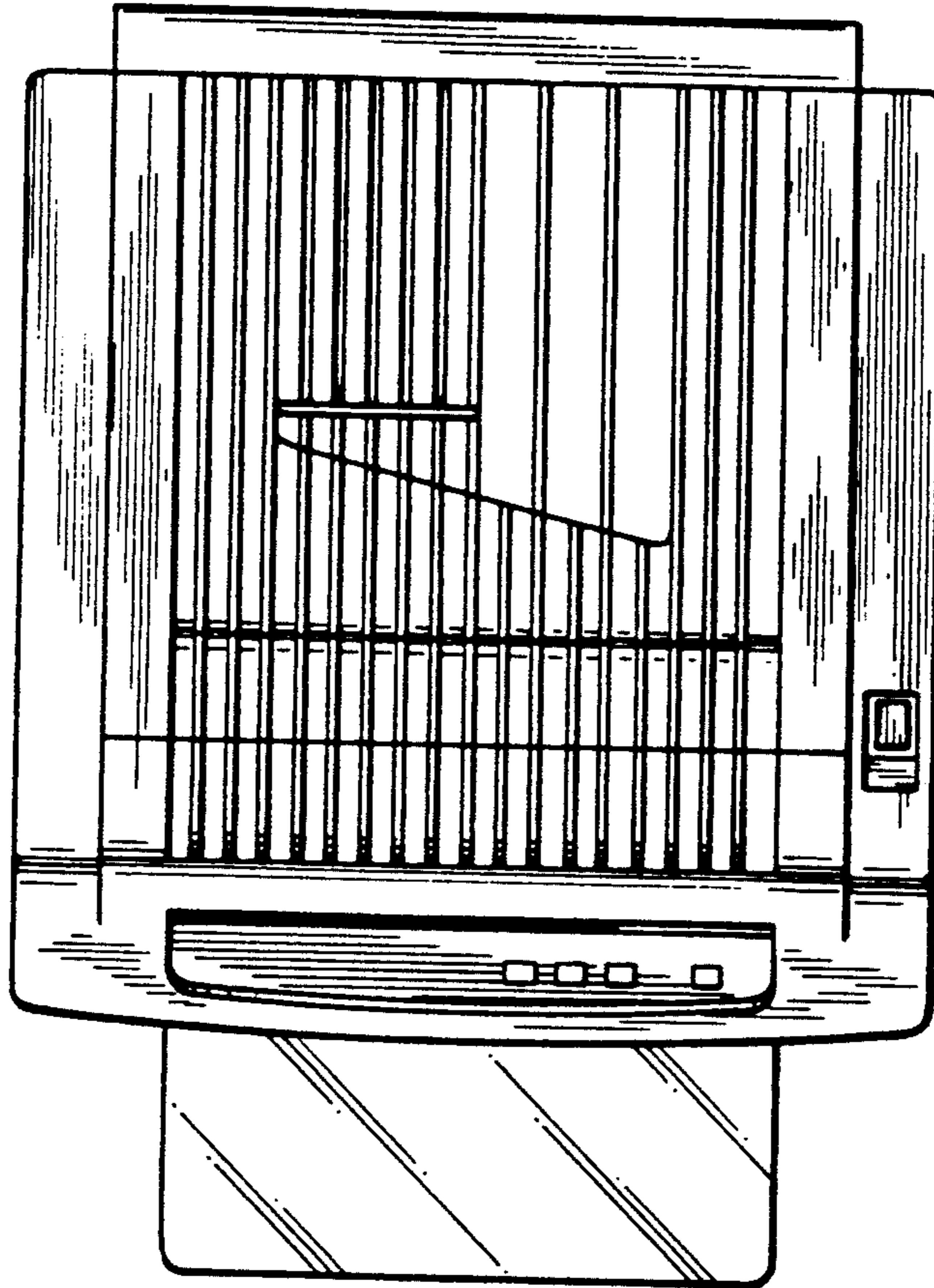


FIG. 5

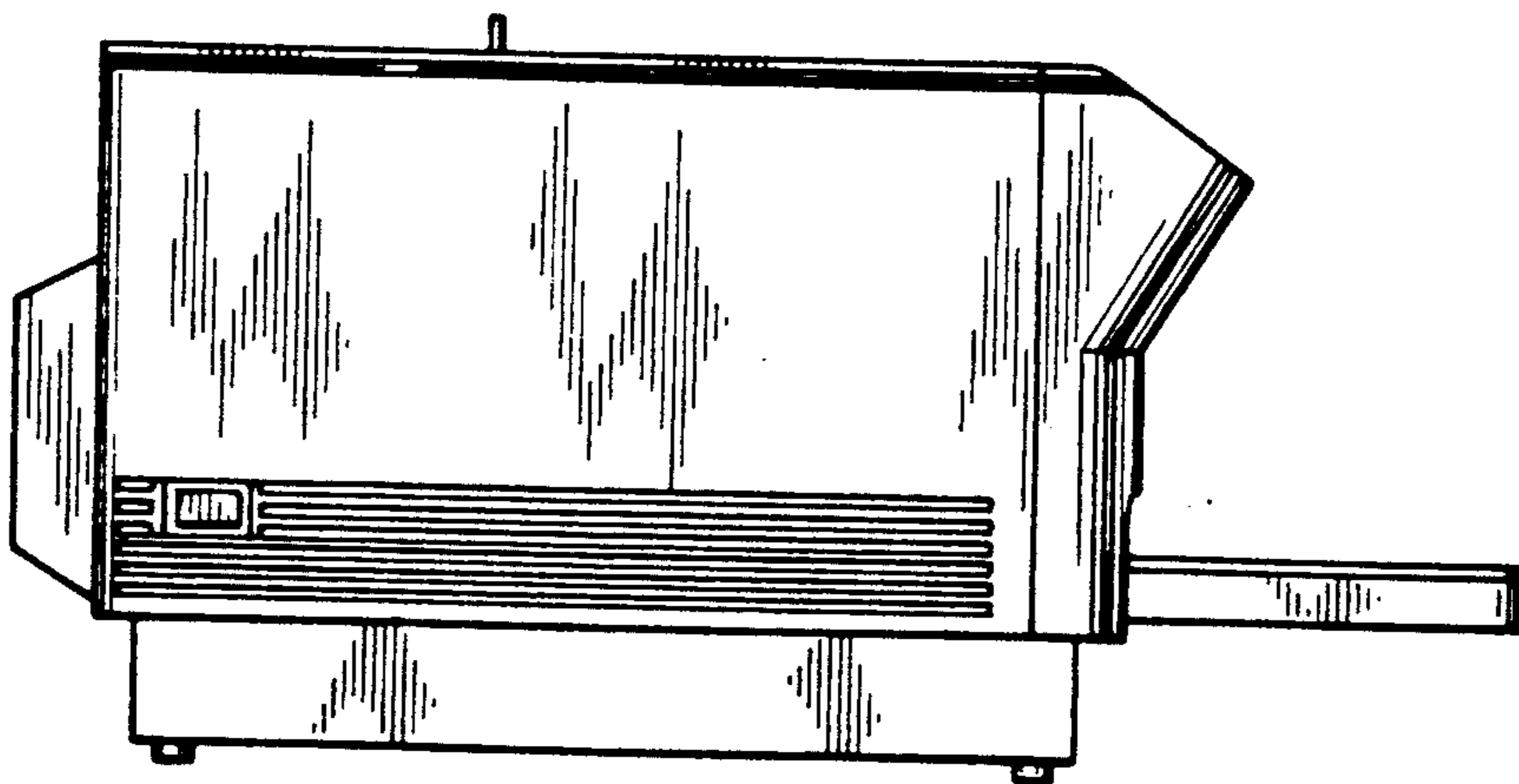


FIG. 6

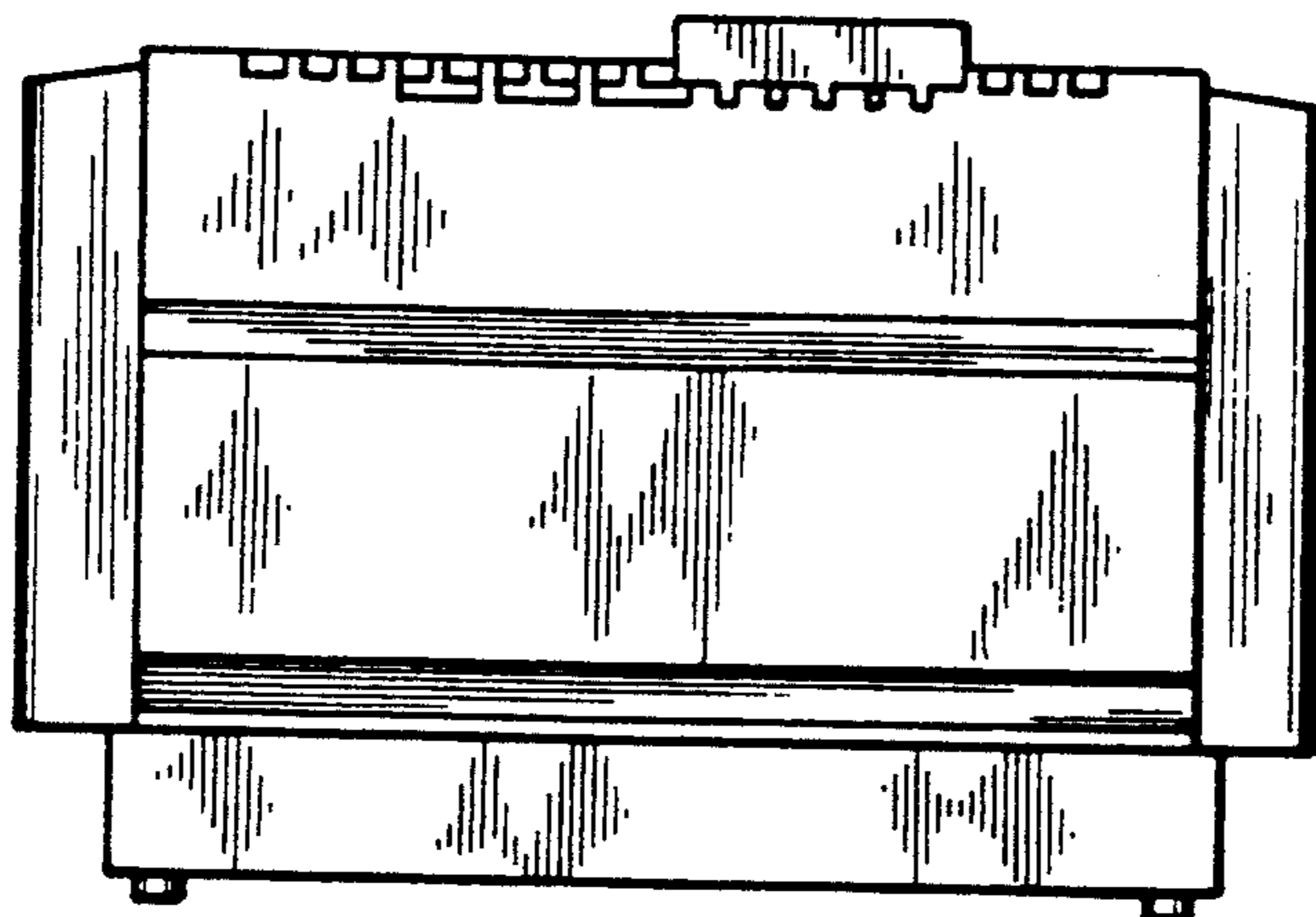


FIG. 7

