



US00D340740S

United States Patent [19] Kawashima

[11] Patent Number: **Des. 340,740**

[45] Date of Patent: **** Oct. 26, 1993**

[54] **PRINTER FOR A COMPUTER**

[75] Inventor: **Tsunemi Kawashima**, Tokyo, Japan

[73] Assignee: **Seikosha Co., Ltd.**, Tokyo, Japan

[**] Term: **14 Years**

[21] Appl. No.: **736,892**

[22] Filed: **Jul. 26, 1991**

[52] U.S. Cl. **D18/50**

[58] Field of Search **D18/14-15,
D18/19-21, 50, 54-55; 400/691-694, 613,
613.1-613.4, 88, 120; 101/420; D3/30.1**

[56] **References Cited**

U.S. PATENT DOCUMENTS

D. 299,346	1/1989	Lehman	D18/54
D. 322,278	12/1991	Kawashima et al.	D18/54
D. 322,982	1/1992	Tashiro	D18/54
D. 323,344	1/1992	Umino et al.	D18/54
D. 326,278	5/1992	Grosse	D18/54
4,759,646	7/1988	Piatt	D18/50
4,781,480	11/1988	Kikuchi et al.	400/691
4,790,431	12/1988	Reel et al.	400/691
5,028,935	7/1991	Warmack et al.	D18/55
5,061,097	10/1991	Piatt	400/691
5,182,697	1/1993	I-Shou	400/691

FOREIGN PATENT DOCUMENTS

67870 1/1991 Canada **D18/55**
753153 1/1989 Japan **D18/50**

OTHER PUBLICATIONS

Bell & Co. Catalog; Nov. 1989; p. 29; Item 4 Star Color Impact Printer.

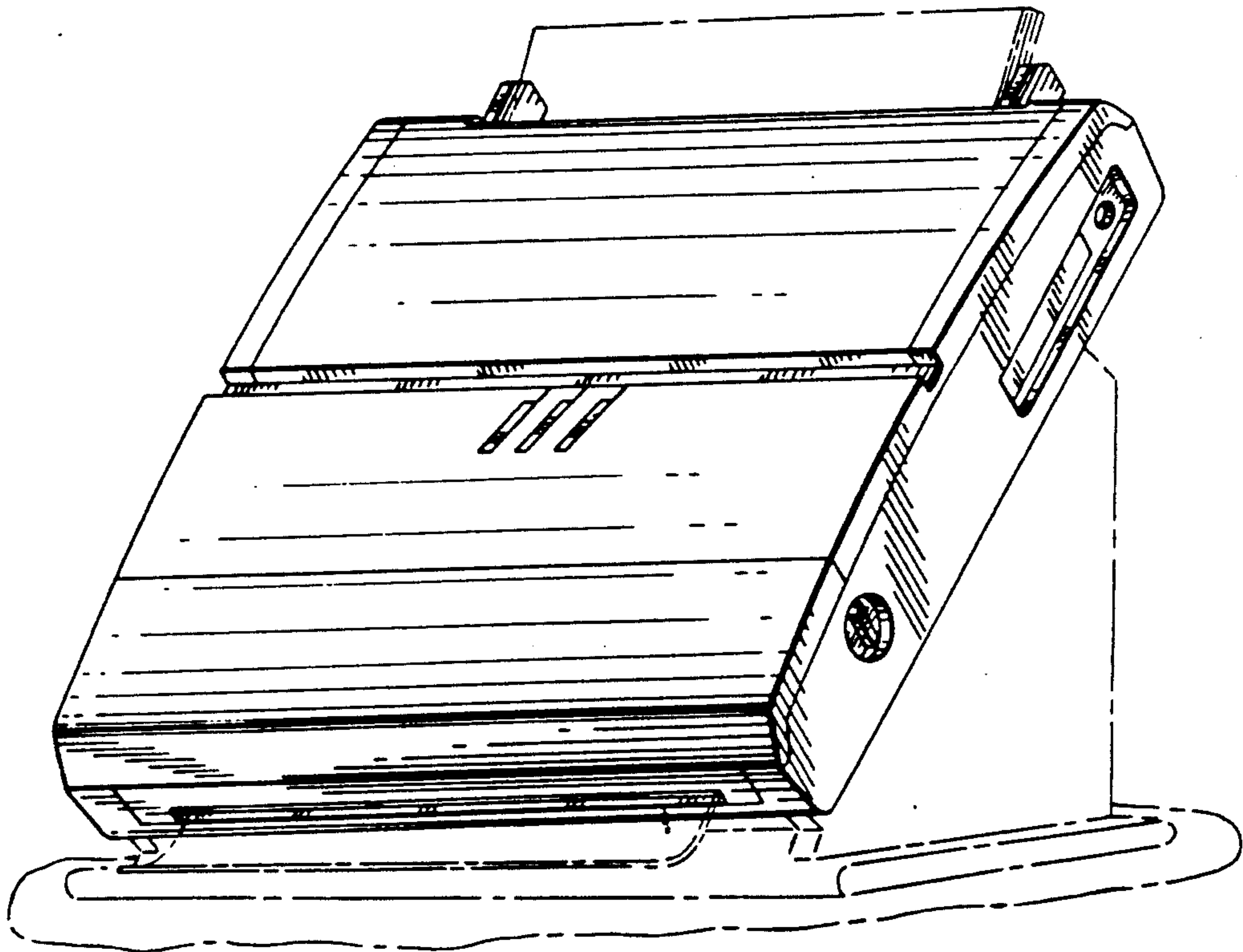
Primary Examiner—A. Hugo Word
Assistant Examiner—Cathy Anne MacCormac
Attorney, Agent, or Firm—Jordan and Hamburg

[57] **CLAIM**

The ornamental design for a printer for a computer, as shown and described.

DESCRIPTION

FIG. 1 is a perspective view of a printer for a computer; FIG. 2 is a front view of the printer for a computer; FIG. 3 is a left side view of the printer for a computer; FIG. 4 is a right side view of the printer for a computer; FIG. 5 is a rear view of the printer for a computer; FIG. 6 is a top plan view of the printer for a computer; FIG. 7 is a bottom plan view of the printer for a computer; FIG. 8 is a central vertical view in section taken along the line 8—8 in FIG. 2 with the inner mechanism omitted; and, FIG. 9 is a perspective view showing the printer for a computer in a position as used on a stand.



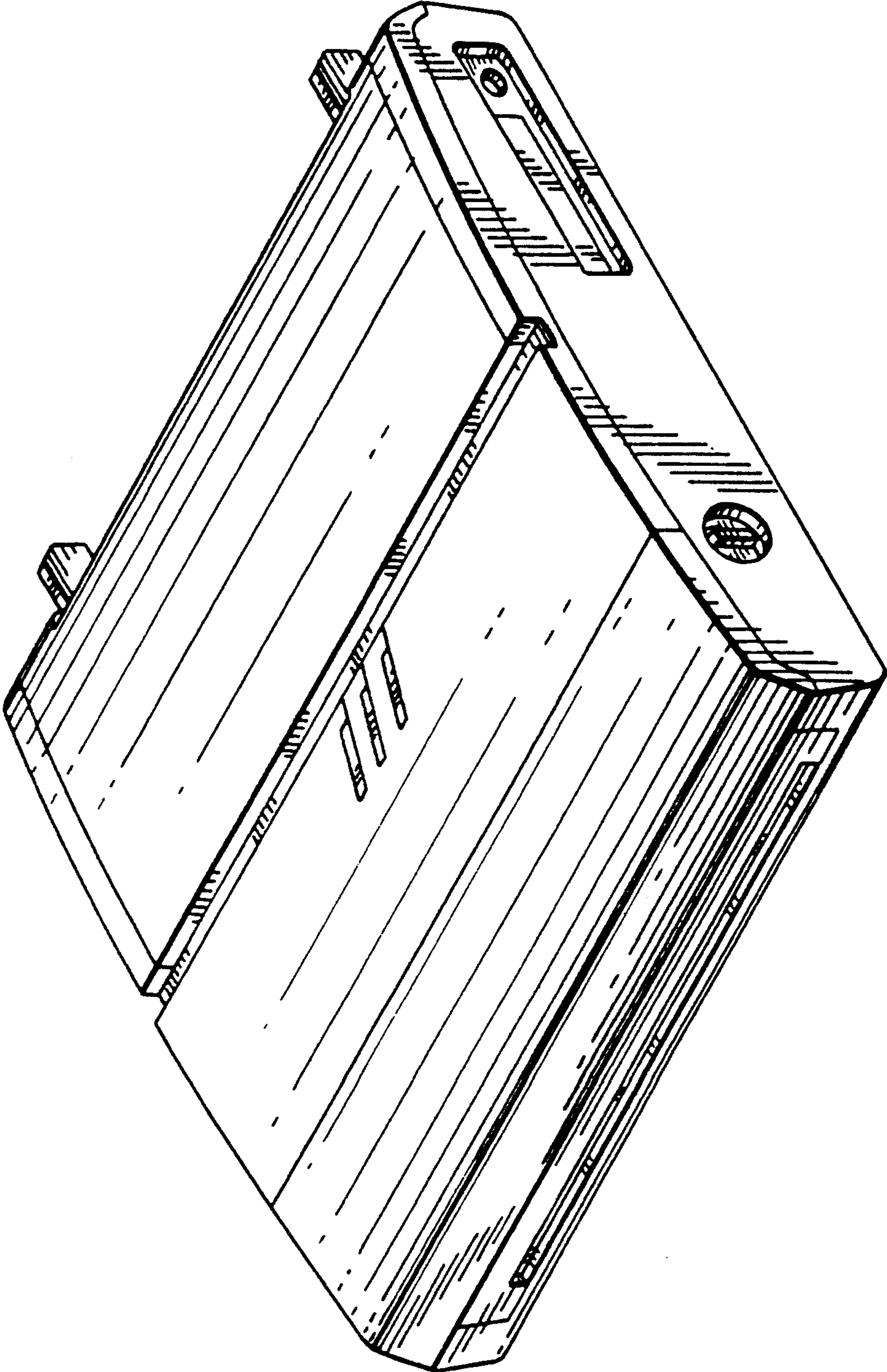


FIG. 1

FIG. 4

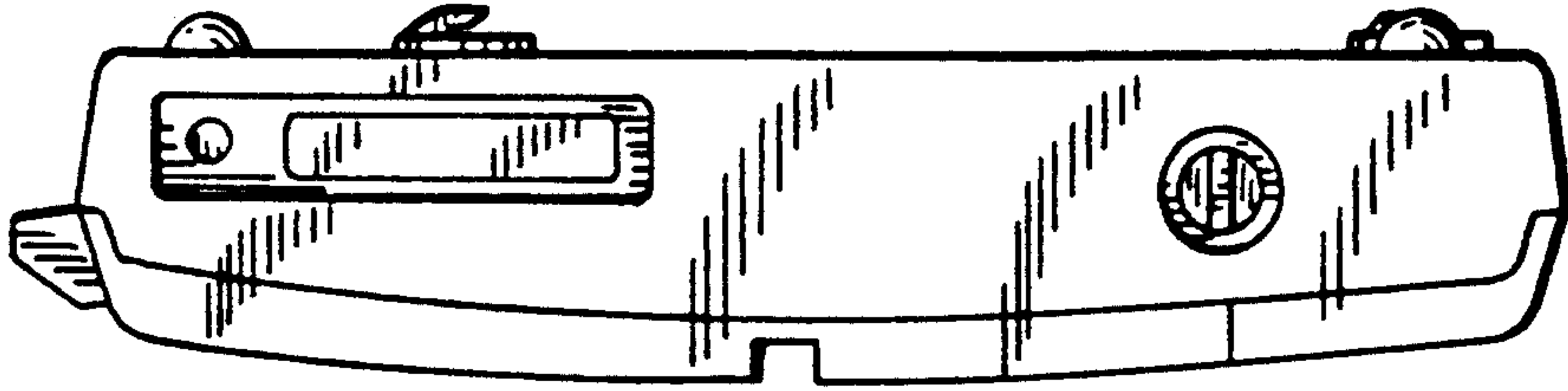


FIG. 2

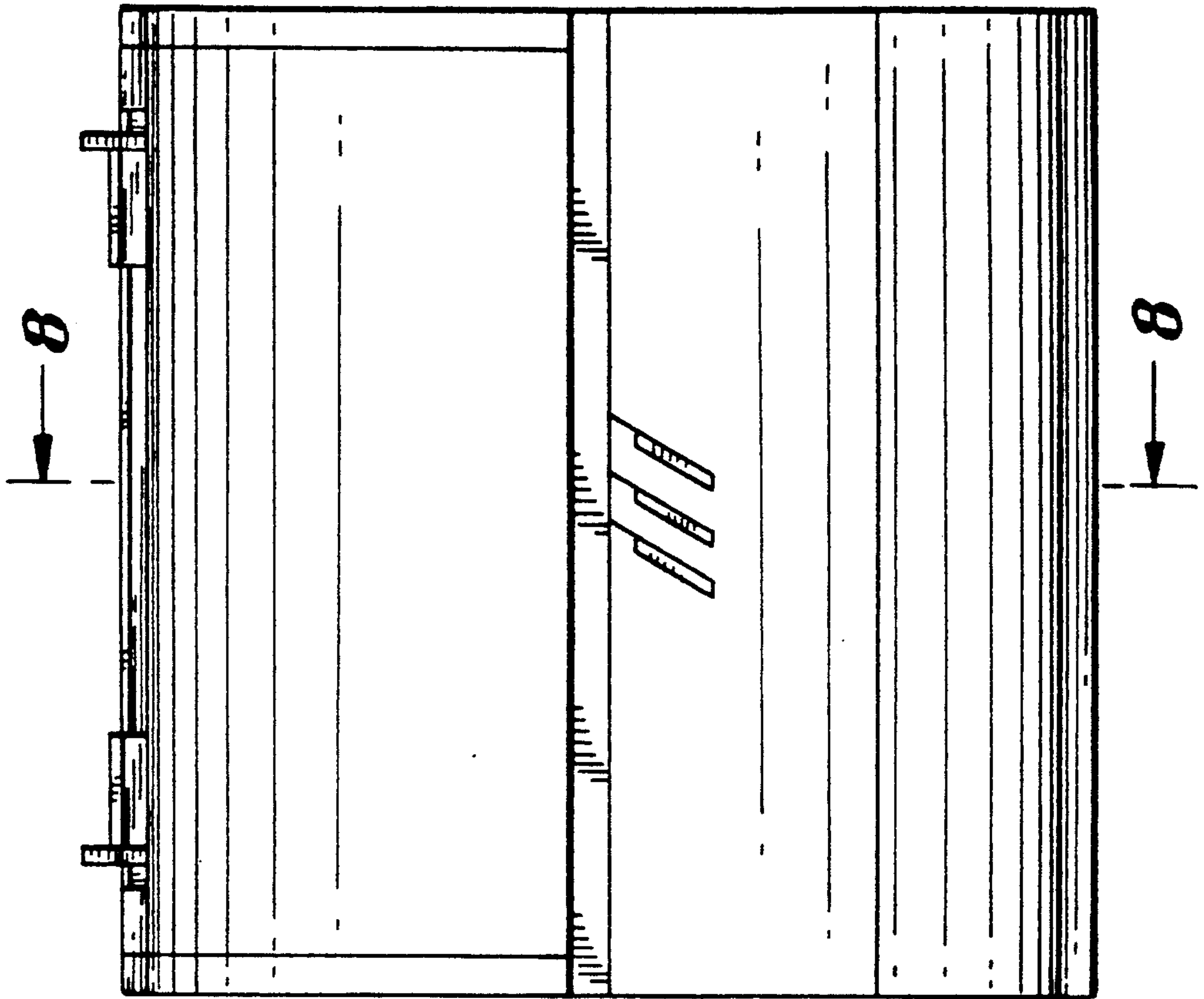


FIG. 3

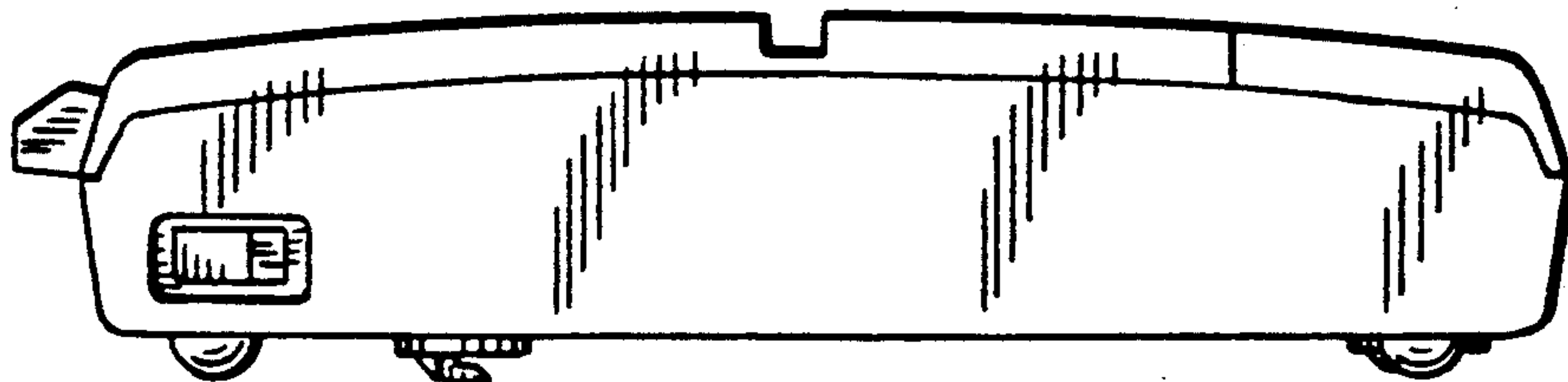


FIG. 5

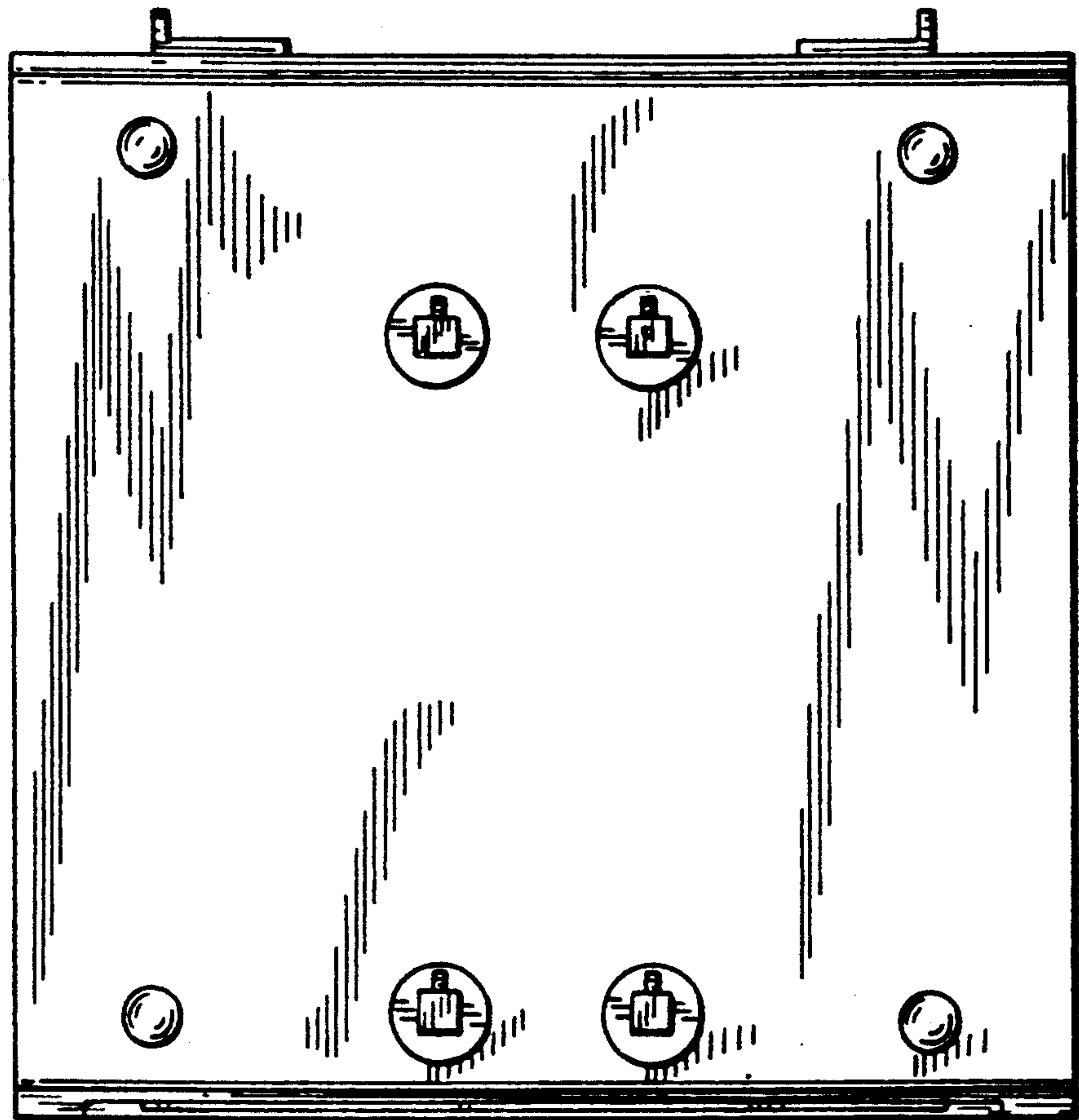


FIG. 6

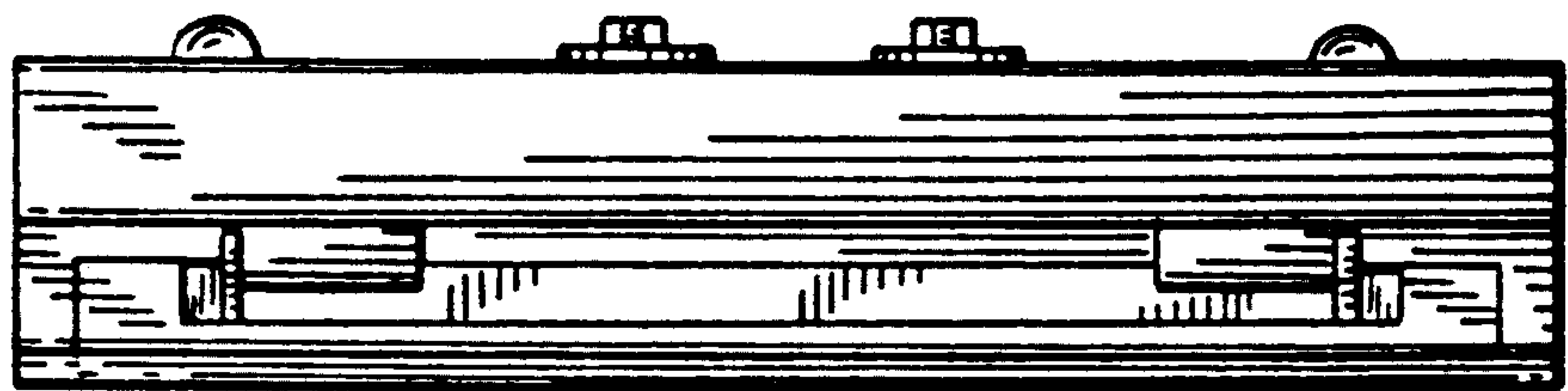


FIG. 7

FIG. 9

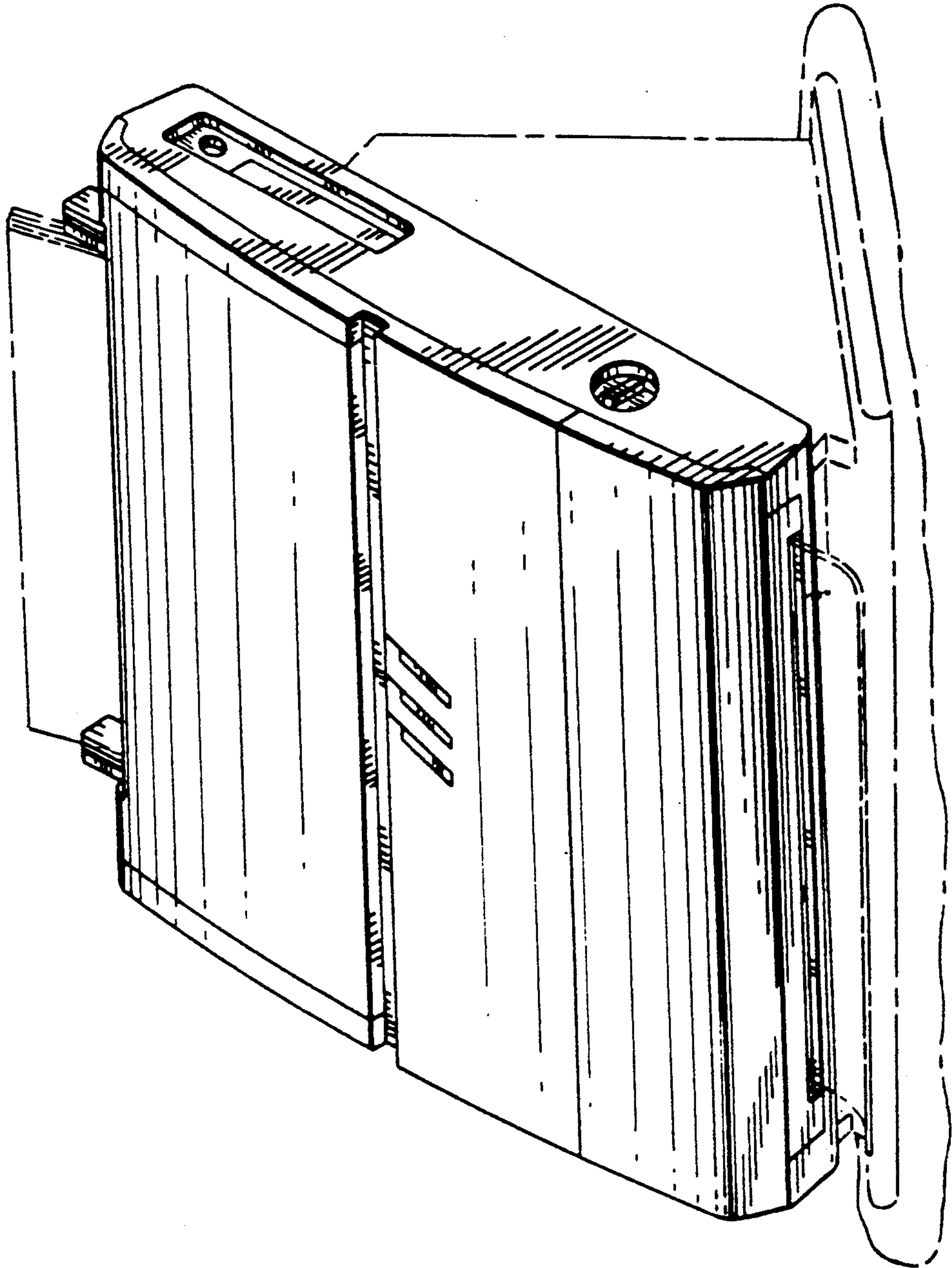


FIG. 8

